



US00D902347S

(12) **United States Design Patent**
Gutekunst et al.

(10) **Patent No.:** **US D902,347 S**

(45) **Date of Patent:** **** Nov. 17, 2020**

(54) **MODULAR FRAME FOR A BACKPACK
SPRAYER**

(71) Applicant: **Chapin Manufacturing, Inc.**, Batavia,
NY (US)

(72) Inventors: **Greg Gutekunst**, East Aurora, NY
(US); **David Dubiel**, N. Chili, NY (US)

(73) Assignee: **Chapin Manufacturing, Inc.**, Batavia,
NY (US)

(**) Term: **15 Years**

(21) Appl. No.: **29/683,614**

(22) Filed: **Mar. 14, 2019**

(51) **LOC (12) Cl.** **23-01**

(52) **U.S. Cl.**
USPC **D23/223**

(58) **Field of Classification Search**
USPC D23/201, 202, 206, 211.1, 223–227, 247;
D30/121, 132; D3/216
CPC A01K 7/00; B05B 9/08; B05B 9/0805;
B05B 9/0811; B05B 9/0816; B05B
9/0822

See application file for complete search history.

(56) **References Cited**

U.S. PATENT DOCUMENTS

4,690,331 A * 9/1987 Luchsinger B05B 9/0877
239/333
5,335,853 A * 8/1994 Wirz B05B 9/0877
239/142
D633,984 S * 3/2011 Plantz A01M 7/0046
D23/202
D672,848 S * 12/2012 Wirz Luchsinger D23/202

D685,057 S * 6/2013 Wirz Luchsinger D23/202
D719,638 S * 12/2014 Pagliai B05B 9/0877
D23/225
D721,161 S * 1/2015 Yam B05B 9/0877
D23/225
D749,192 S * 2/2016 Fontaine D23/225
D760,350 S * 6/2016 Wirz Luchsinger D23/225
2006/0261181 A1* 11/2006 Wirz A01M 7/0046
239/146
2016/0038960 A1* 2/2016 Fontaine B05B 9/0861
239/332

* cited by examiner

Primary Examiner — Sheryl Lane

Assistant Examiner — Calvin E Vansant

(74) *Attorney, Agent, or Firm* — Woods Oviatt Gilman
LLP; Katherine H. McGuire, Esq.

(57) **CLAIM**

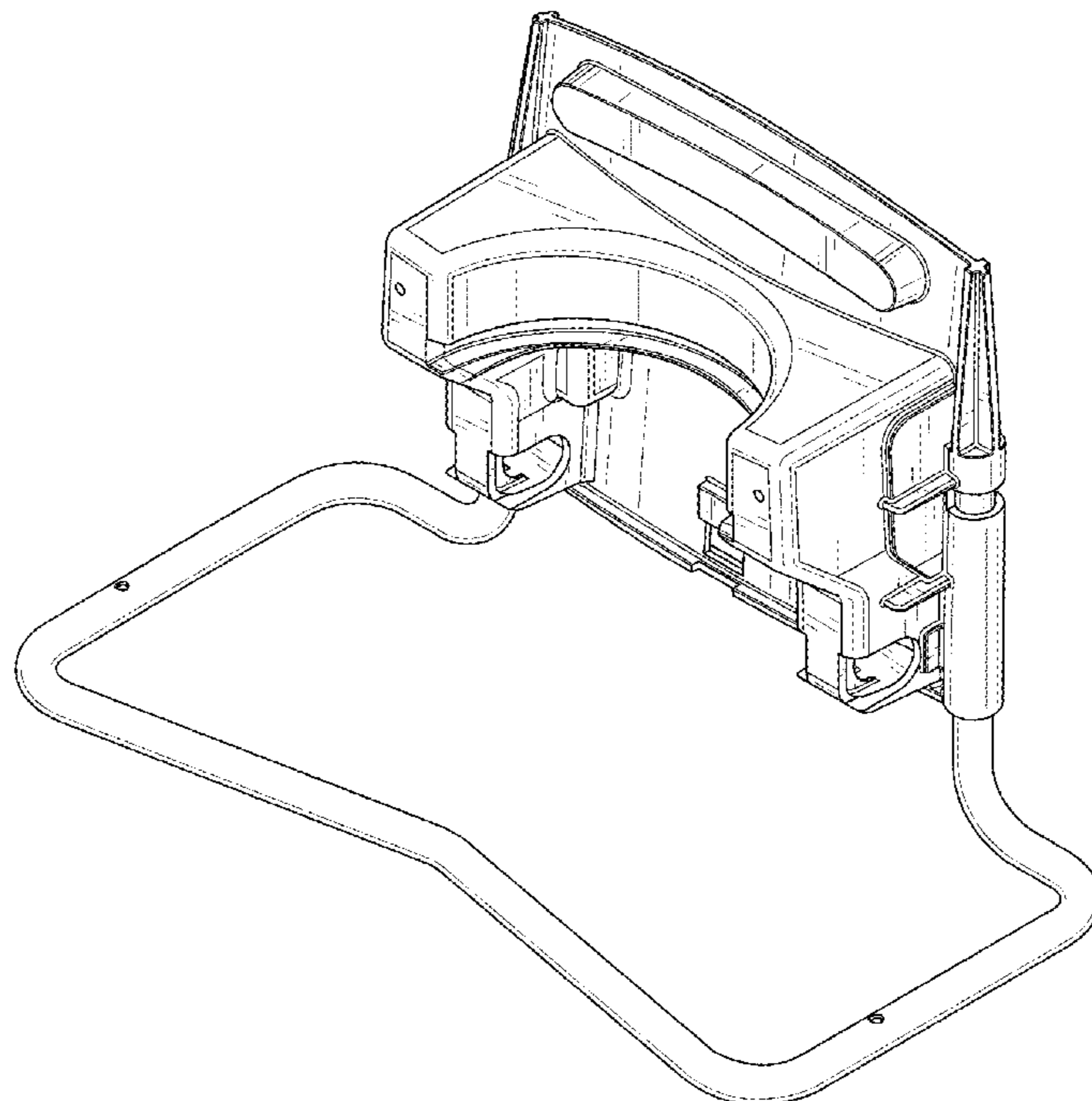
The ornamental design of a modular frame for a backpack
sprayer, as shown and described.

DESCRIPTION

FIG. 1 is a front perspective view of a modular frame for a
backpack sprayer of our new design shown in environment;
FIG. 2 is a front view thereof;
FIG. 3 is a back view thereof;
FIG. 4 is a left side view thereof;
FIG. 5 is a right side view thereof;
FIG. 6 is a top view thereof; and,
FIG. 7 is a bottom view thereof.

The broken lines depict portions of the modular frame for a
backpack sprayer that form no part of the claim.

1 Claim, 7 Drawing Sheets



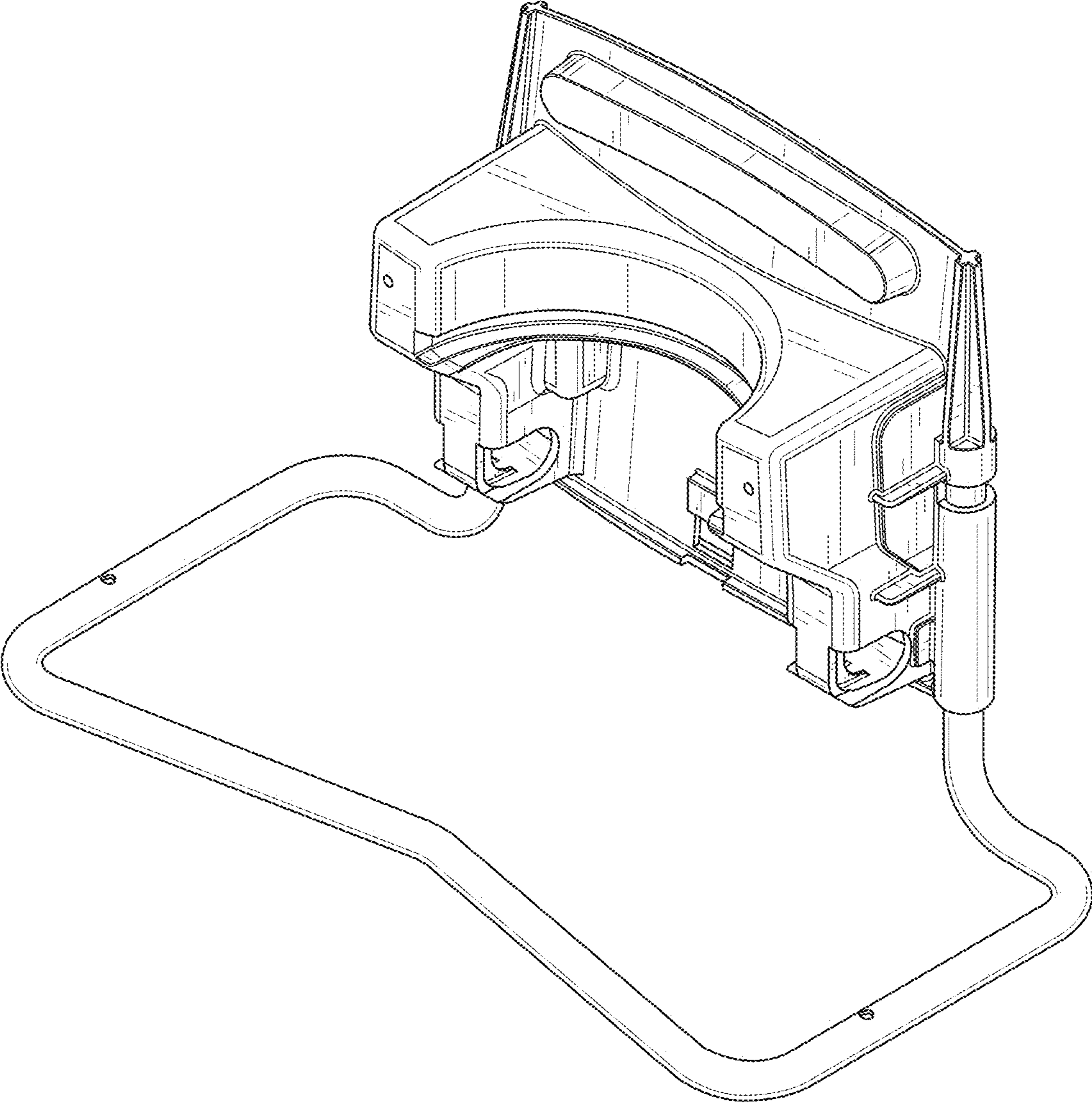


FIG. 1

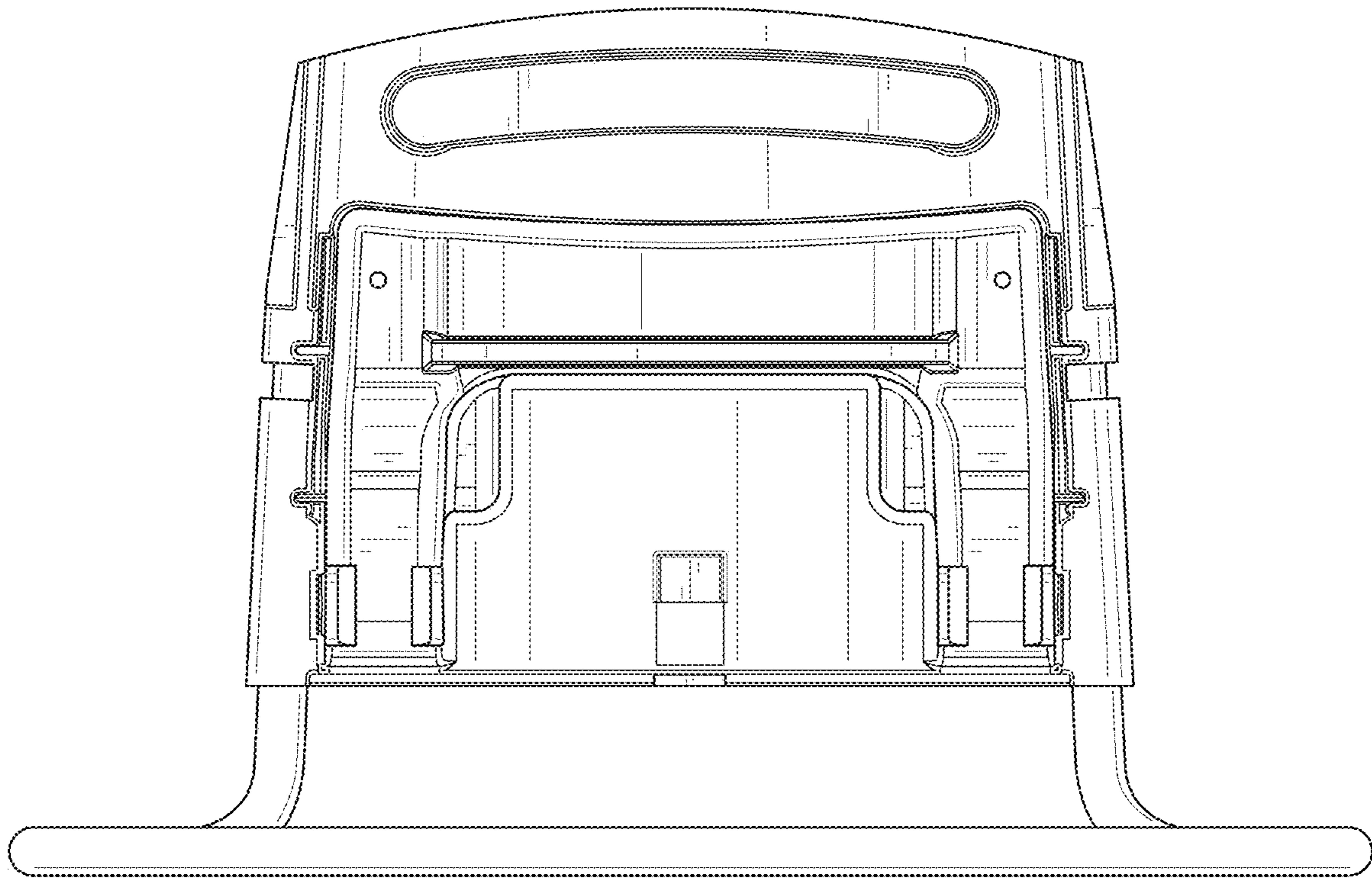


FIG. 2

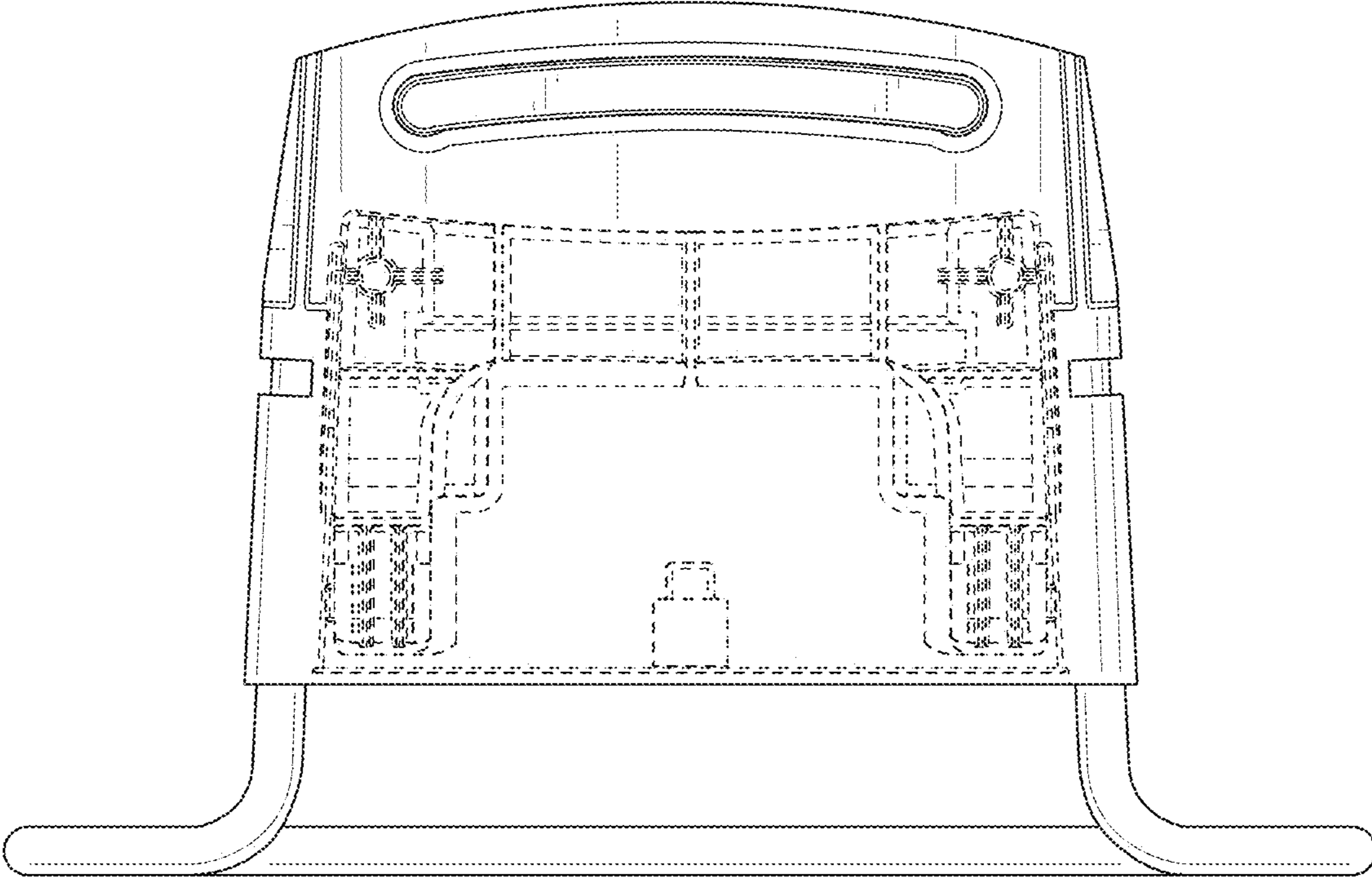


FIG. 3

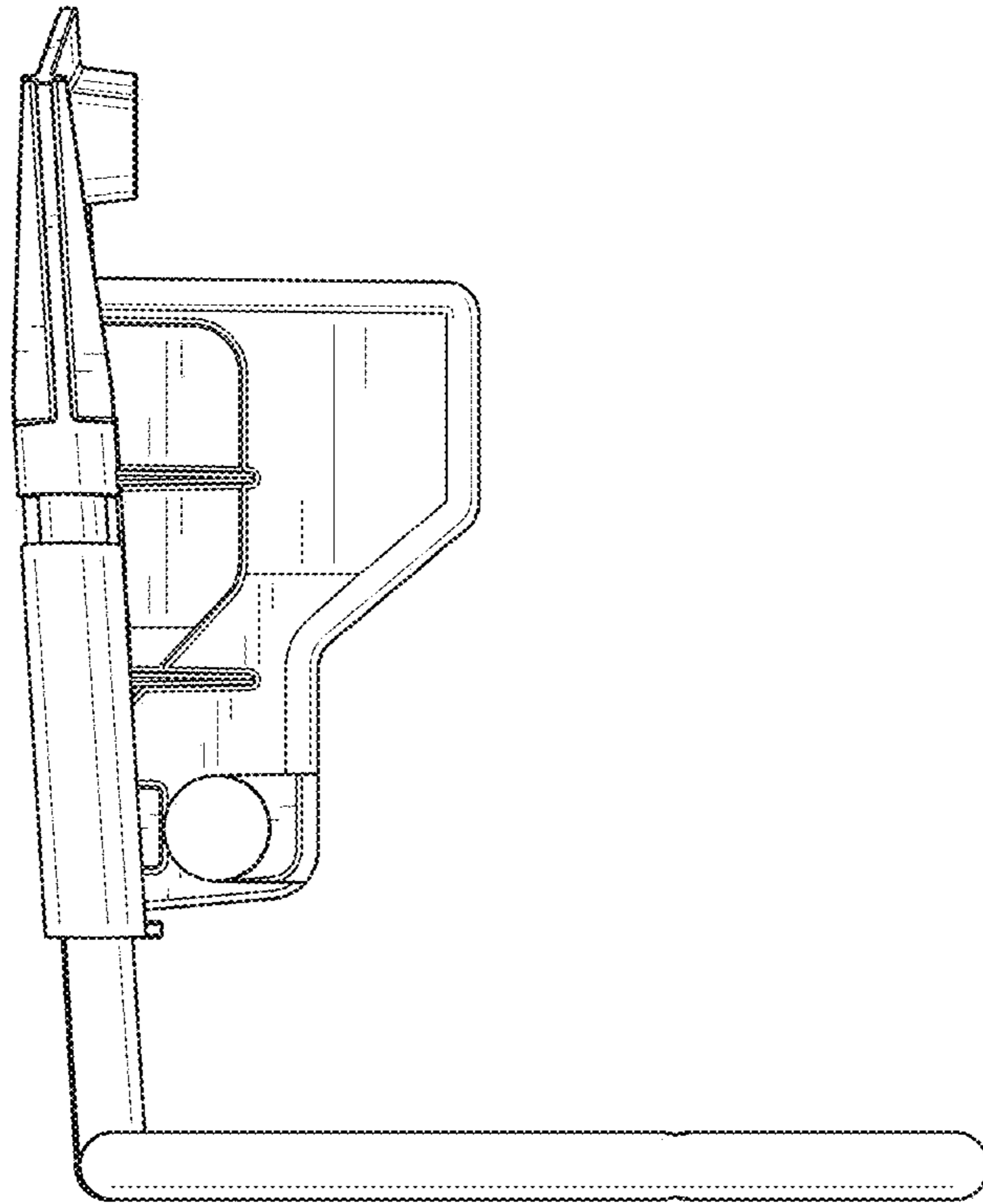


FIG. 4

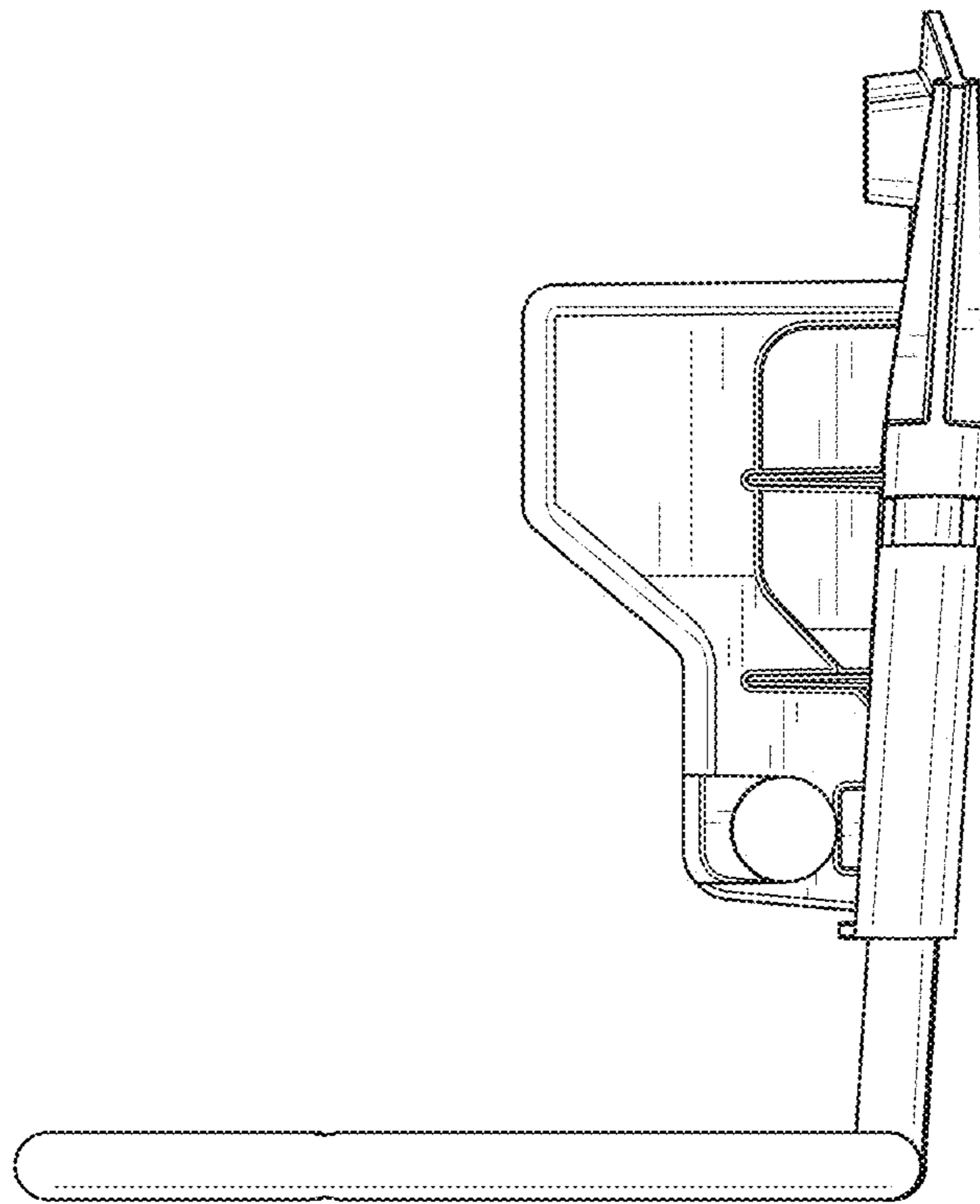


FIG. 5

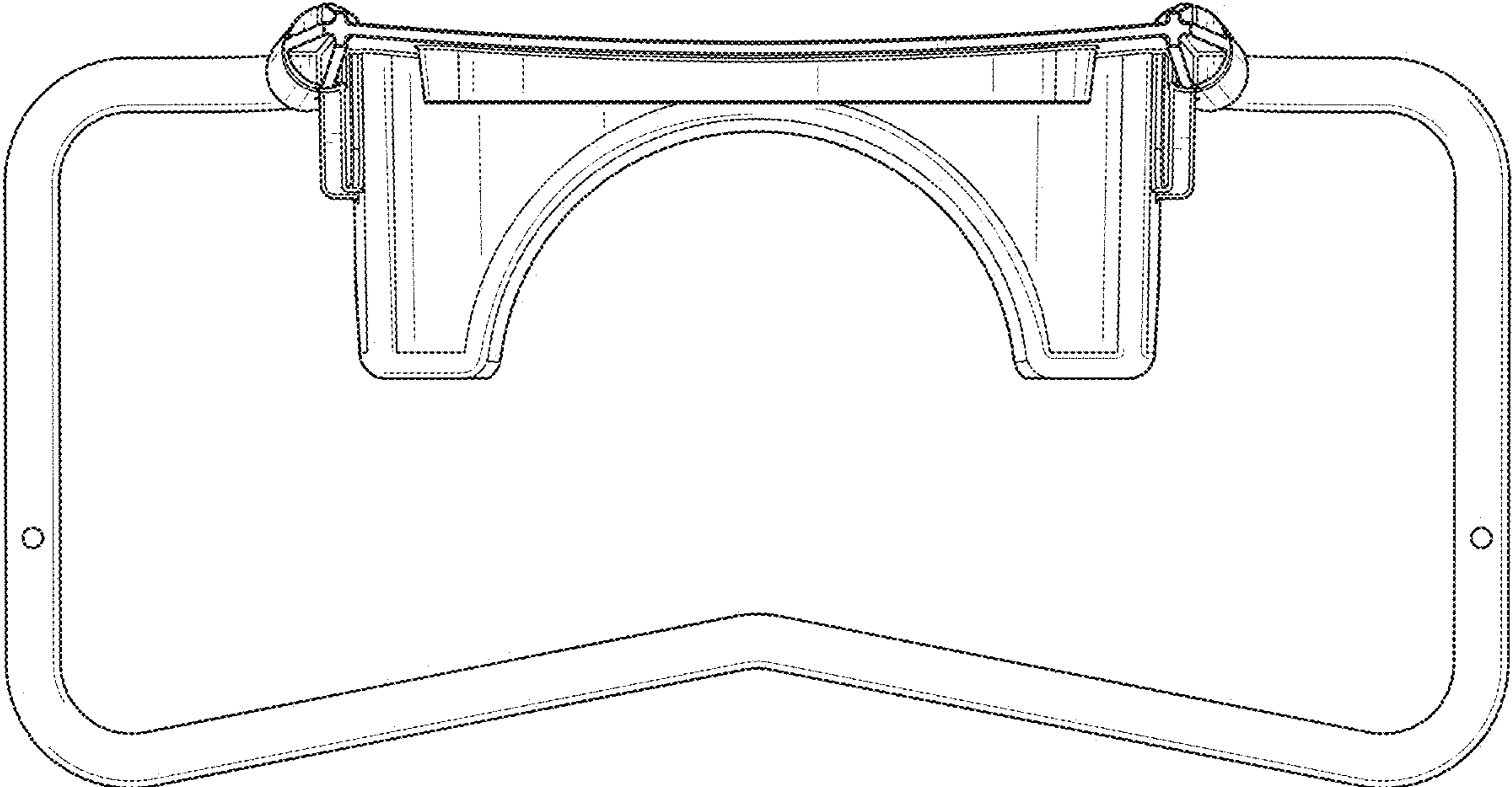


FIG. 6

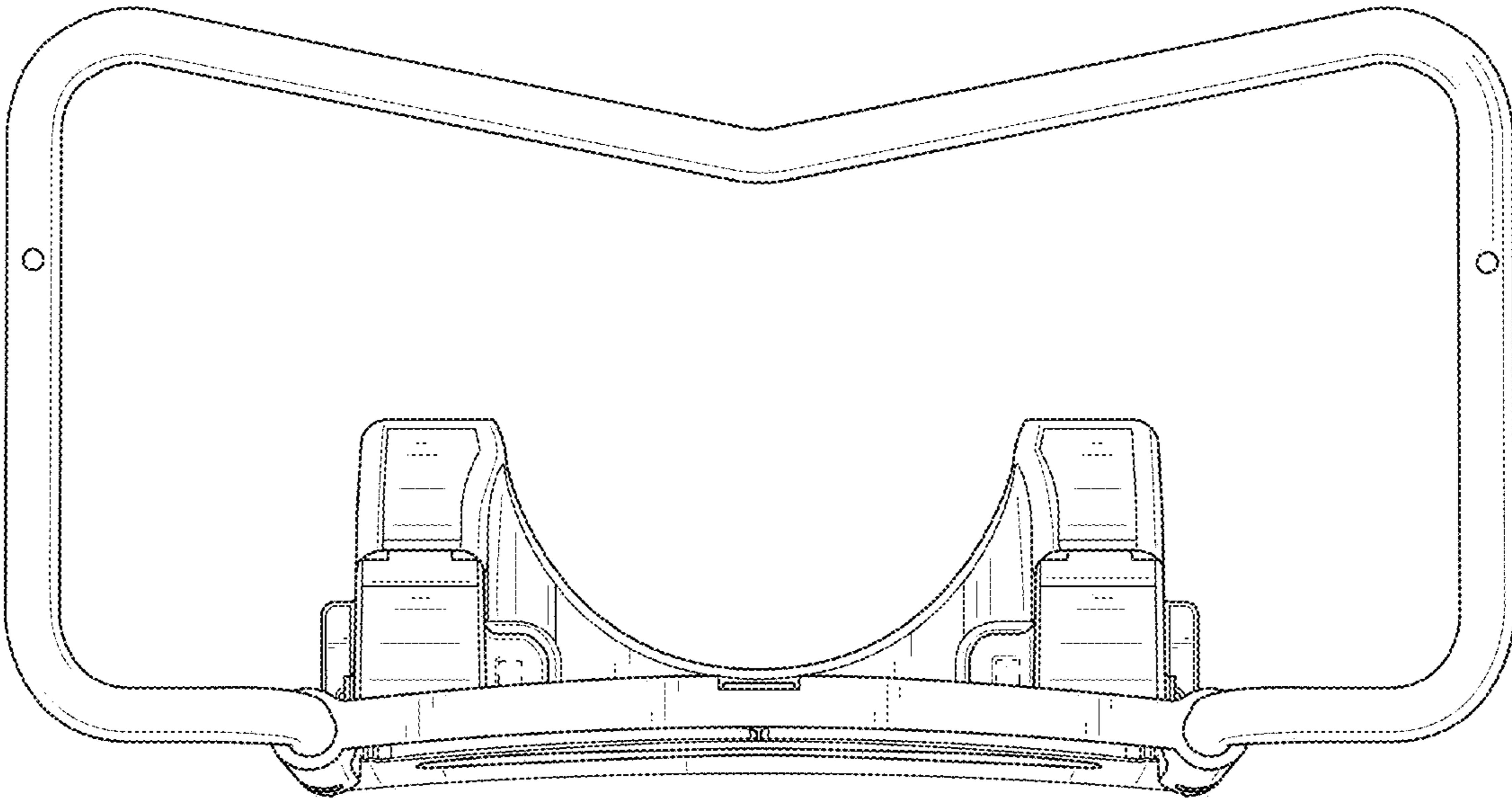


FIG. 7