



US00D902346S

(12) **United States Design Patent** (10) **Patent No.:** **US D902,346 S**
Cocks et al. (45) **Date of Patent:** **** Nov. 17, 2020**

(54) **TWIN SHOWERS**
(71) Applicant: **Phoenix Industries Pty Ltd**, Bayswater (AU)
(72) Inventors: **Andrew John Cocks**, Bayswater (AU); **Ban Hsi Liu**, Bayswater (AU)
(73) Assignee: **Phoenix Industries Pty Ltd.**, Bayswater (AU)
(**) Term: **15 Years**
(21) Appl. No.: **29/702,863**
(22) Filed: **Aug. 22, 2019**

D566,228 S 4/2008 Neagoe
D590,917 S 4/2009 Schoenherr
D593,640 S 6/2009 Schoenherr
D613,370 S 4/2010 Allard
D654,983 S 2/2012 Schoenherr
D655,386 S 3/2012 Schoenherr
D655,783 S 3/2012 Schoenherr
(Continued)

FOREIGN PATENT DOCUMENTS

AU 308198 7/2006
AU 308199 7/2006
(Continued)

OTHER PUBLICATIONS

https://www.amazon.com/PULSE-ShowerSpas-7004-CH-Rectangular-Showerhead/dp/B07MMQ5HP7/ref=sr_1_124?dchild=1&keywords=rectangular%2Bshower%2Bsystems&qid=1595193211&s=hi&sr=1-124&th=1 (Year: 2019).*

(Continued)

Primary Examiner — Manpreet S Matharu
Assistant Examiner — Keith J Wilson
(74) *Attorney, Agent, or Firm* — Womble Bond Dickinson (US) LLP

(57) **CLAIM**

The ornamental design for twin showers, as shown and described.

DESCRIPTION

FIG. 1 is an isometric bottom view of twin showers according to our new design;
FIG. 2 is an isometric top view thereof;
FIG. 3 is a right side view thereof;
FIG. 4 is a left side view thereof;
FIG. 5 is a front view thereof;
FIG. 6 is a top view thereof; and,
FIG. 7 is a bottom view thereof.

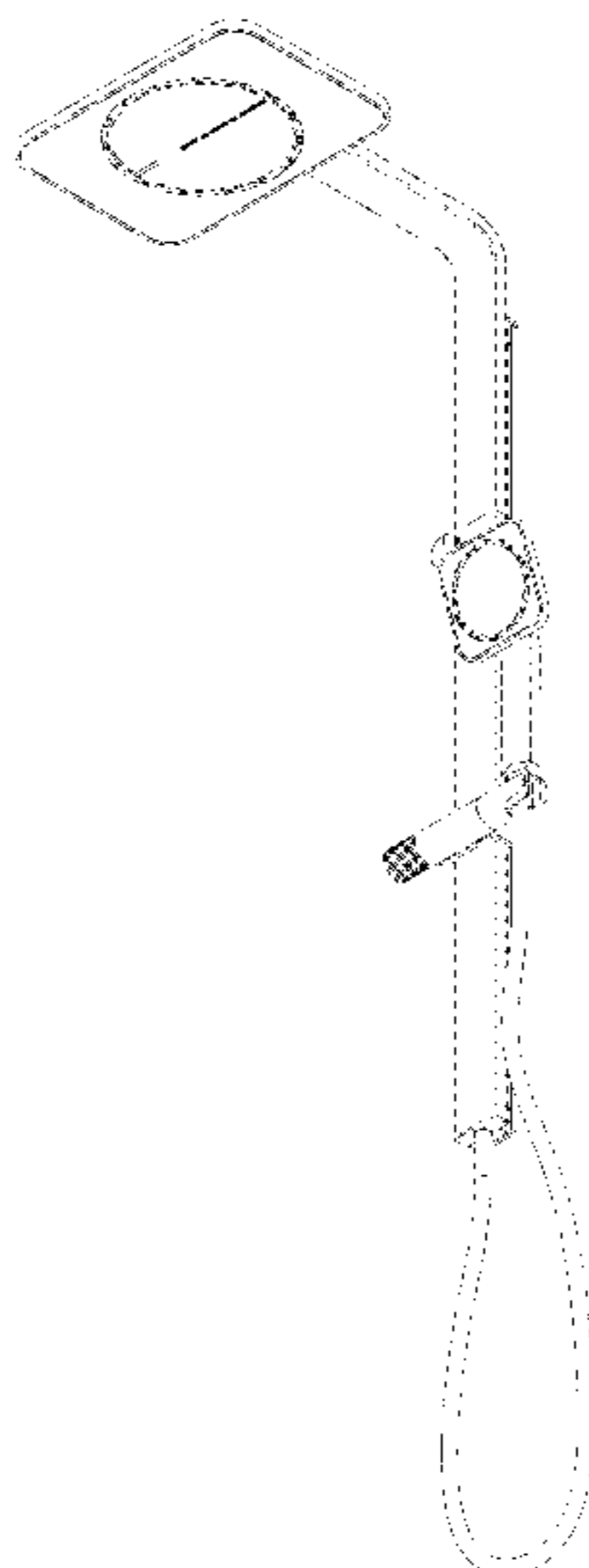
1 Claim, 3 Drawing Sheets

(30) **Foreign Application Priority Data**
Feb. 22, 2019 (AU) 201910945
(51) **LOC (12) Cl.** **23-01**
(52) **U.S. Cl.**
USPC **D23/213**
(58) **Field of Classification Search**
USPC D23/207, 213, 214, 215, 223, 224, 226, D23/229, 230
CPC A61H 9/0021; A61H 33/00; B05B 1/00; B05B 1/14; B05B 1/185; B05B 1/08; B05B 1/02; B05B 1/26; B05B 12/002; B05B 1/18; B05B 9/01
See application file for complete search history.

(56) **References Cited**

U.S. PATENT DOCUMENTS

D487,498 S * 3/2004 Blomstrom D23/213
D496,987 S * 10/2004 Glunk D23/213
D508,730 S * 8/2005 Blomstrom D23/229
D512,120 S 11/2005 Haug
D524,406 S 7/2006 Hoernig
D524,412 S * 7/2006 Blomstrom D23/229
D540,427 S * 4/2007 Bouroullec D23/213
D556,855 S 12/2007 Mullenmeister
D562,937 S 2/2008 Schoenherr



(56)

References Cited

U.S. PATENT DOCUMENTS

D659,167 S 5/2012 Cocks
 D659,794 S 5/2012 Flowers
 D665,479 S 8/2012 Cocks
 D669,156 S 10/2012 Schoenherr
 D669,962 S 10/2012 Schoenherr
 D672,010 S 12/2012 Verdeflor
 D680,619 S * 4/2013 Zhadanov D23/223
 D681,776 S * 5/2013 Cutler D23/223
 D681,781 S 5/2013 Cutler
 D694,357 S * 11/2013 Brodey D23/213
 D694,358 S 11/2013 Schoenherr
 D694,359 S * 11/2013 Schoenherr D23/213
 D694,361 S 11/2013 Schoenherr
 D694,856 S 12/2013 Madsen
 D697,177 S 1/2014 Schoenherr
 D707,328 S 6/2014 Schoenherr
 D707,330 S * 6/2014 Schoenherr D23/223
 D710,973 S 8/2014 Madsen
 D713,004 S * 9/2014 Schoenherr D23/223
 D713,496 S * 9/2014 Schoenherr D23/213
 D713,498 S 9/2014 Schoenherr
 D714,421 S 9/2014 Flowers
 8,851,398 B2 10/2014 Li
 D718,418 S * 11/2014 Georgeson D23/213
 8,991,432 B2 3/2015 Zhou
 D730,493 S * 5/2015 Sehl D23/261
 9,027,857 B2 5/2015 Kull
 D733,258 S * 6/2015 Sandee D23/223
 9,046,261 B2 6/2015 Zhang
 D736,347 S * 8/2015 Tan D23/213
 D736,348 S 8/2015 Tan
 D737,931 S * 9/2015 Schoenherr D23/223
 D737,932 S * 9/2015 Nikles D23/223
 D738,991 S 9/2015 Brodey
 D743,507 S * 11/2015 Georgeson D23/252
 D746,955 S * 1/2016 Corder D23/261
 D749,694 S 2/2016 Madsen
 D751,174 S * 3/2016 Schoenherr D23/213
 D751,175 S 3/2016 Schoenherr
 D751,176 S 3/2016 Schoenherr
 D752,711 S * 3/2016 Georgeson D23/213
 D757,894 S 5/2016 Schoenherr
 D757,895 S * 5/2016 Schoenherr D23/213
 D758,532 S * 6/2016 Schoenherr D23/213
 9,387,495 B2 * 7/2016 Schumacher B05B 1/30
 D778,402 S 2/2017 Schoenherr
 D778,404 S * 2/2017 Schoenherr D23/223
 D779,038 S * 2/2017 Hanna D23/223
 D779,039 S * 2/2017 Hanna D23/223
 D787,458 S 5/2017 Kim
 D791,277 S * 7/2017 Eads D23/213
 D801,475 S * 10/2017 Naslund D23/213
 D803,350 S * 11/2017 Tian D23/213
 D808,499 S * 1/2018 Naslund D23/213
 D809,094 S * 1/2018 Naslund D23/213
 D810,233 S * 2/2018 Winter D23/213
 D810,861 S * 2/2018 Weaver D23/213
 D811,524 S * 2/2018 Bossini D23/223
 D813,348 S * 3/2018 Bossini D23/213
 D820,388 S * 6/2018 Seum D23/213
 D820,949 S * 6/2018 Reinecker D23/213
 D821,542 S * 6/2018 Reinecker D23/213
 D822,157 S 7/2018 L'Henaff
 D824,485 S * 7/2018 Montoya D23/213
 D828,491 S * 9/2018 Schoenherr D23/213
 D828,511 S 9/2018 Liu et al.

D828,512 S 9/2018 Liu et al.
 D828,516 S 9/2018 Liu et al.
 D828,909 S 9/2018 Liu et al.
 D833,575 S * 11/2018 Soulier D23/223
 D839,384 S * 1/2019 Svendsen D23/213
 D840,503 S * 2/2019 Stein D23/213
 D841,121 S * 2/2019 Kiefer D23/213
 D841,125 S * 2/2019 Lai D23/223
 D842,429 S * 3/2019 Huang D23/213
 D842,430 S * 3/2019 Huang D23/213
 D842,431 S * 3/2019 Cacka D23/213
 D842,967 S * 3/2019 Farley D23/213
 D844,749 S 4/2019 Cocks et al.
 D846,077 S 4/2019 Liu
 D846,701 S 4/2019 Liu
 D846,702 S 4/2019 Liu
 D847,302 S 4/2019 Cocks et al.
 D849,191 S 5/2019 Cocks et al.
 D849,696 S 5/2019 Cocks et al.
 D851,207 S 6/2019 Cocks et al.
 D856,475 S 8/2019 Gessi
 2016/0265201 A1 9/2016 Hoogendoorn et al.

FOREIGN PATENT DOCUMENTS

AU 308201 7/2006
 AU 308202 7/2006
 AU 314560 6/2007
 AU 314563 6/2007
 AU 321286 10/2008
 AU 328364 11/2009
 AU 328365 11/2009
 AU 334096 12/2010
 AU 336356 5/2011
 AU 336357 5/2011
 AU 337781 7/2011
 AU 337782 7/2011
 AU 344493 9/2012
 AU 344494 9/2012
 AU 350490 8/2013
 AU 355991 6/2014
 AU 355992 6/2014
 AU 355993 6/2014
 AU 355994 6/2014
 AU 357542 9/2014
 AU 357840 9/2014
 AU 357842 9/2014
 AU 357843 9/2014

OTHER PUBLICATIONS

<https://www.phoenixtapware.com.au/products/nx-orli-with-hydrosenser-twin-shower> (Year: 2020).
 Amazon; 8 Inch Rainfall Shower Head; WaterPoint; available at https://www.amazon.com/Inch-Rainfall-Shower-Head-WaterPoint/dp/B07R62JT94/ref=sr_1_1_75?keywords=showerhead&qid=1566490142&s=gateway&sr=8-75; available prior to Aug. 22, 2019.
 TOI Basin Mixer, Phoenix Tapware, Showers & Accessories, <http://www.phoenixtapware.com.au/products/toi-basin-mixer>, known at least as early as Oct. 25, 2016, 3 pgs.
 TOI Wall Basin/Bath Mixer Set, <http://www.phoenixtapware.com.au/toi-wall-basin-mixer-set180mm>, known at least as early as Oct. 25, 2016, 3 pgs.
 TOI Sink Mixer Squareline, Phoenix Tapware, Showers & Accessories, <http://www.phoenixtapware.com.au/toi-sink-mixer-180mm-squareline>, known at least as early as Oct. 25, 2016, 3 pgs.

* cited by examiner

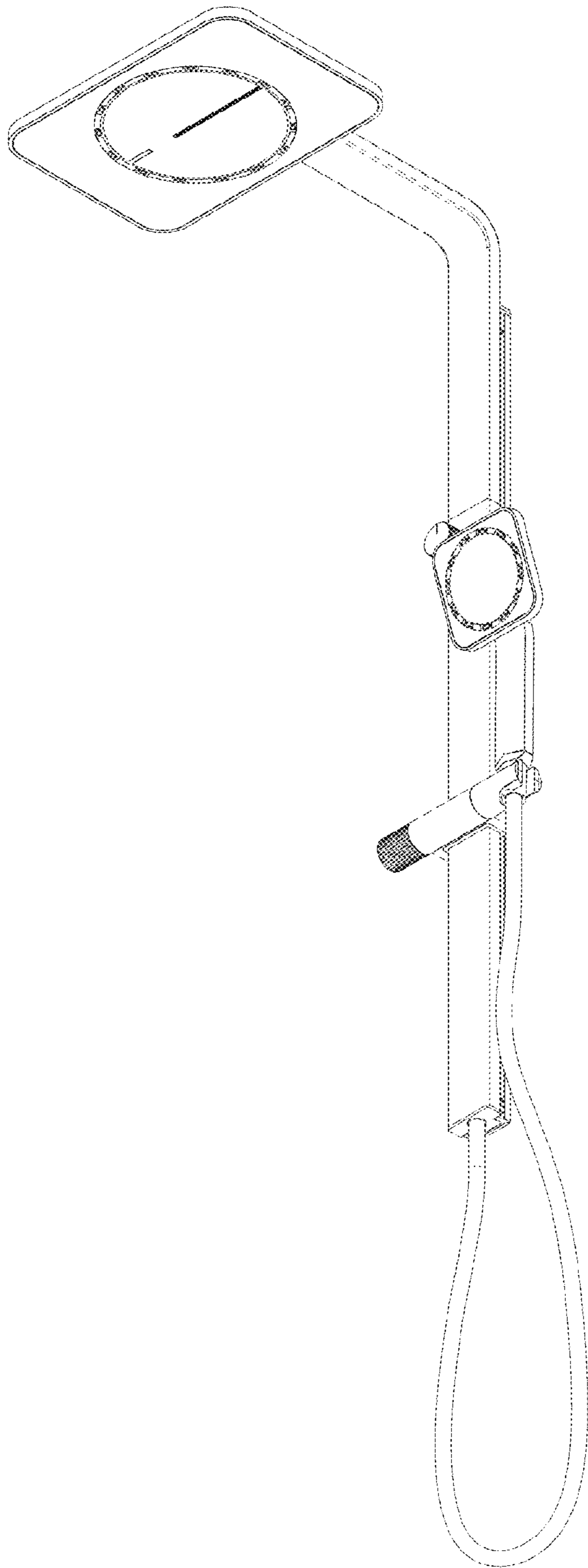


Figure 1

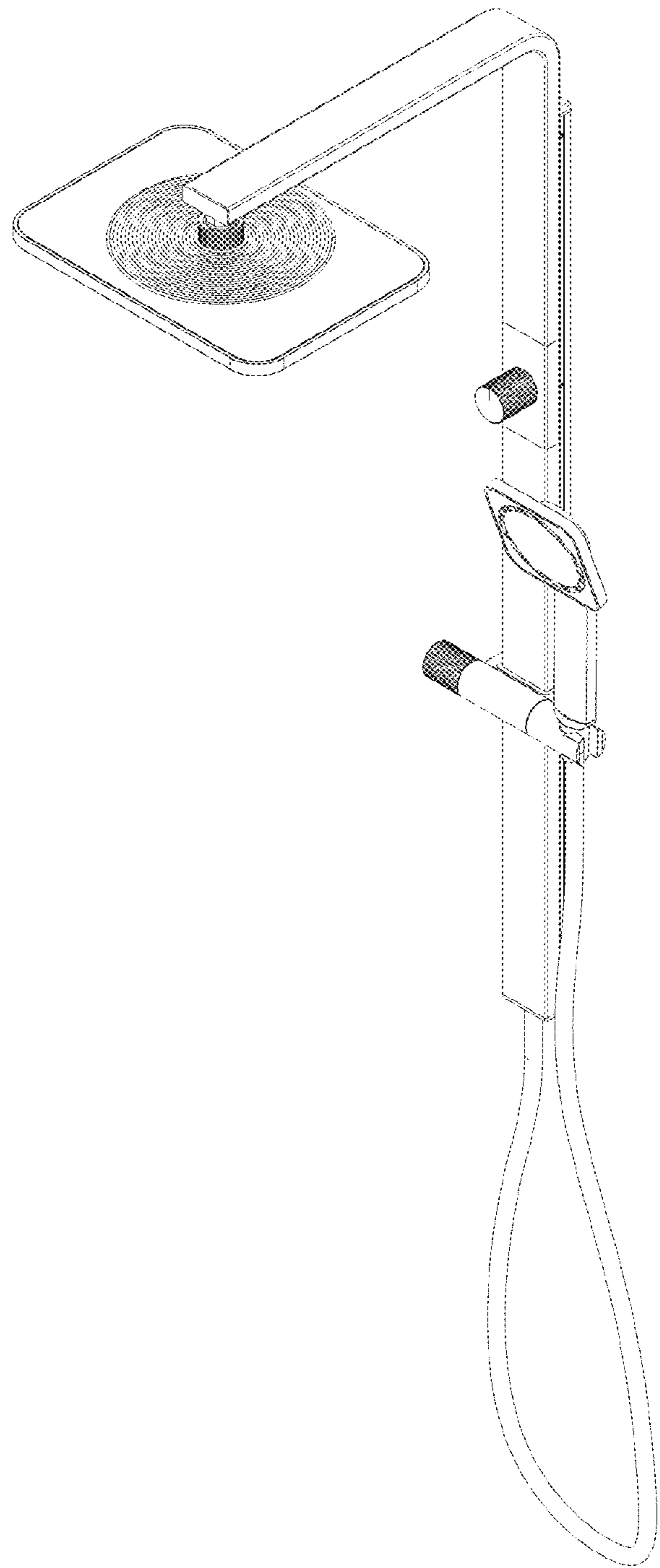


Figure 2

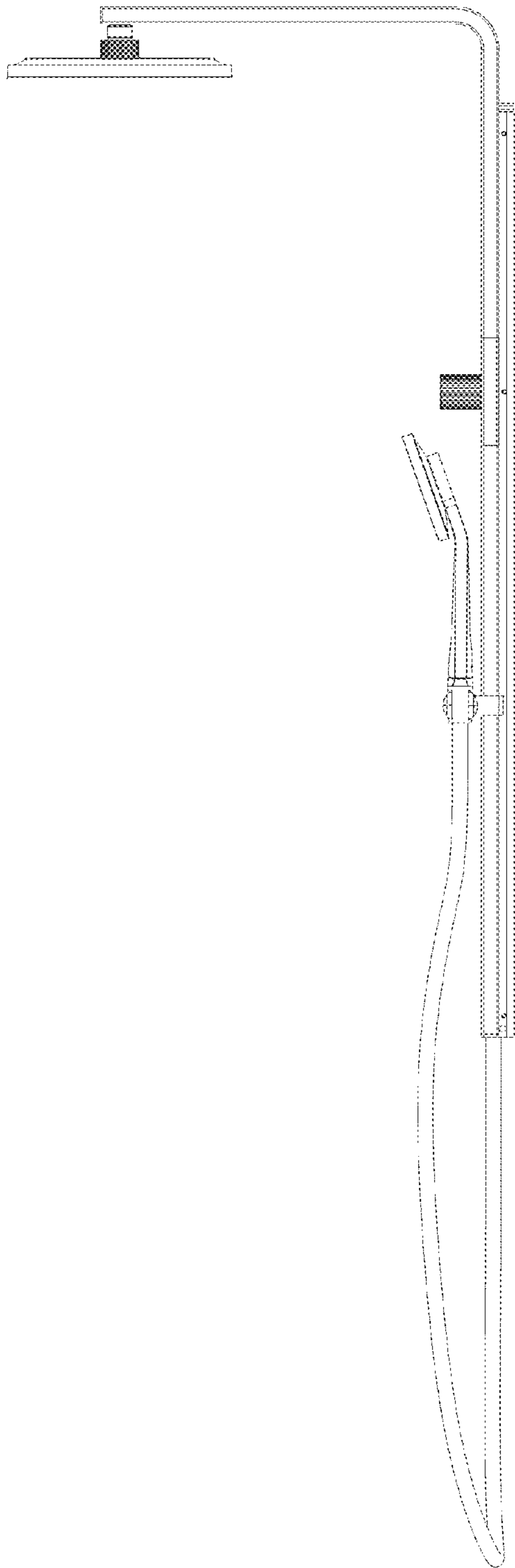


Figure 3

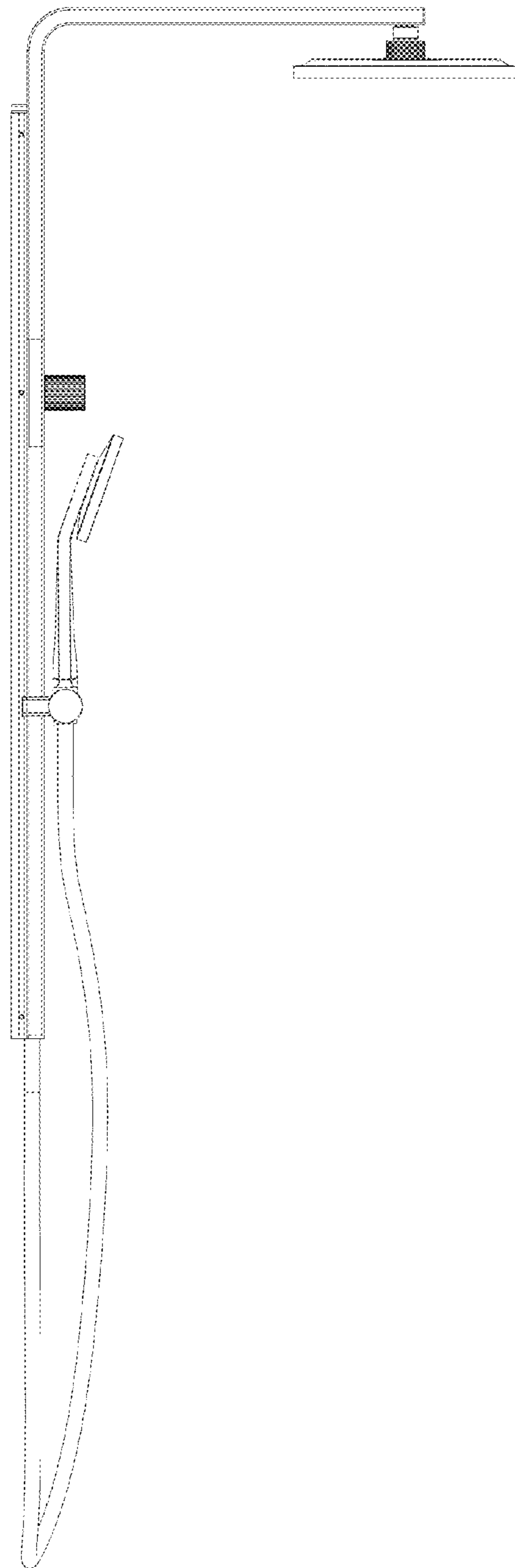


Figure 4

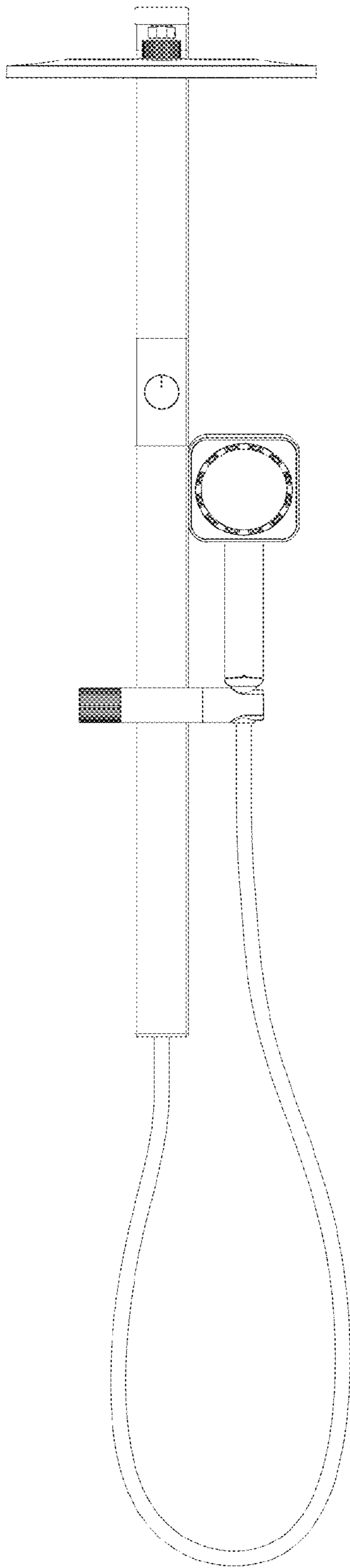


Figure 5

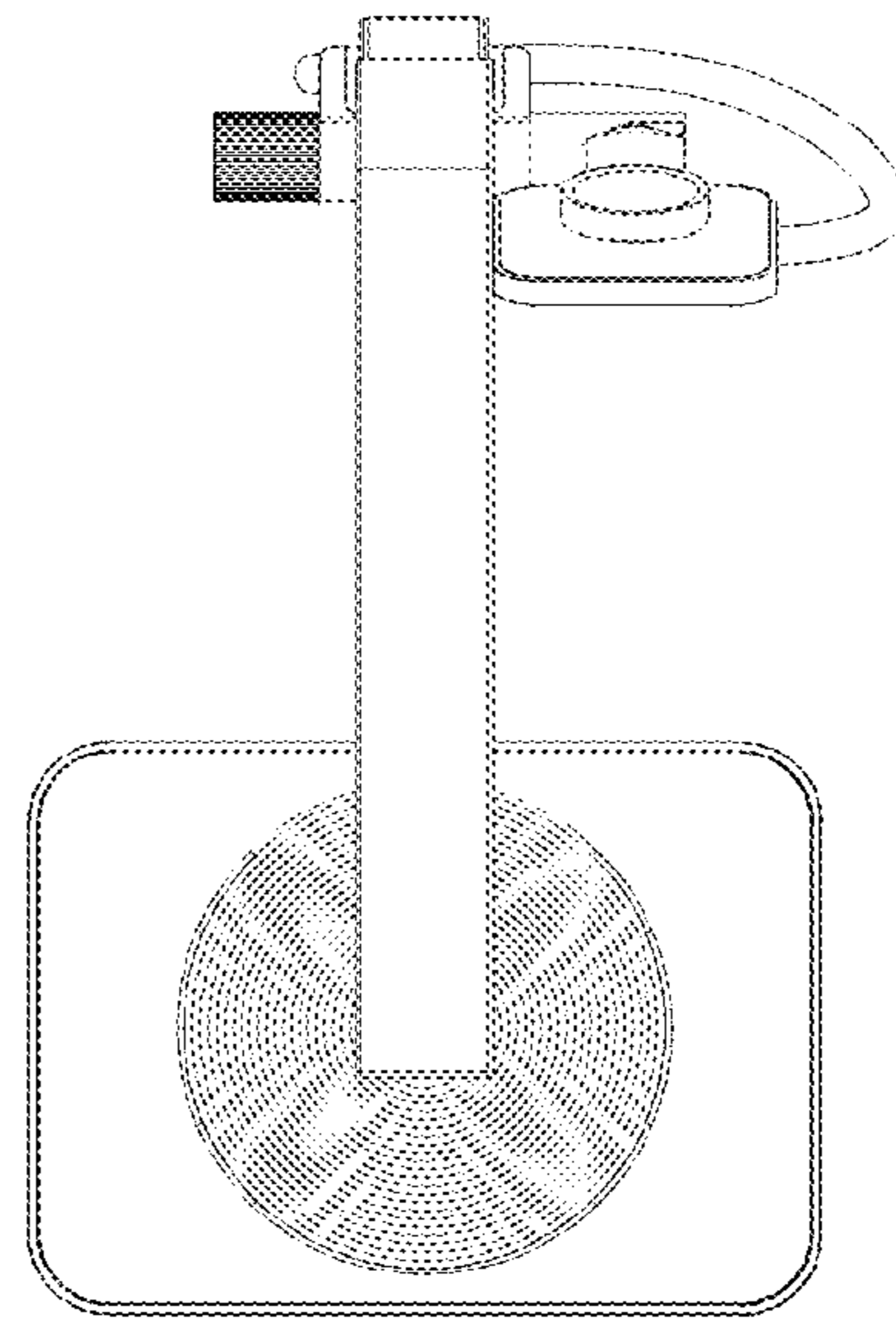


Figure 6

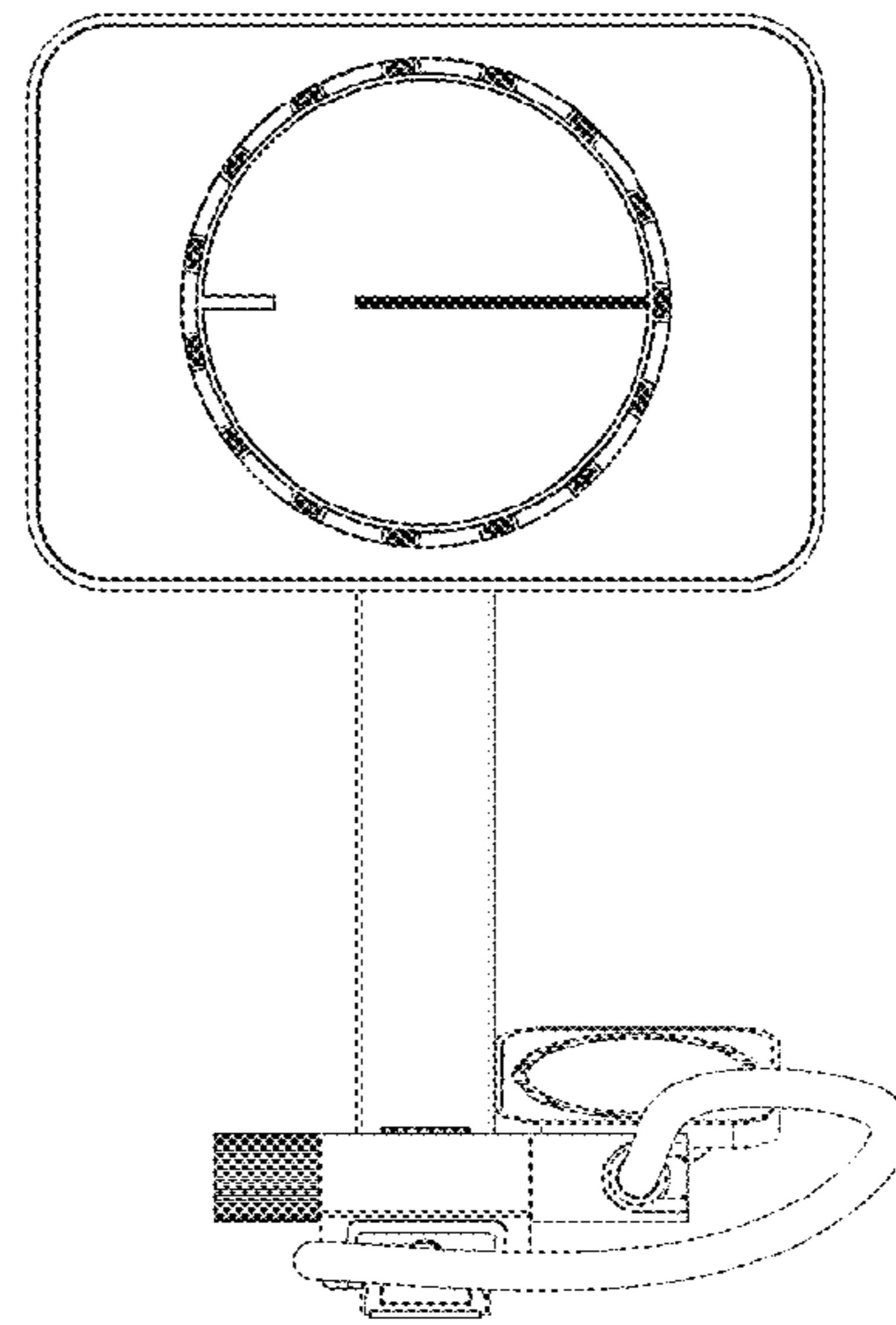


Figure 7