



US00D902345S

(12) **United States Design Patent**  
**Alexander**

(10) **Patent No.:** **US D902,345 S**

(45) **Date of Patent:** **\*\* Nov. 17, 2020**

(54) **PRESSURE WASHER SPRAY GUN**

(71) Applicant: **FNA Group, Inc.**, Pleasant Prairie, WI (US)

(72) Inventor: **Gus Alexander**, Inverness, IL (US)

(73) Assignee: **FNA Group, Inc.**, Pleasant Prairie, WI (US)

(\*\*) Term: **15 Years**

(21) Appl. No.: **29/682,234**

(22) Filed: **Mar. 4, 2019**

(51) **LOC (12) Cl.** ..... **23-01**

(52) **U.S. Cl.**  
USPC ..... **D23/213**; D23/223; D23/224

(58) **Field of Classification Search**  
USPC ..... D23/213, 214, 215, 223, 224, 226, 229, D23/230

CPC ..... A61H 9/0021; A61H 33/00; B05B 1/00; B05B 1/14; B05B 1/185; B05B 1/08; B05B 1/02; B05B 1/26; B05B 12/002; B05B 1/18; B05B 9/01; F16L 37/46; F16L 37/00; F17C 13/12; F17C 2205/0376

See application file for complete search history.

(56) **References Cited**

**U.S. PATENT DOCUMENTS**

D263,618 S *	3/1982	Taylor	.....	D23/226
D317,969 S *	7/1991	Lambert	.....	D23/226
D342,742 S *	12/1993	Daul	.....	D23/226
D350,386 S *	9/1994	Dotson	.....	D23/223
D355,704 S *	2/1995	Simpson	.....	D23/223
D359,100 S *	6/1995	Dotson	.....	D23/223
D516,673 S *	3/2006	Chisholm	.....	D23/226
D518,556 S *	4/2006	Amaduzzi	.....	D23/226
7,134,580 B2 *	11/2006	Garrison	.....	B67D 7/48 222/566
7,234,614 B1 *	6/2007	Knight	.....	B67D 7/42 137/312
D648,417 S *	11/2011	Varini	.....	D23/226

D650,047 S *	12/2011	Varini	.....	D23/226
D656,221 S *	3/2012	Gevers	.....	D23/226
D684,664 S *	6/2013	Gevers	.....	D23/226
D734,427 S *	7/2015	Bygbjerg	.....	D23/213
D745,114 S *	12/2015	Alexander	.....	D23/235
D782,001 S *	3/2017	Birch	.....	D23/211.2
D803,984 S *	11/2017	Tschopp	.....	D23/226
9,821,179 B2 *	11/2017	Kristensen	.....	B05B 1/14
D829,862 S *	10/2018	Lee	.....	D23/223

(Continued)

**OTHER PUBLICATIONS**

[https://www.amazon.com/DeWalt-Professional-3400-PSI-Gas/dp/B00IFEGPVG/ref=sr\\_1\\_9?crd=317UMRF3BX72M&keywords=dewalt+pressure+washer&qid=1579715681&srefix=dewalts+pr%2Caps%2C136&sr=8-9](https://www.amazon.com/DeWalt-Professional-3400-PSI-Gas/dp/B00IFEGPVG/ref=sr_1_9?crd=317UMRF3BX72M&keywords=dewalt+pressure+washer&qid=1579715681&srefix=dewalts+pr%2Caps%2C136&sr=8-9) (Year: 2016).\*

*Primary Examiner* — Manpreet S Matharu

*Assistant Examiner* — Keith J Wilson

(74) *Attorney, Agent, or Firm* — Steven E. Jedlinski; Jeffrey T. Placker; Holland & Knight LLP

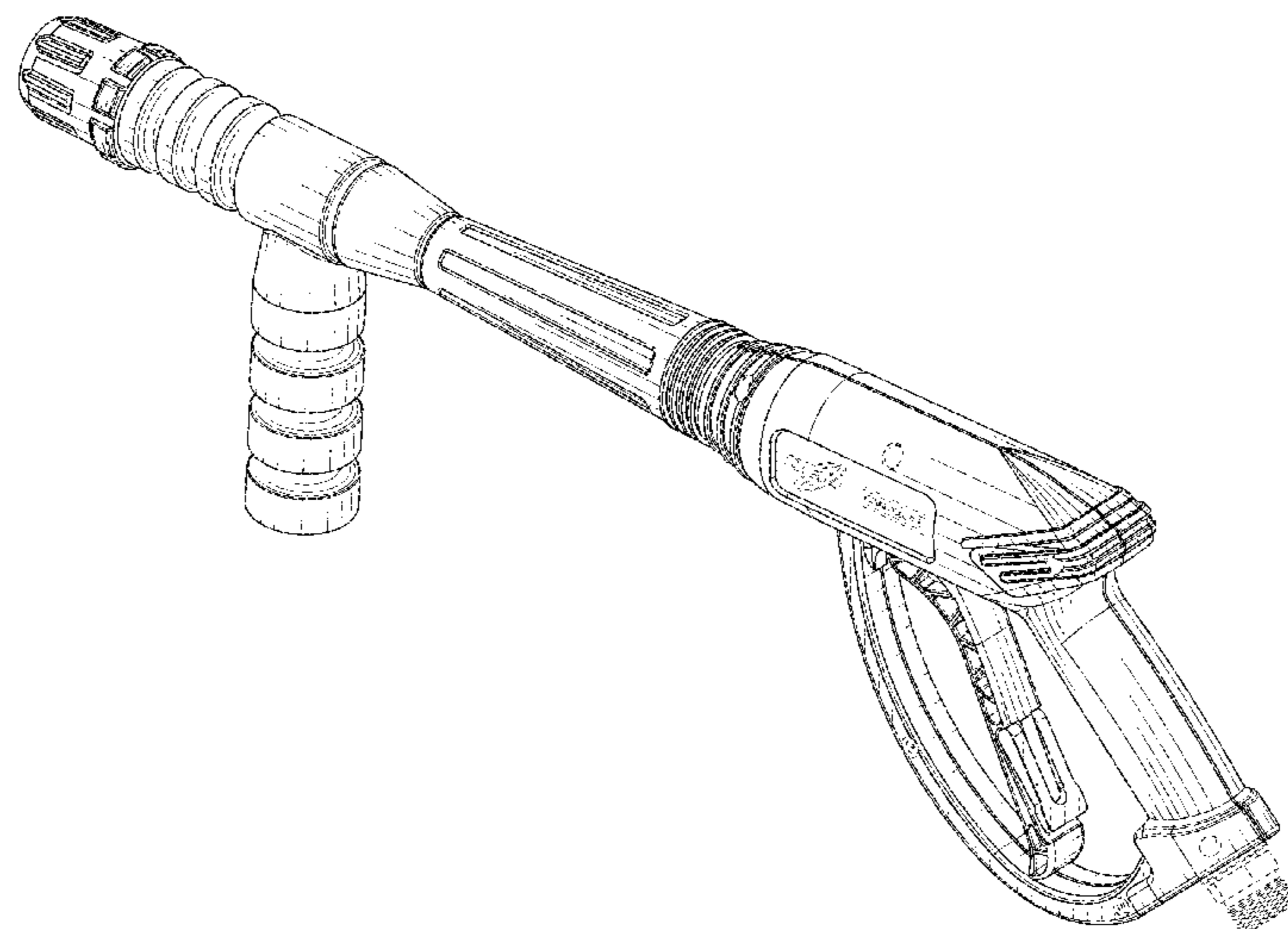
(57) **CLAIM**

The ornamental design for a pressure washer spray gun, as shown and described.

**DESCRIPTION**

FIG. 1 is a top-front-right perspective view of a pressure washer spray gun;  
FIG. 2 is a bottom-rear-right perspective view thereof;  
FIG. 3 is a bottom-front-left perspective view thereof;  
FIG. 4 is a bottom-rear-left perspective view thereof;  
FIG. 5 is a front elevation view thereof;  
FIG. 6 is a rear elevation view thereof;  
FIG. 7 is a left elevation view thereof;  
FIG. 8 is a right elevation view thereof;  
FIG. 9 is top plan view thereof; and,  
FIG. 10 is a bottom plan view thereof.  
The broken lines are included for the purpose of illustrating portions of the pressure washer spray gun that form no part of the claimed design.

**1 Claim, 8 Drawing Sheets**



(56)

**References Cited**

U.S. PATENT DOCUMENTS

D831,158 S *	10/2018	Weh .....	D23/226
D850,582 S *	6/2019	Weinberg .....	D23/226
D852,324 S *	6/2019	Willfort .....	D23/226
D861,264 S *	9/2019	Gu .....	D32/17
2010/0006668 A1 *	1/2010	Alexander .....	B08B 3/026
			239/129
2012/0018534 A1 *	1/2012	Gilpatrick .....	B05B 7/0876
			239/310
2018/0304292 A1 *	10/2018	Alexander .....	B05B 12/002

\* cited by examiner

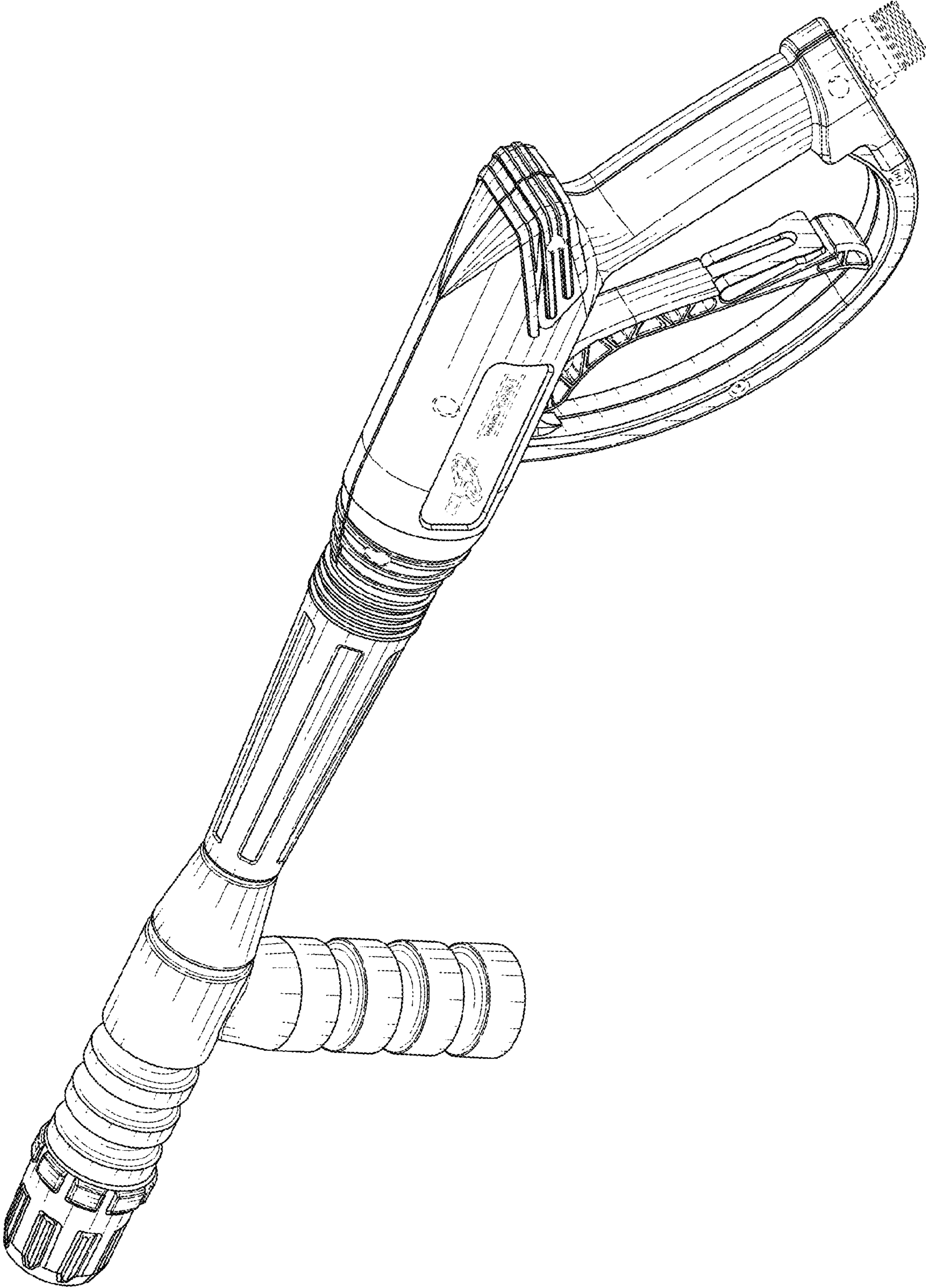


FIG. 1

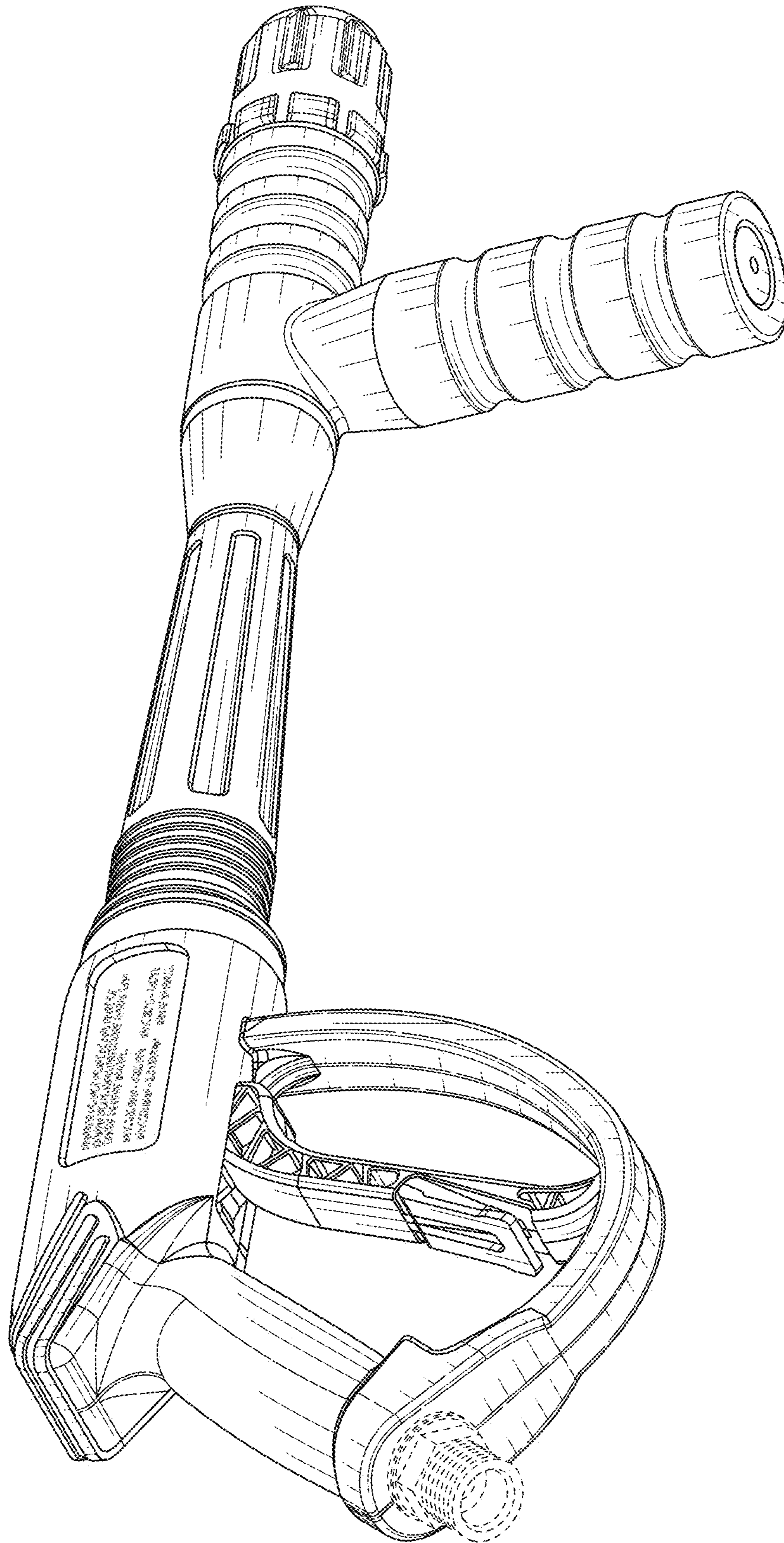


FIG. 2

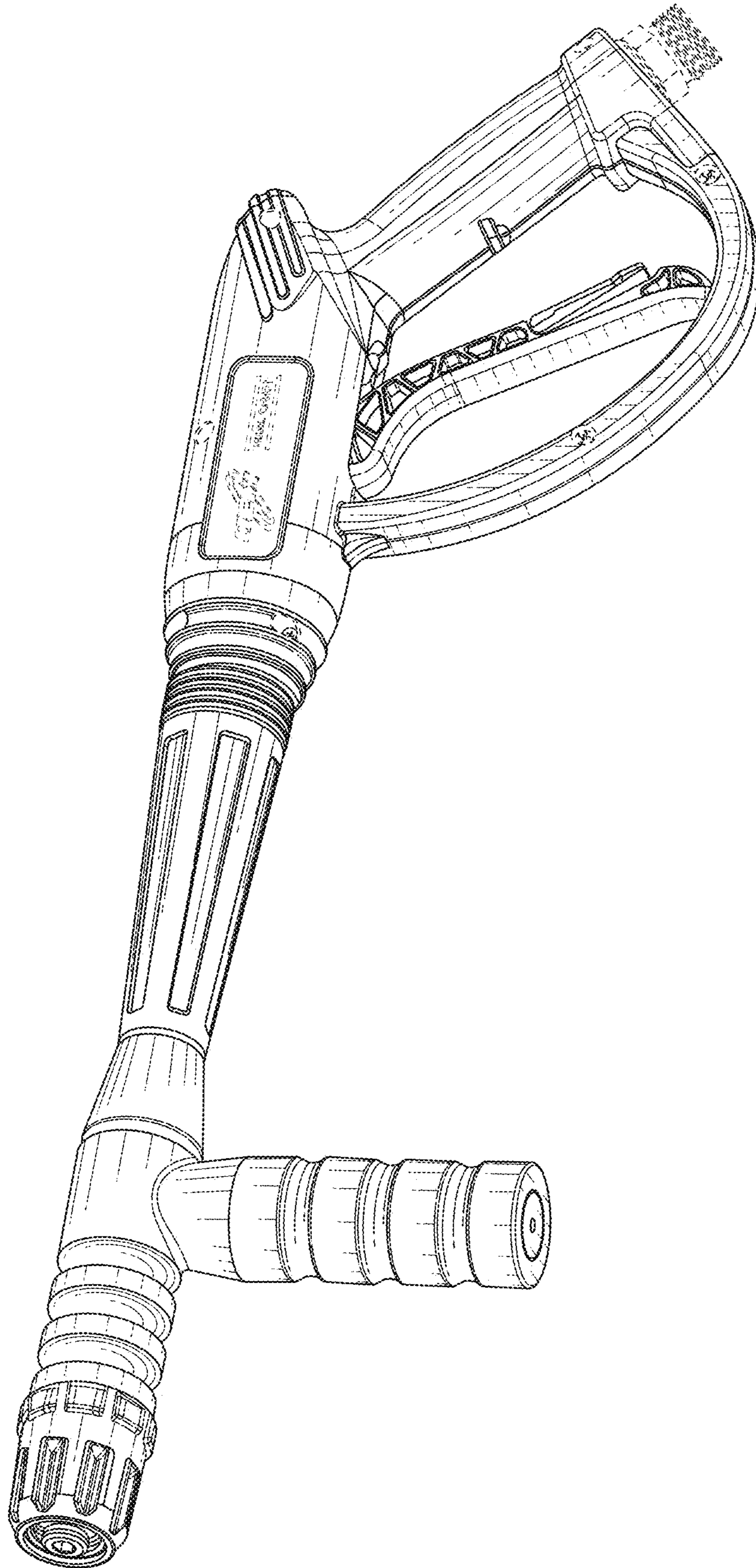


FIG. 3

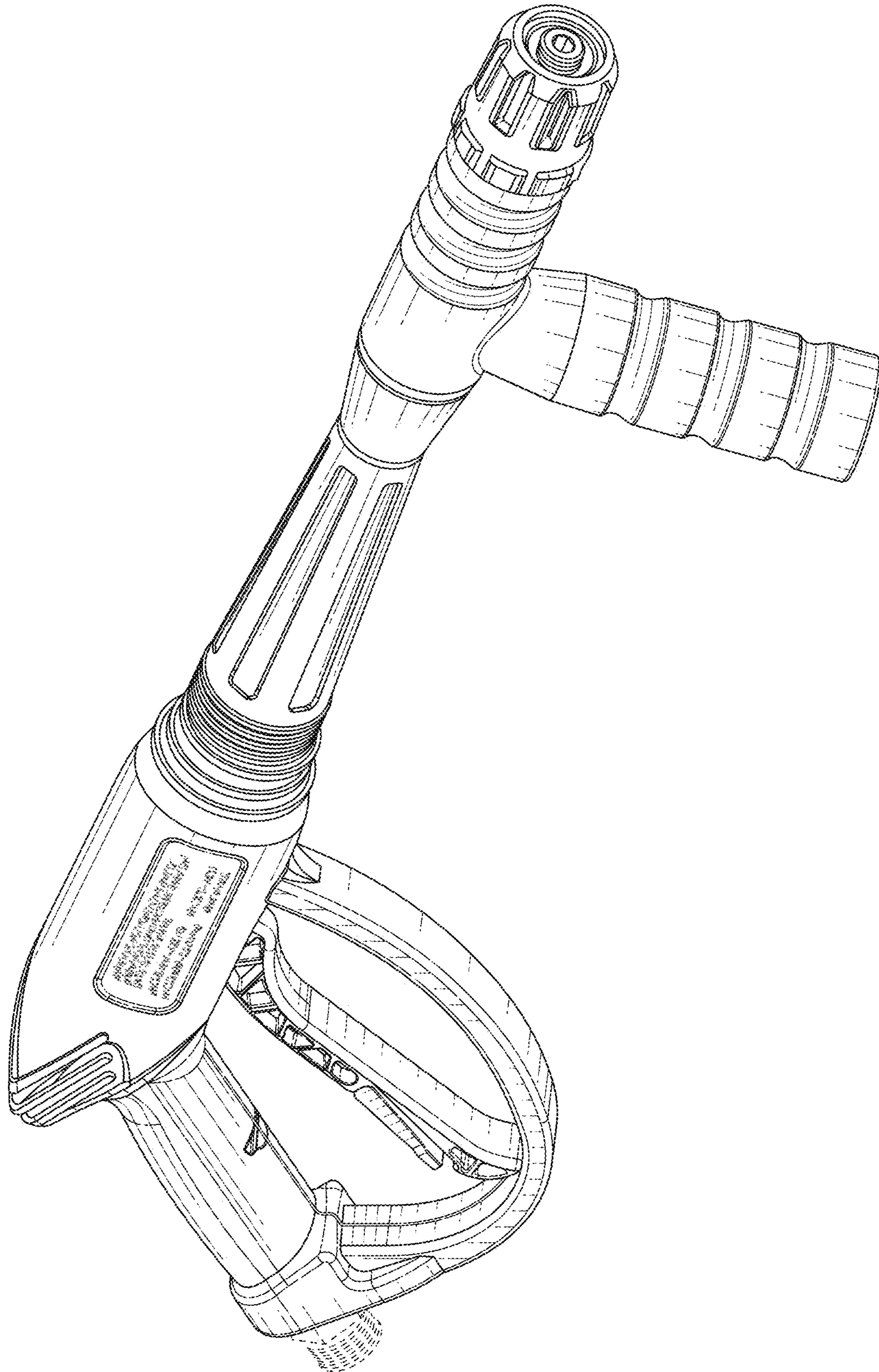


FIG. 4

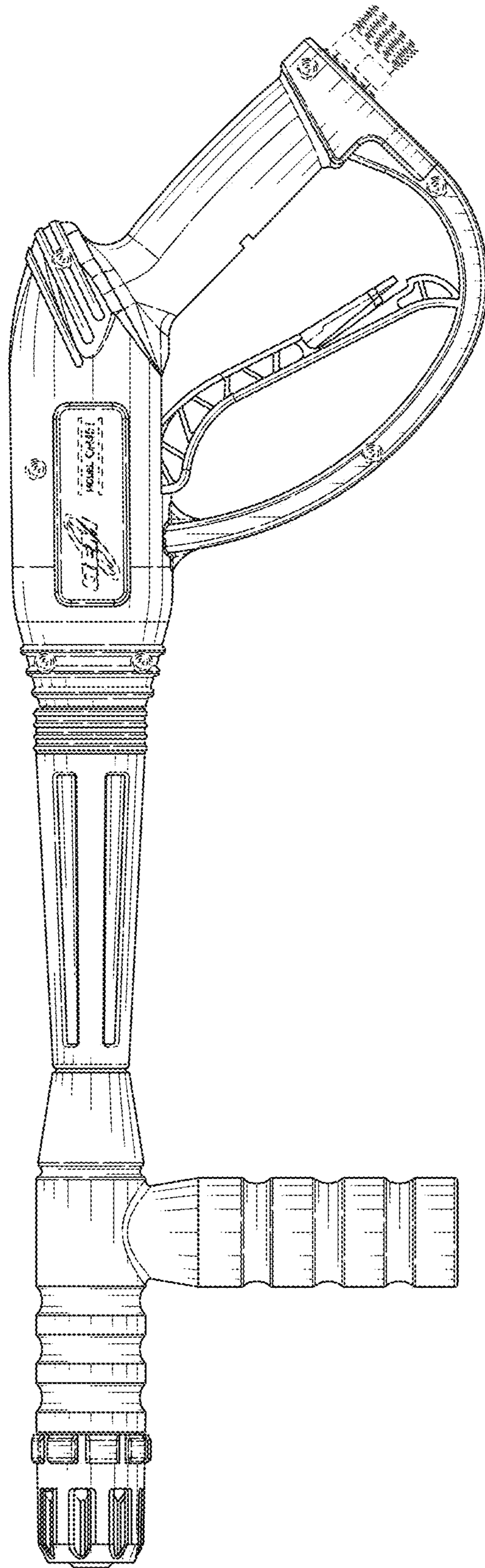


FIG. 5

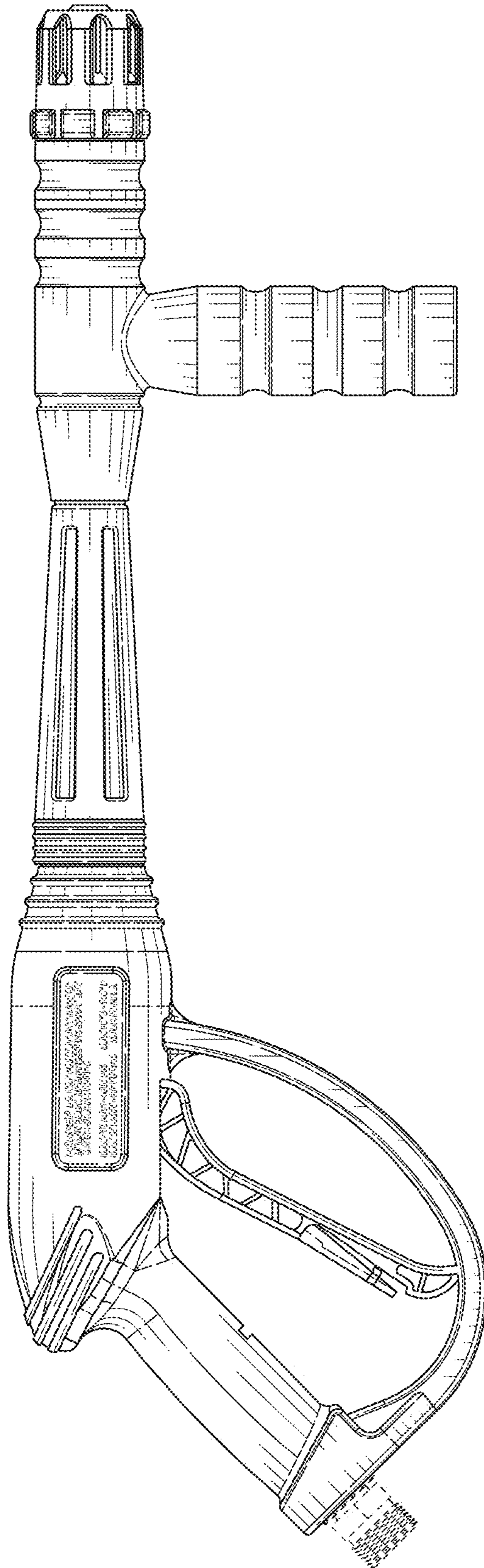


FIG. 6



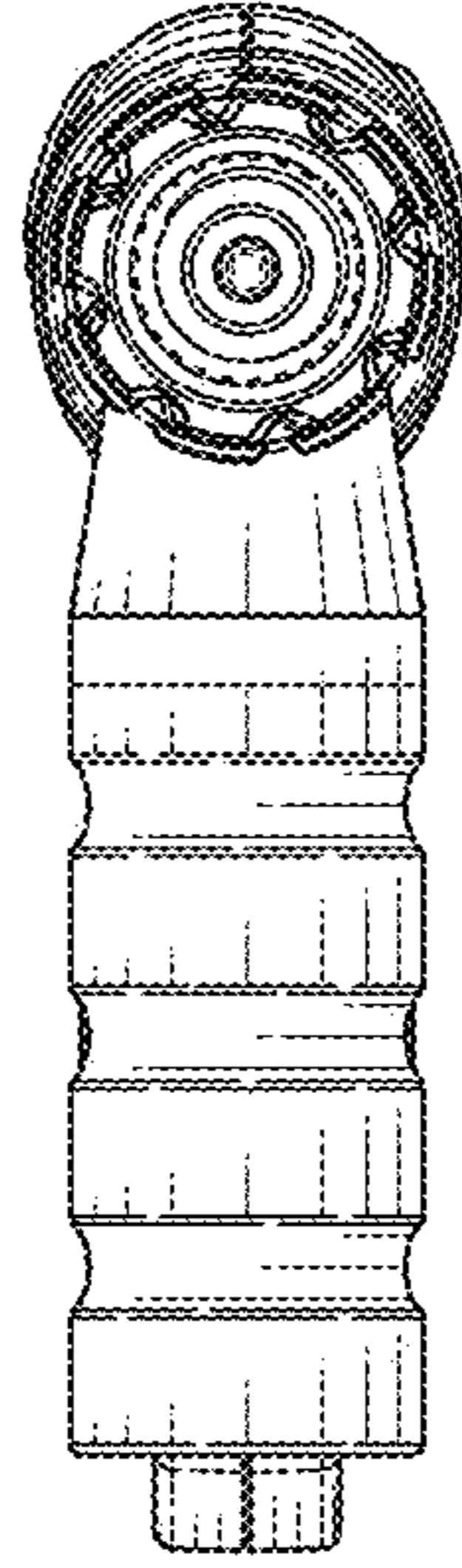


FIG. 7

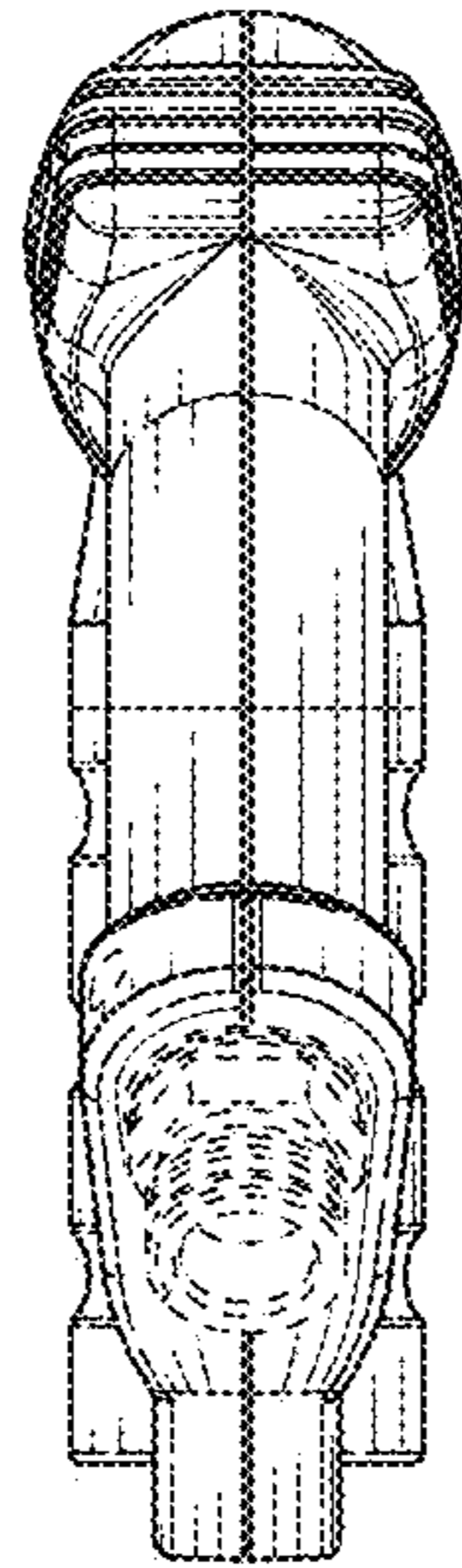


FIG. 8

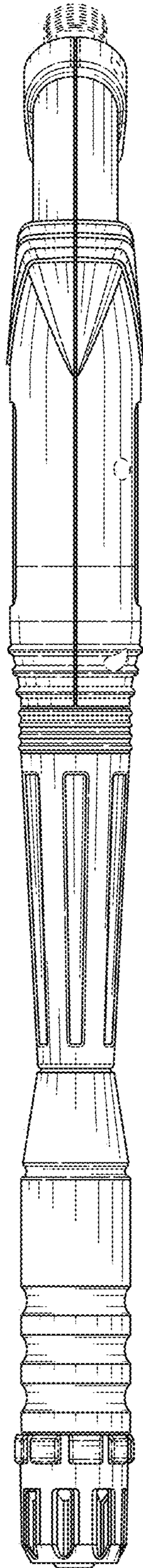


FIG. 9

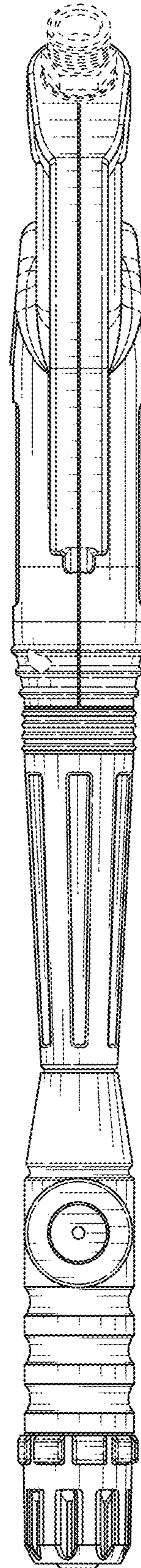


FIG. 10