



US00D902343S

(12) **United States Design Patent** (10) **Patent No.:** **US D902,343 S**
Xu (45) **Date of Patent:** **** Nov. 17, 2020**

(54) **FISHING LANDING NET FRAME WITH AN ARM**

(71) Applicant: **HANGZHOU FUFAN INDUSTRY CO., LTD.**, Hangzhou (CN)

(72) Inventor: **Hongjian Xu**, Hangzhou (CN)

(73) Assignee: **HANGZHOU FUFAN INDUSTRY CO., LTD.**, Hangzhou (CN)

(**) Term: **15 Years**

(21) Appl. No.: **29/705,807**

(22) Filed: **Sep. 16, 2019**

(51) **LOC (12) Cl.** **22-05**

(52) **U.S. Cl.**
USPC **D22/135**

(58) **Field of Classification Search**
USPC D22/135; 43/7, 10-12, 14, 17.5;
209/417-419; 119/245, 264
CPC A01K 77/00; A63B 49/00
See application file for complete search history.

(56) **References Cited**

U.S. PATENT DOCUMENTS

2,817,175 A * 12/1957 Morris A01K 77/00
43/11
2,874,506 A * 2/1959 Cliff A01K 77/00
43/11

D743,504 S * 11/2015 Hall D22/135
D884,826 S * 5/2020 Xu D22/135
2019/0053475 A1* 2/2019 Xu A01K 77/00
2020/0163318 A1* 5/2020 Xu A01K 77/00

* cited by examiner

Primary Examiner — Catherine R Oliver-Garcia
(74) *Attorney, Agent, or Firm* — Jiwen Chen; Jacobson Holman PLLC

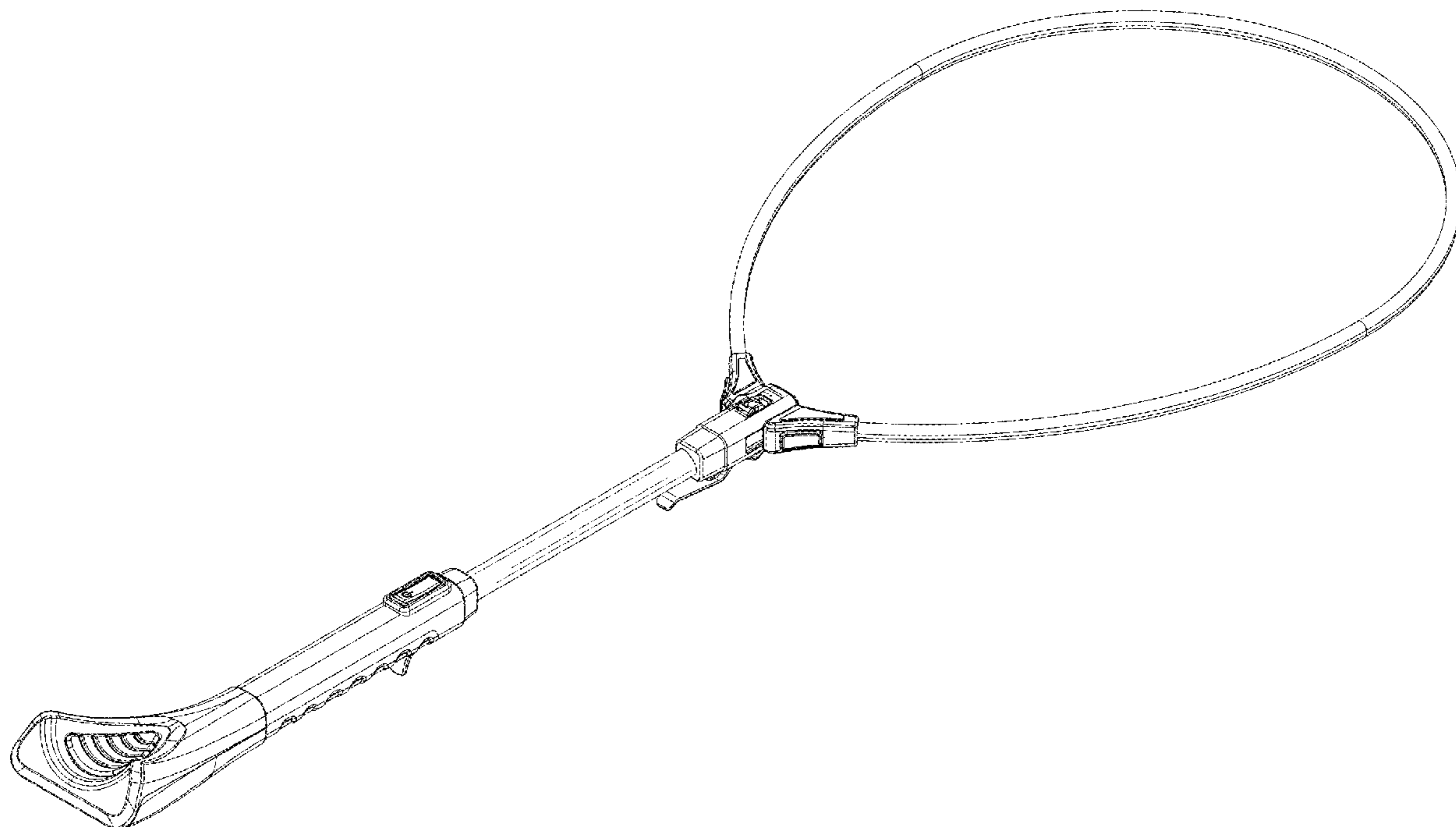
(57) **CLAIM**

The ornamental design for a fishing landing net frame with an arm, as shown and described.

DESCRIPTION

FIG. 1 is a perspective view of the fishing landing net frame with an arm showing the design;
FIG. 2 is a front elevational view thereof;
FIG. 3 is a rear elevational view thereof;
FIG. 4 is a left side view thereof;
FIG. 5 is a right side view thereof;
FIG. 6 is a bottom plan view thereof;
FIG. 7 is a top plan view thereof;
FIG. 8 is a perspective view thereof where the frame is folded; and,
FIG. 9 is a perspective view thereof where the arm is extended.

1 Claim, 7 Drawing Sheets



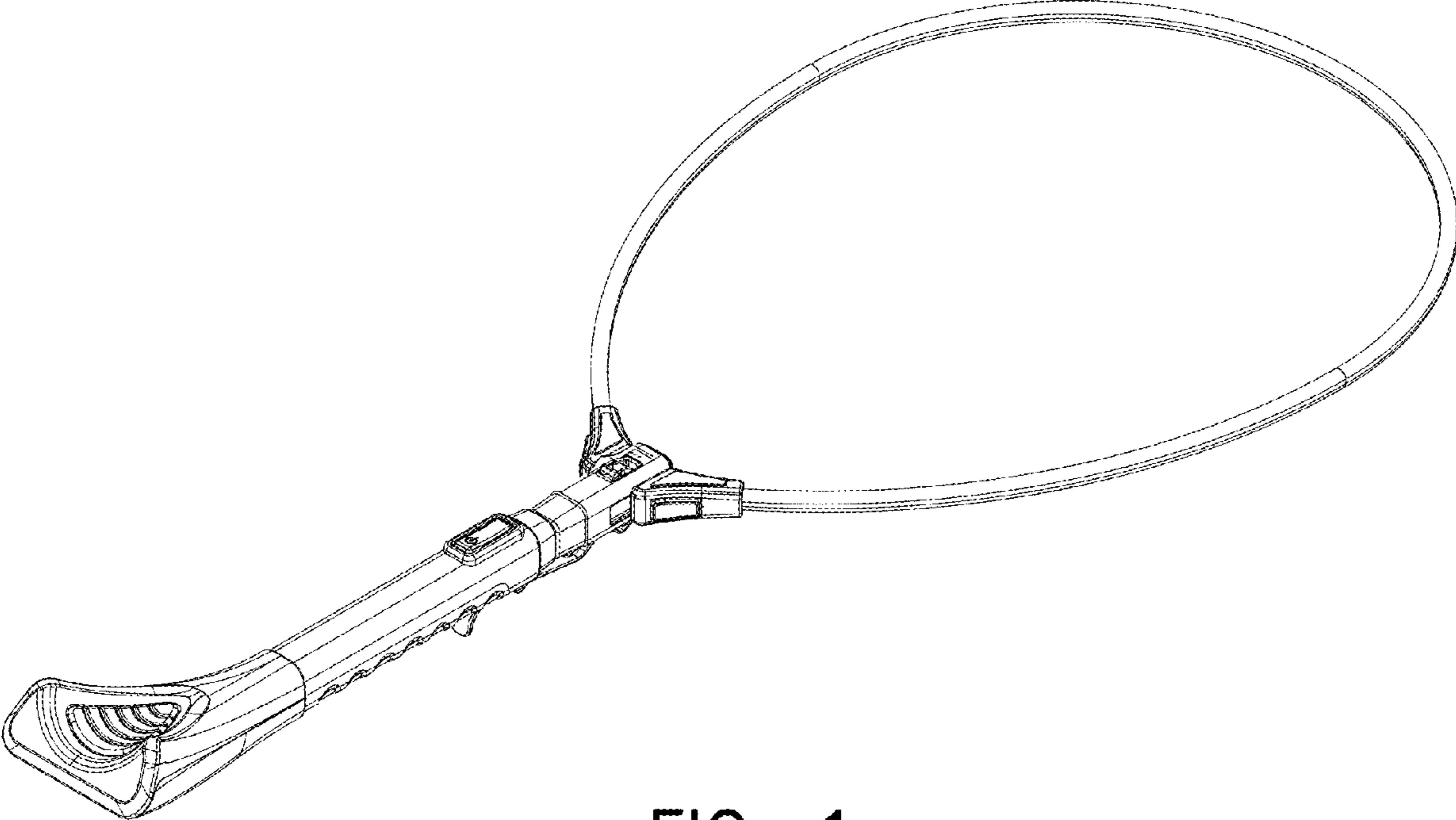


FIG. 1

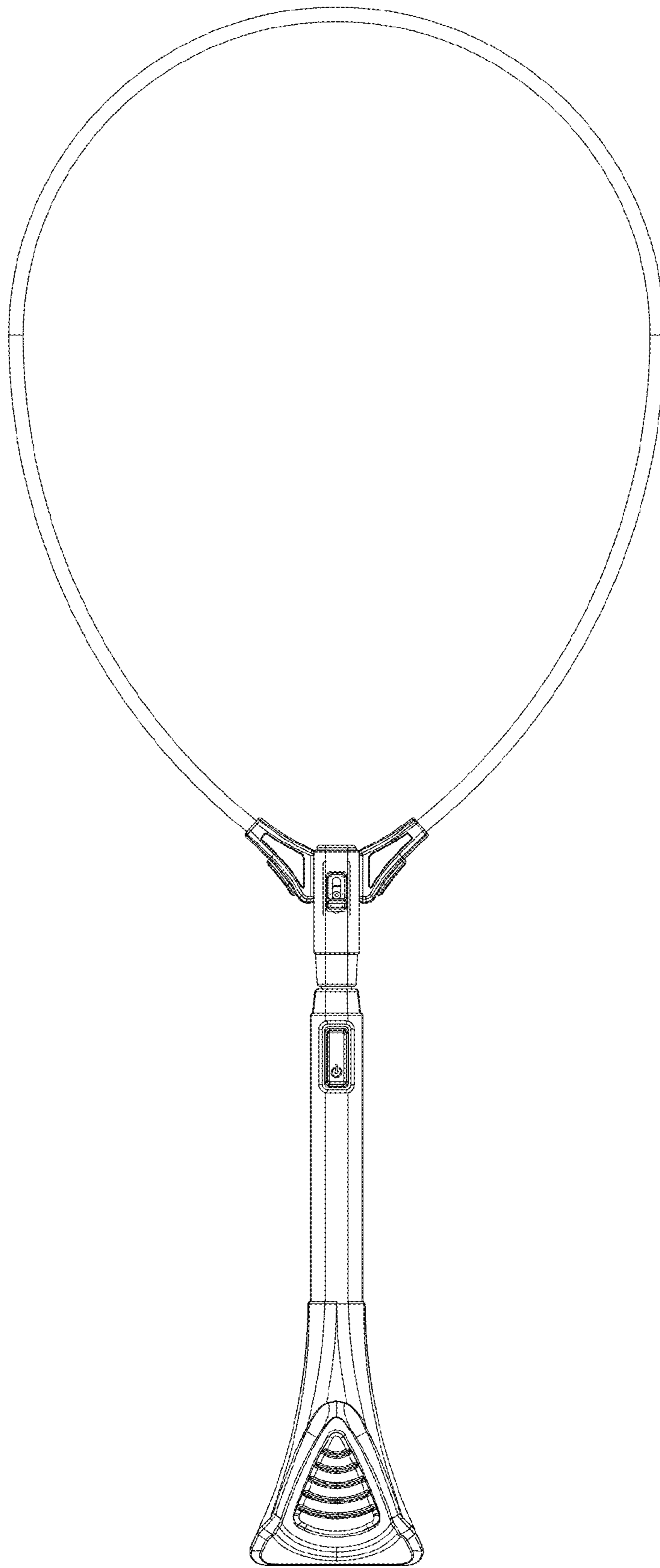


FIG. 2

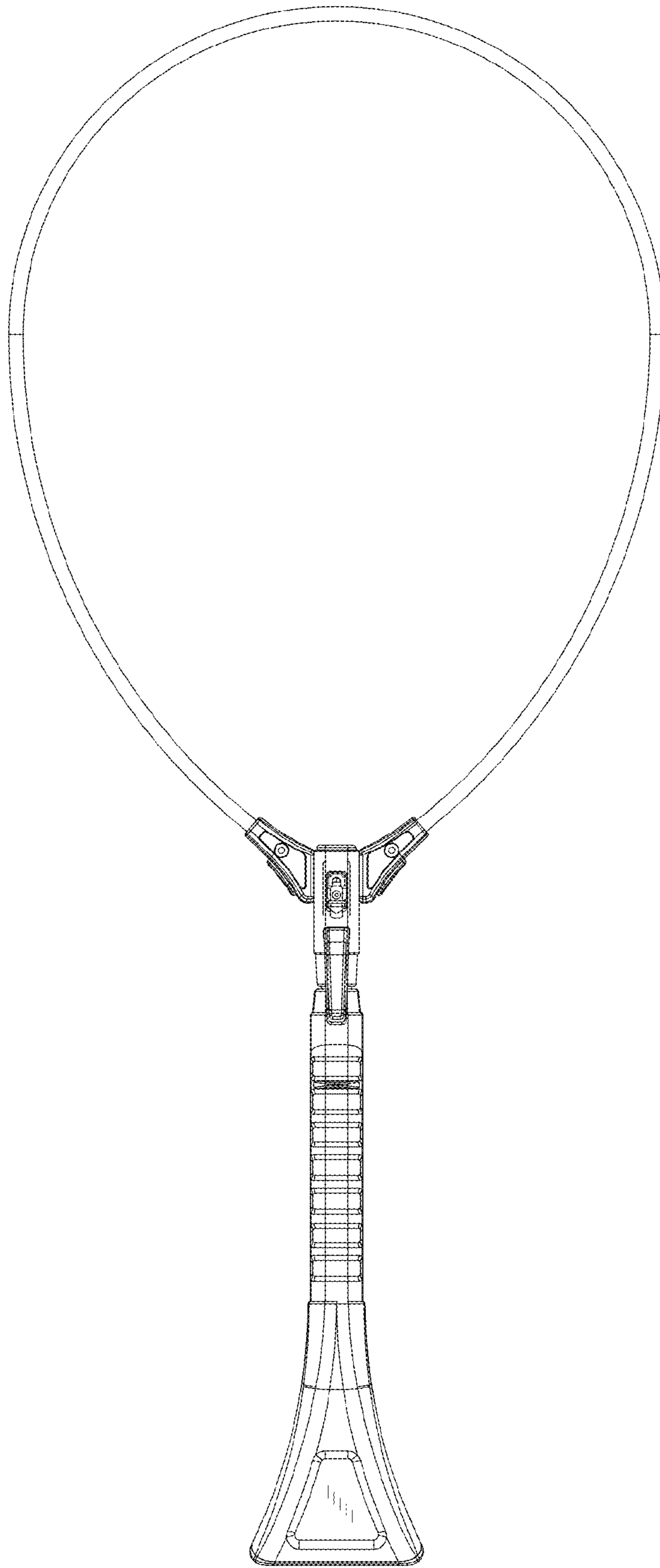


FIG. 3

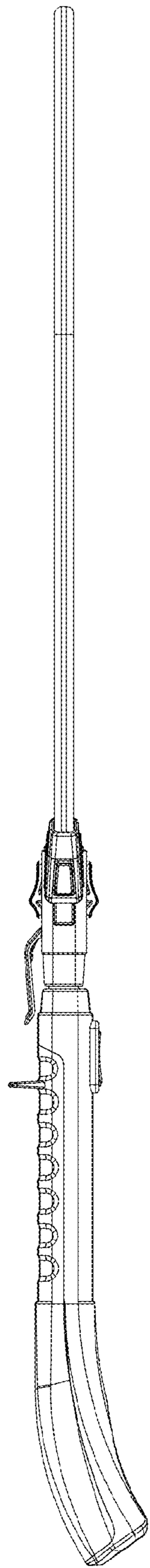


FIG. 4

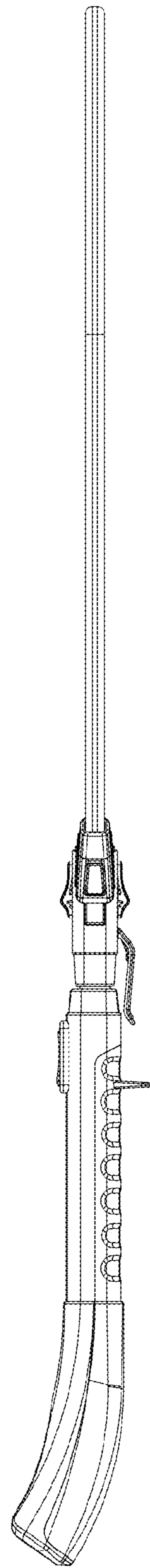


FIG. 5

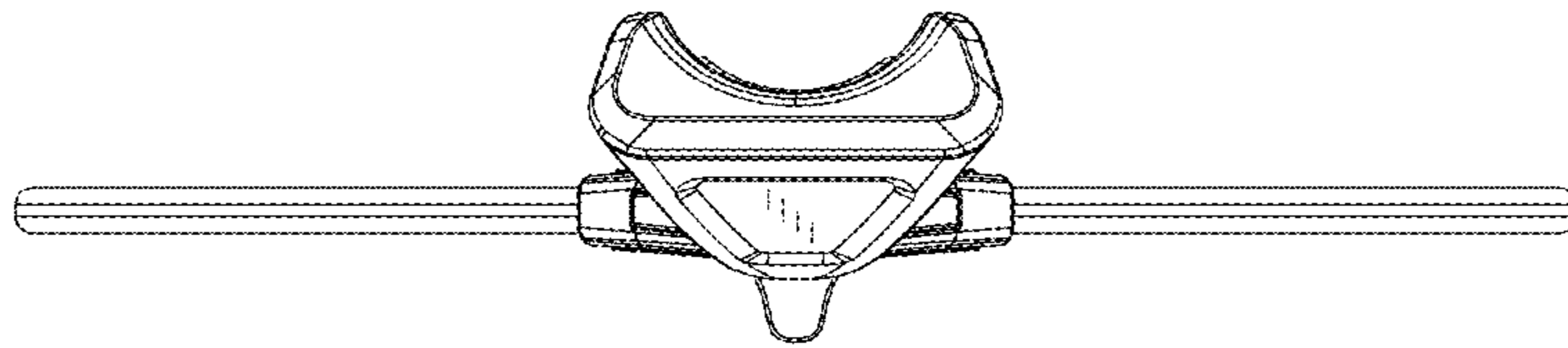


FIG. 6

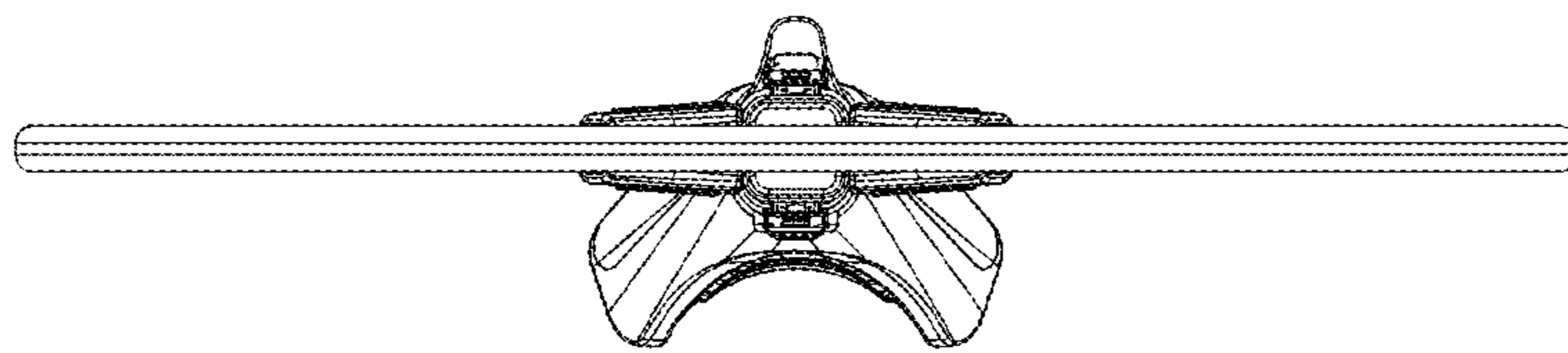


FIG. 7

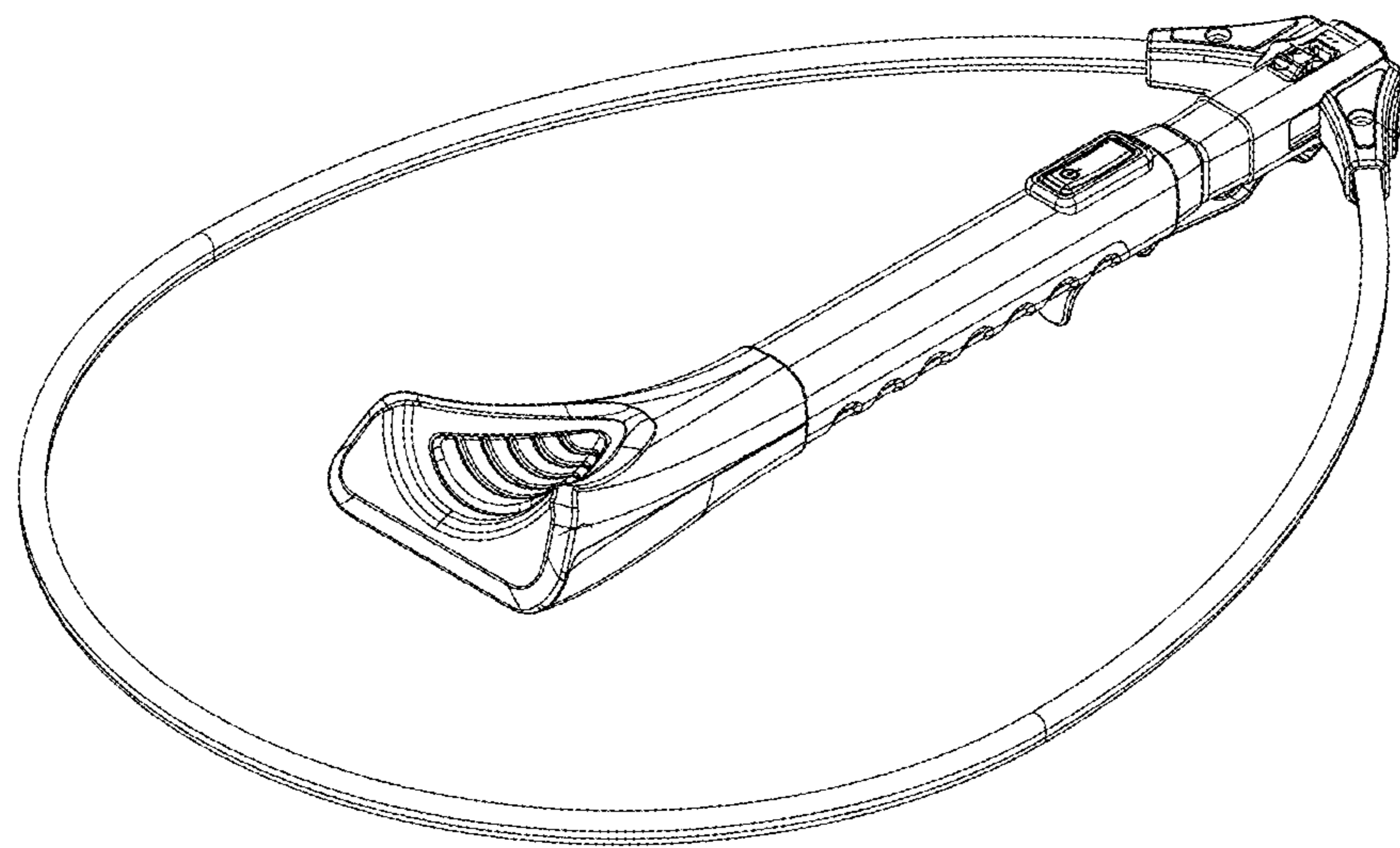


FIG. 8

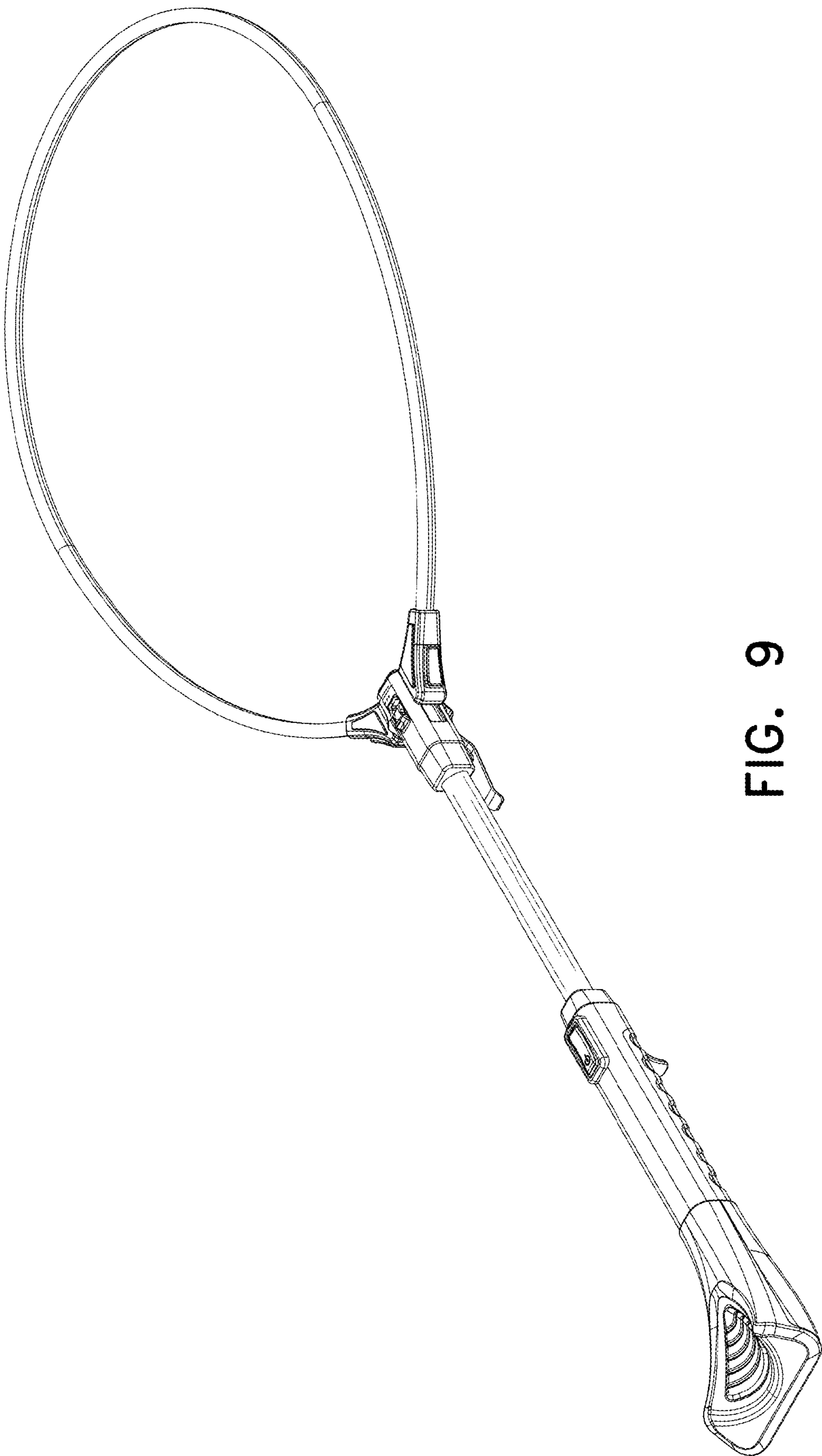


FIG. 9