



US00D902341S

(12) **United States Design Patent** (10) **Patent No.:** **US D902,341 S**
Starr (45) **Date of Patent:** **** Nov. 17, 2020**

(54) **WEAPON MOUNTED LIGHT**

(71) Applicant: **Cory Starr**, Placerville, CA (US)

(72) Inventor: **Cory Starr**, Placerville, CA (US)

(**) Term: **15 Years**

(21) Appl. No.: **29/706,113**

(22) Filed: **Sep. 18, 2019**

(51) **LOC (12) Cl.** **22-01**

(52) **U.S. Cl.**
USPC **D22/108**

(58) **Field of Classification Search**

USPC D22/108; D26/24–27, 38, 40, 42, 46–47,
D26/51, 60, 113, 118, 130–133, 136

CPC F41G 1/35; F41G 1/345

See application file for complete search history.

(56) **References Cited**

U.S. PATENT DOCUMENTS

D799,737 S *	10/2017	Li	D26/118
D803,446 S *	11/2017	Green	D26/49
D803,447 S *	11/2017	Green	D26/49
D814,087 S *	3/2018	Cao	D26/49
10,088,275 B1 *	10/2018	Warren	F41G 1/345
D877,379 S *	3/2020	Qiu	D26/49
D879,345 S *	3/2020	Chen	D26/49
10,619,972 B1 *	4/2020	Glauber	F41G 11/003
D895,868 S *	9/2020	Christensen	D26/49
2020/0064102 A1 *	2/2020	Galli	F41G 11/003
2020/0232761 A1 *	7/2020	Keeney	F41G 1/35
2020/0278180 A1 *	9/2020	Zimmer	F41G 1/36

* cited by examiner

Primary Examiner — Michael A. Pratt

(74) *Attorney, Agent, or Firm* — Asgaard Patent Services, LLC; F. Wayne Thompson Jr.

(57) **CLAIM**

The ornamental design for a weapon mounted light, as shown and described.

DESCRIPTION

FIG. 1 is a top, front, right side isometric view of a first embodiment of a weapon mounted light;

FIG. 2 is a bottom, rear, left side isometric view of the weapon mounted light shown in FIG. 1;

FIG. 3 is a front view of the weapon mounted light shown in FIG. 1;

FIG. 4 is a right side view of the weapon mounted light shown in FIG. 1;

FIG. 5 is a rear view of the weapon mounted light shown in FIG. 1;

FIG. 6 is a left side view of the weapon mounted light shown in FIG. 1;

FIG. 7 is a top view of the weapon mounted light shown in FIG. 1; and

FIG. 8 is a bottom view of the weapon mounted light shown in FIG. 1.

FIG. 9 is a top, front, right side isometric view of a second embodiment of a weapon mounted light;

FIG. 10 is a bottom, rear, left side isometric view of the weapon mounted light shown in FIG. 9;

FIG. 11 is a front view of the weapon mounted light shown in FIG. 9;

FIG. 12 is a right side view of the weapon mounted light shown in FIG. 9;

FIG. 13 is a rear view of the weapon mounted light shown in FIG. 9;

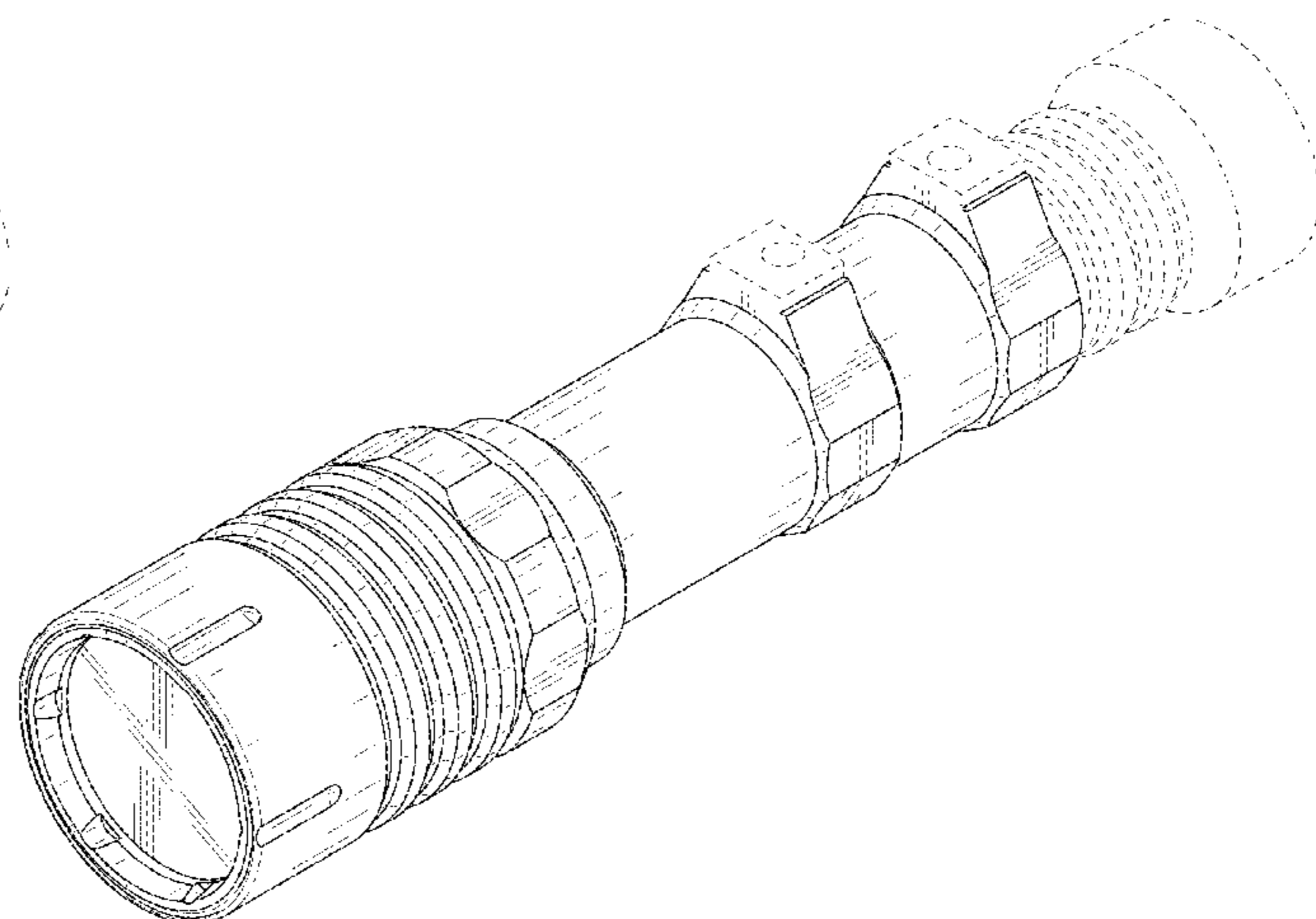
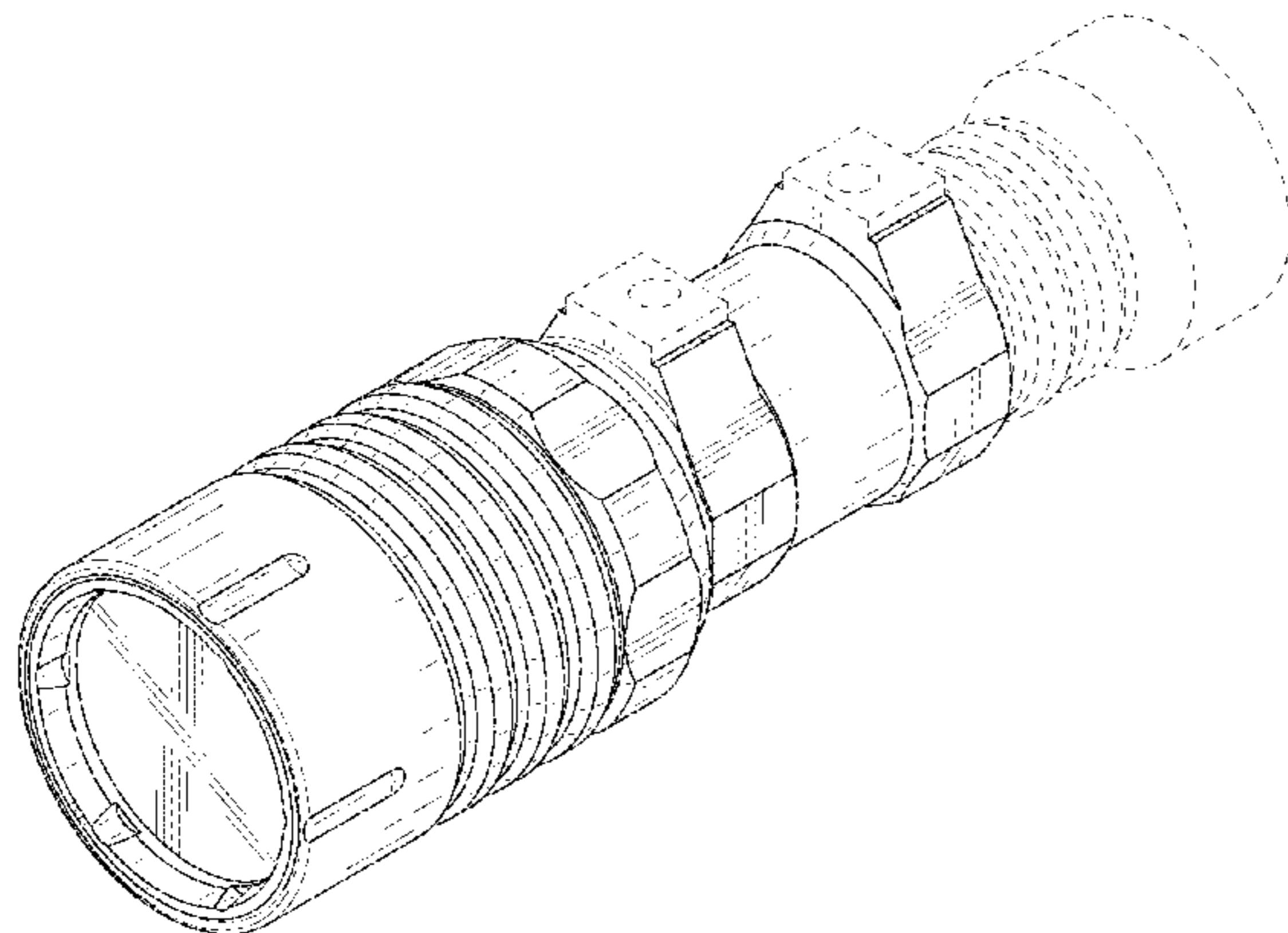
FIG. 14 is a left side view of the weapon mounted light shown in FIG. 9;

FIG. 15 is a top view of the weapon mounted light shown in FIG. 9; and,

FIG. 16 is a bottom view of the weapon mounted light shown in FIG. 9.

The broken lines shown in the drawings represent portions of the weapon mounted light that form no part of the claimed design.

1 Claim, 10 Drawing Sheets



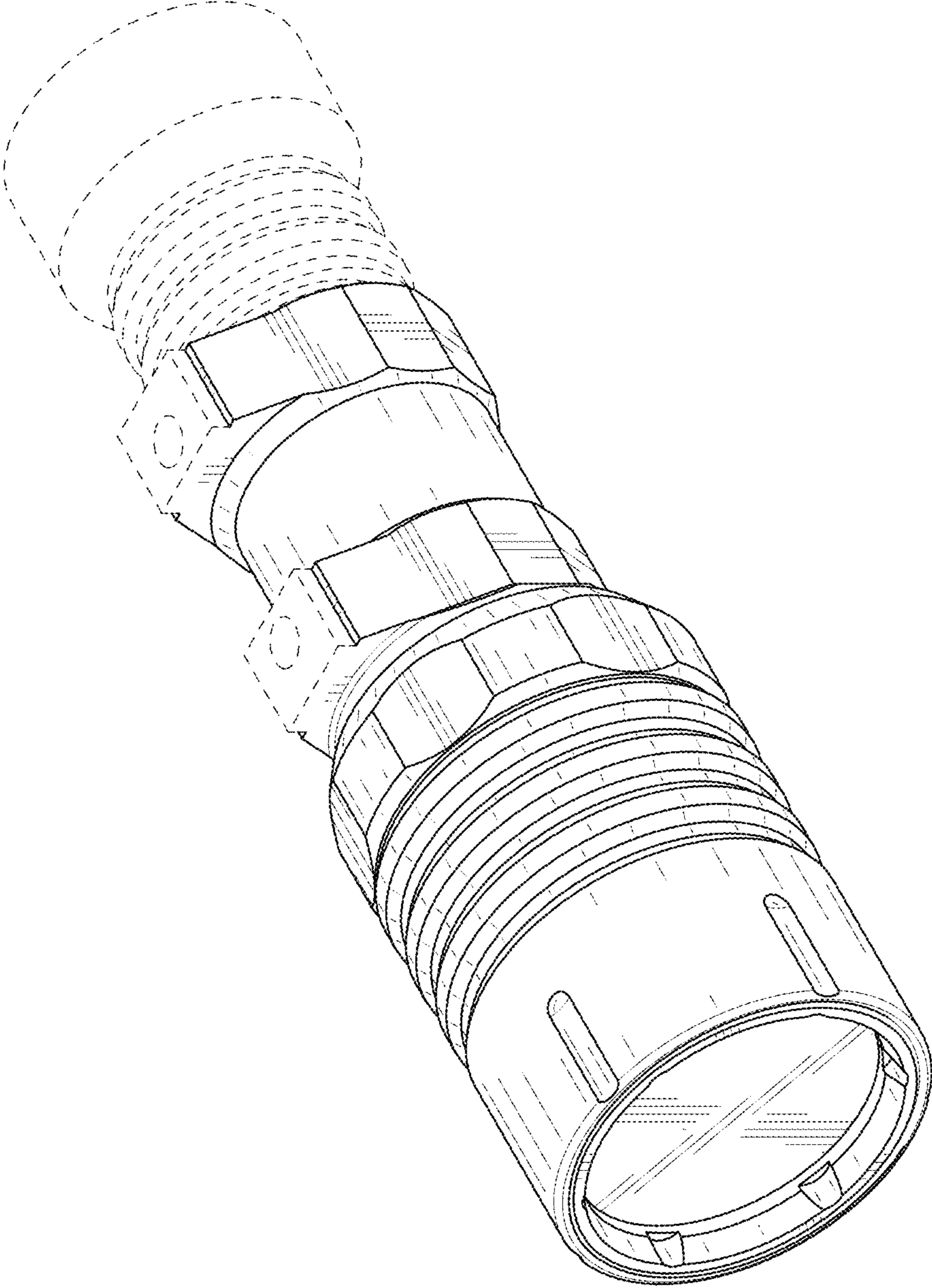


FIG. 1

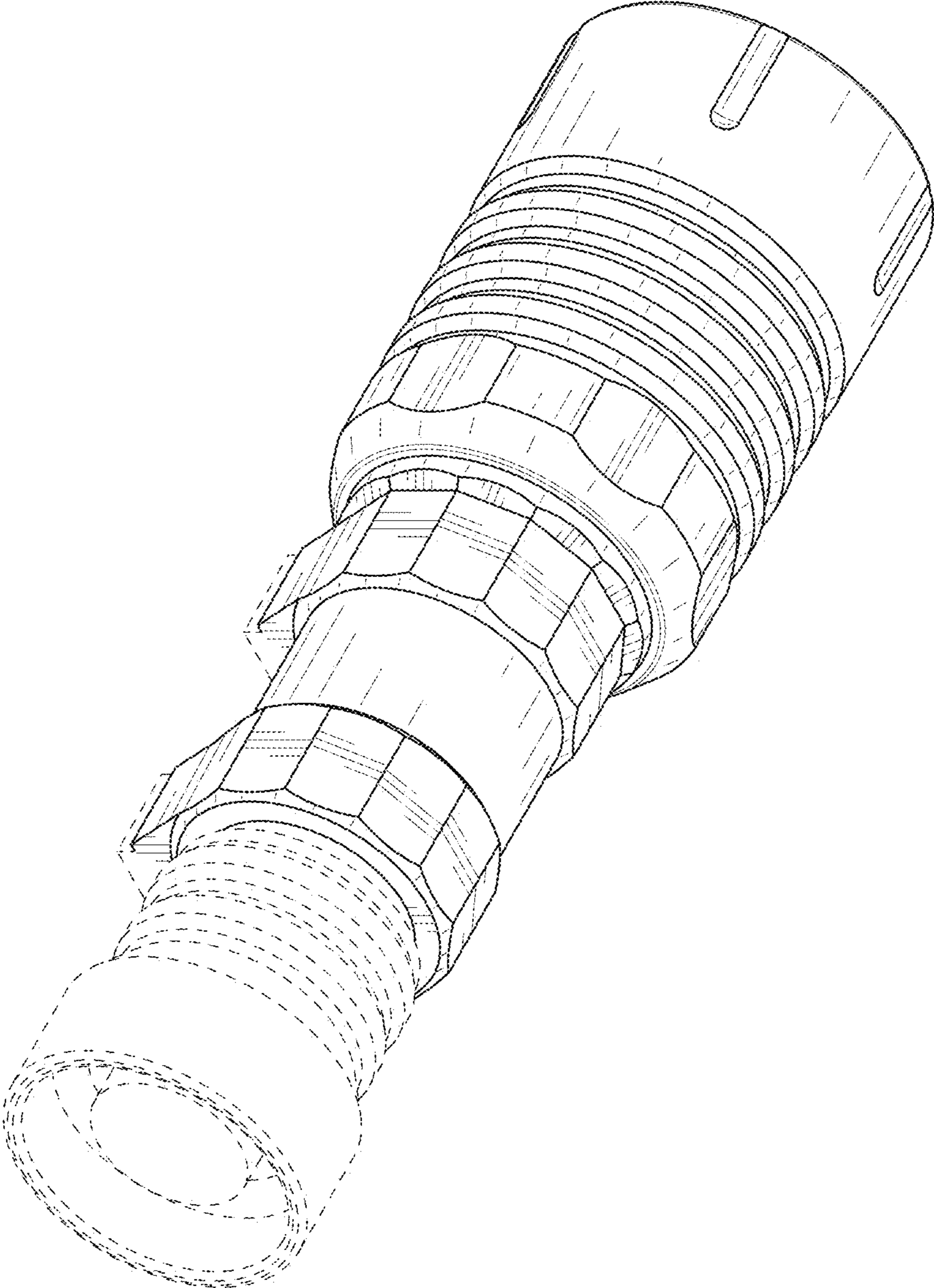


FIG. 2

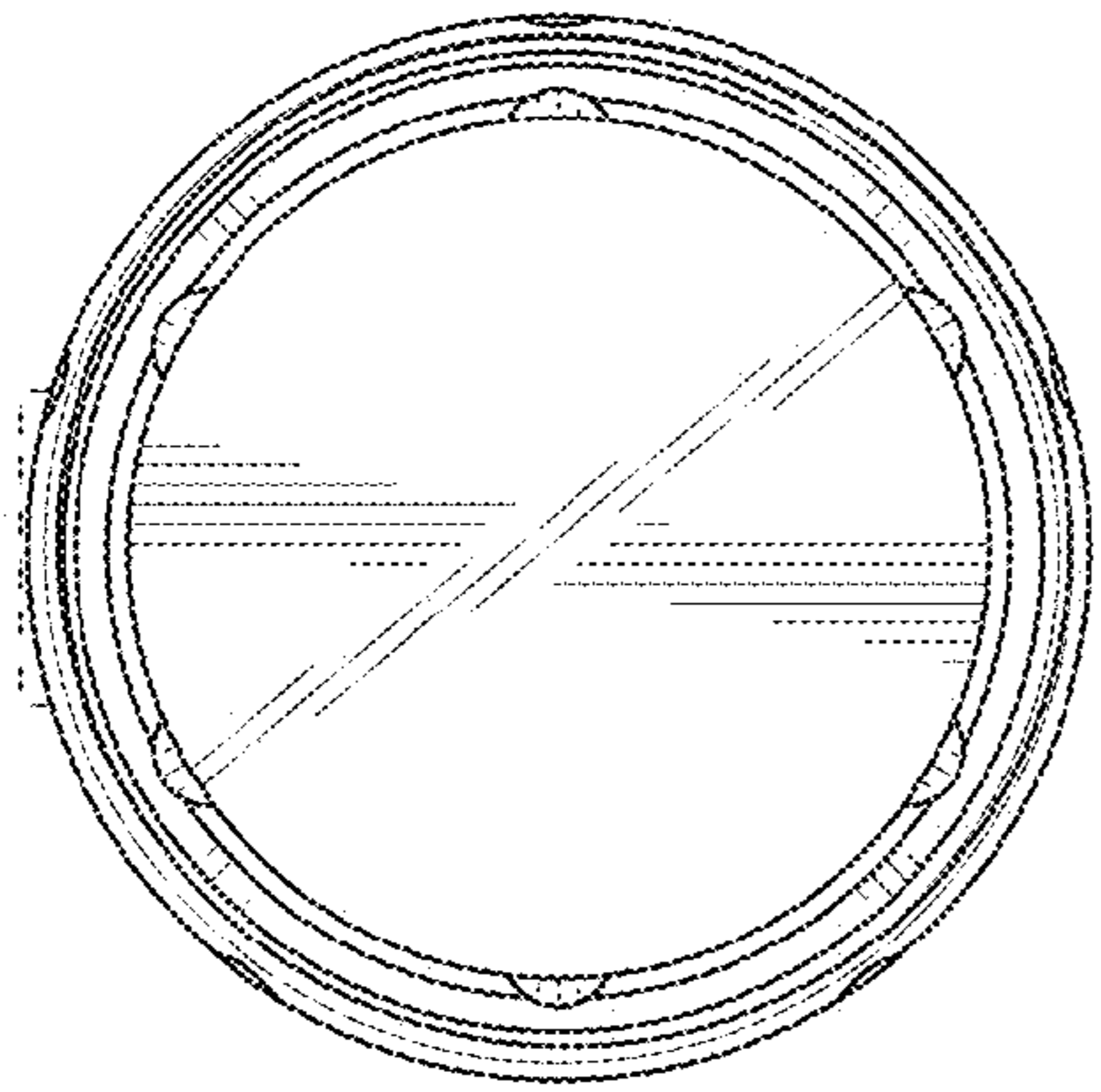


FIG. 3

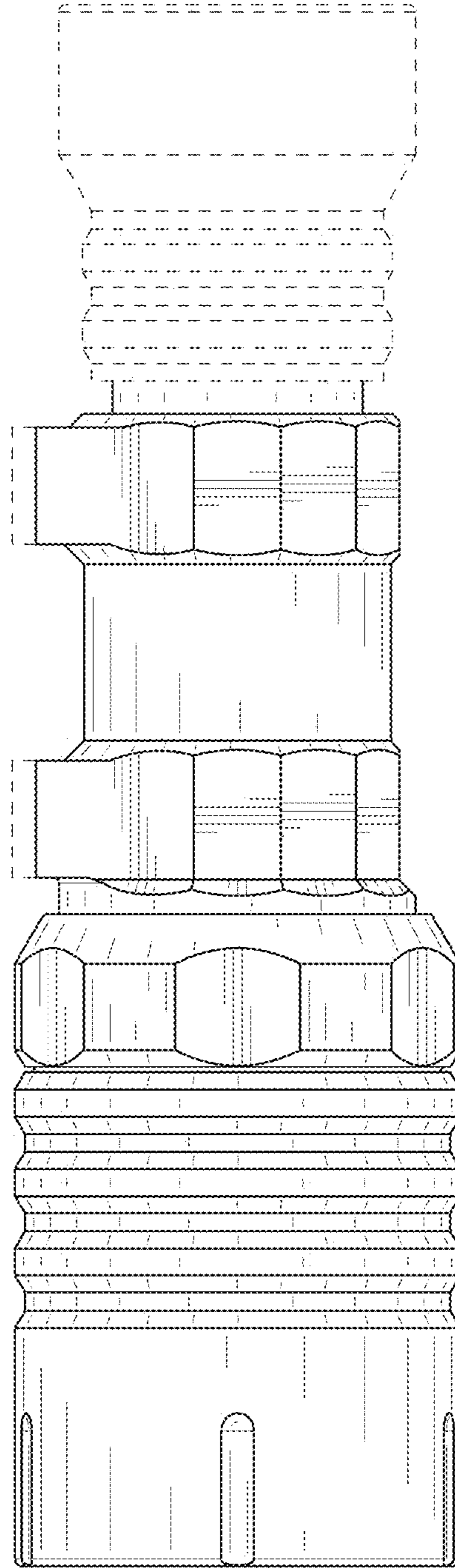


FIG. 4

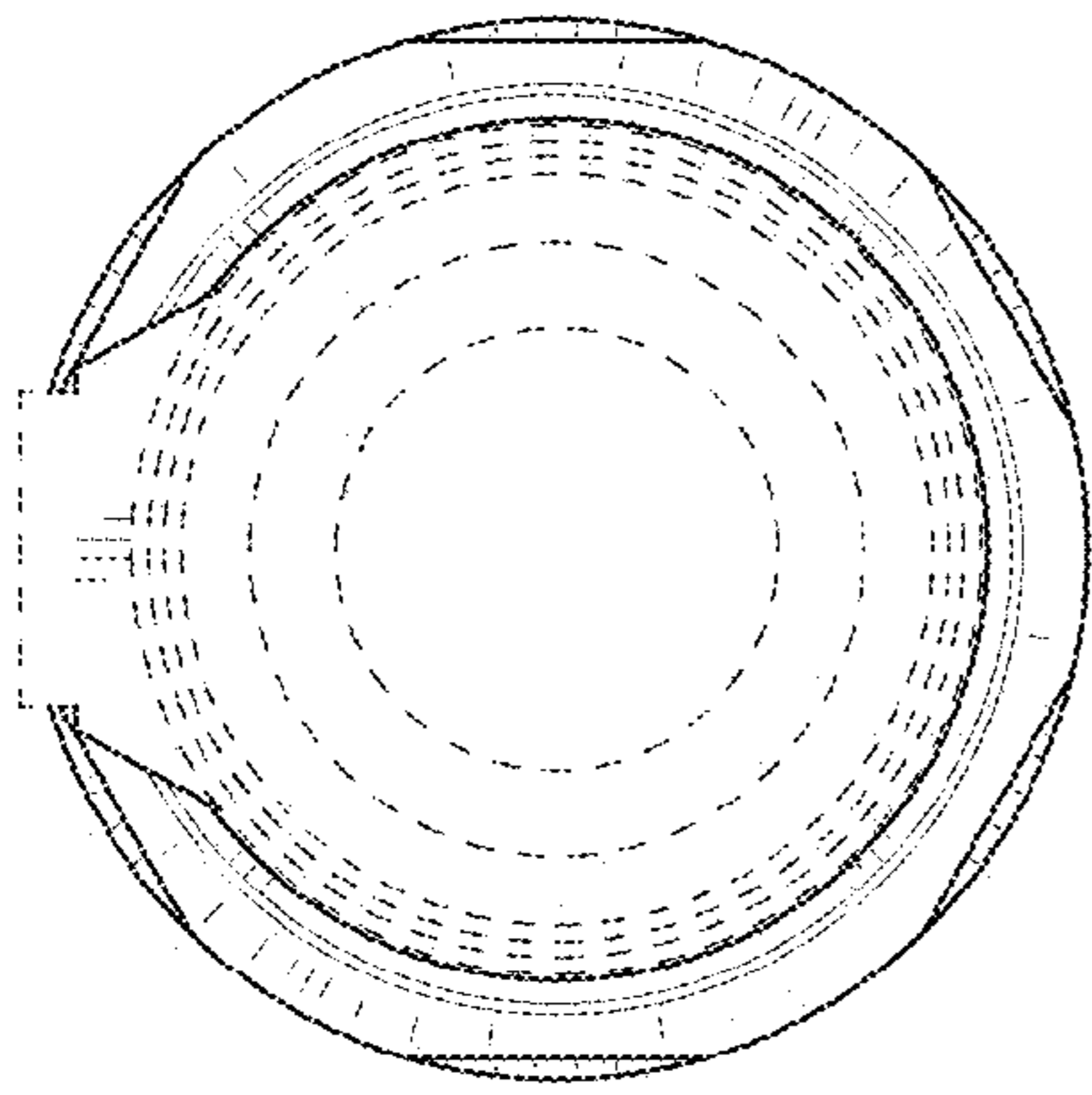


FIG. 5

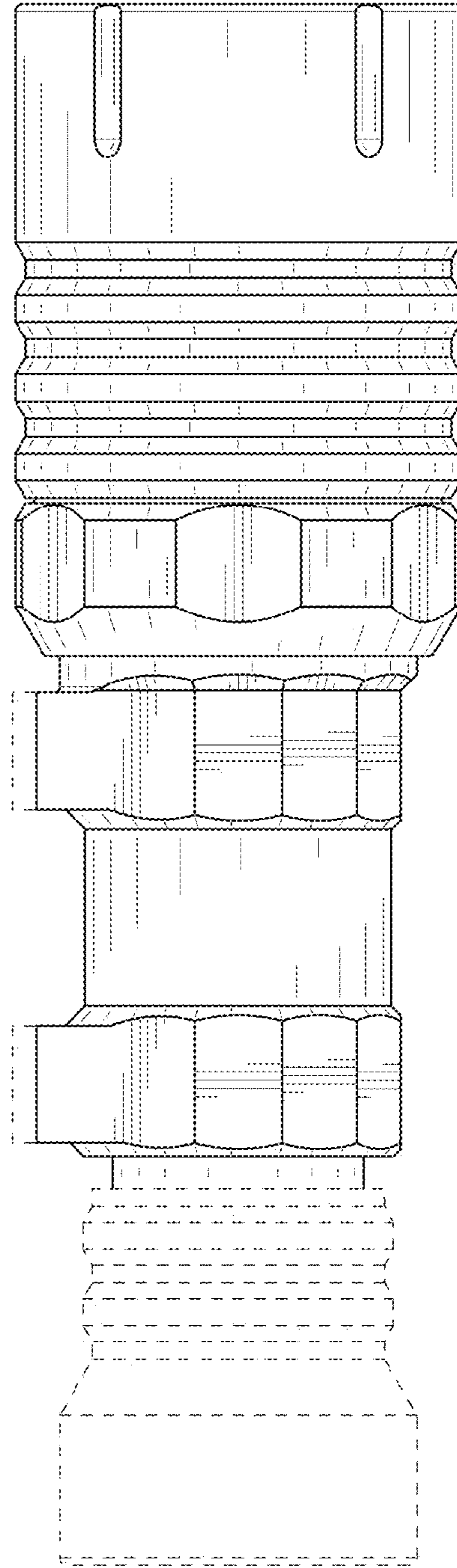


FIG. 6

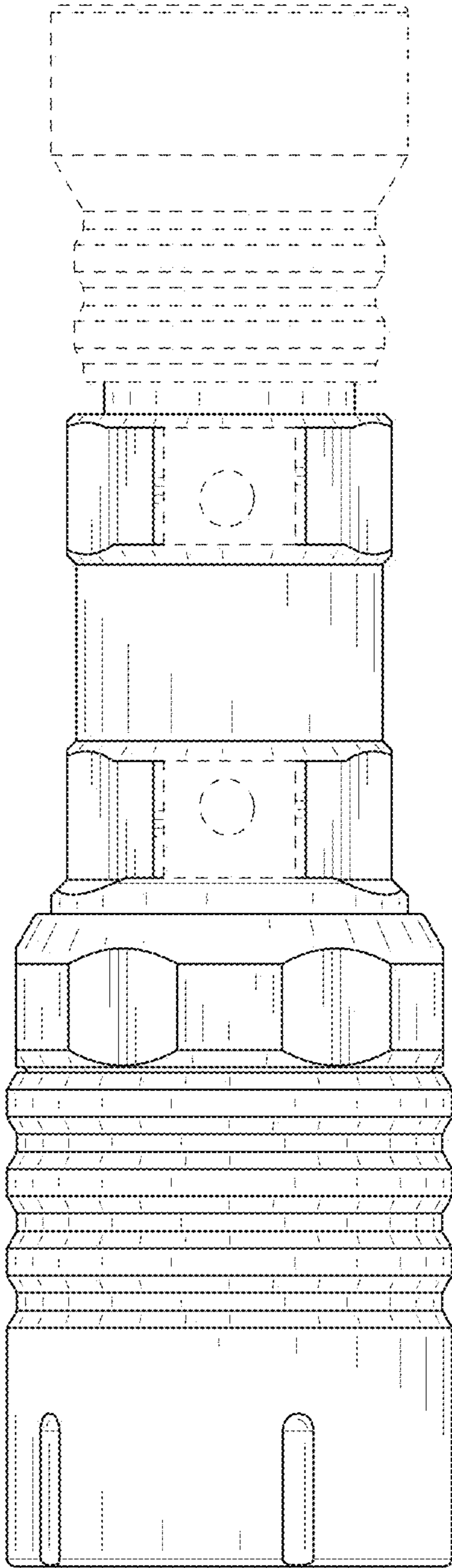


FIG. 7

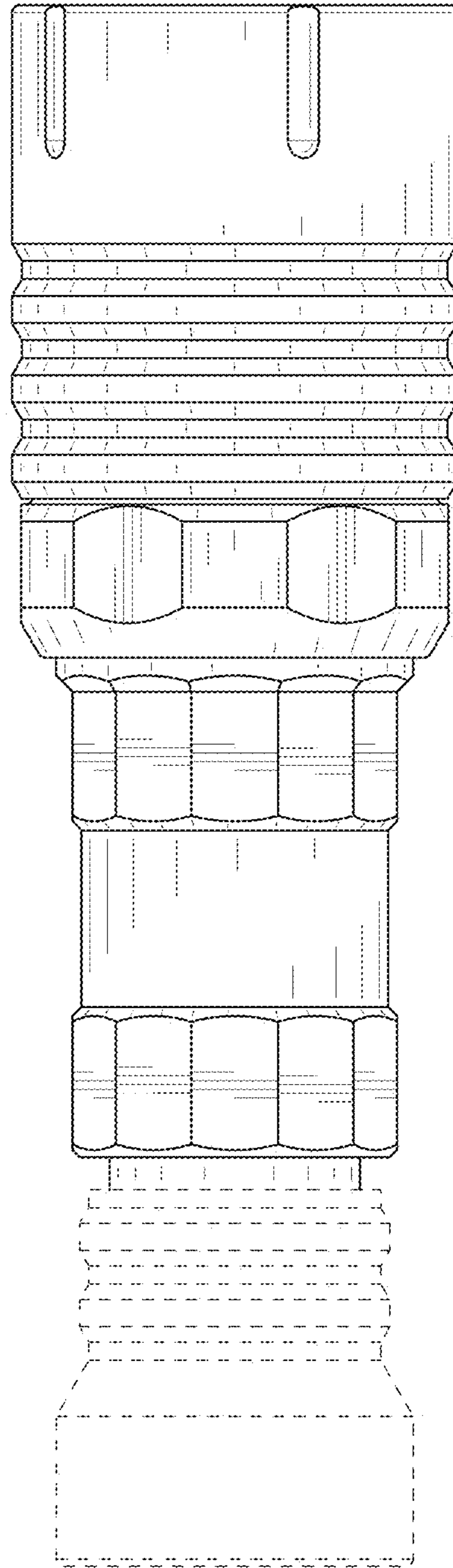


FIG. 8

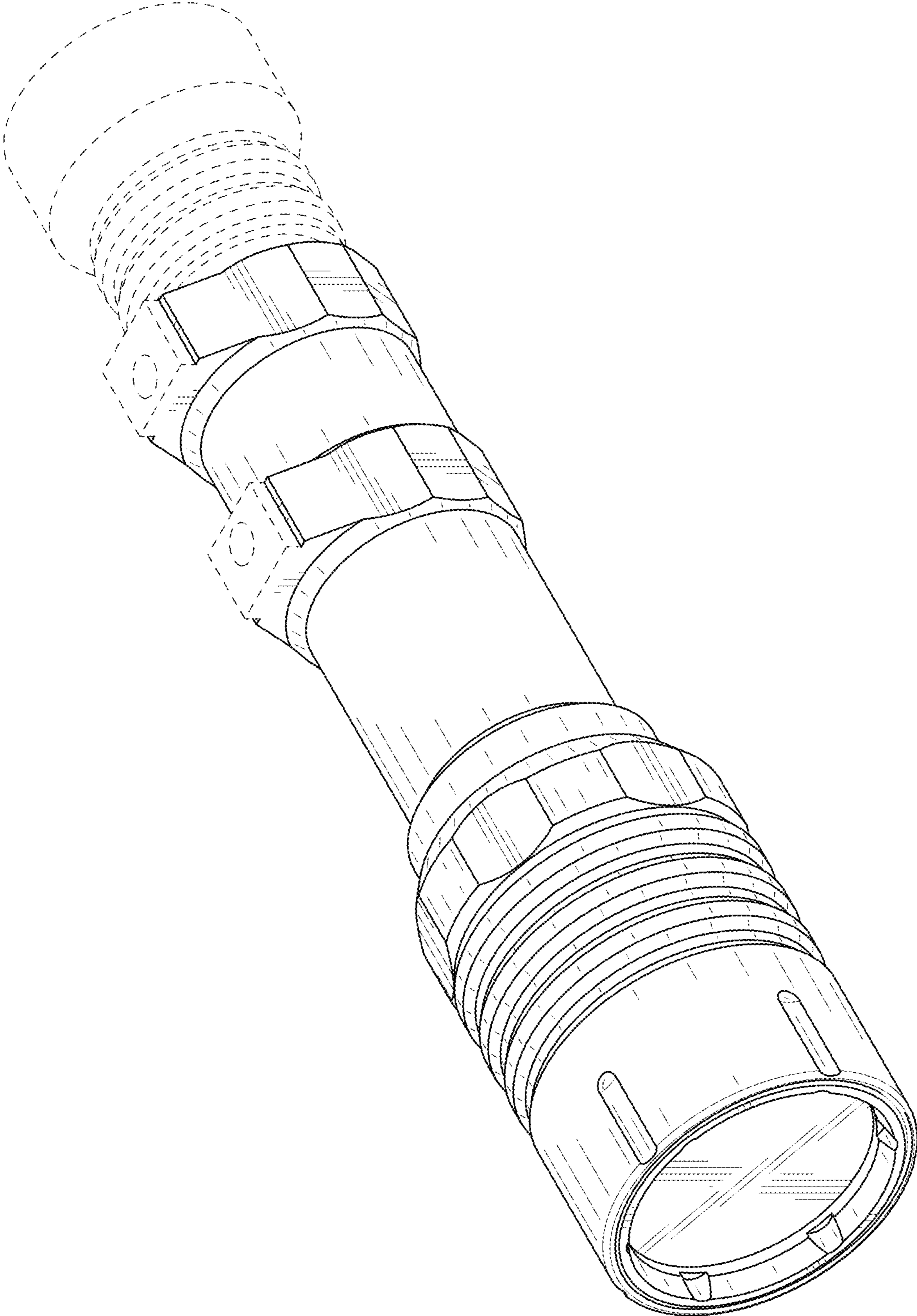


FIG. 9

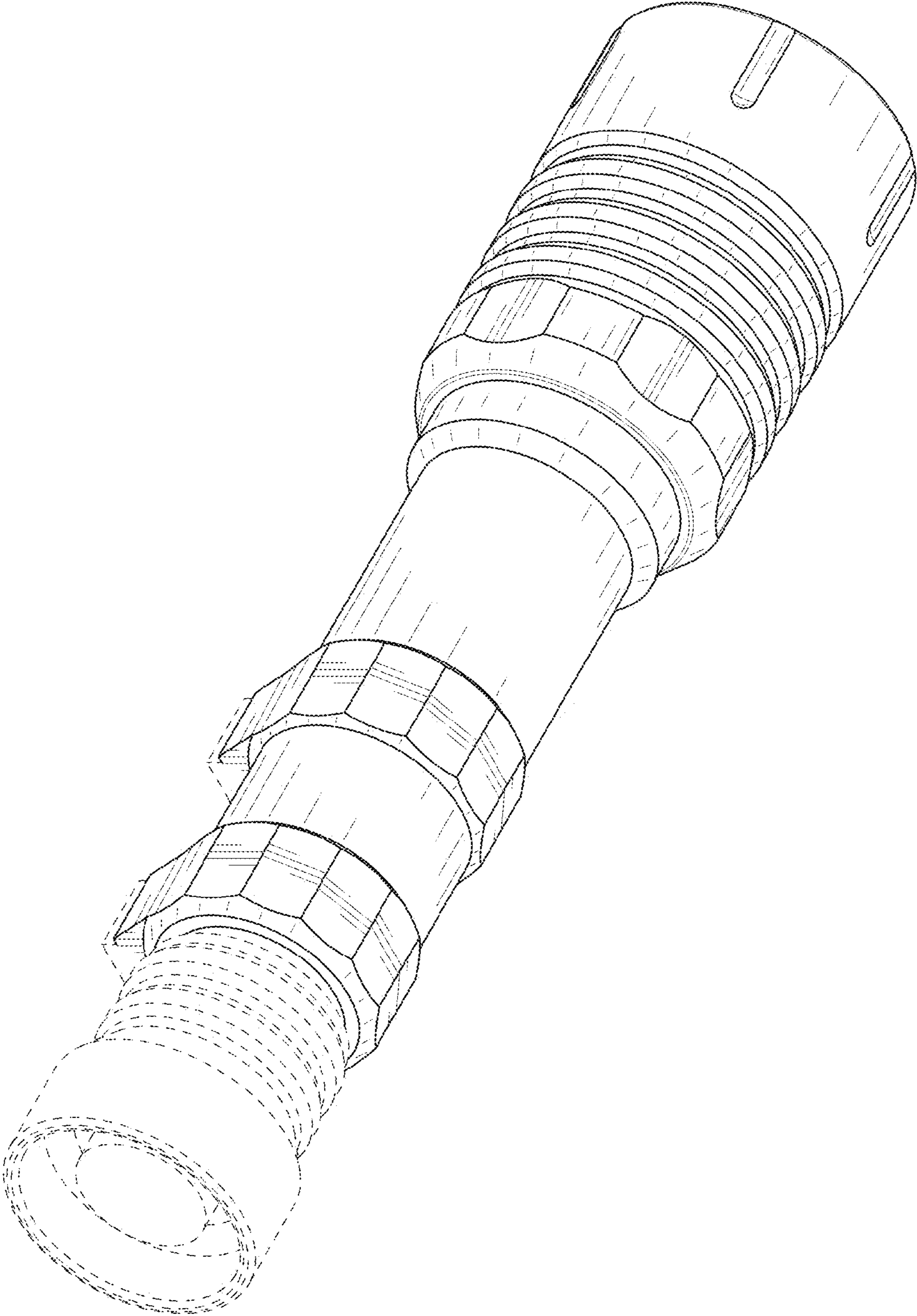


FIG. 10

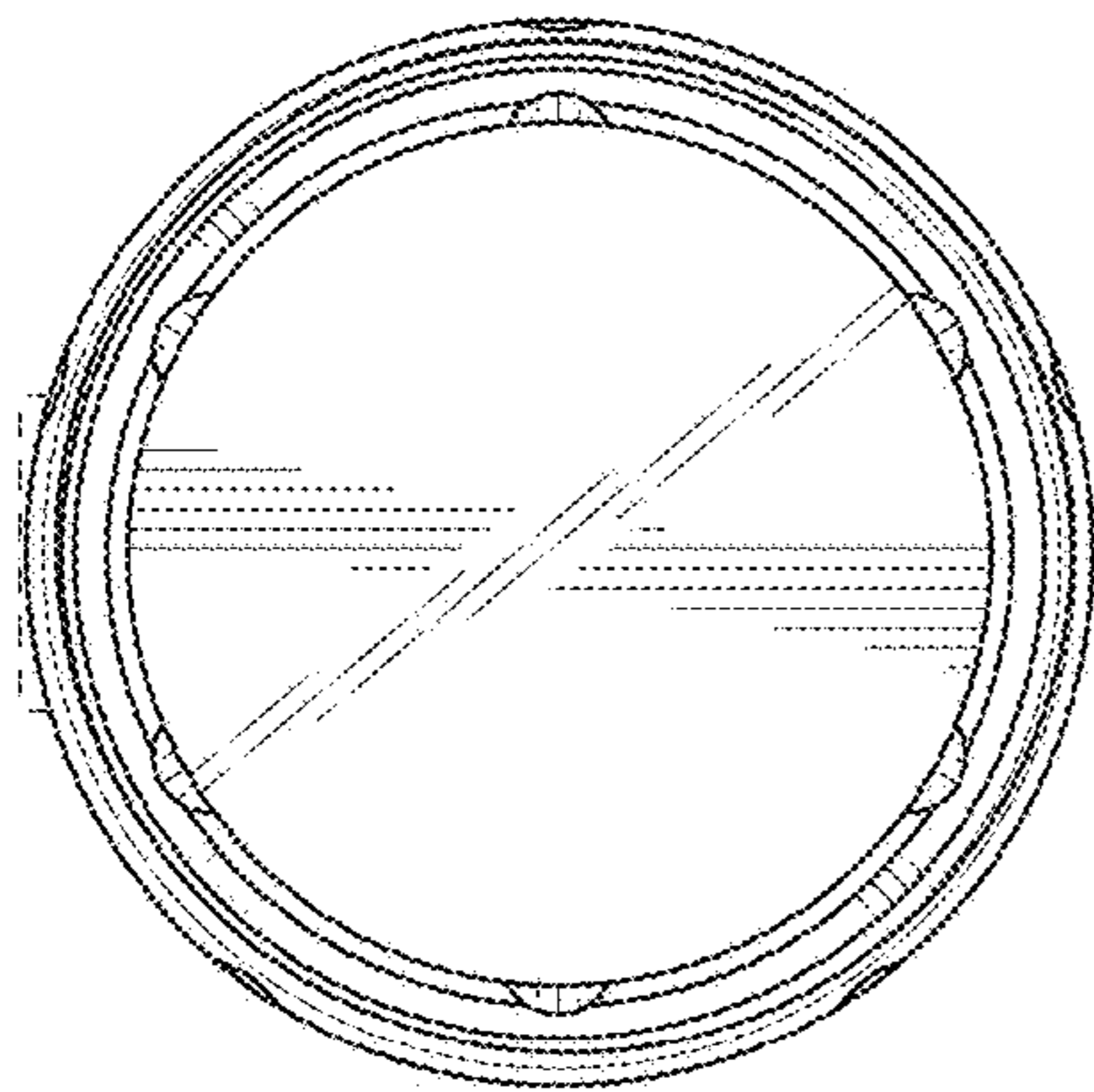


FIG. 11

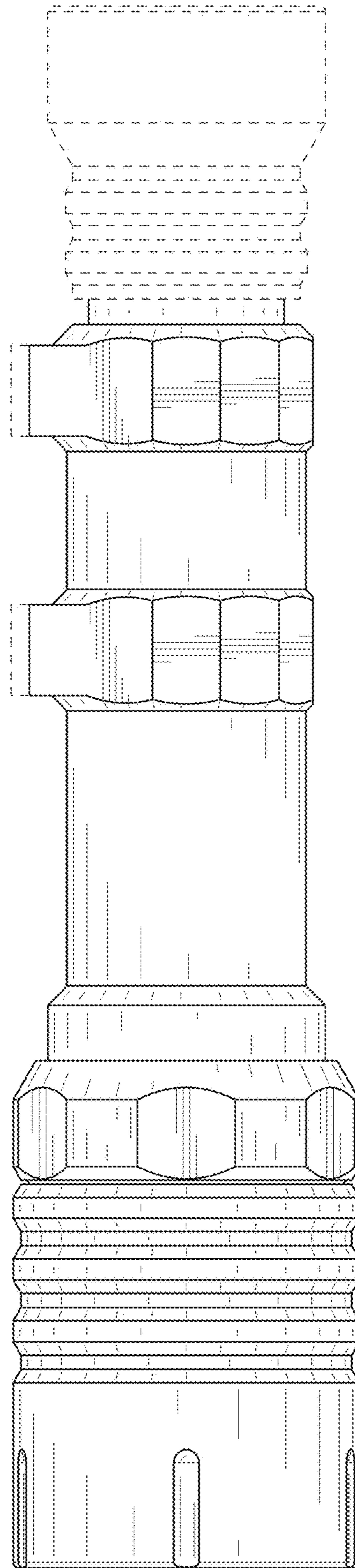


FIG. 12

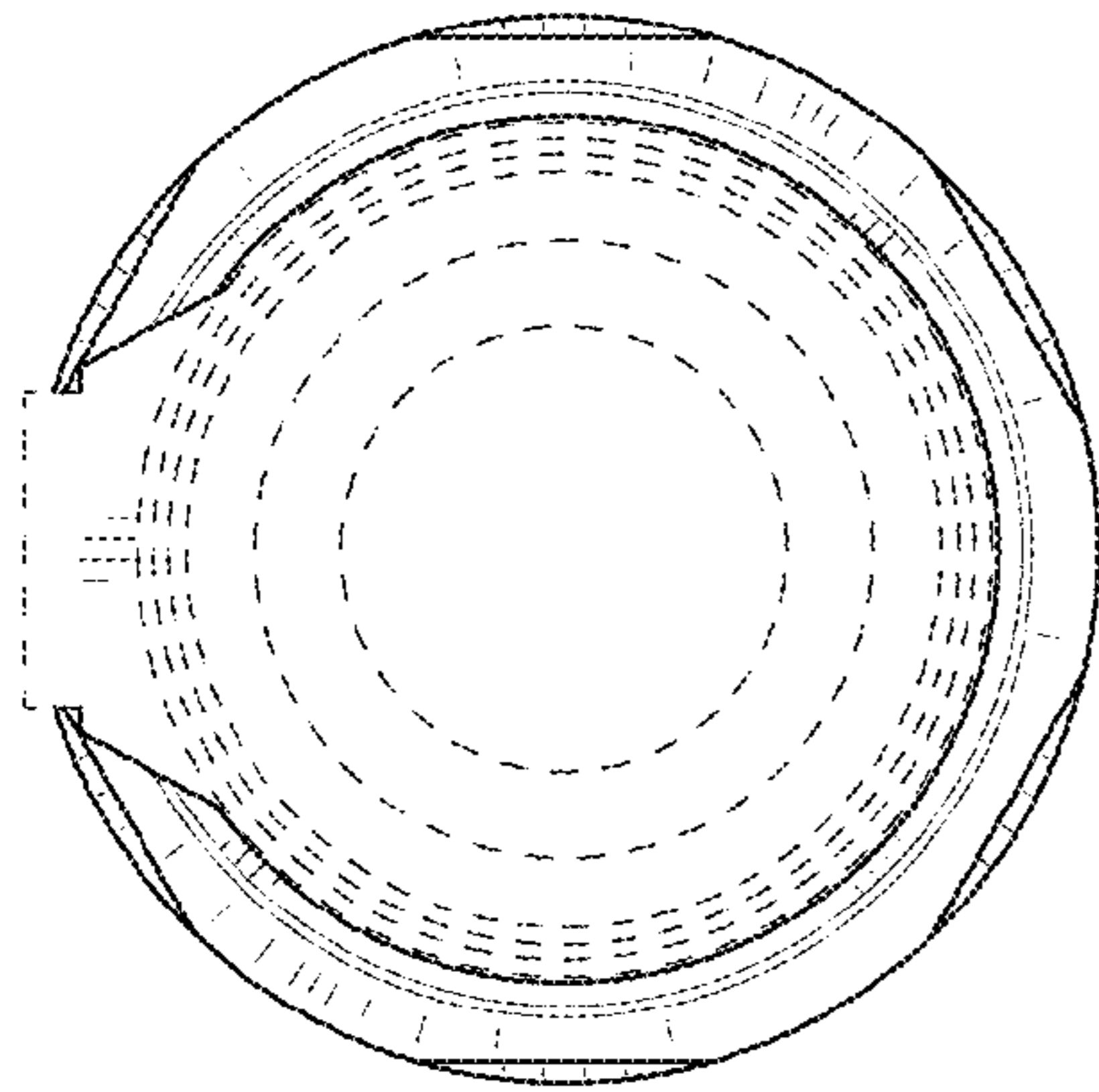


FIG. 13

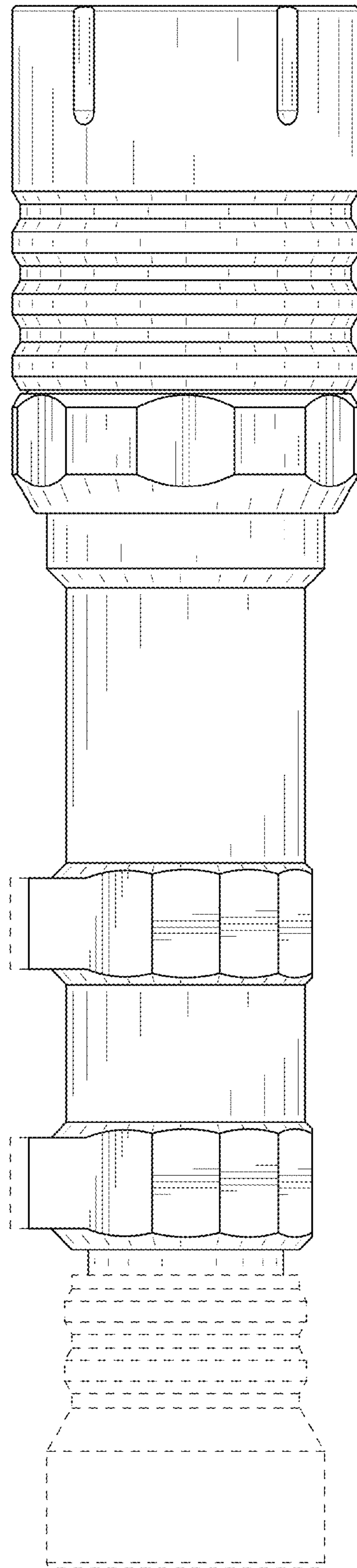


FIG. 14

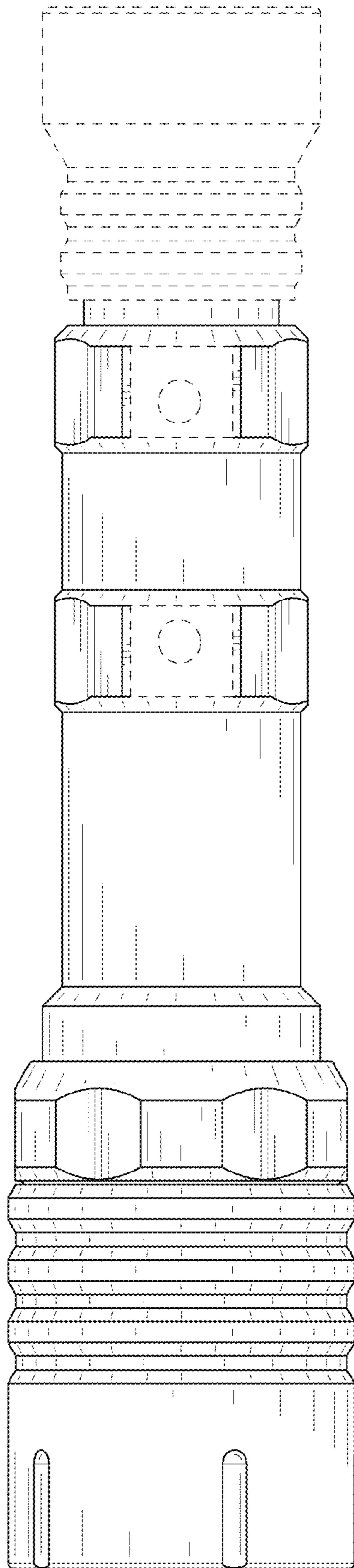


FIG. 15

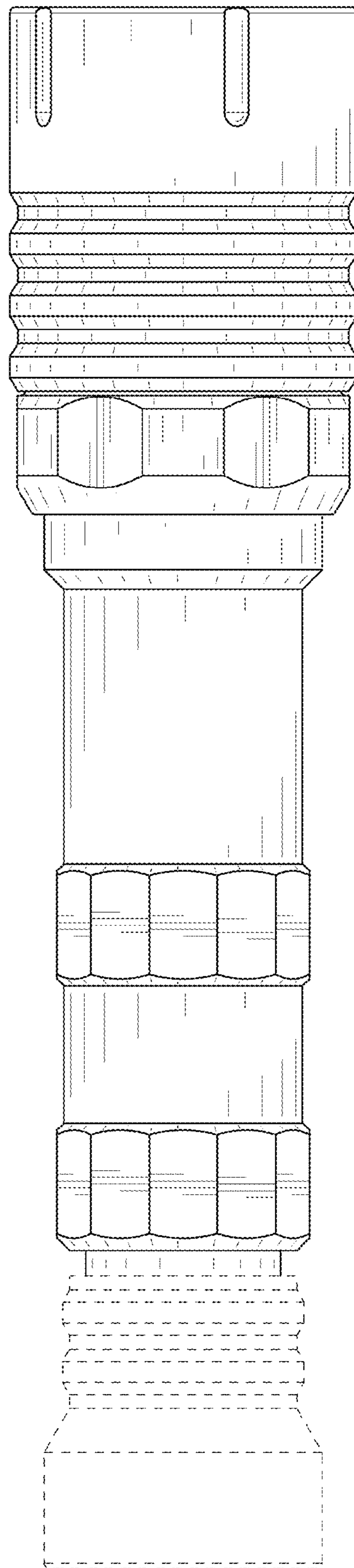


FIG. 16