



US00D902340S

(12) **United States Design Patent** (10) **Patent No.:** **US D902,340 S**
Rofkahr, Jr. et al. (45) **Date of Patent:** **** Nov. 17, 2020**

(54) **CIRCULAR EAR RECTANGULAR BODY
ABSORBING BLOCK**

(71) Applicants: **James J. Rofkahr, Jr.**, Altus, AR (US);
Michael D. Rofkahr, Ozark, AR (US)

(72) Inventors: **James J. Rofkahr, Jr.**, Altus, AR (US);
Michael D. Rofkahr, Ozark, AR (US)

(**) Term: **15 Years**

(21) Appl. No.: **29/689,050**

(22) Filed: **Apr. 26, 2019**

(51) **LOC (12) Cl.** **22-01**

(52) **U.S. Cl.**
USPC **D22/108**

(58) **Field of Classification Search**
USPC D22/108
CPC F41C 23/08
See application file for complete search history.

(56) **References Cited**

U.S. PATENT DOCUMENTS

D864,342 S * 10/2019 Rofkahr, Jr. D22/108
D864,343 S * 10/2019 Rofkahr, Jr. D22/108
D865,900 S * 11/2019 Rofkahr, Jr. D22/108

* cited by examiner

Primary Examiner — Michael A. Pratt
(74) *Attorney, Agent, or Firm* — Keisling & Pieper PLC;
David B. Pieper; Trent C. Keisling

(57) **CLAIM**

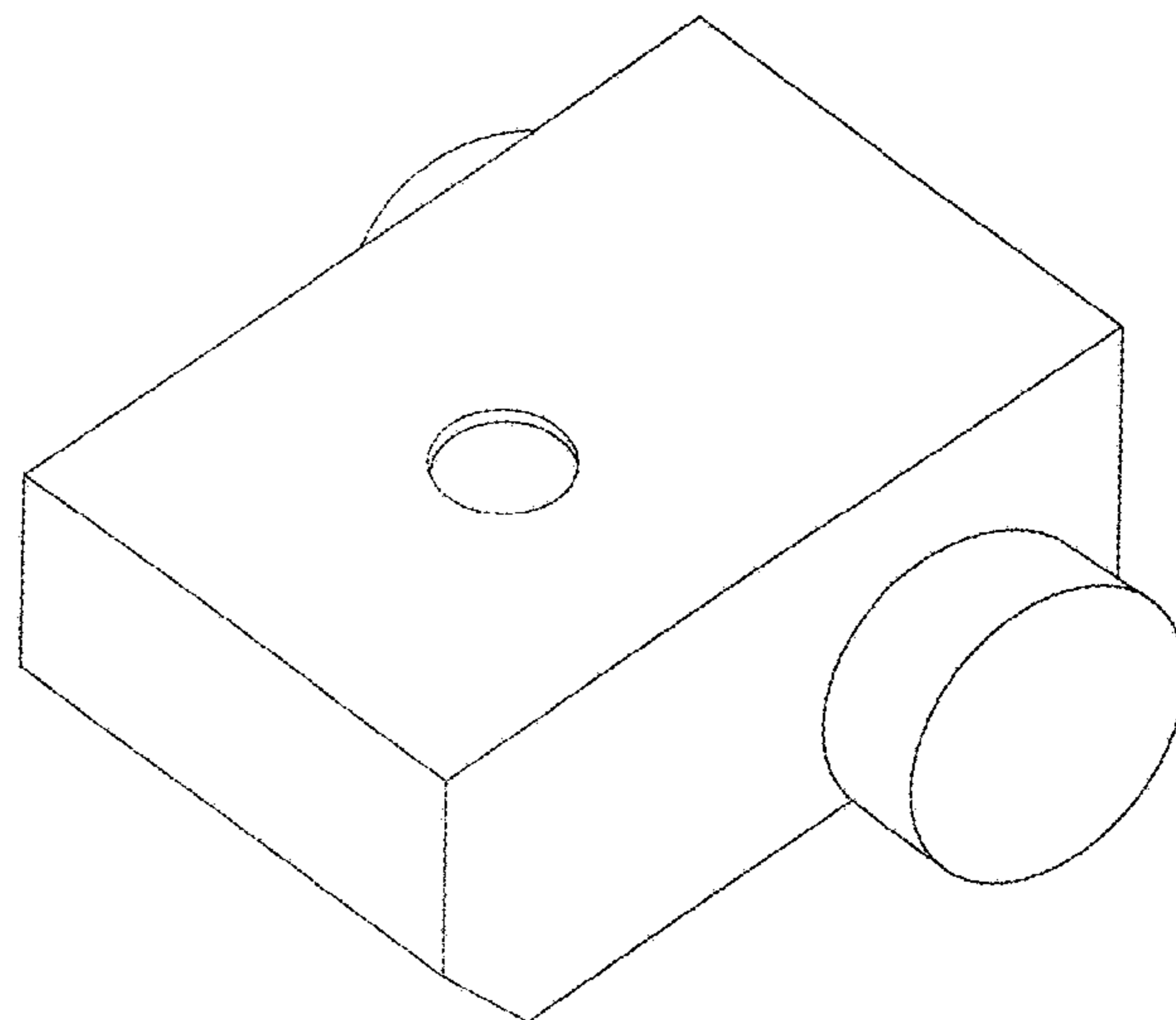
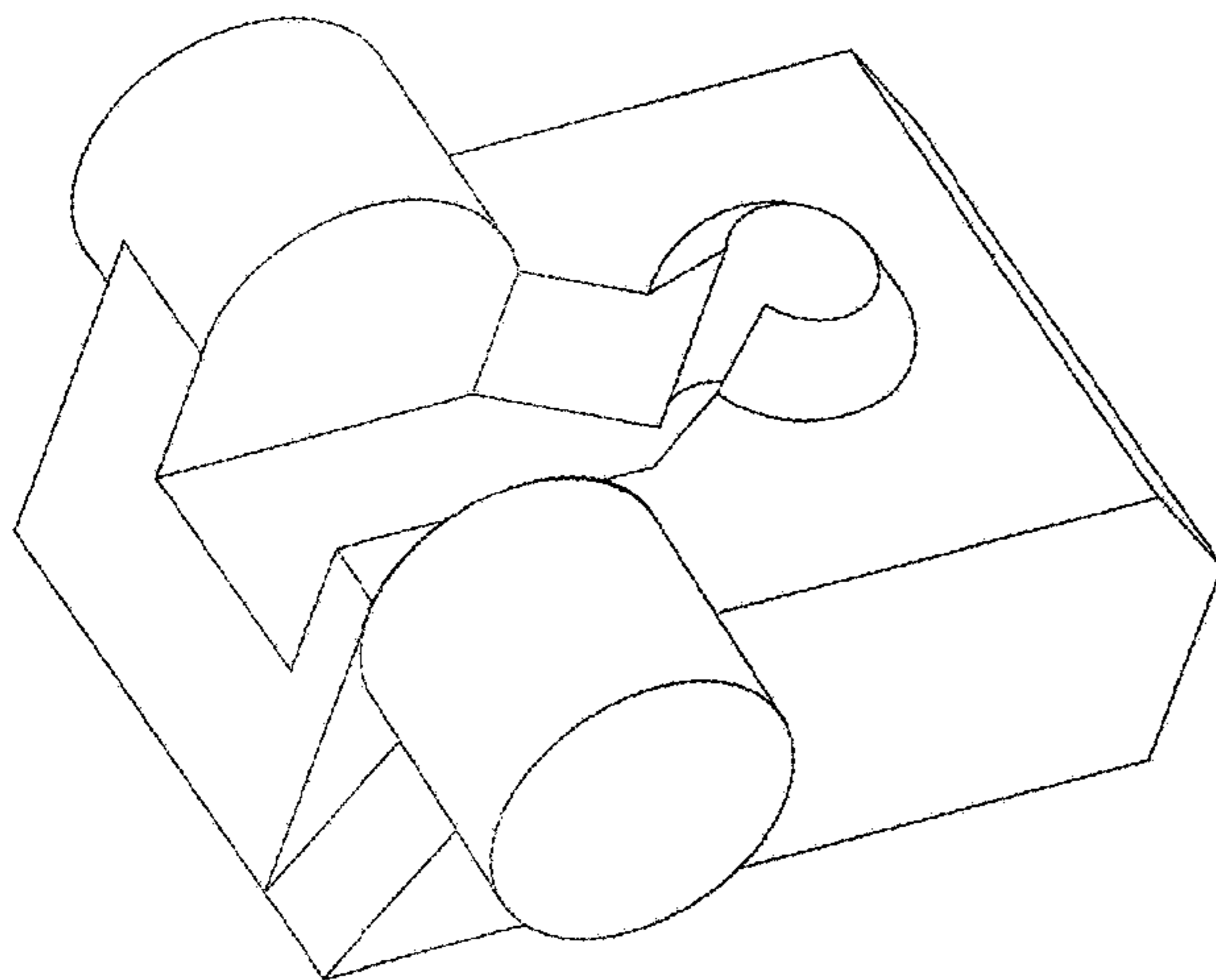
The ornamental design for a circular ear rectangular body absorbing block, as shown and described.

DESCRIPTION

FIG. 1 is a perspective view of a circular ear rectangular body absorbing block showing my new design;
FIG. 2 is another perspective view showing my new design;
FIG. 3 is a left side view thereof;
FIG. 4 is a front view thereof;
FIG. 5 is a right side view thereof;
FIG. 6 is a back view thereof;
FIG. 7 is a top view thereof; and
FIG. 8 is a bottom view thereof; and
FIG. 9 is an environmental view showing the absorbing block mounted into the body of a handgun; and,
FIG. 10 is another environmental view showing positioning of the absorbing block after initial assembly or during cleaning of the handgun.

The broken lines showing the handgun are for the purpose of illustrating environmental structure and form no part of the claimed design.

1 Claim, 10 Drawing Sheets



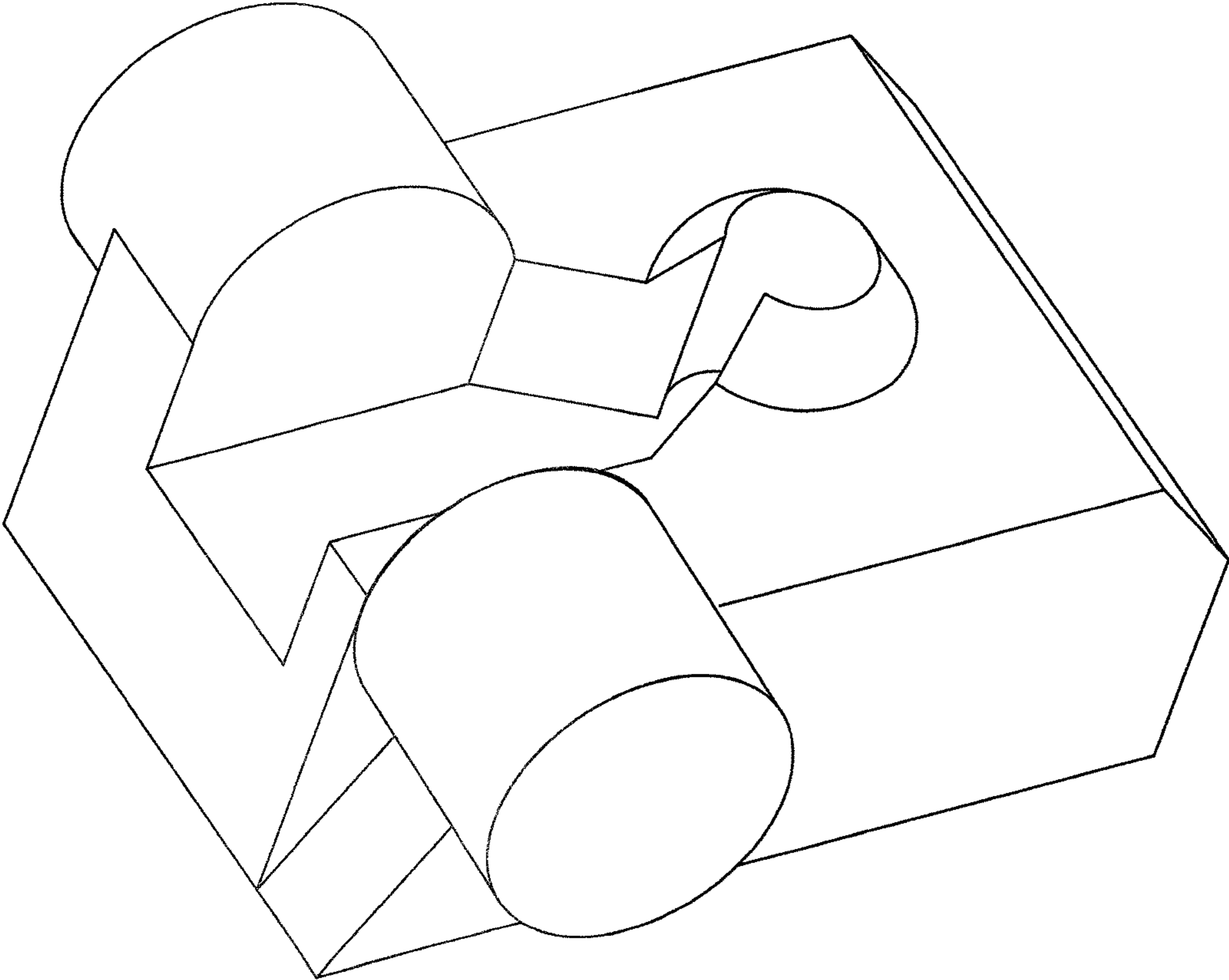


Figure 1

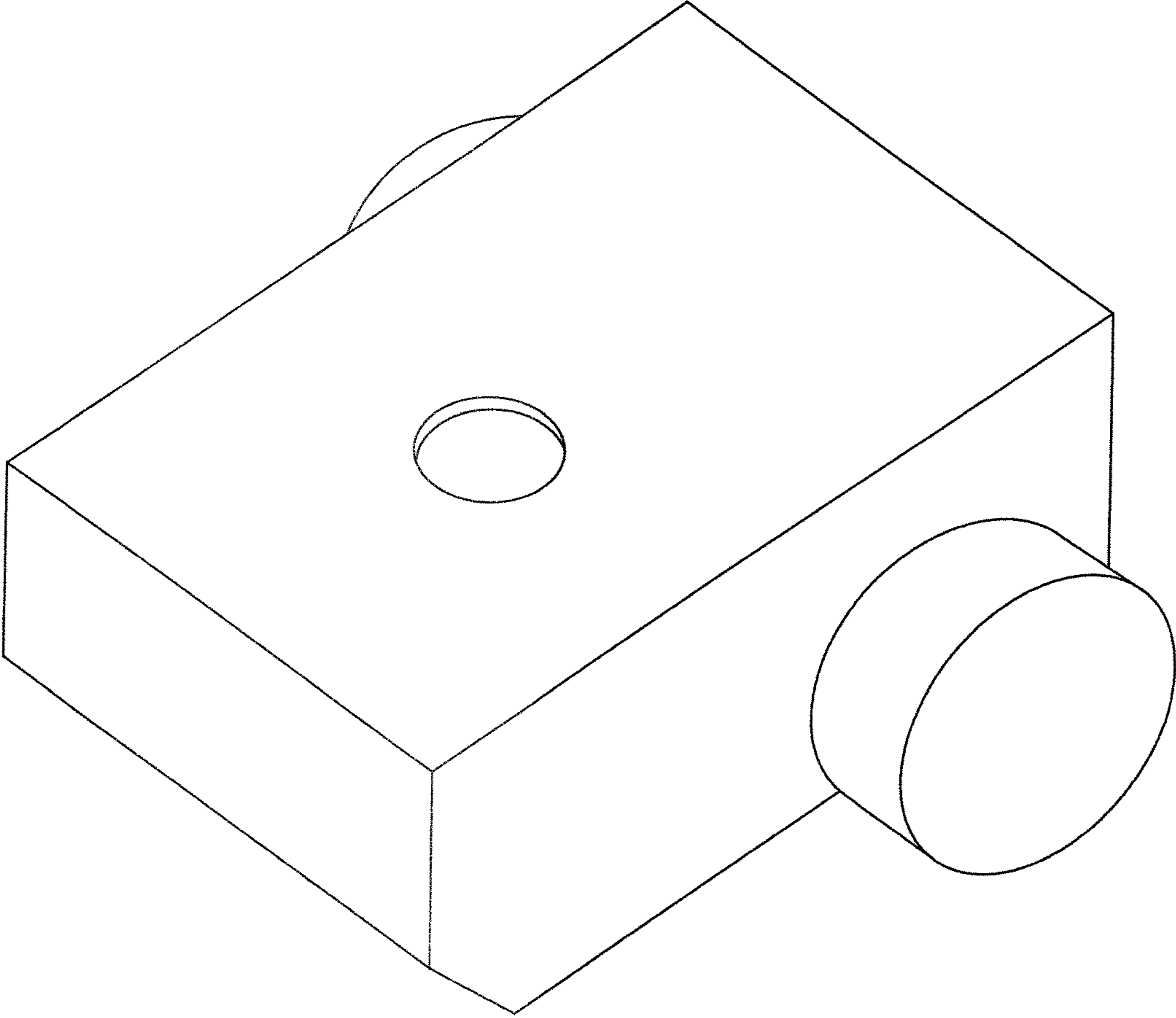


Figure 2

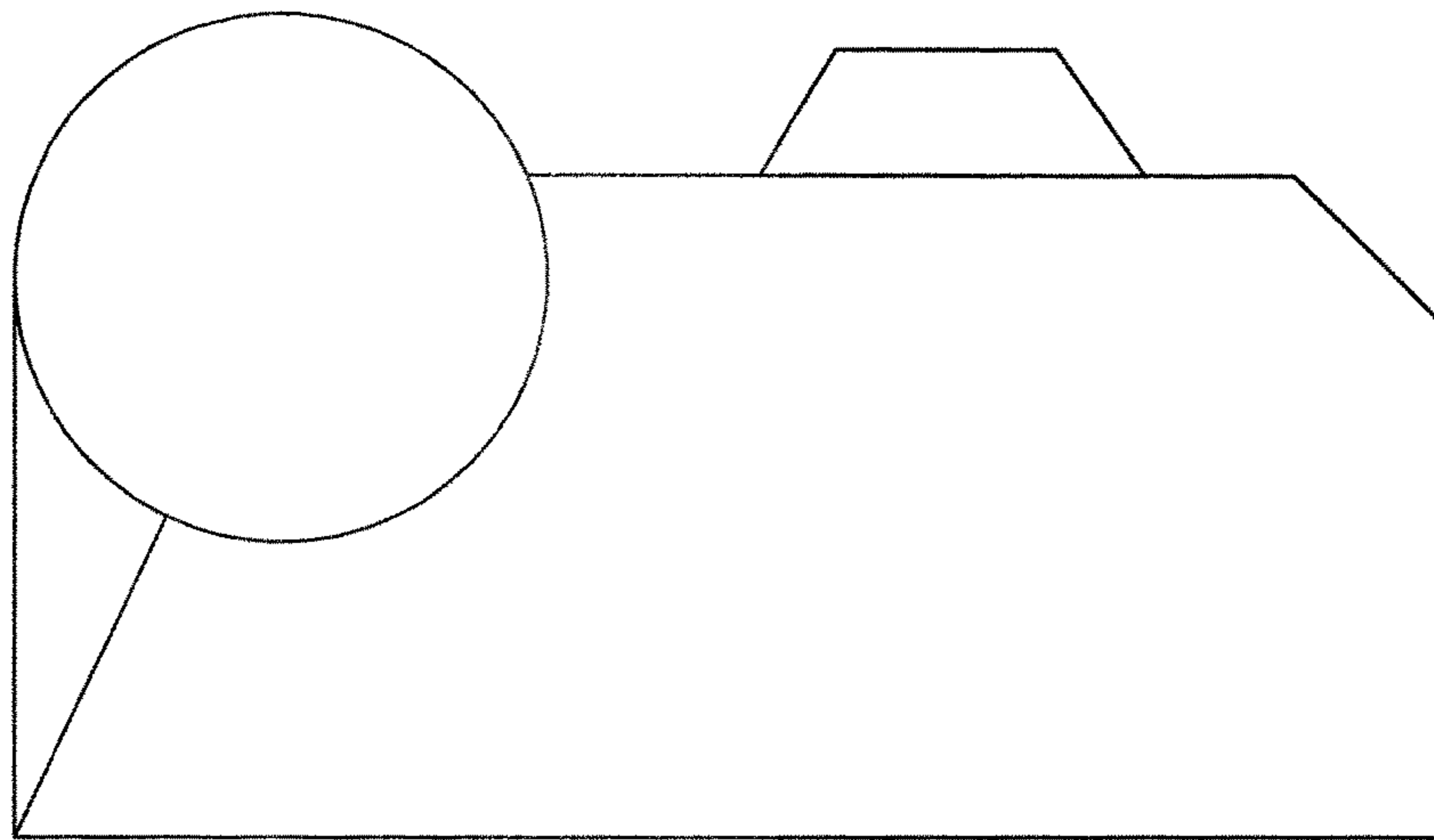


Figure 3

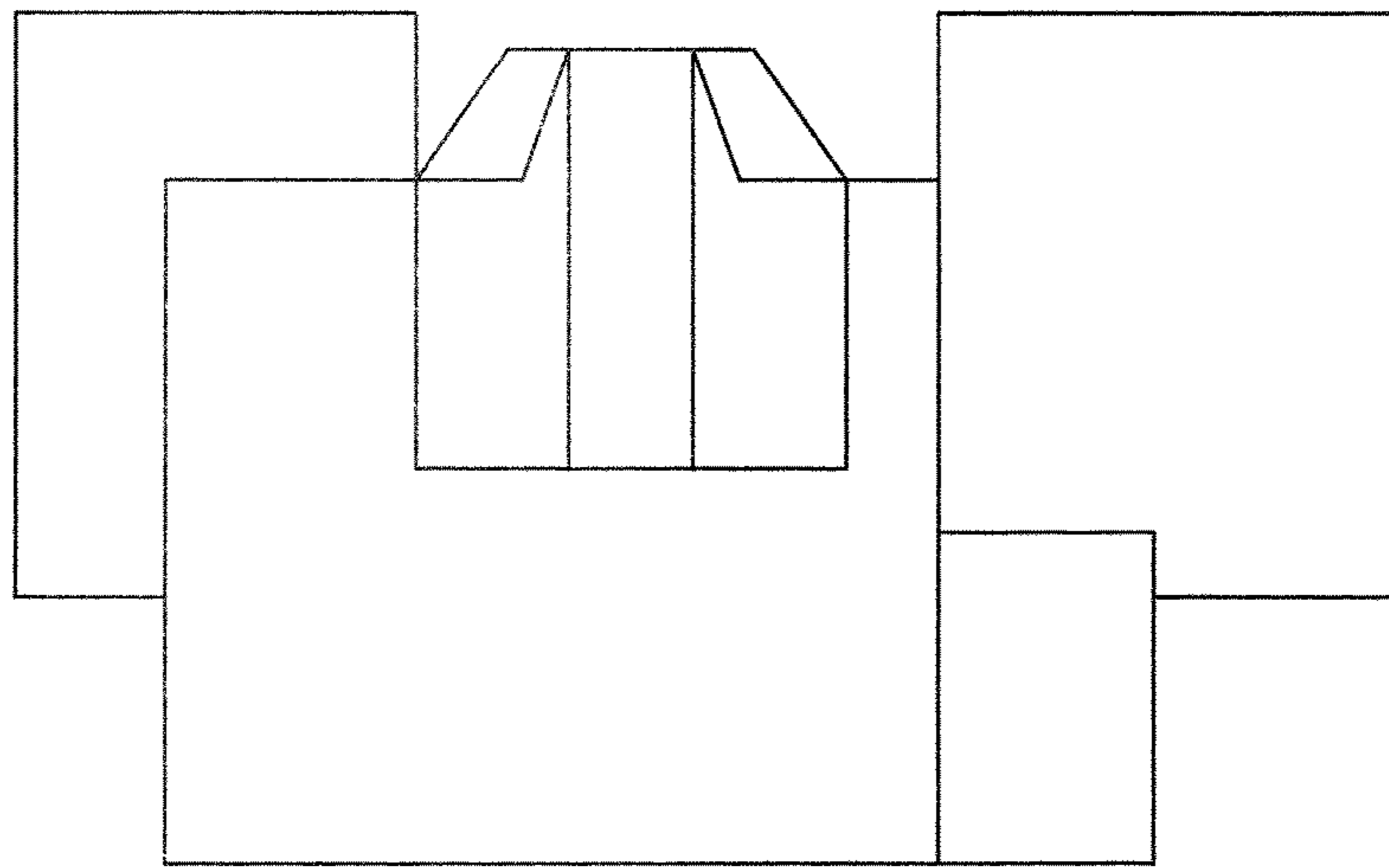


Figure 4

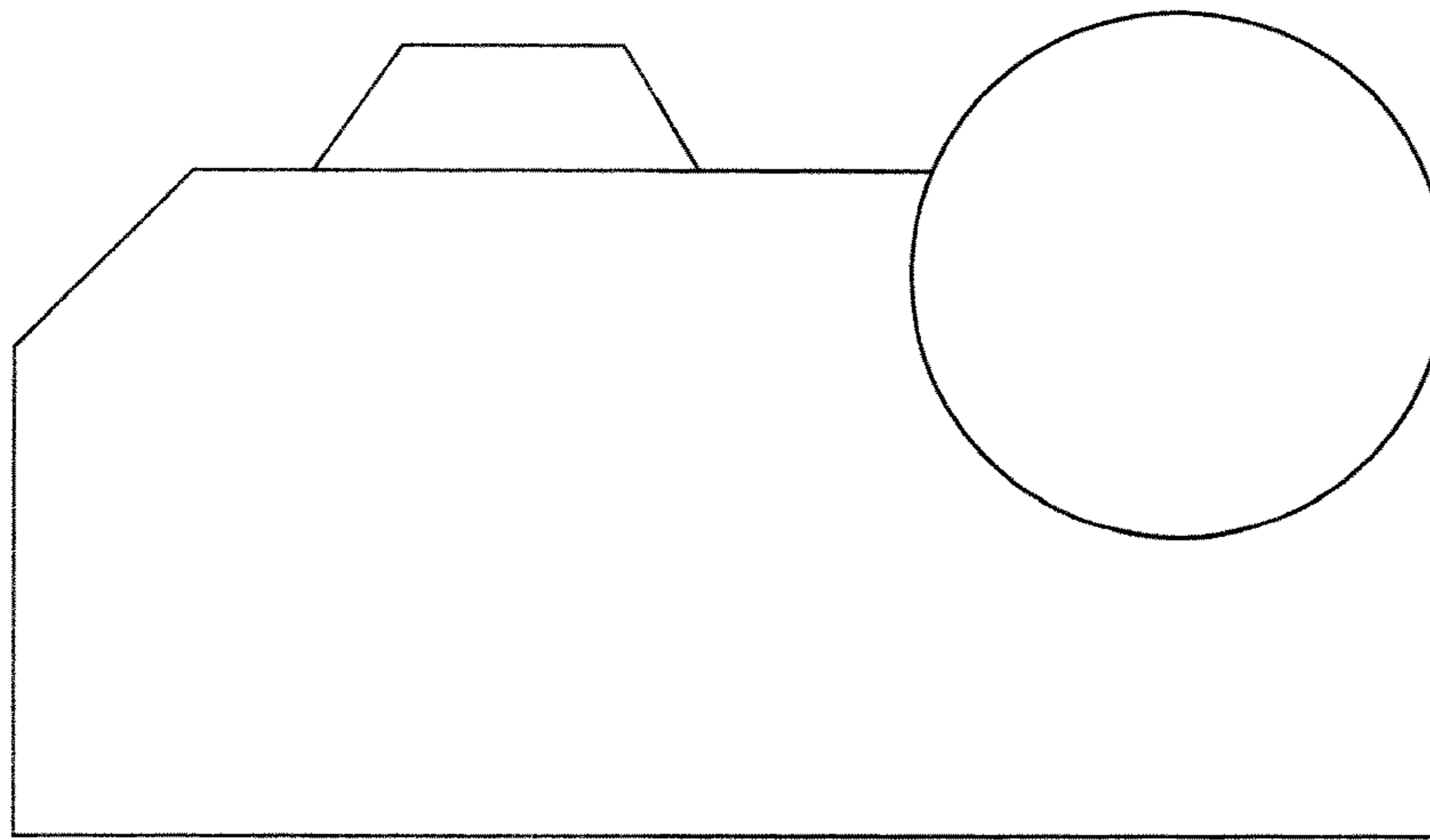


Figure 5

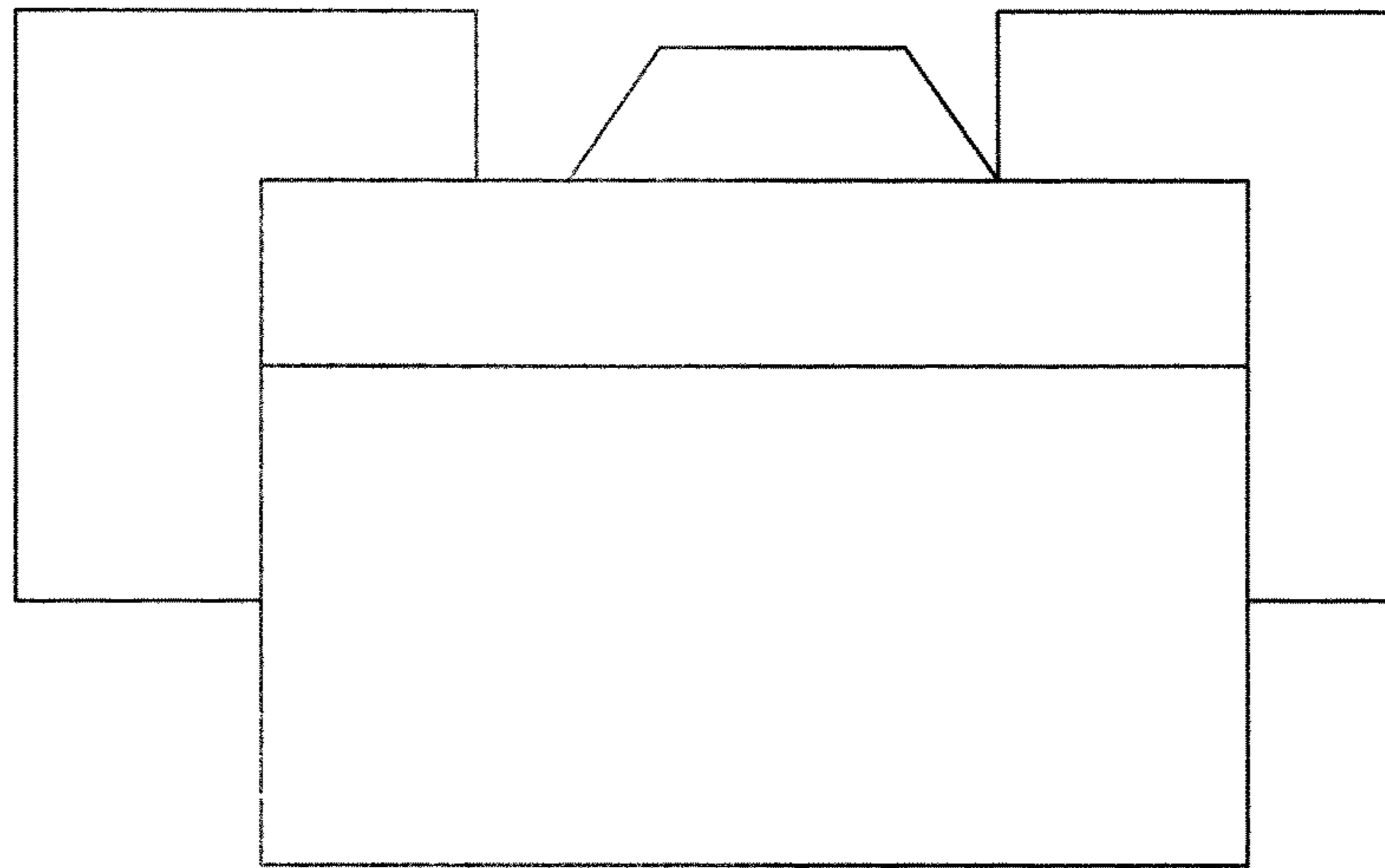


Figure 6

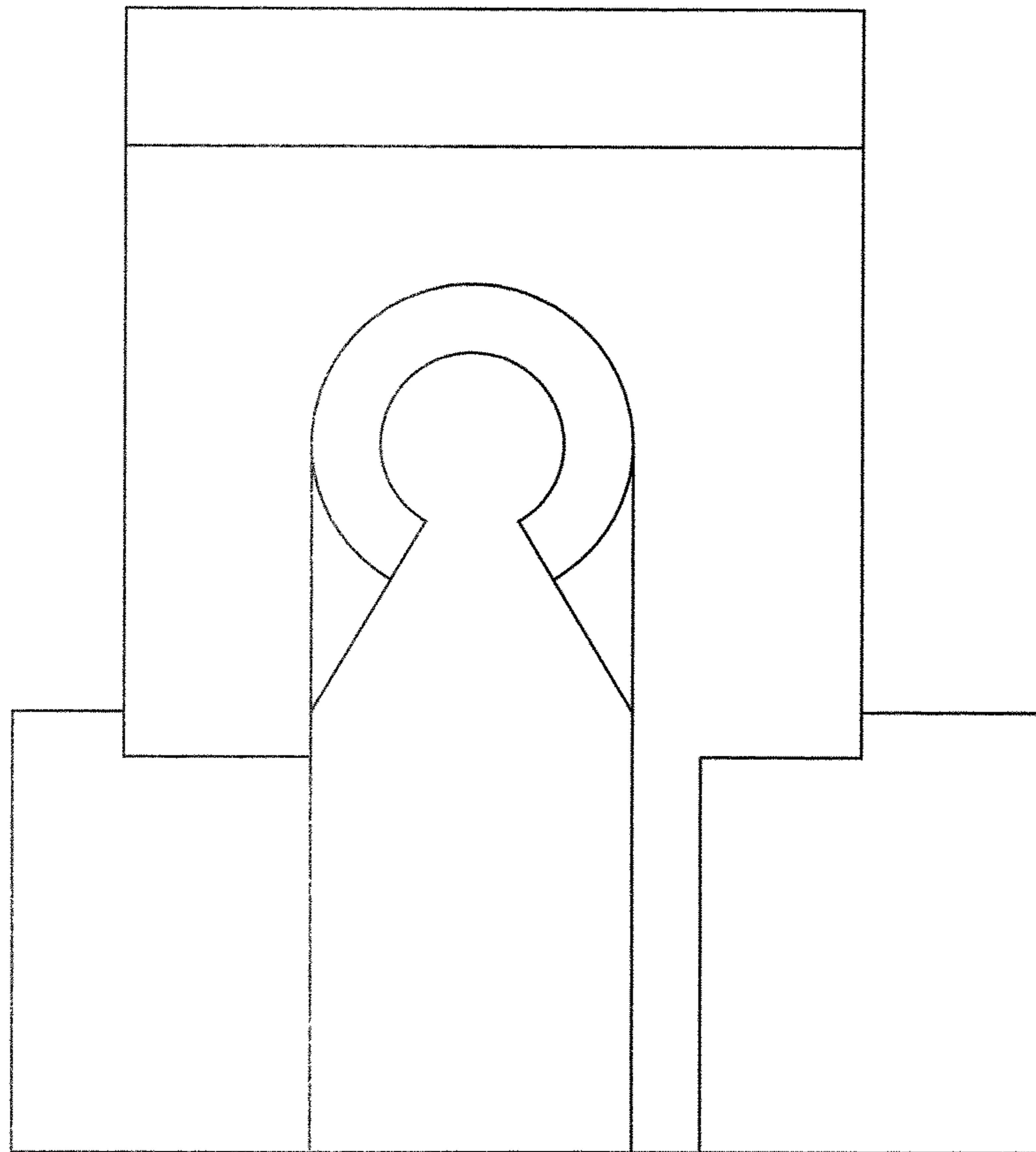


Figure 7

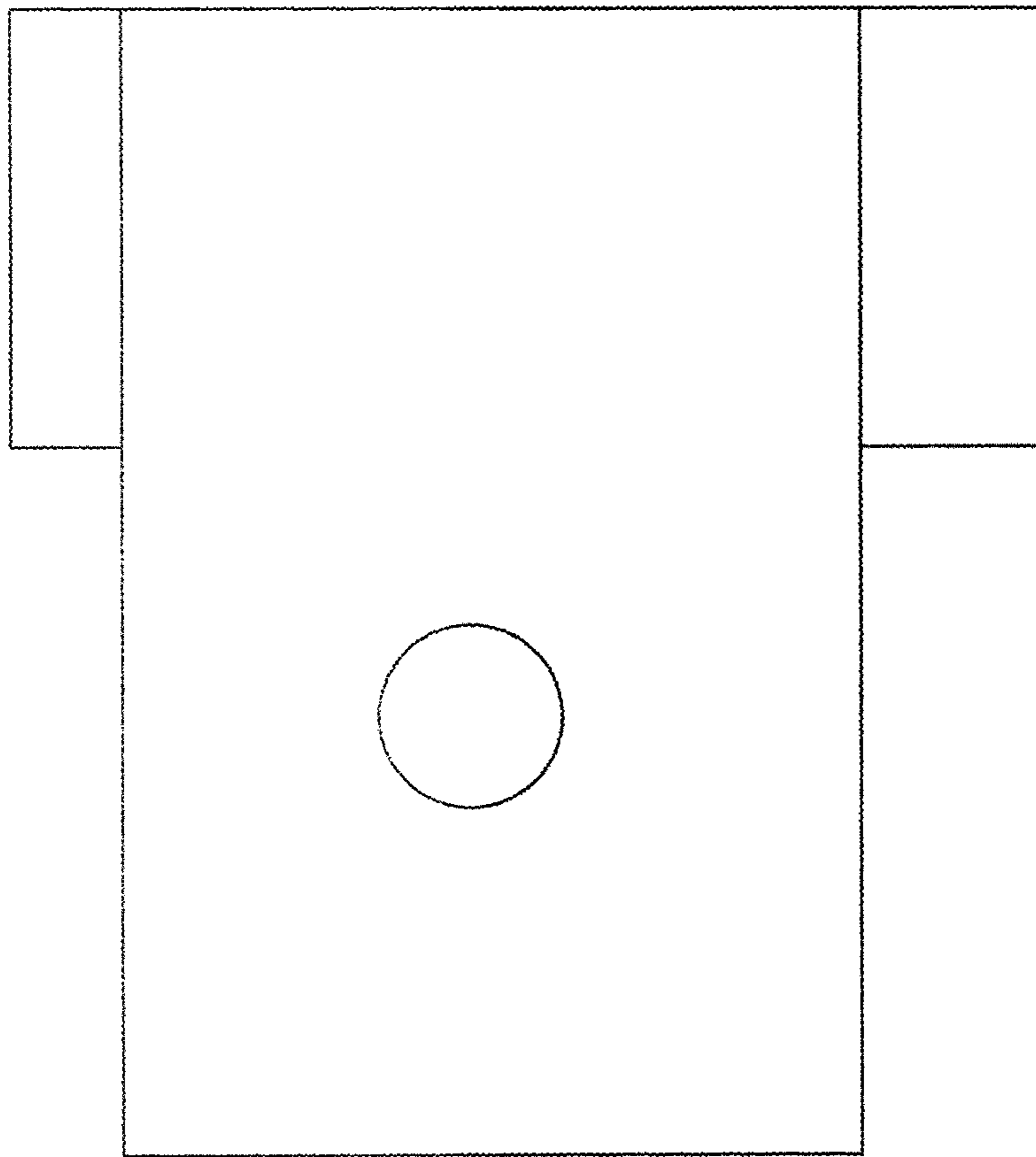


Figure 8

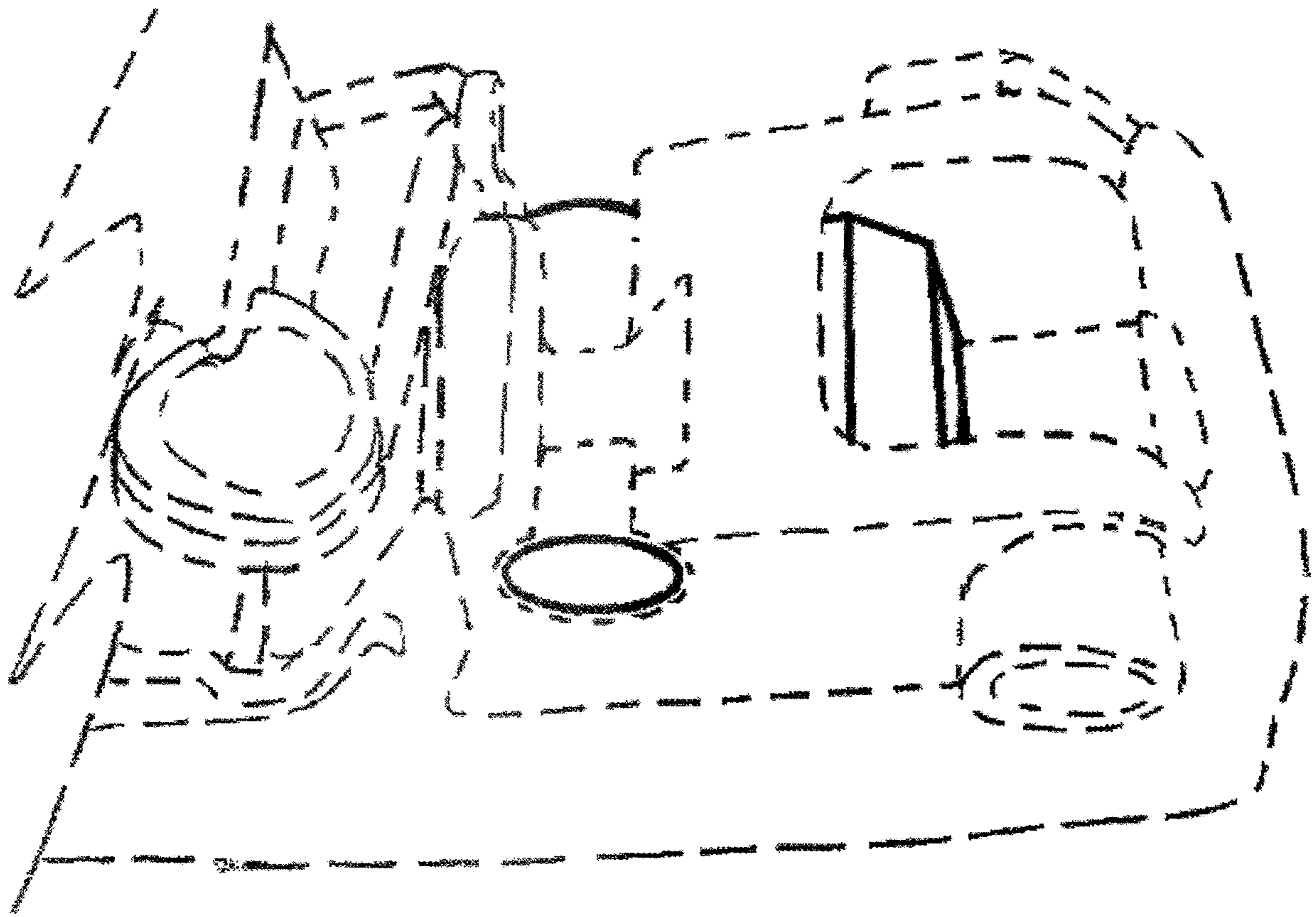


Figure 9

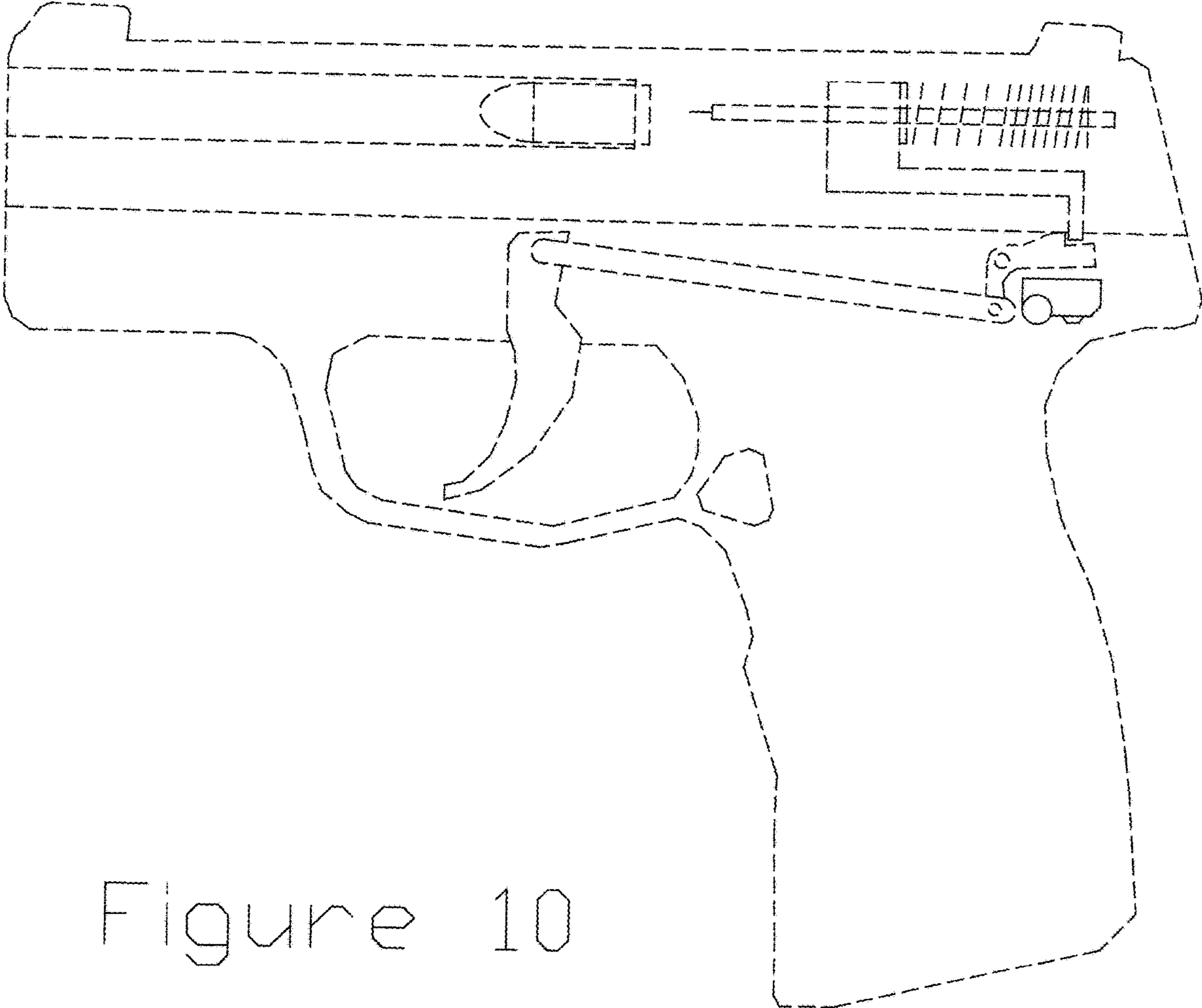


Figure 10