



US00D902338S

(12) **United States Design Patent**
Rademacher et al.

(10) **Patent No.: US D902,338 S**

(45) **Date of Patent: ** Nov. 17, 2020**

(54) **RECREATIONAL DEVICE**

(71) Applicant: **Wibit Sports GmbH**, Bocholt (DE)

(72) Inventors: **Romann Rademacher**, Bocholt (DE);
Robert Cirjack, Bocholt (DE)

(73) Assignee: **WIBIT SPORTS GmbH**, Bocholt (DE)

(**) Term: **15 Years**

(21) Appl. No.: **29/609,127**

(22) Filed: **Jun. 28, 2017**

(30) **Foreign Application Priority Data**

Jan. 19, 2017 (EM) 003659606-0002
Jan. 19, 2017 (EM) 003659606-0003

(51) **LOC (12) Cl.** **21-02**

(52) **U.S. Cl.**
USPC **D21/808**; D21/803

(58) **Field of Classification Search**
USPC D11/157, 163–164; D12/17, 20, 204;
D21/457, 803, 808, 816, 827, 829–831,
D21/833; D6/597

See application file for complete search history.

(56) **References Cited**

U.S. PATENT DOCUMENTS

1,297,252 A * 3/1919 Rudisill A63H 33/02
446/450
D203,656 S * 2/1966 Santine D6/388
D249,678 S * 9/1978 Rotheiser D12/204
D249,679 S * 9/1978 Rotheiser D12/204
D284,295 S * 6/1986 McGuire D21/457
D316,889 S * 5/1991 Smith D21/830
D400,616 S * 11/1998 Gnezdilov D21/829
D470,452 S * 2/2003 Flood D12/501
D510,400 S * 10/2005 Rockstad D21/808

D612,170 S * 3/2010 Hilder D6/688
D631,930 S * 2/2011 Krauss D21/830
D635,053 S * 3/2011 Lee D11/157

OTHER PUBLICATIONS

“Wibit 2013” Oct. 15, 2012, YouTube, site visited Feb. 11, 2020:
<https://www.youtube.com/watch?v=1yGR0ZTfOKo> (Year: 2012).*

“Wibit Open Water Fun 2016” Oct. 19, 2015, YouTube, site visited
Feb. 11, 2020: <https://www.youtube.com/watch?v=DMJzFT1W8nl>
(Year: 2015).*

“Jungle Gym Kingdom Pirate Ships Wheel—Blue” Jul. 1, 2016,
Amazon, site visited Feb. 11, 2020: [https://www.amazon.com/dp/
B01940KIN0/](https://www.amazon.com/dp/B01940KIN0/) (Year: 2016).*

“Wibit Target” Mar. 4, 2018, YouTube, site visited Feb. 11, 2020:
<https://www.youtube.com/watch?v=H5932QhjOlc> (Year: 2018).*

* cited by examiner

Primary Examiner — Michael C Stout

Assistant Examiner — Melvin L Davis

(74) *Attorney, Agent, or Firm* — Arent Fox LLP

(57) **CLAIM**

The ornamental design for a recreational device, as shown
and described.

DESCRIPTION

FIG. 1 is front left perspective view of the recreational
device showing our new design;

FIG. 2 is top view of the design shown in FIG. 1;

FIG. 3 is a bottom view of the design shown in FIG. 1;

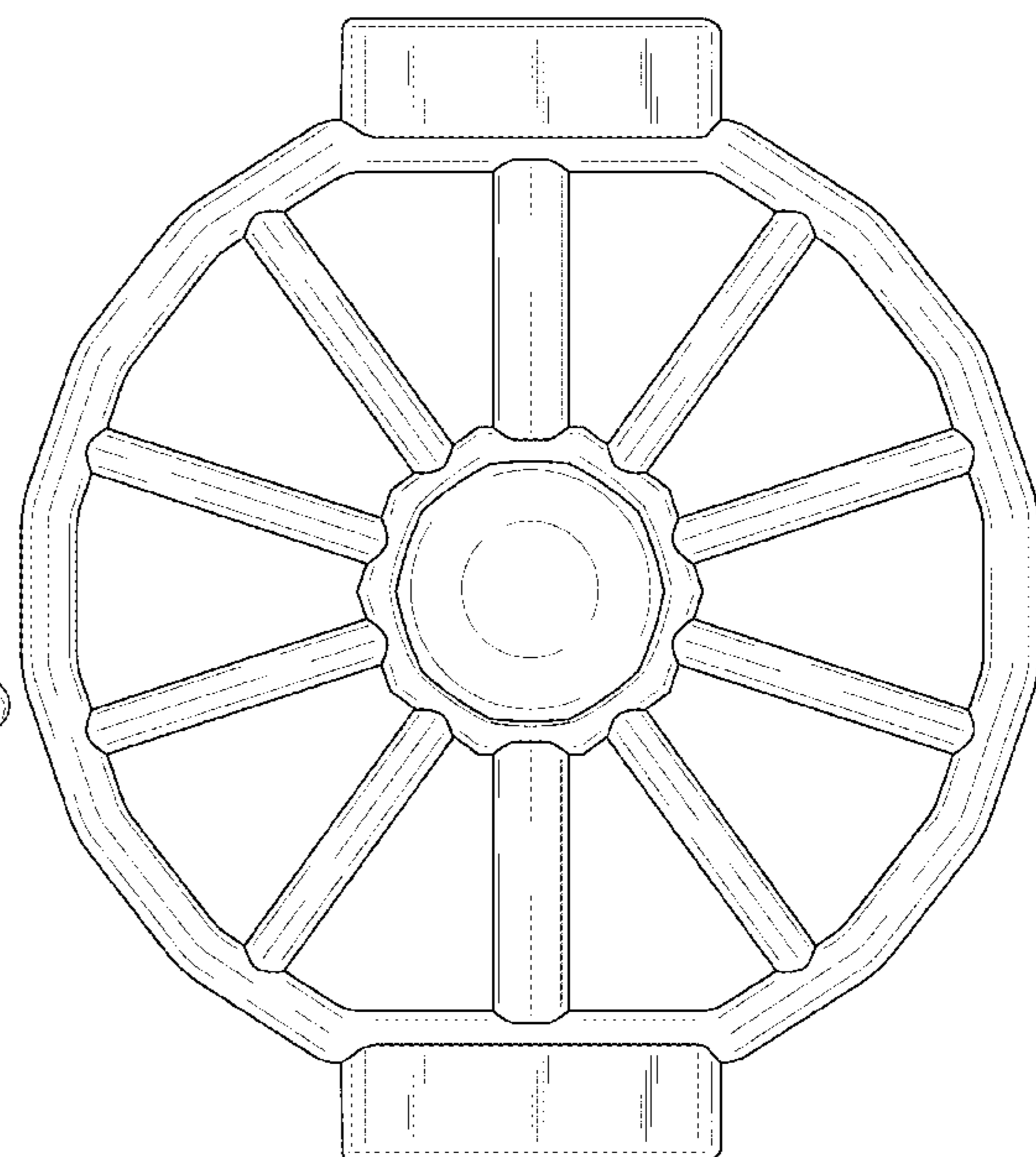
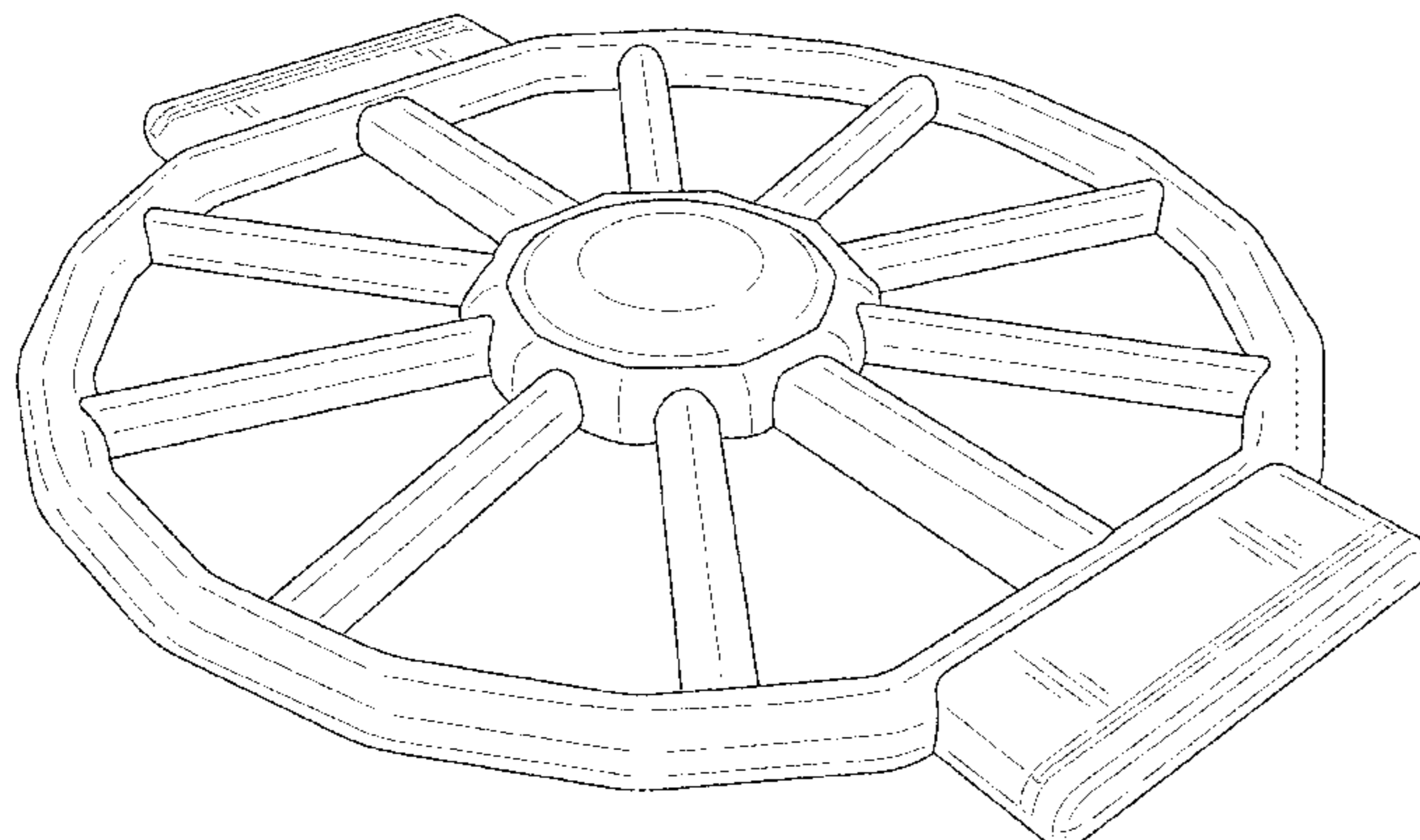
FIG. 4 is a front left perspective view of the design shown
in FIG. 1;

FIG. 5 is a back view of the design shown in FIG. 1;

FIG. 6 is a right side view of the design shown in FIG. 1;
and,

FIG. 7 is a left side view of the design shown in FIG. 1.

1 Claim, 7 Drawing Sheets



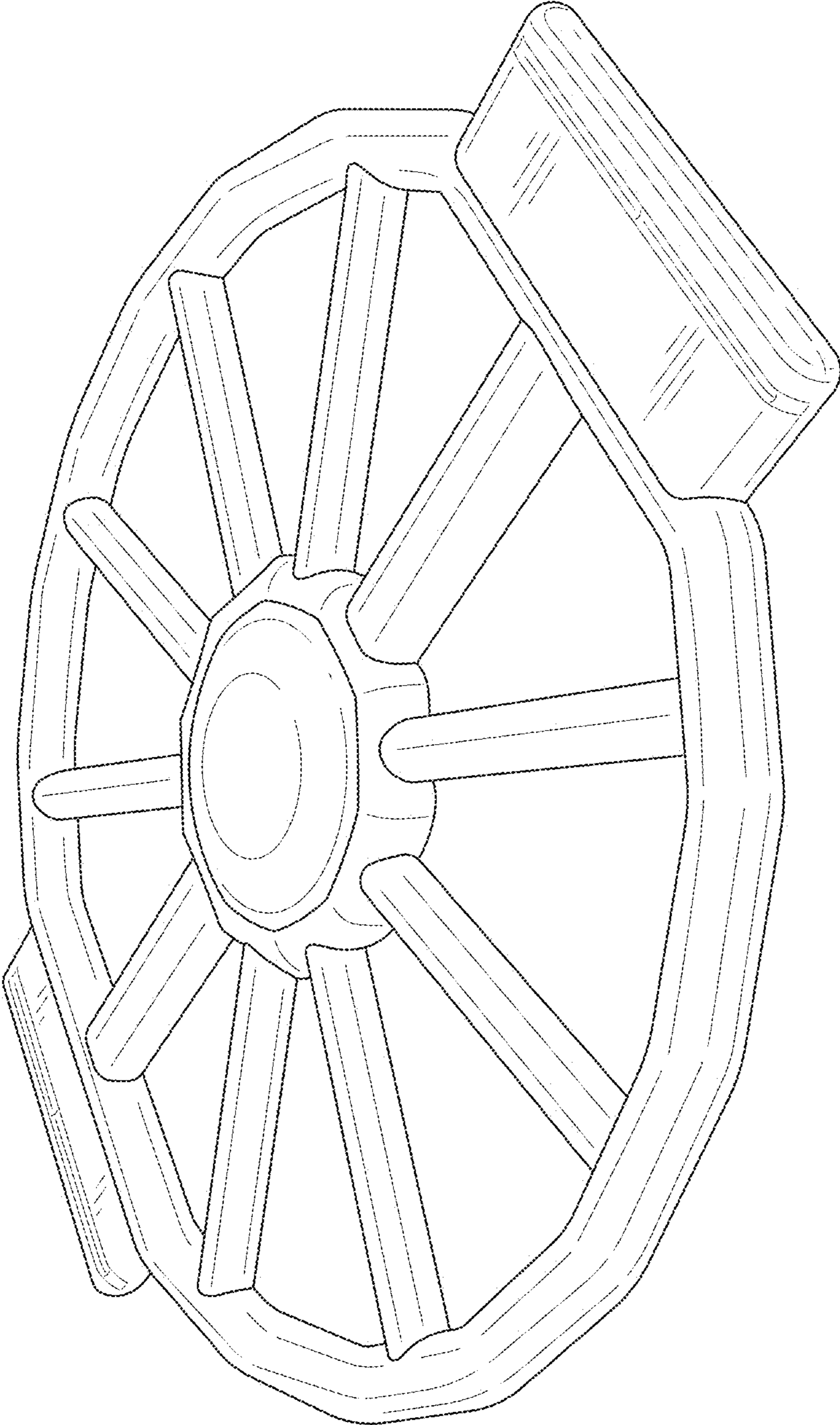


FIG. 1

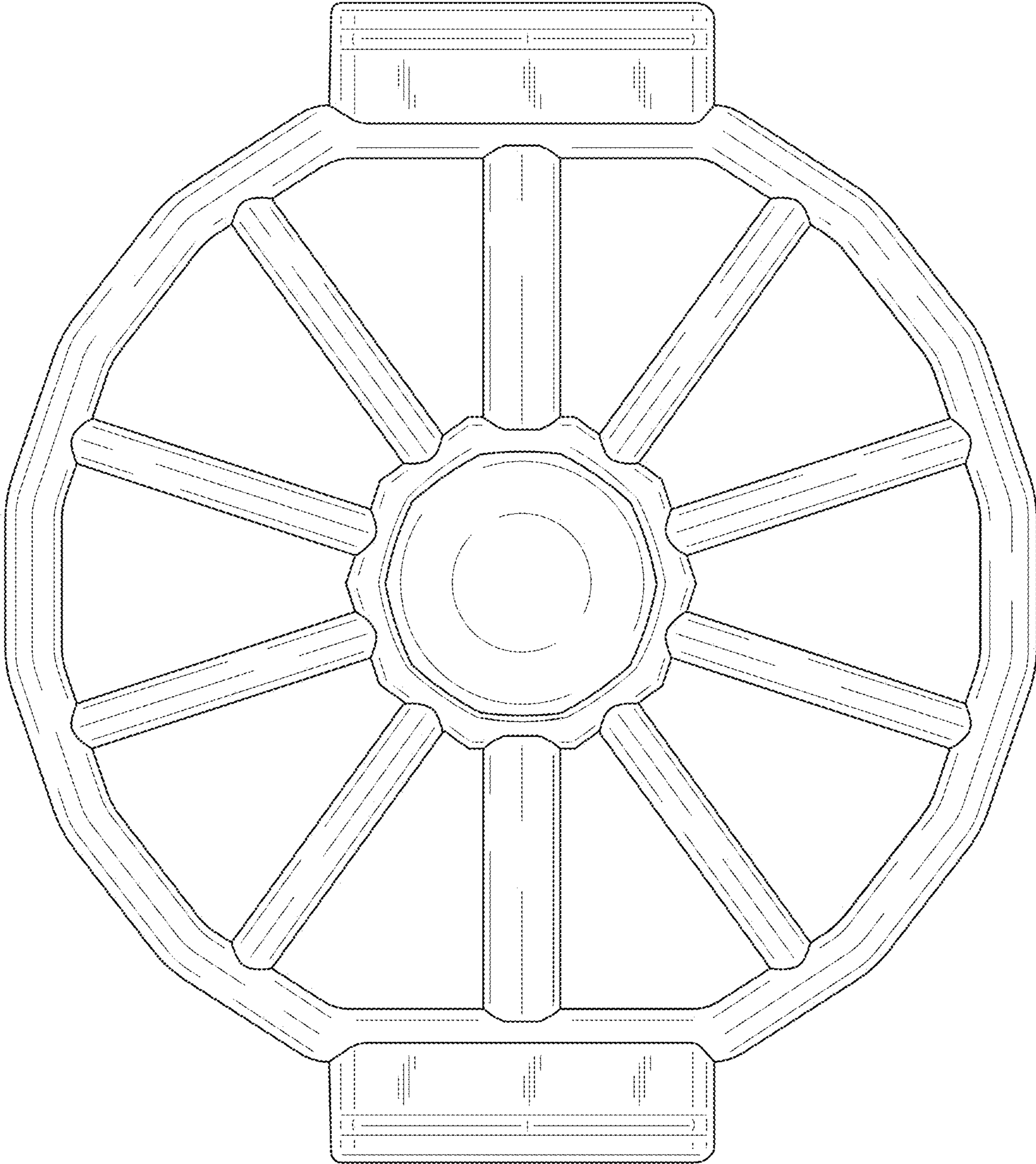


FIG. 2

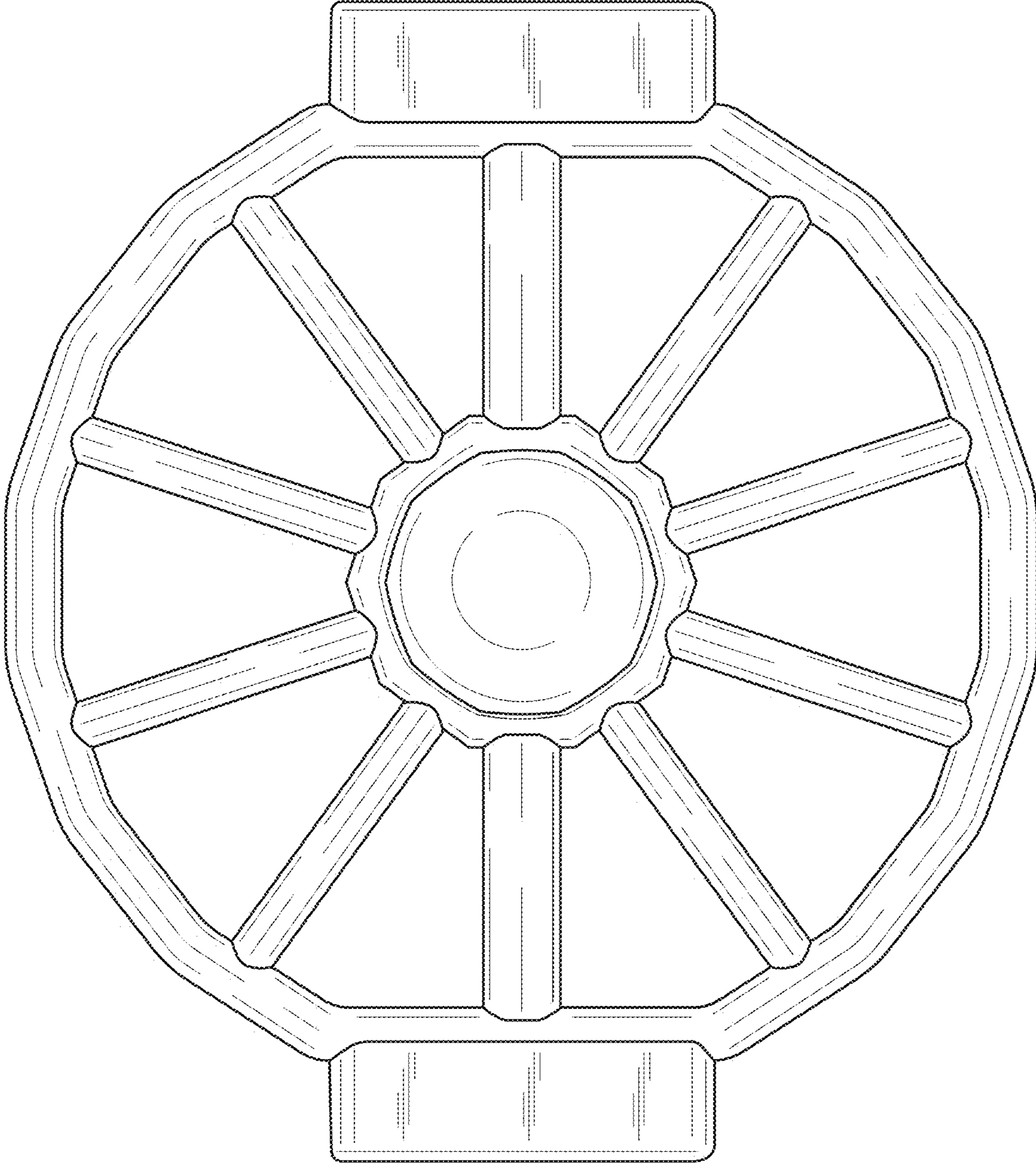


FIG. 3



FIG. 4

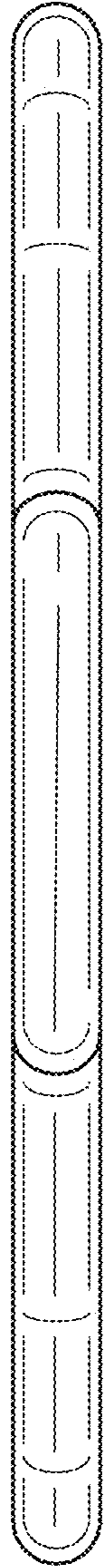


FIG. 5



FIG. 6



FIG. 7