



US00D902334S

(12) **United States Design Patent**
Bawden

(10) **Patent No.:** **US D902,334 S**
(45) **Date of Patent:** **** Nov. 17, 2020**

(54) **SNOWBOARD**

(71) Applicant: **Cardiff Snowcraft**, Bountiful, UT (US)

(72) Inventor: **Samuel J Bawden**, Bountiful, UT (US)

(73) Assignee: **Cardiff Snowcraft**, Bountiful, UT (US)

(**) Term: **15 Years**

(21) Appl. No.: **29/643,515**

(22) Filed: **Apr. 9, 2018**

(51) **LOC (12) Cl.** **21-02**

(52) **U.S. Cl.**
USPC **D21/769**

(58) **Field of Classification Search**
USPC D21/760, 761, 765, 766, 801, 803;
D12/6
CPC .. A63C 5/04; A63C 5/12; A63C 5/048; A63C
5/128; A63C 17/017
See application file for complete search history.

(56) **References Cited**

U.S. PATENT DOCUMENTS

D346,194 S *	4/1994	Ferris	D12/11
D418,545 S *	1/2000	Cassel	D21/766
D561,860 S *	2/2008	Carlson	D21/760
7,798,514 B2	9/2010	Canaday et al.		
9,327,180 B2	5/2016	Adamczewski et al.		
D777,278 S *	1/2017	Warburton	D21/766
2004/0084878 A1	5/2004	Adamczewski		
2007/0170694 A1	7/2007	Adamczewski et al.		
2008/0185814 A1	8/2008	Riepler et al.		
2011/0272920 A1	11/2011	Adamczewski		
2013/0193672 A1	8/2013	Bulan		
2017/0050105 A1	2/2017	Browning		

FOREIGN PATENT DOCUMENTS

EP 1935459 A1 6/2008

OTHER PUBLICATIONS

International Search Report and Written Opinion for corresponding PCT/US19/26440, dated Jun. 25, 2019.

* cited by examiner

Primary Examiner — Zenia I Bennett

(74) *Attorney, Agent, or Firm* — Elevated IP, LLC

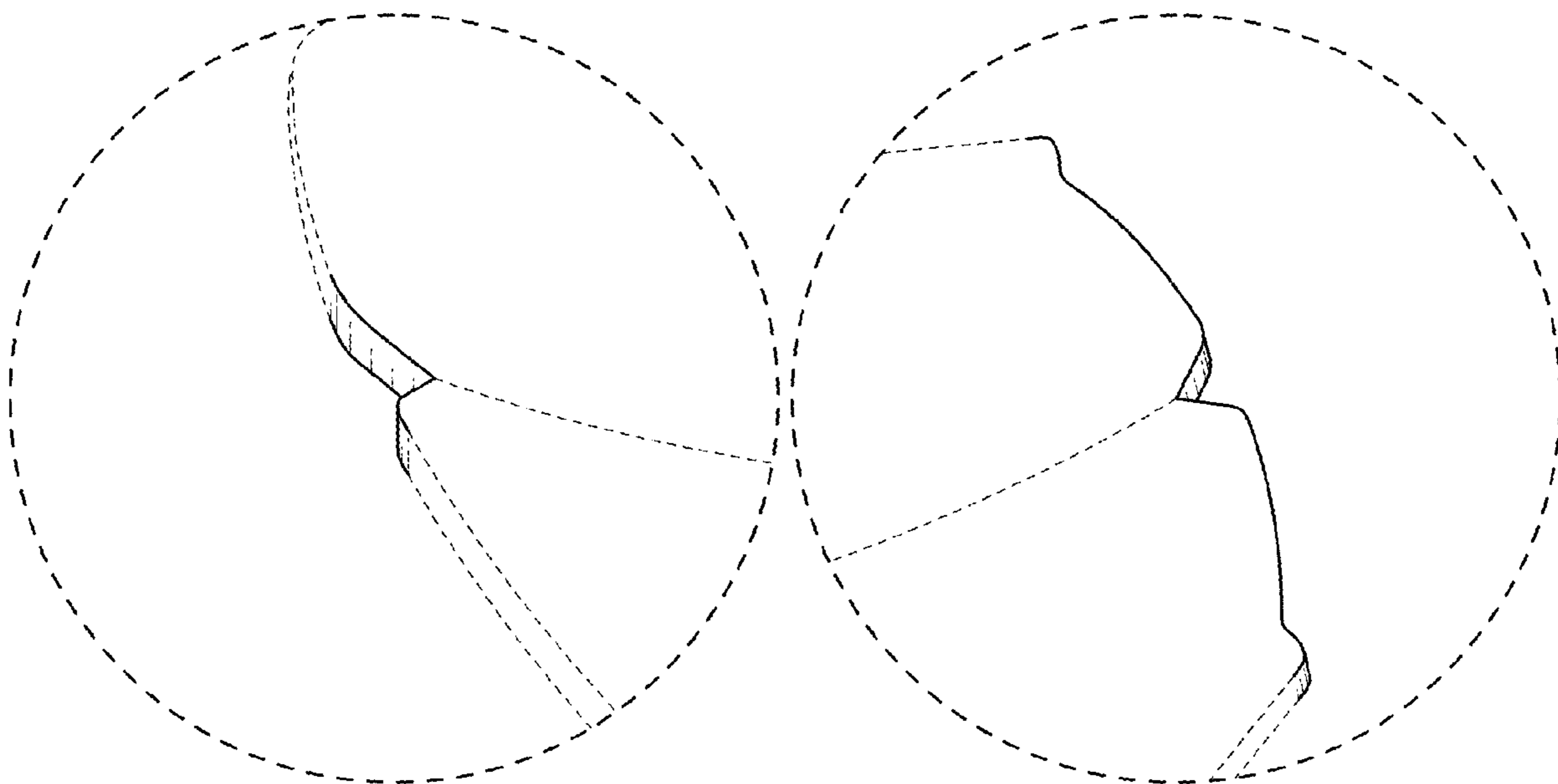
(57) **CLAIM**

The ornamental design for a snowboard, as shown and described.

DESCRIPTION

FIG. 1 is a top perspective view of an ornamental design for a snowboard;
FIG. 2 is a top plan view thereof;
FIG. 3 is a first side view thereof, the opposite, second side view being a mirror image of the first side view;
FIG. 4 is a front view thereof;
FIG. 5 is a rear view thereof;
FIG. 6 is an enlarged view of the encircled area 6 of FIG. 1;
FIG. 7 is an enlarged view of the encircled area 7 of FIG. 1;
FIG. 8 is an enlarged view of the encircled area 8 of FIG. 4; and,
FIG. 9 is an enlarged view of the encircled area 9 of FIG. 5.
The bottom surface of the snowboard, not shown, forms no part of the claimed design.
The broken lines are for purposes of illustrating environmental structure and form no part of the claimed design.

1 Claim, 4 Drawing Sheets



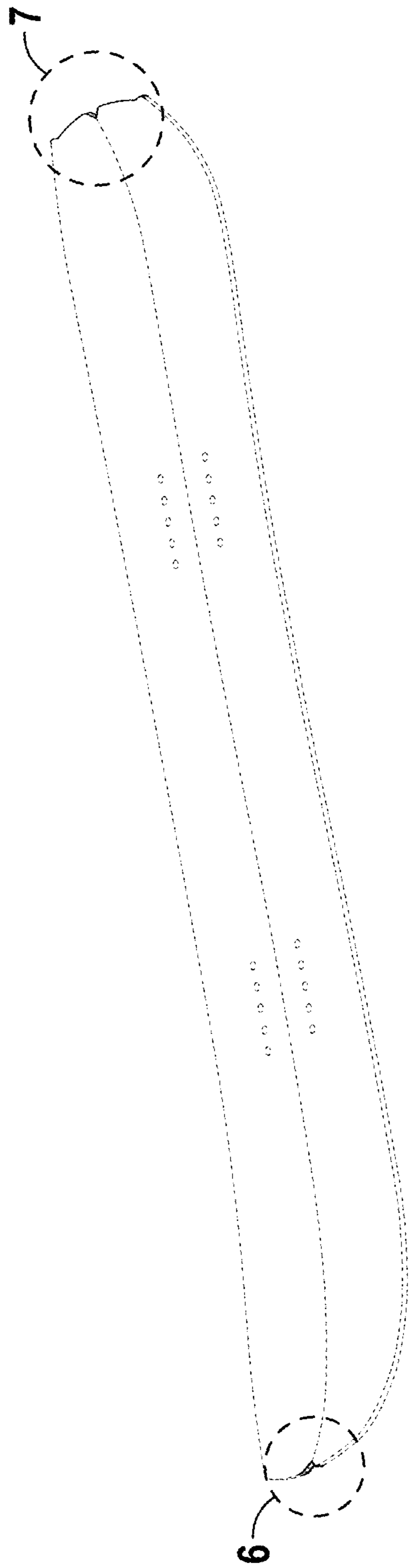


FIG. 1

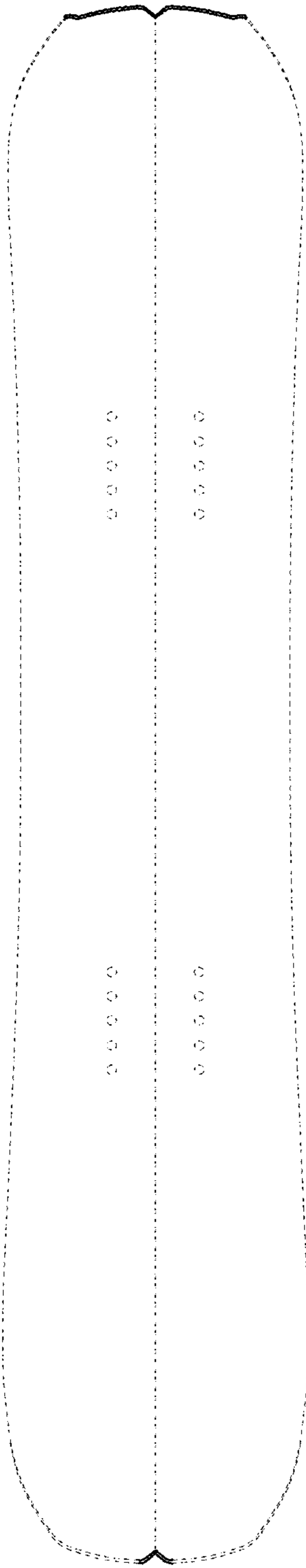


FIG. 2



FIG. 3

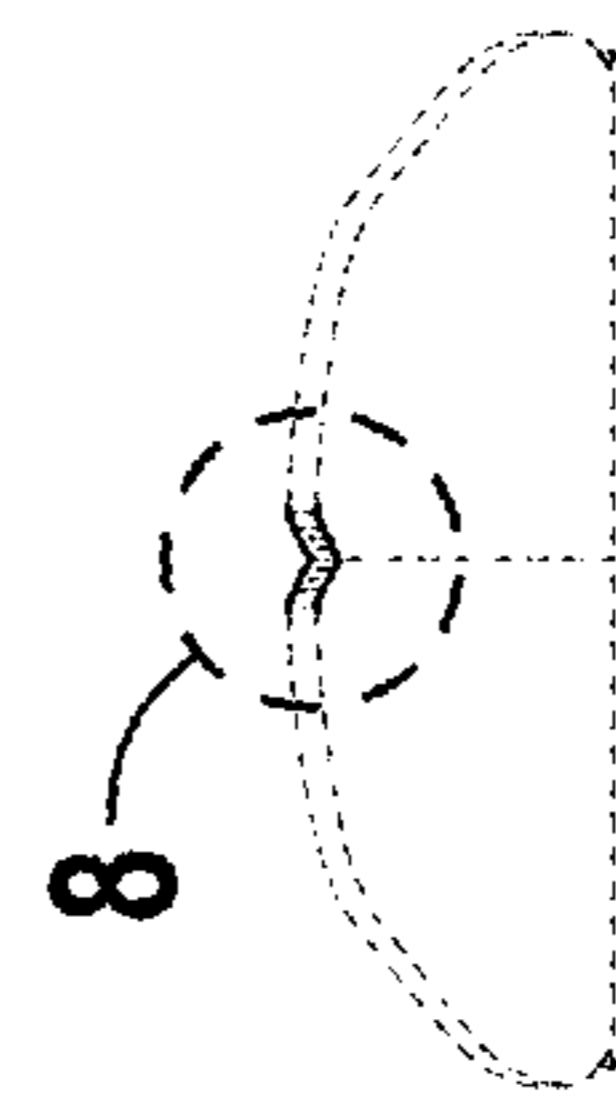


FIG. 4

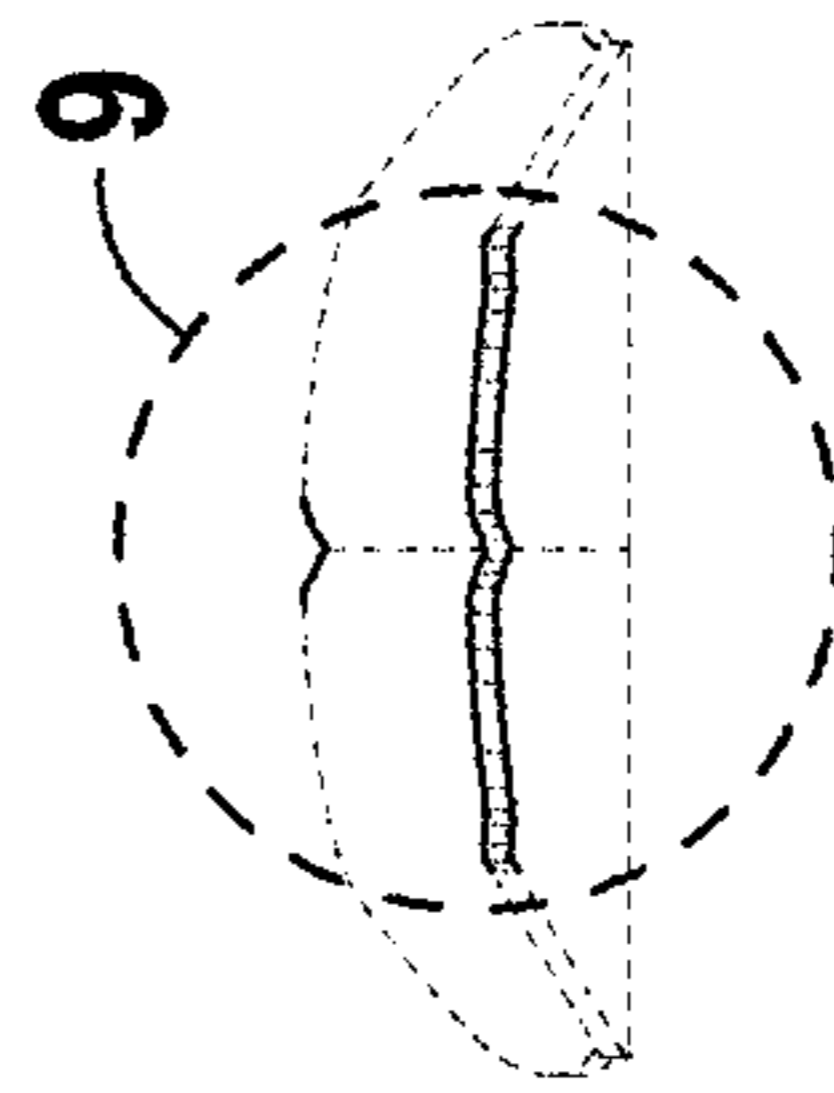


FIG. 5

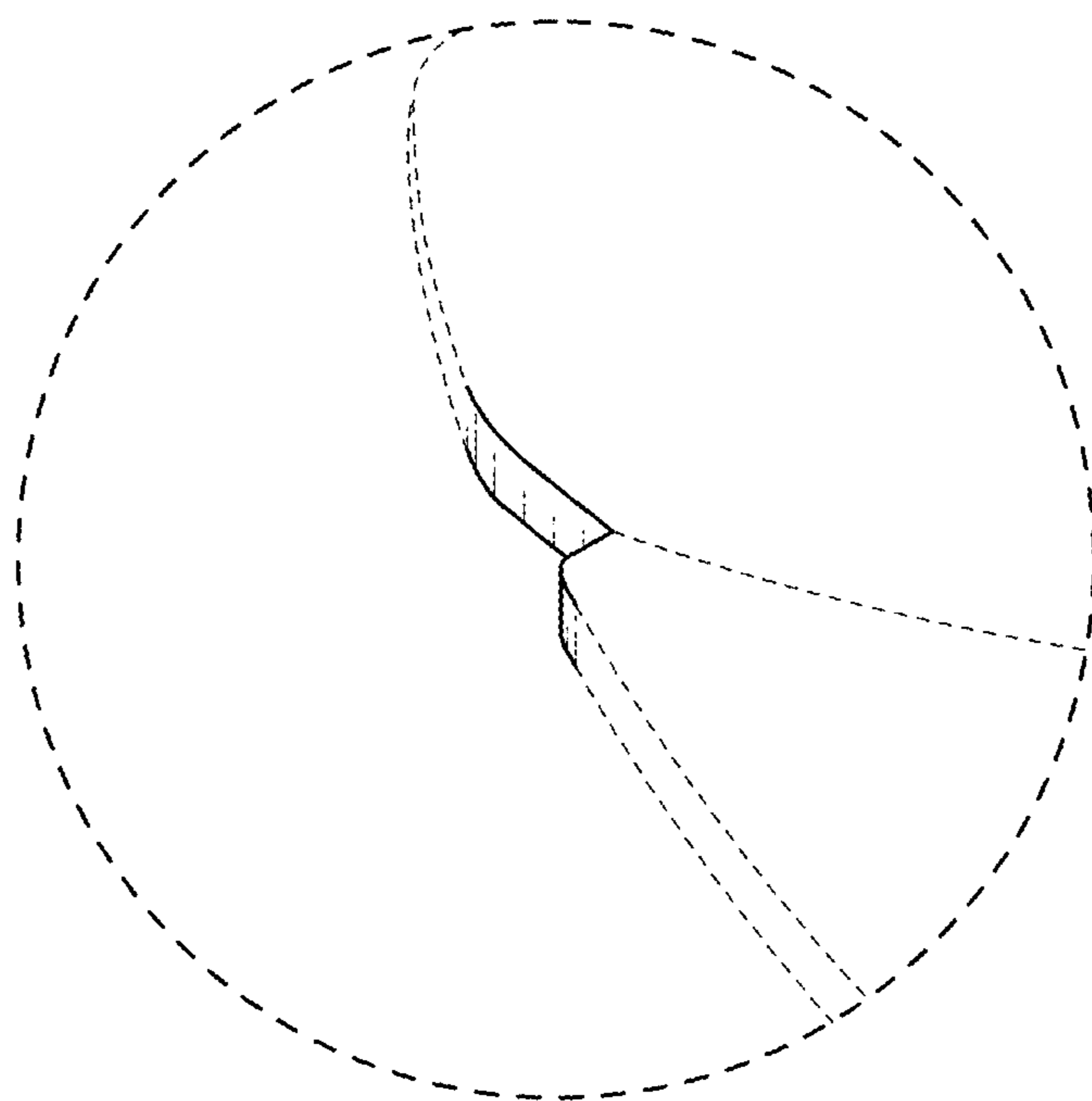


FIG. 6

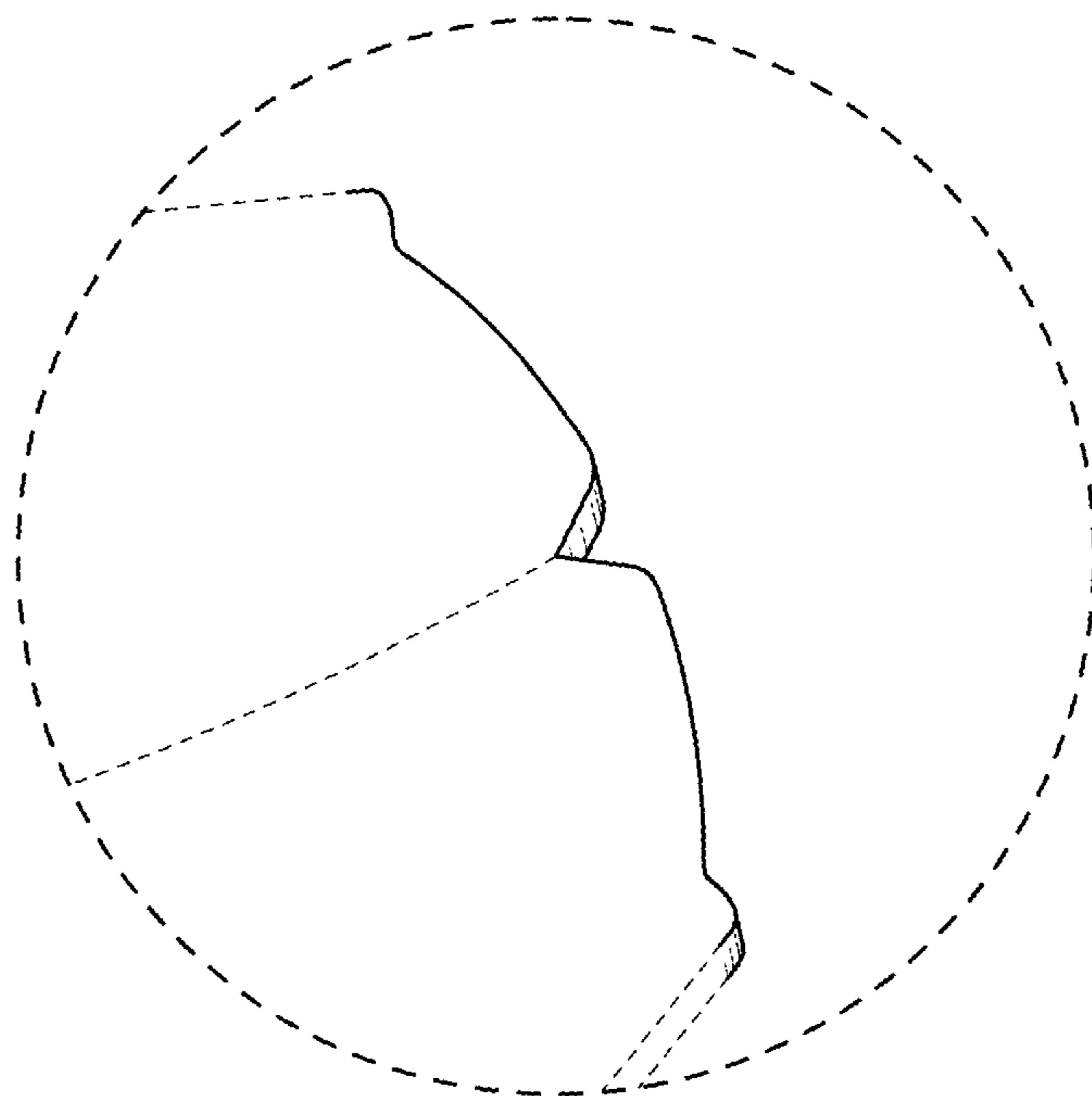


FIG. 7

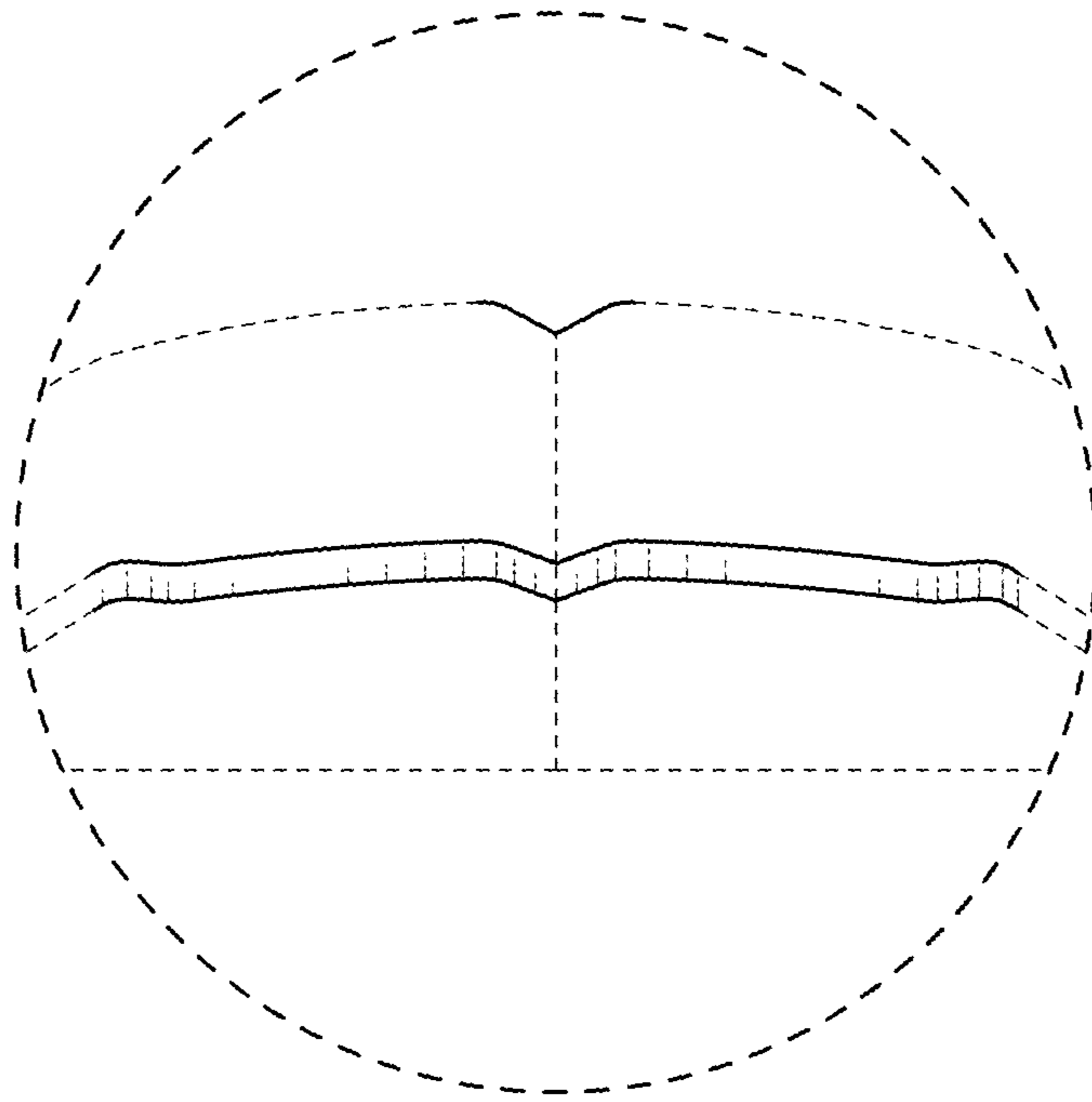


FIG. 9

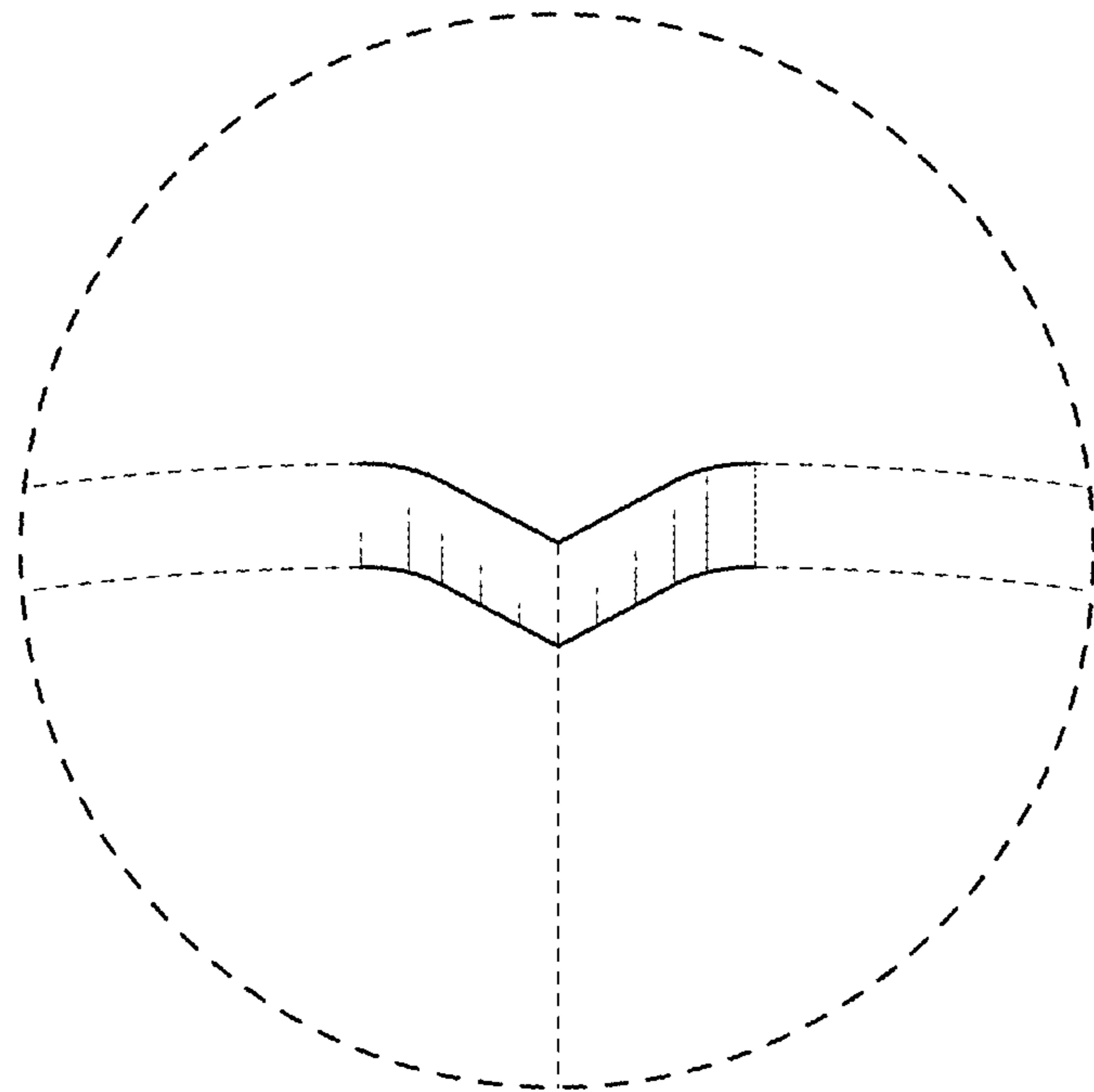


FIG. 8