



US00D902332S

(12) **United States Design Patent** (10) **Patent No.:** **US D902,332 S**  
**Kruse et al.** (45) **Date of Patent:** **\*\* Nov. 17, 2020**

(54) **TREADMILL DECK**

- (71) Applicant: **Peloton Interactive, Inc.**, New York, NY (US)
- (72) Inventors: **Mark Kruse**, Brooklyn, NY (US); **Jason Poure**, Hastings on Hudson, NY (US); **Nigel John Alcorn**, Brooklyn, NY (US); **Lee Hendrickson**, Brooklyn, NY (US)
- (73) Assignee: **Peloton Interactive, Inc.**, New York, NY (US)
- (\*\*) Term: **15 Years**
- (21) Appl. No.: **29/724,262**
- (22) Filed: **Feb. 13, 2020**

**Related U.S. Application Data**

- (62) Division of application No. 29/692,629, filed on May 28, 2019, now Pat. No. Des. 875,856, which is a division of application No. 29/632,278, filed on Jan. 5, 2018, now Pat. No. Des. 854,101.
- (51) **LOC (12) Cl.** ..... **21-02**
- (52) **U.S. Cl.**  
USPC ..... **D21/694**; D21/669
- (58) **Field of Classification Search**  
USPC ..... 482/54, 2, 51, 8, 70, 146; D21/669, 694; 198/439, 456; D30/160; 601/35, 23, 5, 601/34  
CPC . A63B 22/02; A63B 22/0023; A63B 22/0235; A63B 2210/50; A63B 22/0285; A63B 22/0242; A63B 2022/025; A63B 2225/30; A63B 2022/0214; A63B 2220/13; A63B 2022/0228; A63B 2210/56; A63B 2024/0093; A63B 2022/0207; A63B 22/0012; A63B 22/0257; A61H 3/008; A61H 1/0262; A61H 2201/164; A01K 15/027

See application file for complete search history.

(56) **References Cited**

**U.S. PATENT DOCUMENTS**

- 1,211,765 A \* 1/1917 Schmidt ..... A63B 22/02 482/54
- 3,642,279 A \* 2/1972 Cutter ..... A63B 22/02 482/54
- 5,018,722 A 5/1991 Whitmore
- D333,887 S \* 3/1993 Dowler ..... D30/160
- 5,411,279 A \* 5/1995 Magid ..... A47D 13/043 198/833

(Continued)

**FOREIGN PATENT DOCUMENTS**

- WO WO-2010107632 A1 \* 9/2010 ..... A63B 21/0054
- WO WO-2010107840 A1 \* 9/2010 ..... A63B 22/0285
- WO WO-2014160057 A2 \* 10/2014 ..... A63B 21/0055

*Primary Examiner* — Ryan Harvey

(74) *Attorney, Agent, or Firm* — Lee & Hayes, P.C.

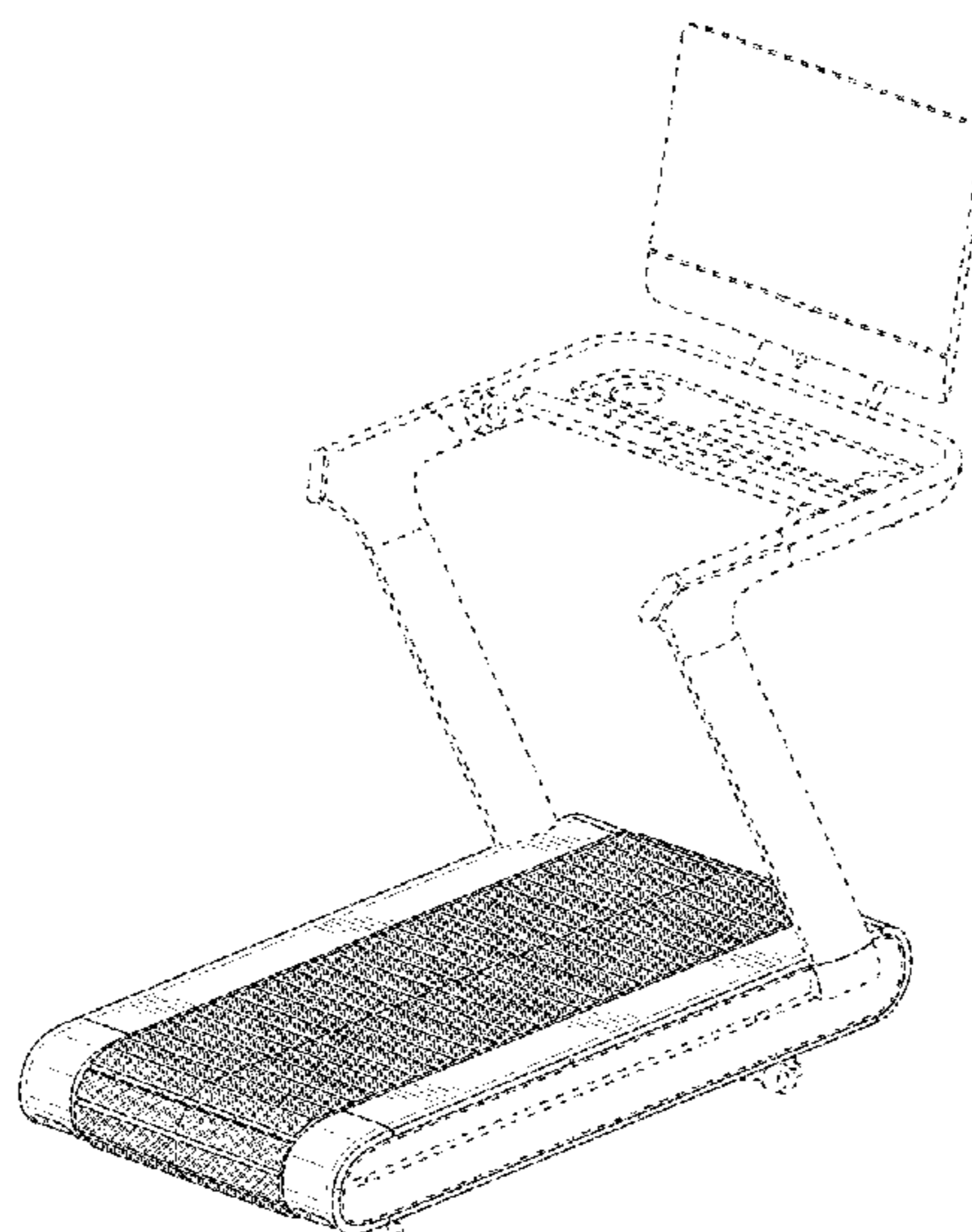
(57) **CLAIM**

The ornamental design for a treadmill deck, as shown and described.

**DESCRIPTION**

FIG. 1 is a front perspective view of the treadmill deck, showing our new design.  
 FIG. 2 is a back perspective view thereof;  
 FIG. 3 is a front view thereof;  
 FIG. 4 is a back view thereof;  
 FIG. 5 is a left-side view thereof;  
 FIG. 6 is a right-side view thereof;  
 FIG. 7 is a top view thereof; and,  
 FIG. 8 is a bottom view thereof.  
 The broken lines depict portions of the treadmill deck and/or environment of the treadmill deck that form no part of the claimed design.

**1 Claim, 8 Drawing Sheets**



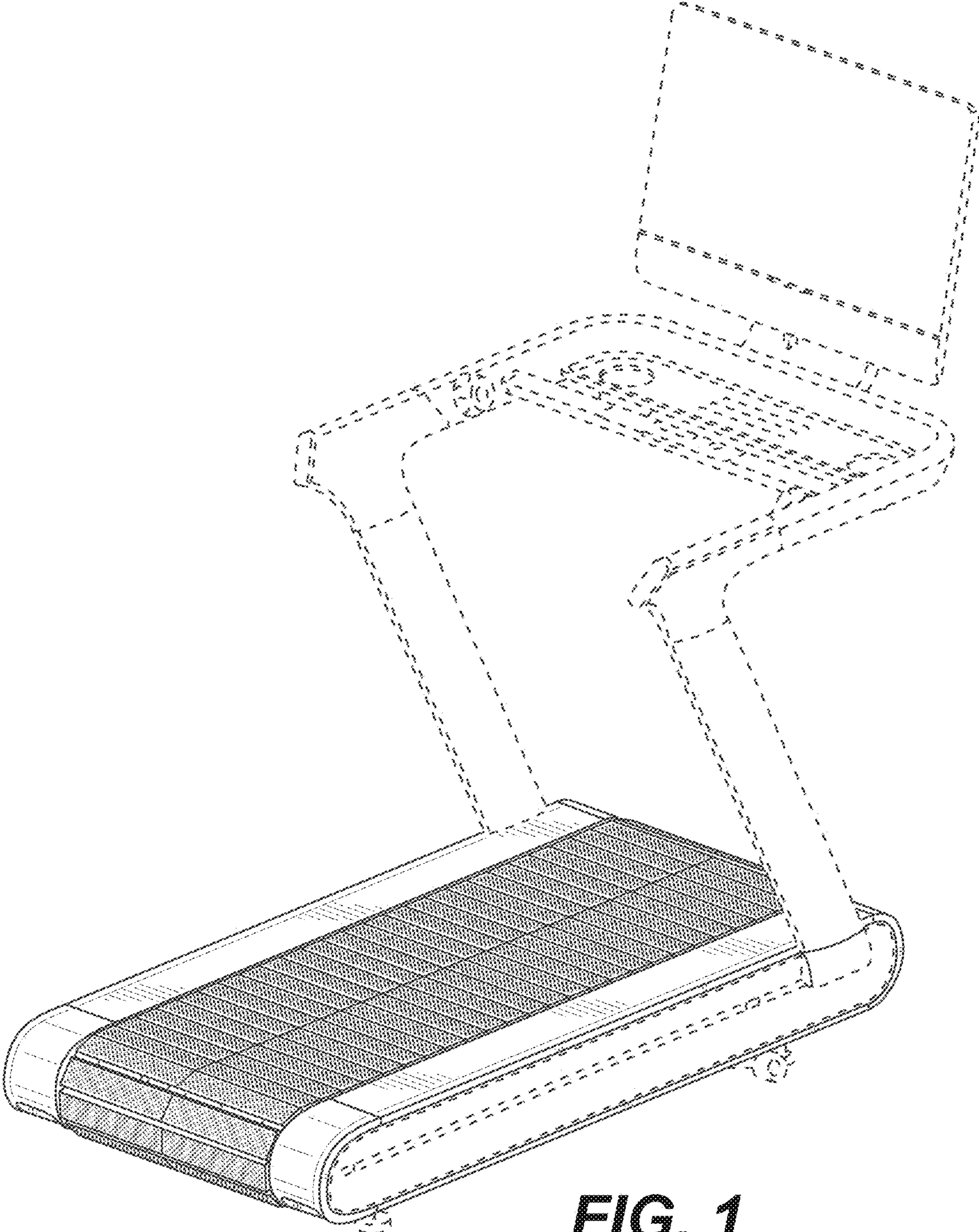
(56)

References Cited

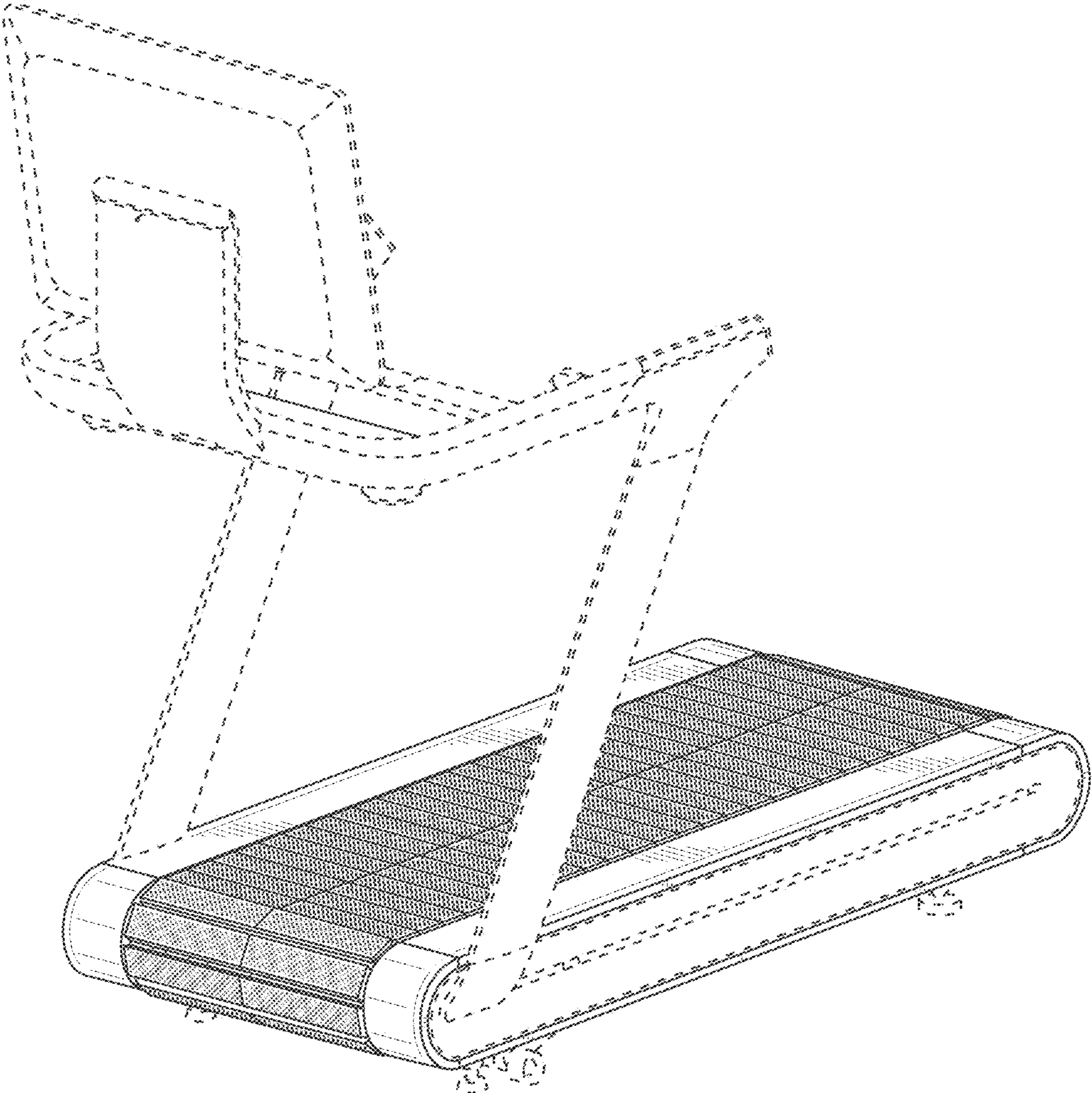
U.S. PATENT DOCUMENTS

5,470,293	A *	11/1995	Schonenberger .....	A63B 22/02 482/54	10,625,137	B2 *	4/2020	Dalebout .....	A63B 22/0285
5,527,241	A	6/1996	Peng		10,632,339	B2 *	4/2020	Chen .....	A63B 22/0046
5,538,489	A *	7/1996	Magid .....	A47D 13/04 482/54	10,668,321	B2 *	6/2020	Yoo .....	A63B 22/0285
D374,260	S *	10/1996	Snyderman .....	D21/669	2005/0170935	A1	8/2005	Manser	
5,577,598	A *	11/1996	Schoenenberger .....	A63B 22/0285 198/832.2	2006/0160665	A1 *	7/2006	Tai .....	A63B 22/0023 482/54
5,709,632	A *	1/1998	Socwell .....	A63B 22/0012 482/51	2007/0072743	A1	3/2007	Severino et al.	
5,897,461	A *	4/1999	Socwell .....	A63B 22/0012 482/54	2007/0298937	A1	12/2007	Shah et al.	
6,042,514	A *	3/2000	Abelbeck .....	A63B 22/02 198/439	2008/0176719	A1	7/2008	To	
6,053,848	A *	4/2000	Eschenbach .....	A63B 22/02 482/51	2009/0215589	A1 *	8/2009	Schoenenberger ..	A61H 1/0262 482/54
6,095,952	A *	8/2000	Ali .....	A63B 22/02 482/35	2010/0285929	A1 *	11/2010	Bayerlein .....	A63B 21/00181 482/54
6,123,647	A *	9/2000	Mitchell .....	A63B 22/02 198/456	2011/0152038	A1	6/2011	Freitag	
6,146,315	A *	11/2000	Schonenberger .....	A63B 22/02 482/69	2011/0266091	A1 *	11/2011	Taylor .....	F03G 7/04 185/16
6,180,210	B1	1/2001	Debus		2012/0157267	A1 *	6/2012	Lo .....	A63B 22/02 482/54
D445,152	S	7/2001	Wang et al.		2012/0231934	A1 *	9/2012	Lo .....	A63B 22/02 482/54
6,348,025	B1 *	2/2002	Schonenberger .....	A63B 22/02 482/54	2012/0270705	A1 *	10/2012	Lo .....	A63B 22/02 482/54
D484,554	S *	12/2003	Hellman, Jr. ....	D21/669	2014/0011642	A1 *	1/2014	Astilean .....	A63B 22/02 482/54
6,918,859	B1	7/2005	Yeh		2014/0336010	A1 *	11/2014	Burger .....	A63B 22/0023 482/54
D579,992	S	11/2008	Cesaroni		2016/0023039	A1	1/2016	Cei	
7,976,437	B1	7/2011	von Detten		2016/0096064	A1 *	4/2016	Gatti .....	A63B 22/02 482/54
8,308,619	B1	11/2012	Astilean		2016/0144225	A1 *	5/2016	Dalebout .....	A63B 22/0285 482/54
8,343,016	B1 *	1/2013	Astilean .....	A63B 22/0207 482/54	2016/0166877	A1 *	6/2016	Cei .....	A63B 22/02 482/54
D707,763	S	6/2014	Cutler		2016/0279465	A1	9/2016	Chang	
D709,147	S	7/2014	Oransky		2016/0367851	A1	12/2016	Astilean et al.	
8,920,347	B2 *	12/2014	Bayerlein .....	A63B 22/0235 601/35	2017/0113093	A1 *	4/2017	Bellavista .....	A63B 22/0023
9,039,579	B1	5/2015	Osime		2017/0312566	A1 *	11/2017	Chang .....	A63B 22/0285
9,044,637	B2	6/2015	Karl		2017/0312582	A1 *	11/2017	Root, Jr. ....	A63B 21/04
D751,156	S *	3/2016	Tasca .....	D21/669	2018/0001134	A1	1/2018	Bayerlein et al.	
D763,976	S	8/2016	Vezeau et al.		2018/0056132	A1 *	3/2018	Foley .....	A63B 24/0087
9,694,234	B2 *	7/2017	Dalebout .....	A63B 22/02	2018/0104534	A1	4/2018	Erkelenz et al.	
10,010,748	B1 *	7/2018	Weinstein .....	A63B 22/0285	2018/0111018	A1	4/2018	Lee	
D827,058	S *	8/2018	Lisi .....	D21/669	2018/0126249	A1 *	5/2018	Consiglio .....	A63B 71/0619
D827,733	S	9/2018	Hochstrasser		2018/0140896	A1	5/2018	Chen	
10,265,566	B2 *	4/2019	Bayerlein .....	A63B 21/0053	2018/0140903	A1 *	5/2018	Poure .....	A63B 24/0062
10,299,988	B2	5/2019	Shin		2018/0264315	A1 *	9/2018	Chen .....	A63B 21/4034
D854,101	S	7/2019	Kruse et al.		2019/0060705	A1	2/2019	Yoo	
D859,543	S	9/2019	Lisi et al.		2019/0118030	A1	4/2019	Yoo	
D873,934	S *	1/2020	Mino .....	D21/669	2019/0126093	A1	5/2019	Yoo	
D875,856	S *	2/2020	Kruse .....	D21/694	2019/0168066	A1	6/2019	Yoo	
10,556,168	B2 *	2/2020	Fima .....	A63B 71/0622	2019/0168067	A1	6/2019	Bates	
					2019/0192952	A1	6/2019	Powell	
					2019/0217182	A1	7/2019	Kueker et al.	
					2019/0255382	A1	8/2019	Rudelstorfer	
					2019/0290956	A1	9/2019	Ren	
					2020/0094105	A1 *	3/2020	Kueker .....	A63B 22/0221

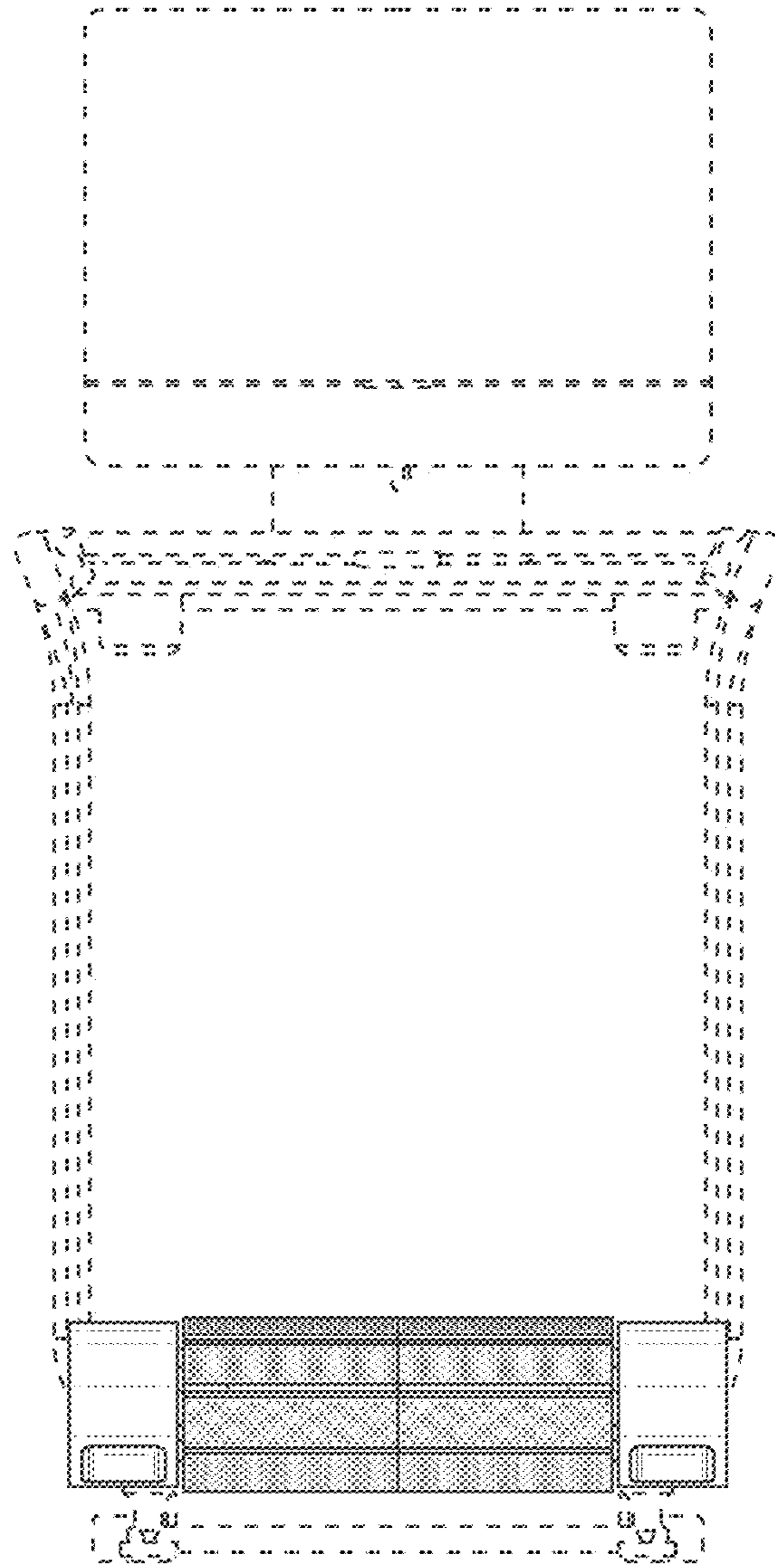
\* cited by examiner



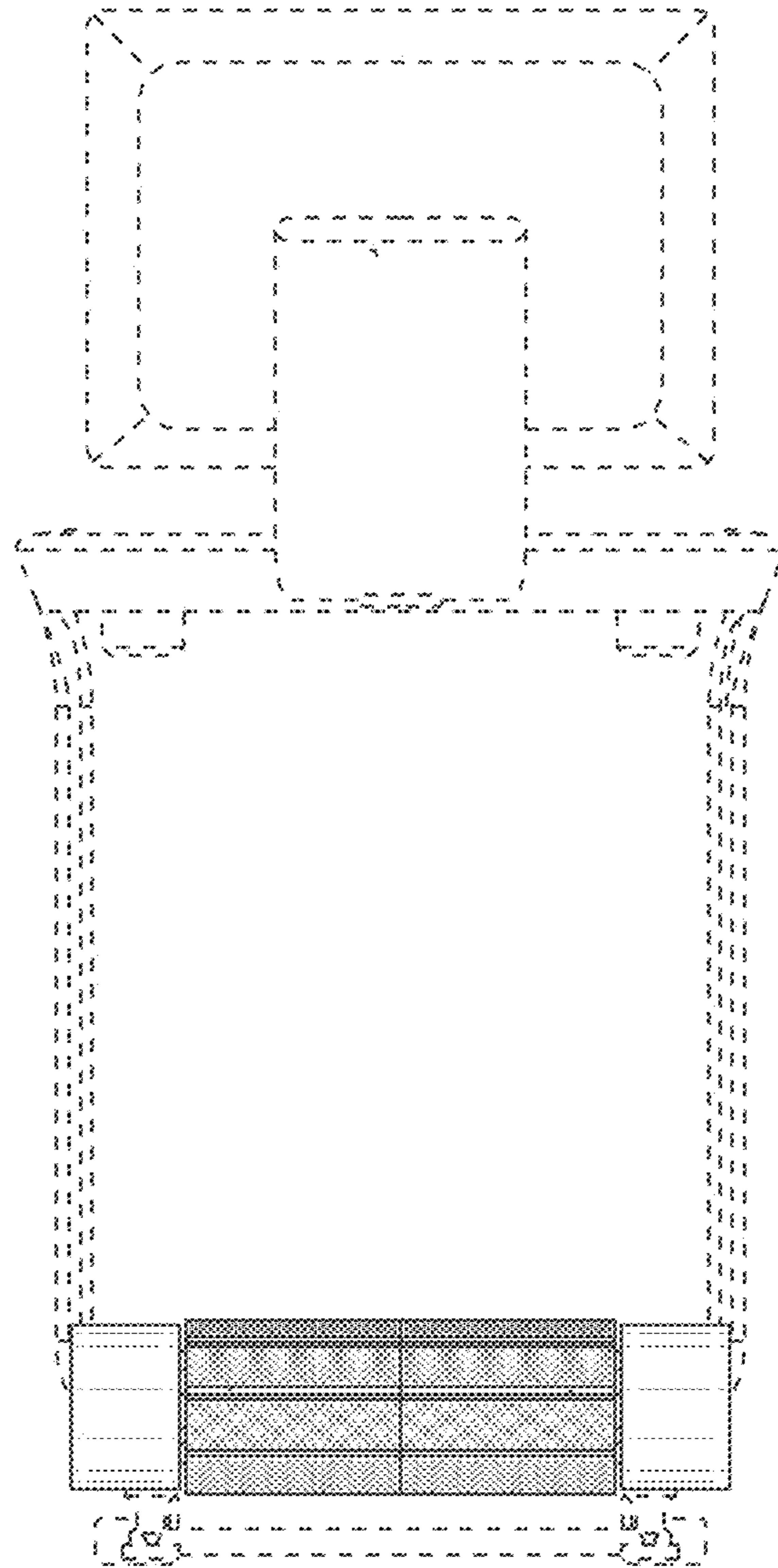
**FIG. 1**



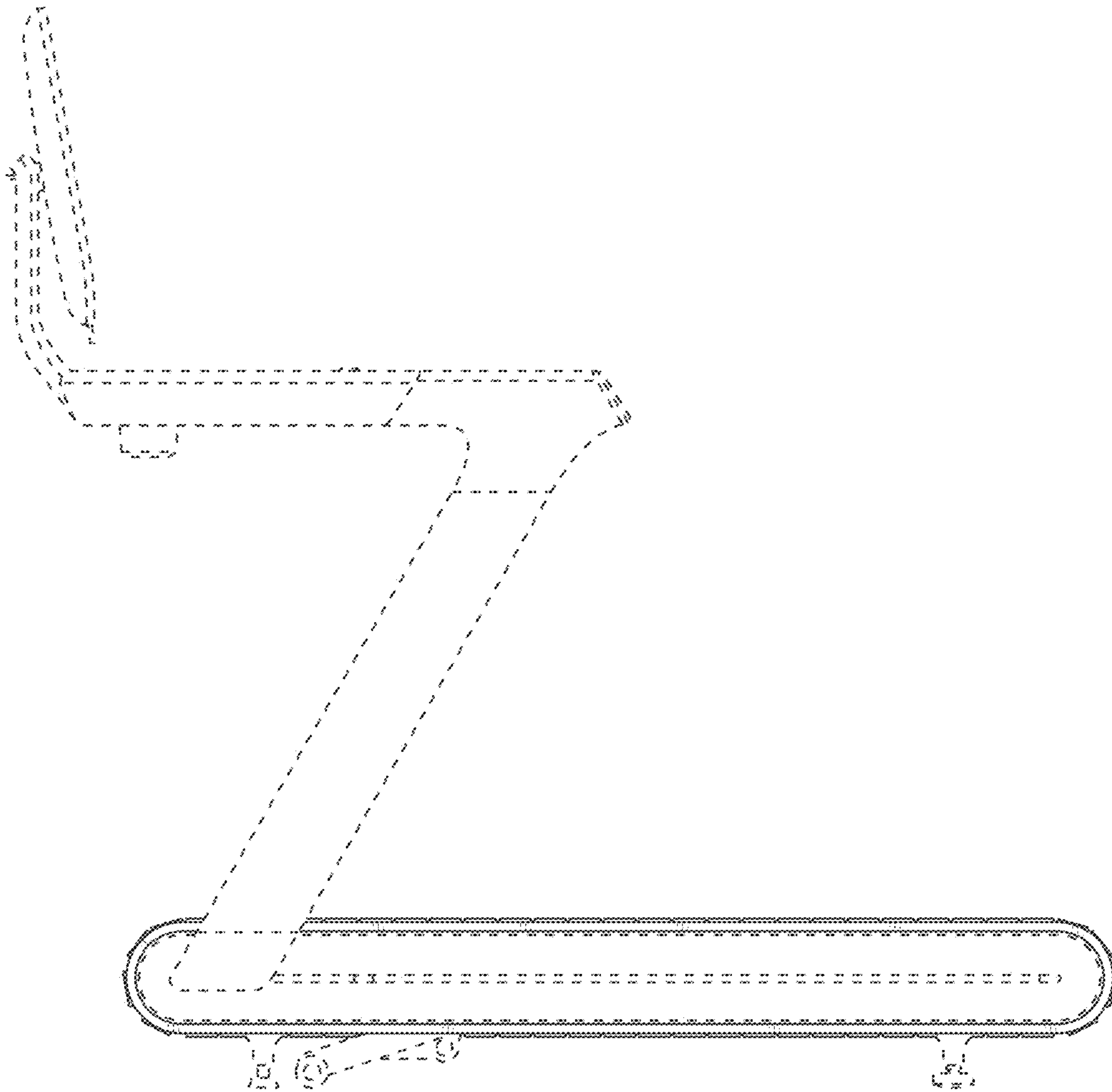
**FIG. 2**



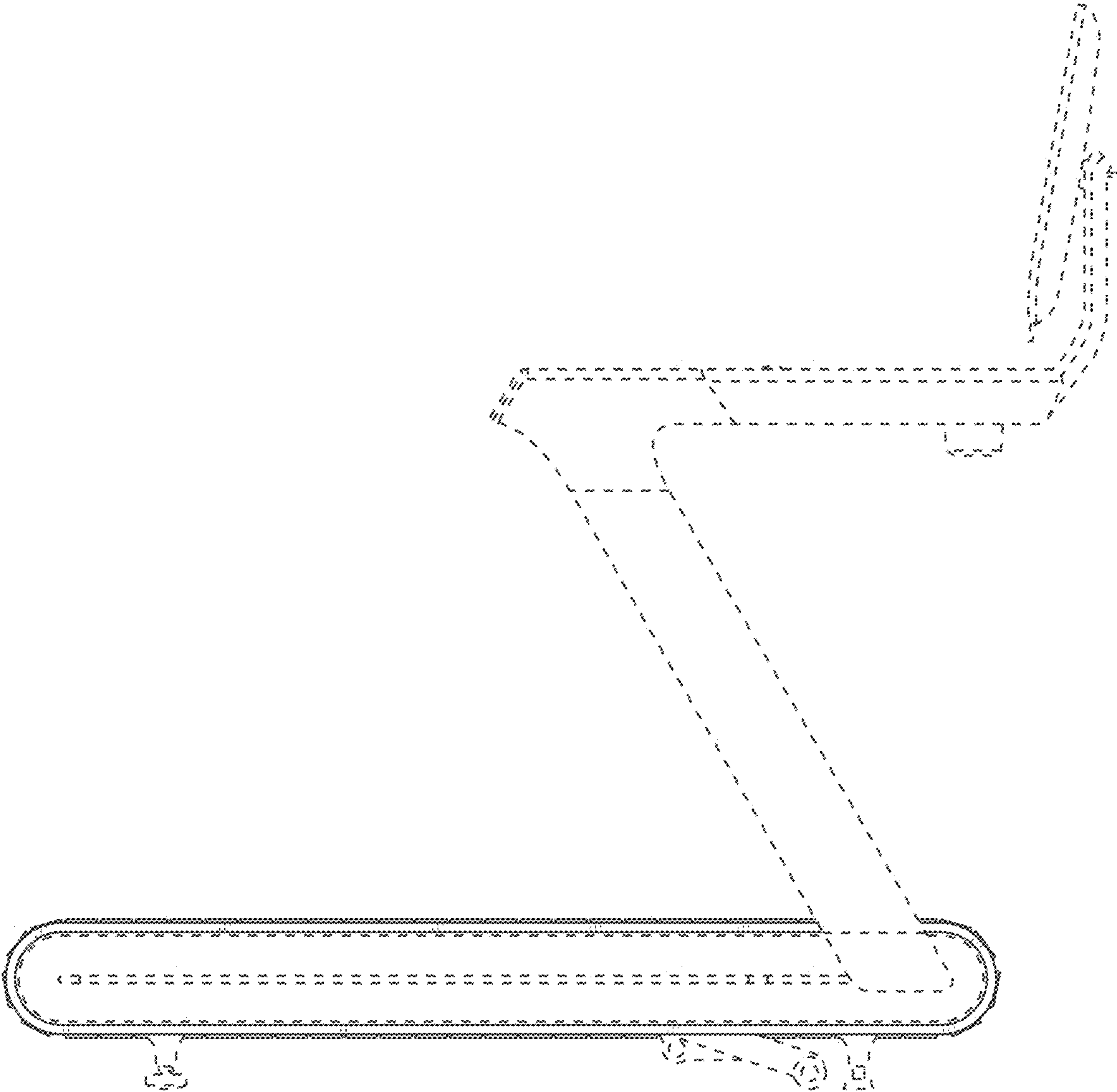
**FIG. 3**



**FIG. 4**

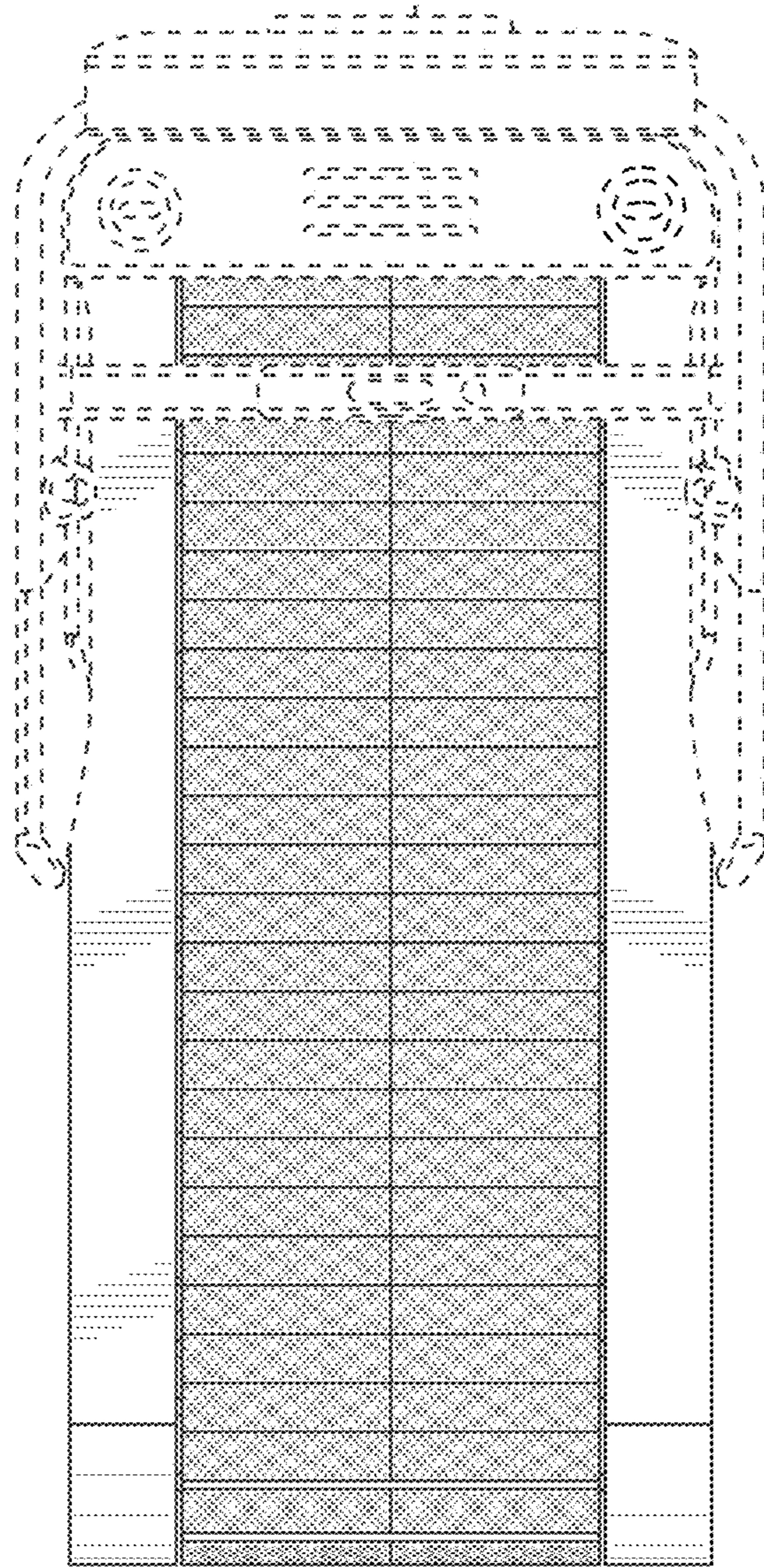


**FIG. 5**

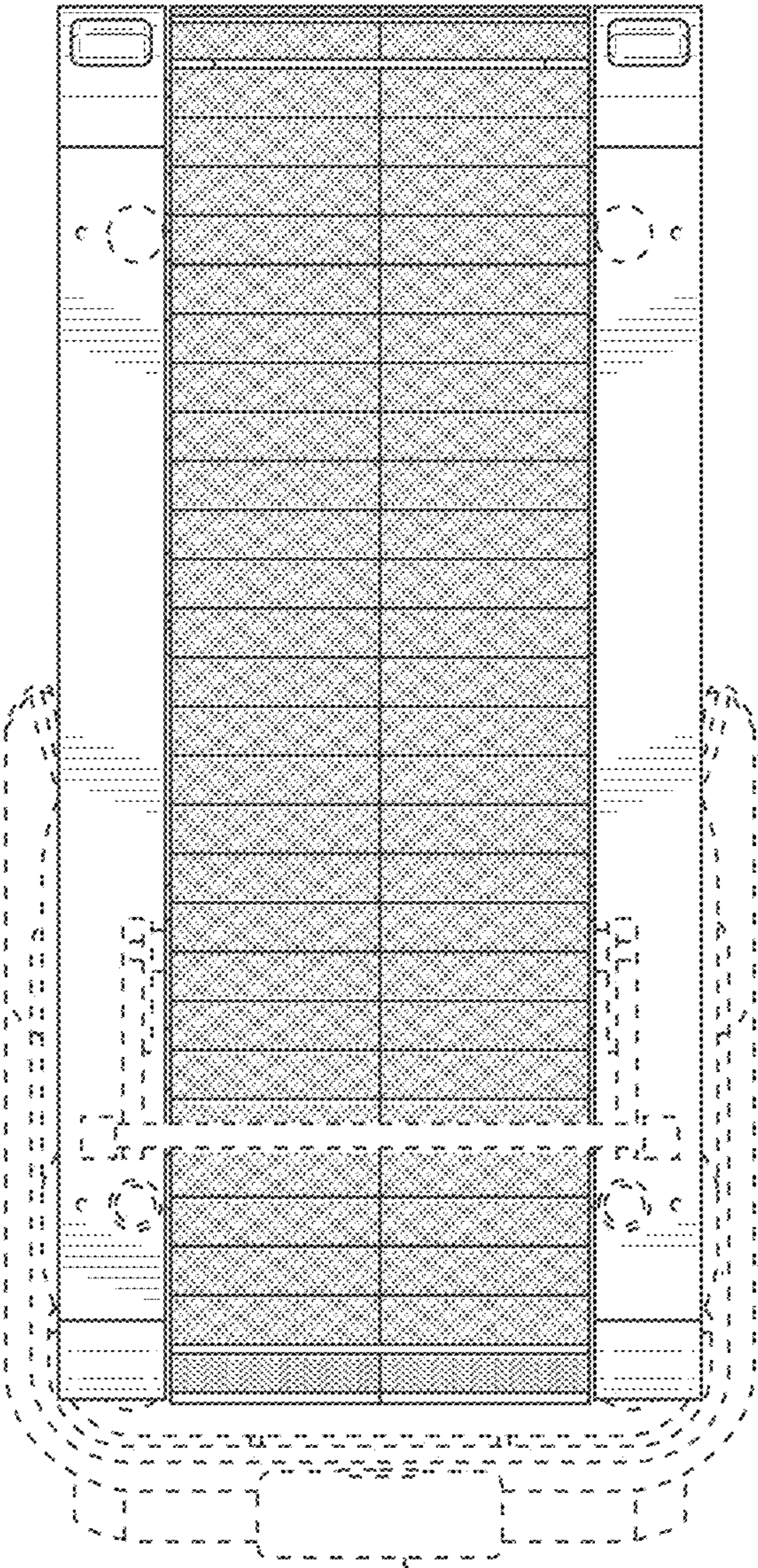


**FIG. 6**





**FIG. 7**



**FIG. 8**