



US00D902331S

(12) **United States Design Patent**  
**Larsen**

(10) **Patent No.:** **US D902,331 S**

(45) **Date of Patent:** **\*\* Nov. 17, 2020**

(54) **EXERCISING APPARATUS**

(71) Applicant: **Hal Holding AS**, Gamle Fredrikstad  
(NO)

(72) Inventor: **Haakon A. Larsen**, Gamle Fredrikstad  
(NO)

(\*\*) Term: **15 Years**

(21) Appl. No.: **35/507,923**

(22) Filed: **Jun. 7, 2019**

(80) **Hague Agreement Data**

Int. Filing Date: **Jun. 7, 2019**

Int. Reg. No.: **DM/204160**

Int. Reg. Date: **Jun. 7, 2019**

Int. Reg. Pub. Date: **Nov. 29, 2019**

(51) **LOC (12) Cl.** ..... **21-02**

(52) **U.S. Cl.**  
USPC ..... **D21/690**

(58) **Field of Classification Search**  
USPC ..... D21/686-691  
CPC ..... A63B 21/00047; A63B 21/068; A63B  
21/4029-4034  
See application file for complete search history.

(56) **References Cited**

**U.S. PATENT DOCUMENTS**

D358,624 S \* 5/1995 Wang ..... D21/673  
D389,205 S \* 1/1998 van Straaten ..... D21/690

D438,578 S \* 3/2001 Kuo ..... D21/676  
D462,730 S \* 9/2002 Cormier ..... D21/676  
7,115,081 B2 \* 10/2006 Stearns ..... A63B 21/055  
482/140  
D647,151 S \* 10/2011 Van Straaten ..... D21/676  
D727,441 S \* 4/2015 Chuang ..... D21/687  
D810,847 S \* 2/2018 Schlauder ..... D21/690  
D816,784 S \* 5/2018 Monti ..... D21/690  
D819,148 S \* 5/2018 Smith, Jr. .... A63B 21/055  
D21/690  
D843,518 S \* 3/2019 Lien ..... D21/690  
D849,858 S \* 5/2019 Deis ..... D21/691  
D849,859 S \* 5/2019 Deis ..... D21/691

\* cited by examiner

*Primary Examiner* — George D. Kirschbaum  
*Assistant Examiner* — Joseph J Kukella

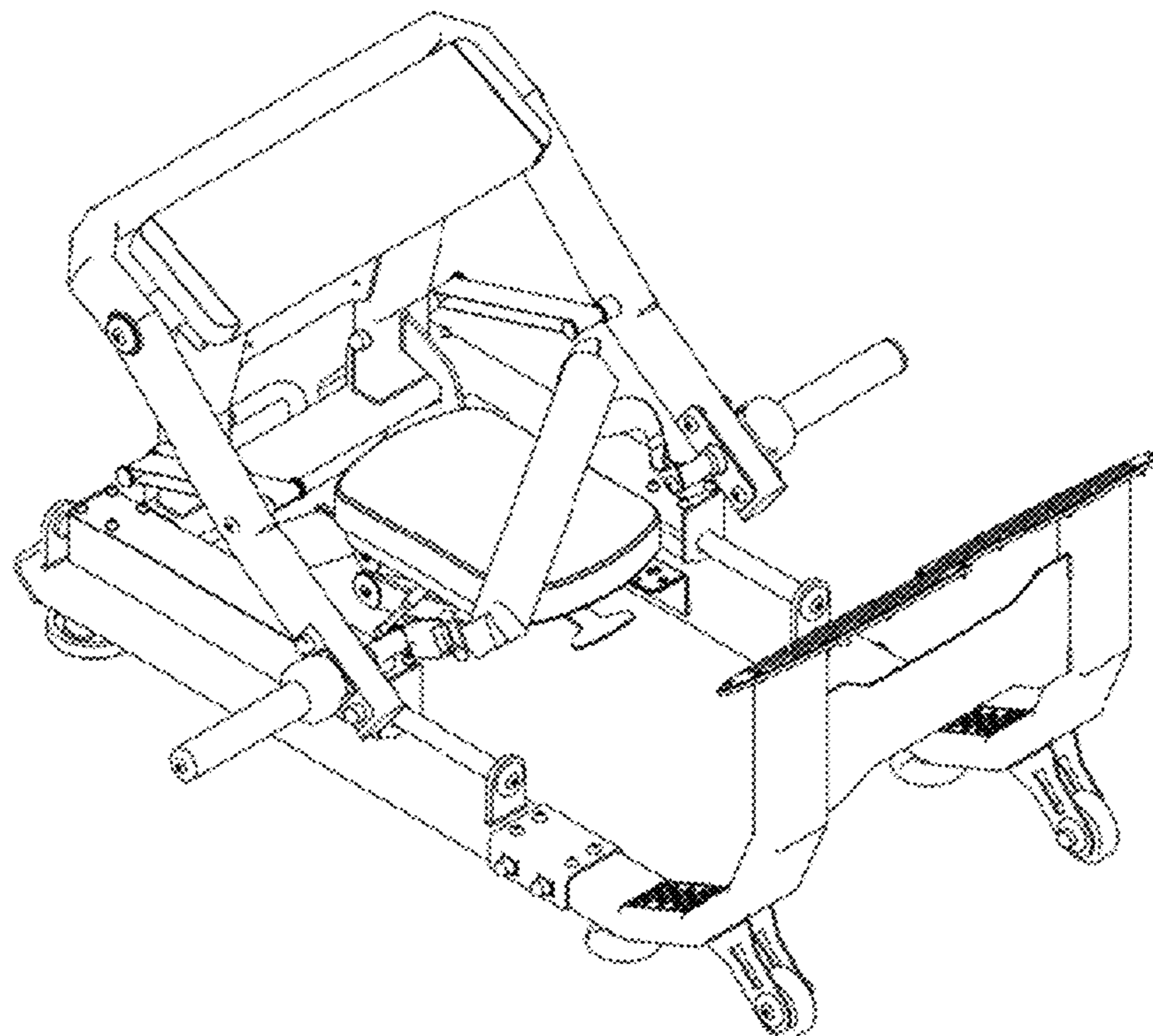
(57) **CLAIM**

The ornamental design for an exercising apparatus, as shown and described.

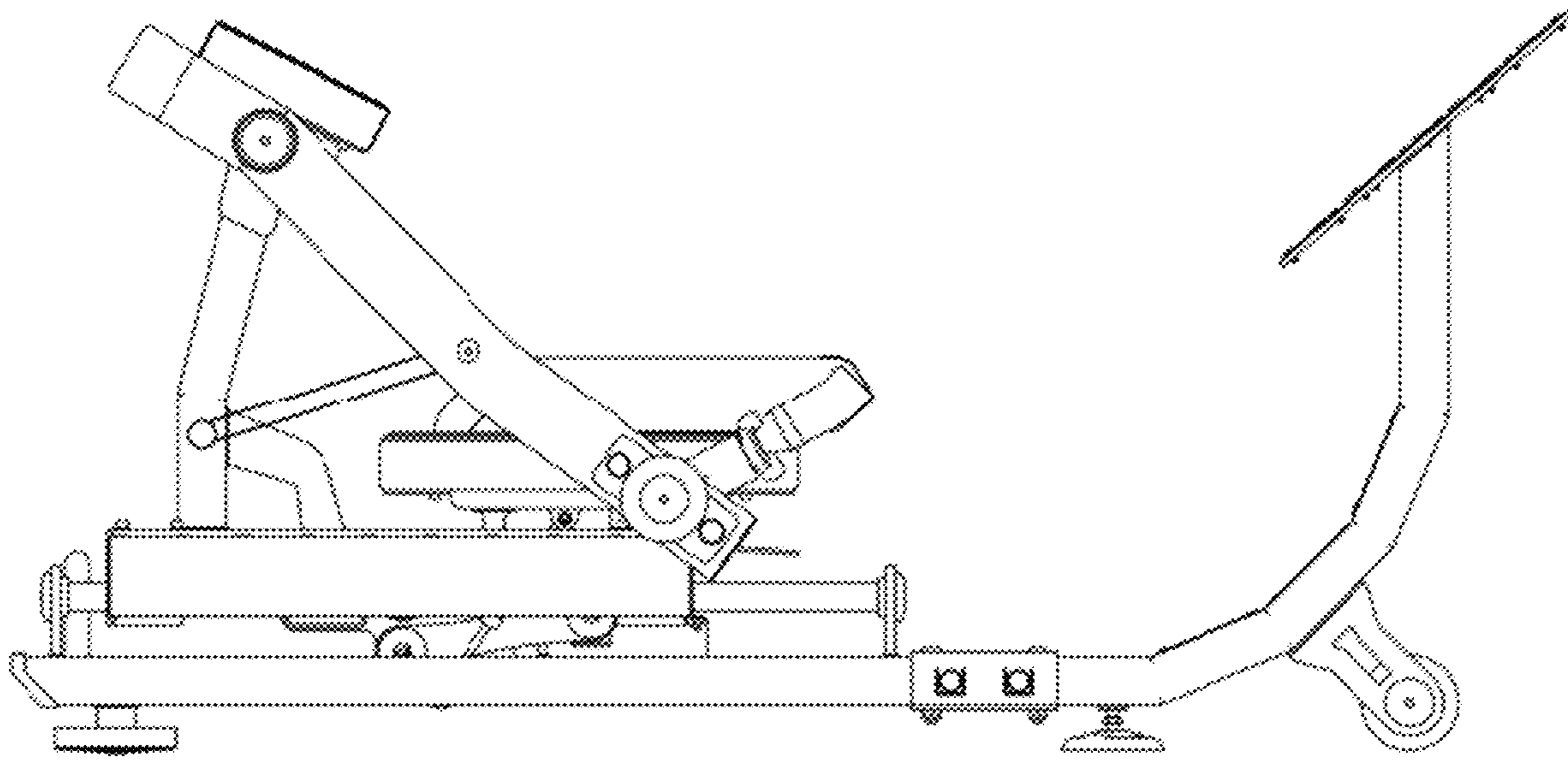
**DESCRIPTION**

- 1. Exercising apparatus
- 1.1 : Right
- 1.2 : Bottom
- 1.3 : Top
- 1.4 : Back
- 1.5 : Front
- 1.6 : Perspective

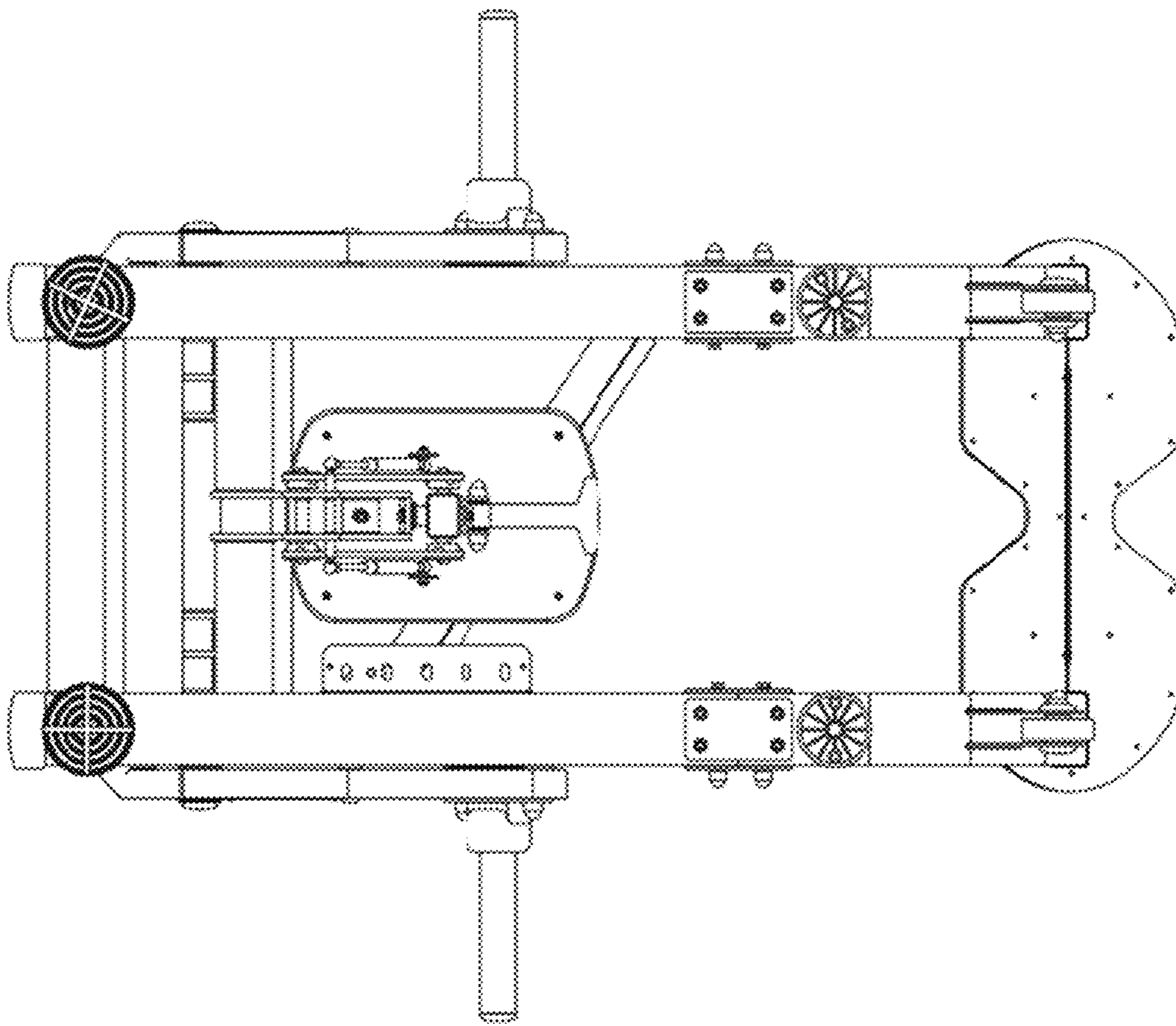
**1 Claim, 6 Drawing Sheets**



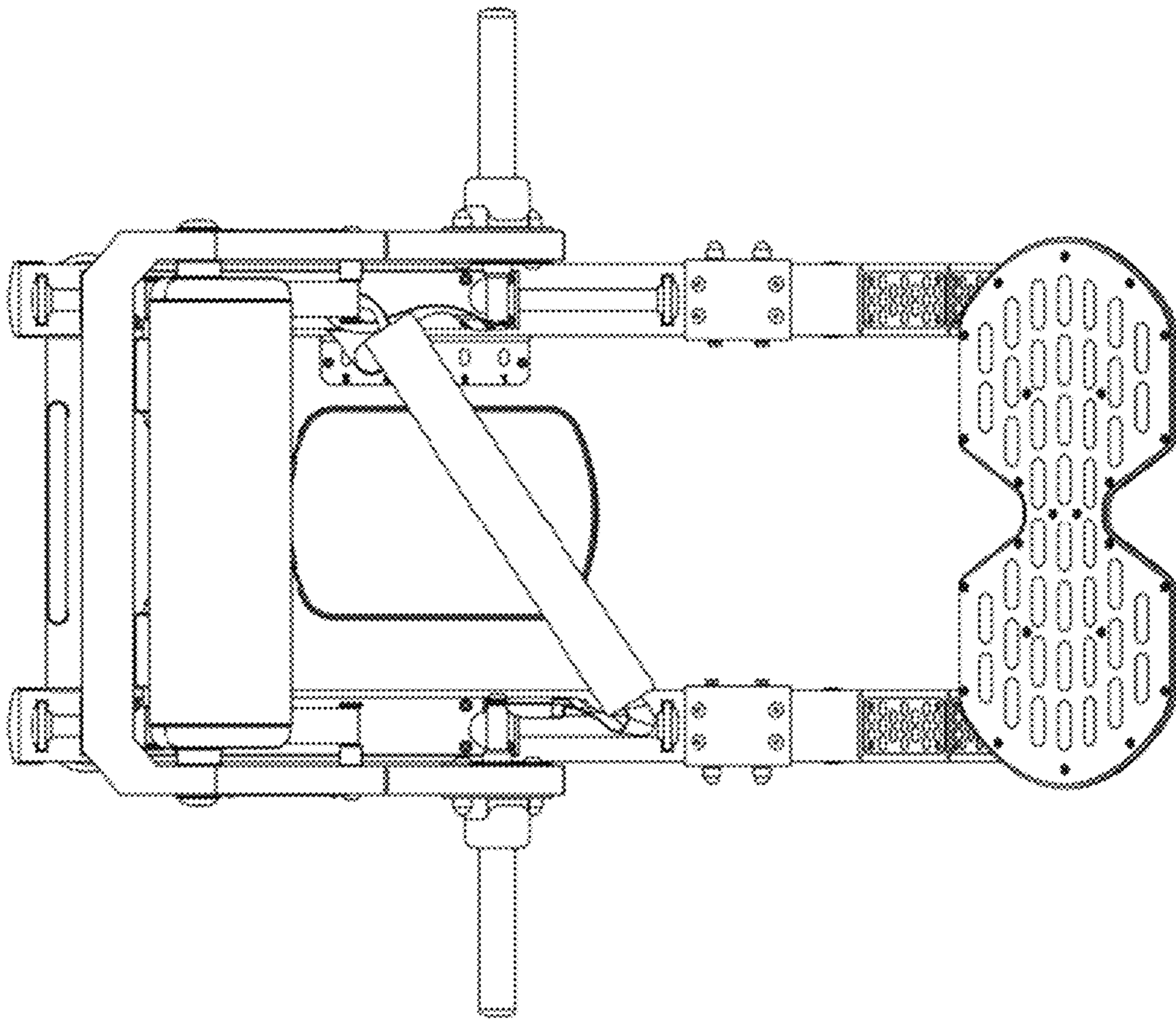
1.1



1.2

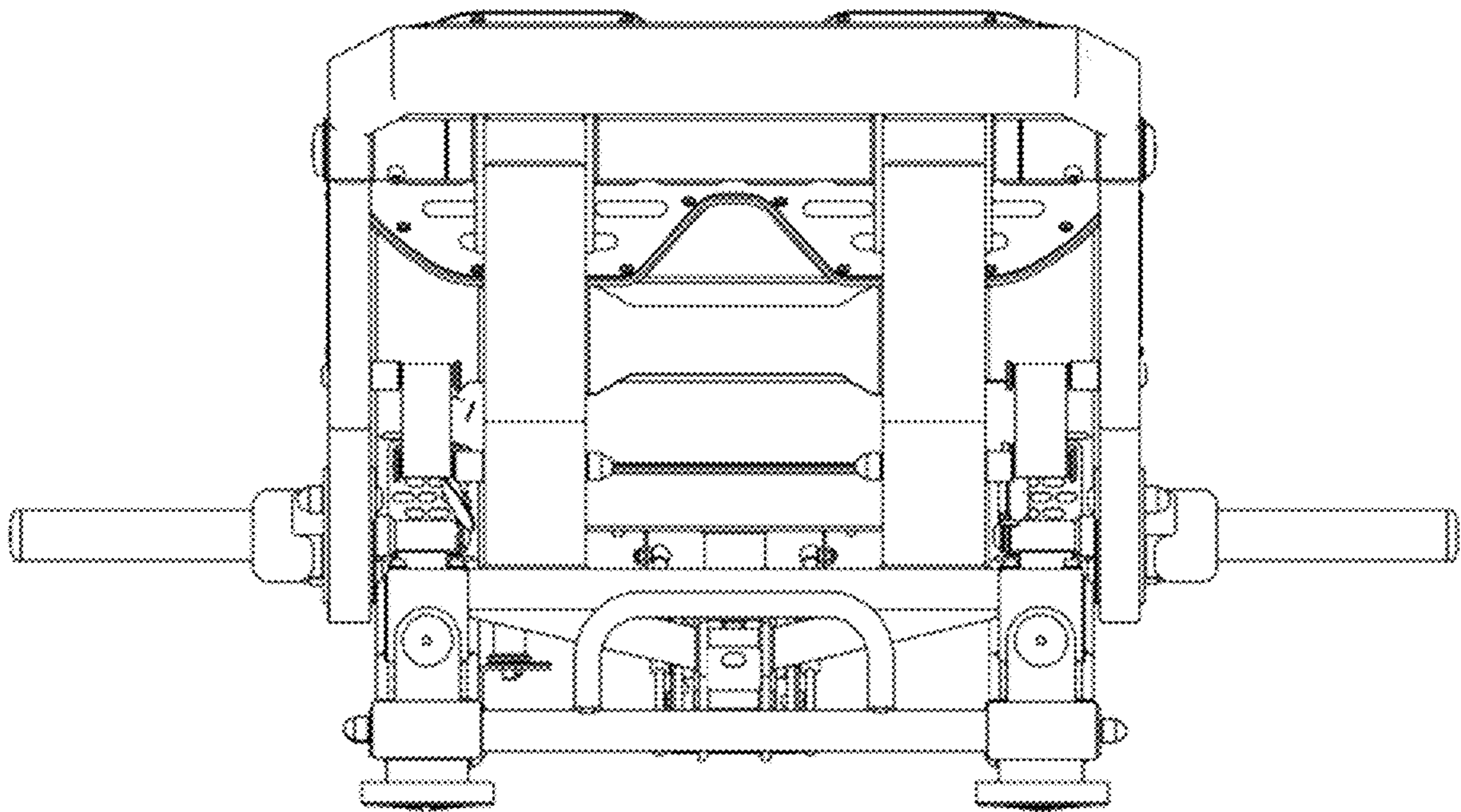


1.3

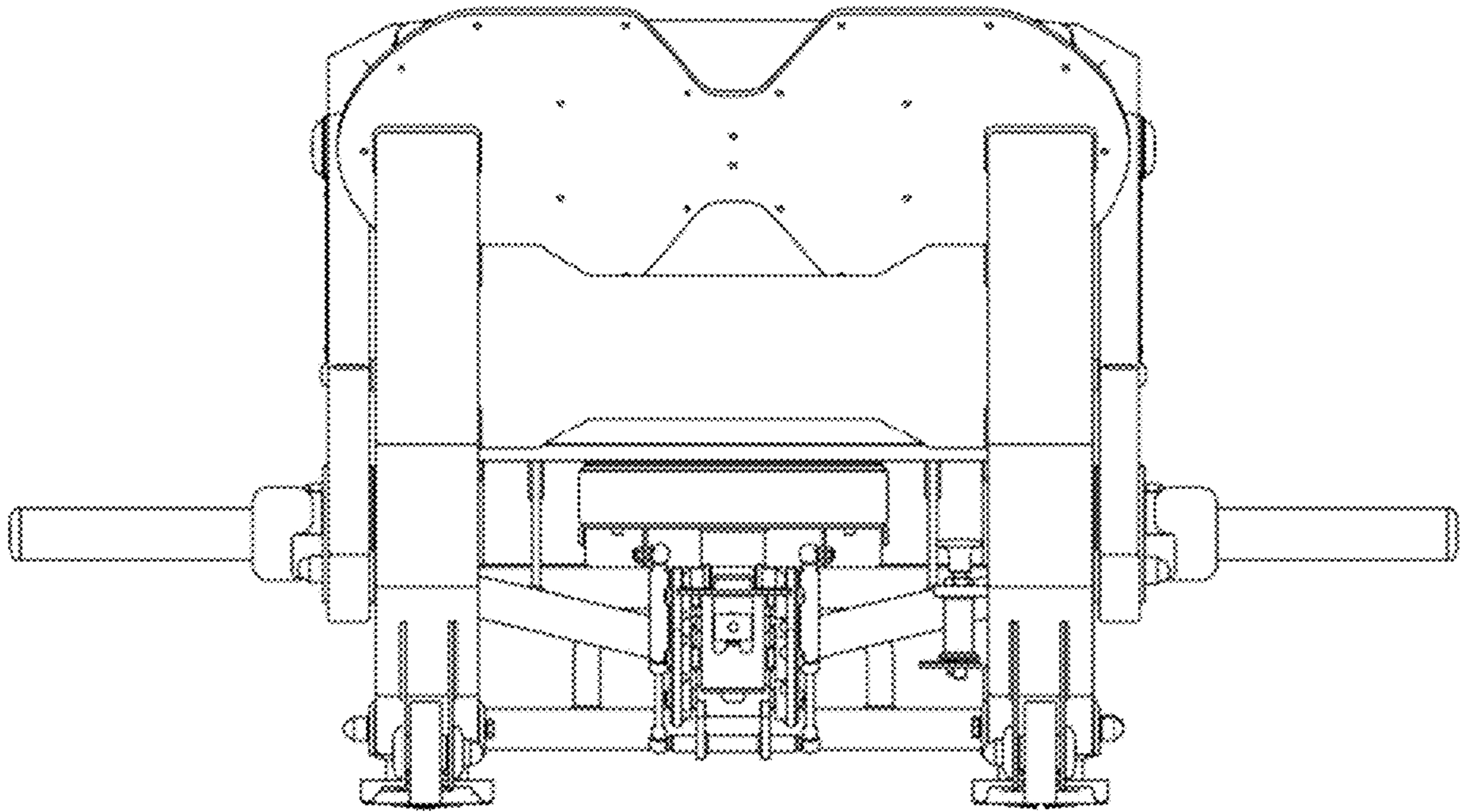




1.4



1.5



1.6

