



US00D902326S

(12) **United States Design Patent**  
**Kamiyama**

(10) **Patent No.:** **US D902,326 S**

(45) **Date of Patent:** **\*\* Nov. 17, 2020**

- (54) **TOY FERRIS WHEEL**
- (71) Applicant: **EPOCH COMPANY, LTD**, Tokyo (JP)
- (72) Inventor: **Kei Kamiyama**, Tokyo (JP)
- (73) Assignee: **EPOCH COMPANY, LTD.**, Tokyo (JP)
- (\*\*) Term: **15 Years**

D552,642 S *	10/2007	Schulman	.....	D15/145
D572,317 S *	7/2008	Lam	.....	D21/530
D587,777 S *	3/2009	Chu	.....	D21/829
D800,862 S *	10/2017	Easler	.....	D21/829
D815,201 S *	4/2018	Larson et al.	.....	D19/1

**FOREIGN PATENT DOCUMENTS**

CN 304869766 \* 10/2018

**OTHER PUBLICATIONS**

AmazonSmile: Sylvanian Families School, Kindergarten Cute Ferris Wheel Set, website 2019, <https://smile.amazon.com/Sylvanian-Families-School-Kindergarten-S-66/dp/B0799KCLC> . . . site visited Dec. 8, 2019.\*

\* cited by examiner

*Primary Examiner* — John R Yeh

(74) *Attorney, Agent, or Firm* — Fitzgerald IP Law; John K Fitzgerald, Esq.

- (21) Appl. No.: **29/645,067**
- (22) Filed: **Apr. 23, 2018**
- (30) **Foreign Application Priority Data**  
Oct. 24, 2017 (JP) ..... 2017-023482
- (51) **LOC (12) Cl.** ..... **21-01**
- (52) **U.S. Cl.**  
USPC ..... **D21/530**
- (58) **Field of Classification Search**  
USPC ..... D21/519–522, 523–524, 528, 530, 532, D21/586, 814, 816, 820, 827, 615, 611, D21/582, 447, 405, 409; D6/707, 707.22; D23/272  
CPC ..... A47C 31/11; A47C 13/00; A47C 7/62; A63H 33/3055; A63H 33/30; A63H 33/003; A63H 5/00; A47D 11/00  
See application file for complete search history.

(57) **CLAIM**

The ornamental design for a toy ferris wheel, as shown and described.

**DESCRIPTION**

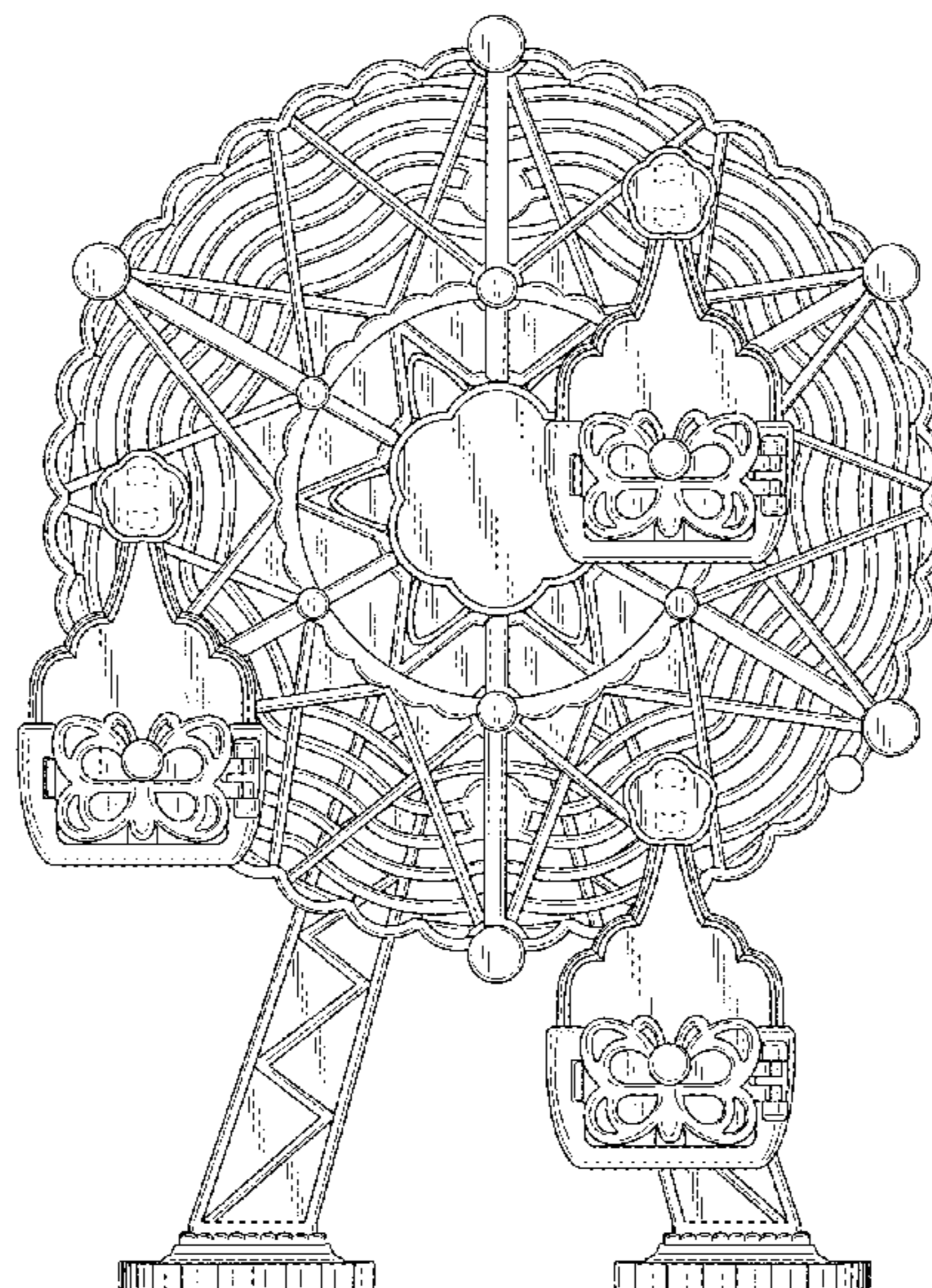
FIG is a front perspective view of a toy ferris wheel showing my new design;  
FIG. 2 is a rear perspective view thereof;  
FIG. 3 is a front view thereof;  
FIG. 4 is a rear view thereof;  
FIG. 5 is a top plan view thereof;  
FIG. 6 is a bottom view thereof;  
FIG. 7 is a left side view thereof; and,  
FIG. 8 is a right side view thereof.  
The broken lines shown are included for the purpose of illustrating portions of the article which form no part of the claimed design.

**1 Claim, 8 Drawing Sheets**

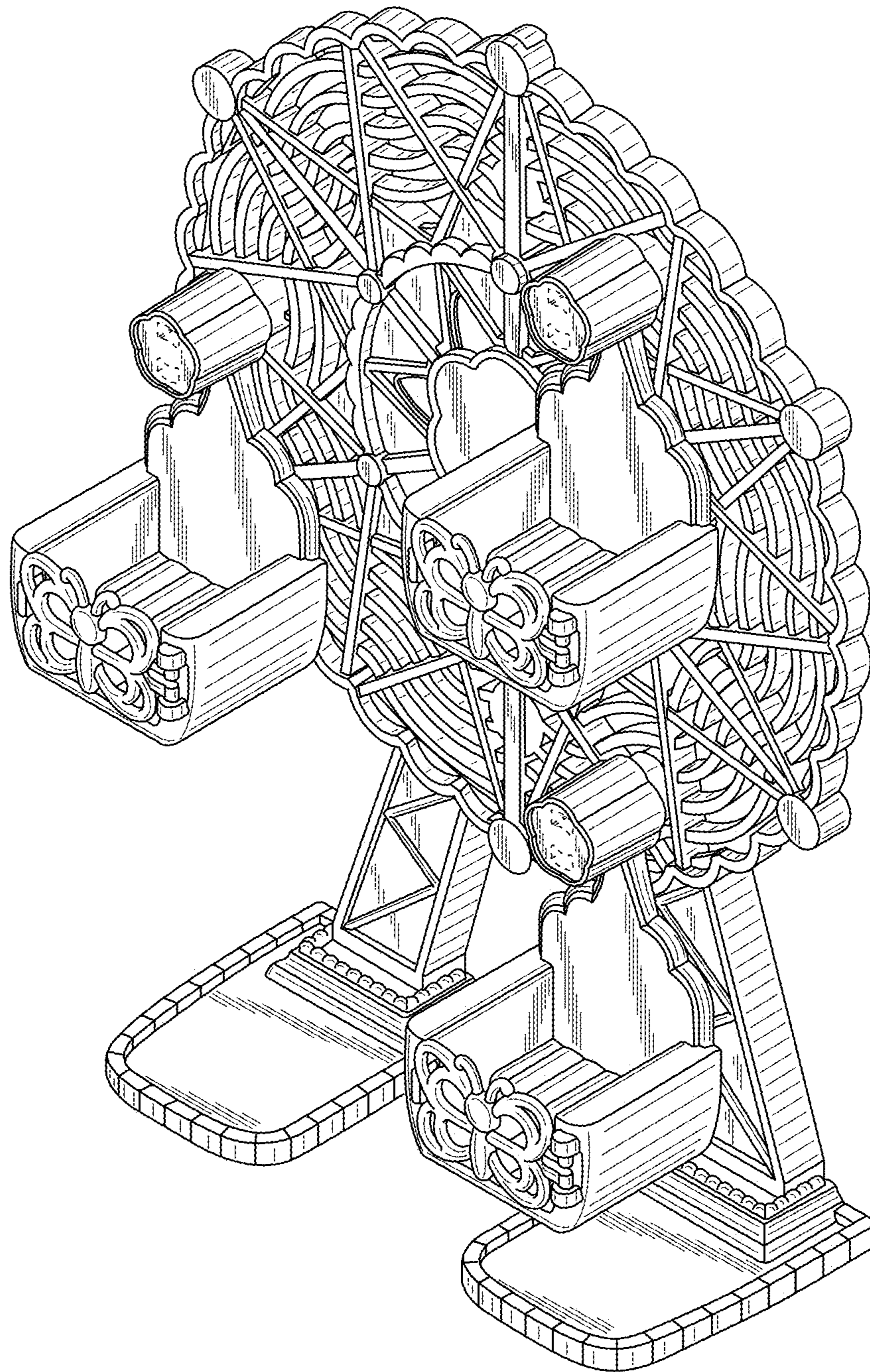
(56) **References Cited**

**U.S. PATENT DOCUMENTS**

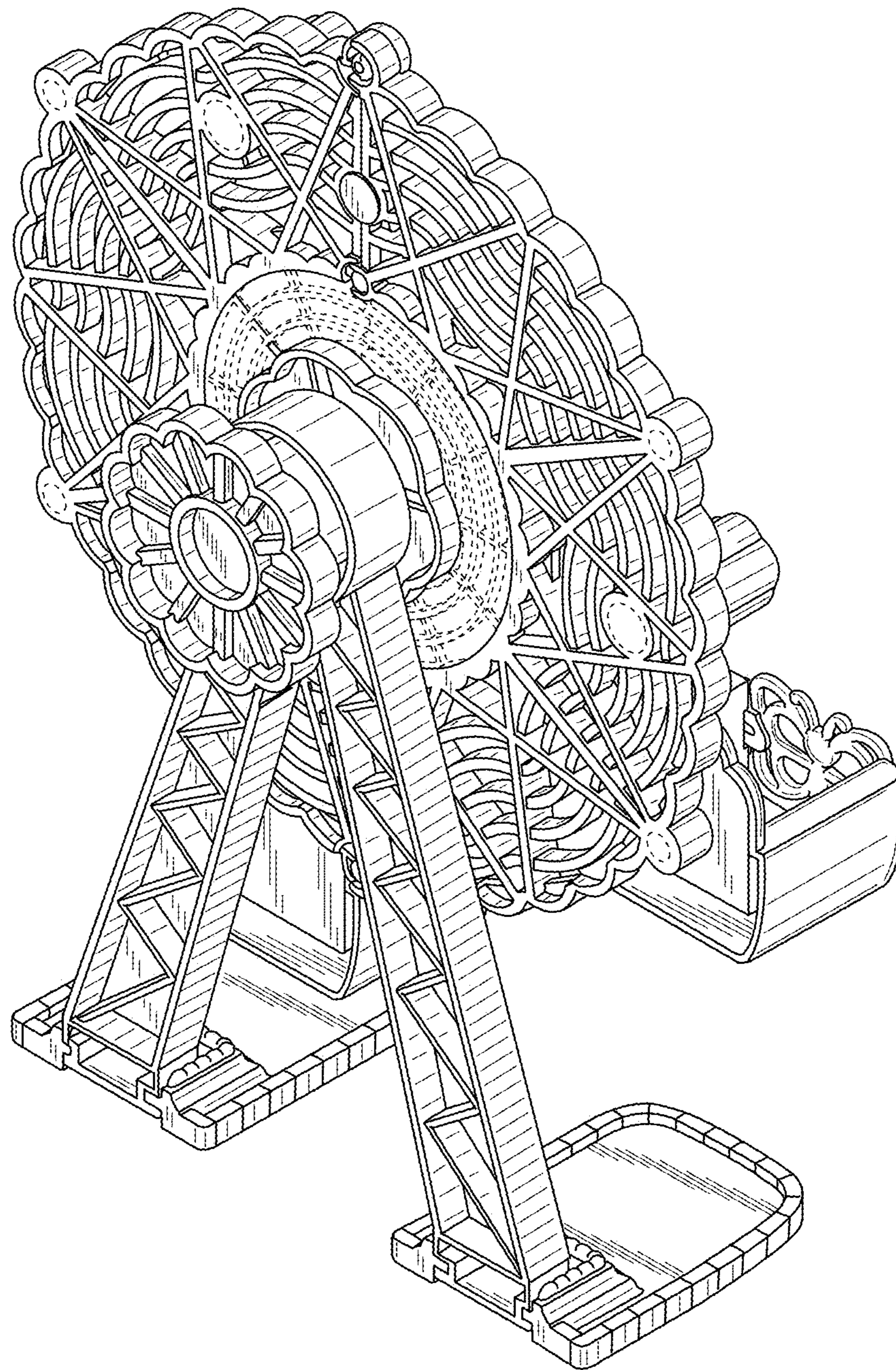
D35,331 S *	11/1901	Clark	.....	D12/209
1,867,996 A *	7/1932	Baer	.....	D11/121
D199,744 S *	12/1964	McDonald	.....	D21/530
D205,366 S *	7/1966	Lakin	.....	D34/15
D285,592 S *	9/1986	Kushner	.....	D21/248
D303,692 S *	9/1989	Jones	.....	D21/124
D379,777 S *	6/1997	Segan	.....	D11/121
6,037,679 A *	3/2000	Pirillo	.....	307/125



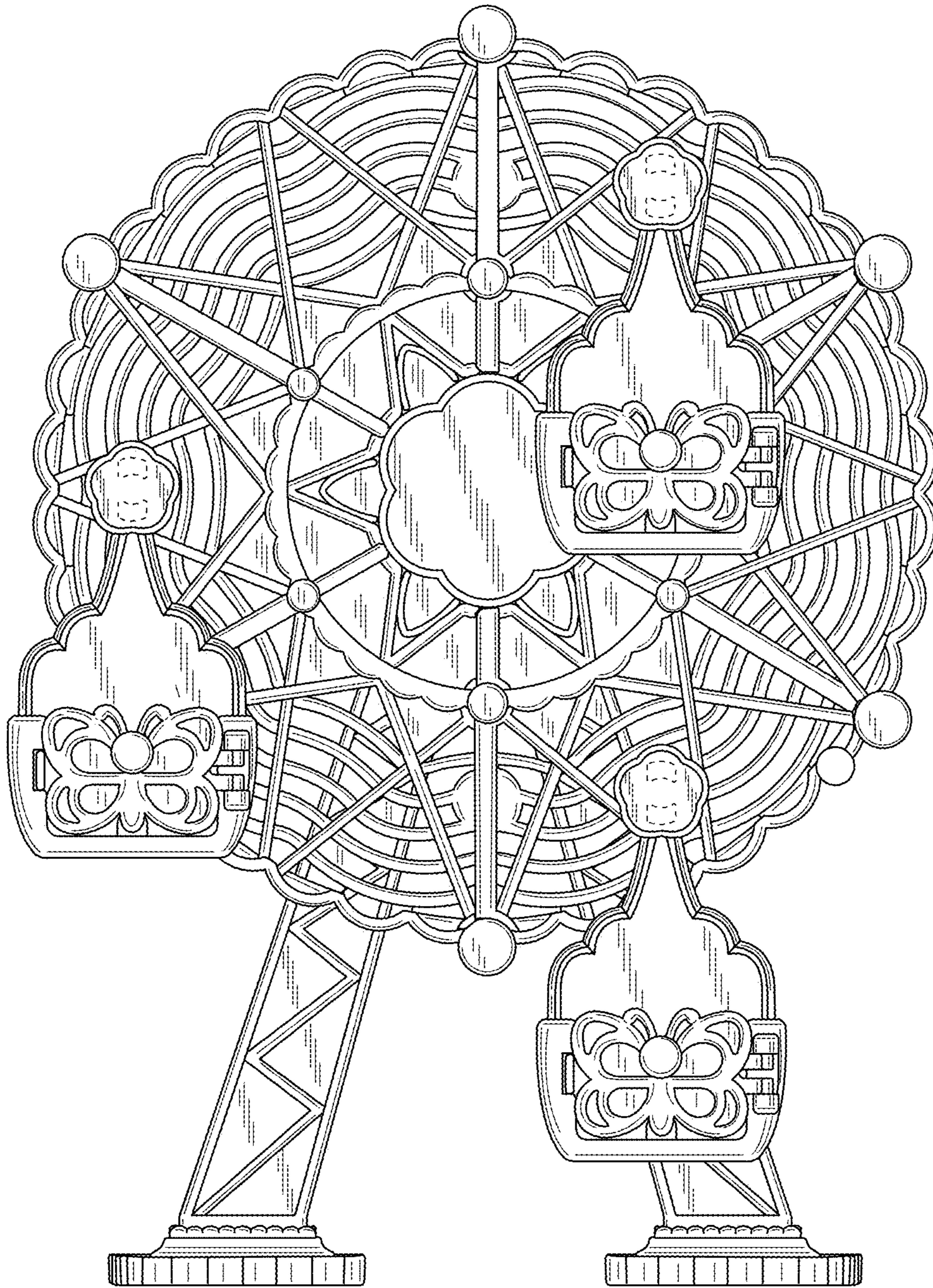
**FIG. 1**



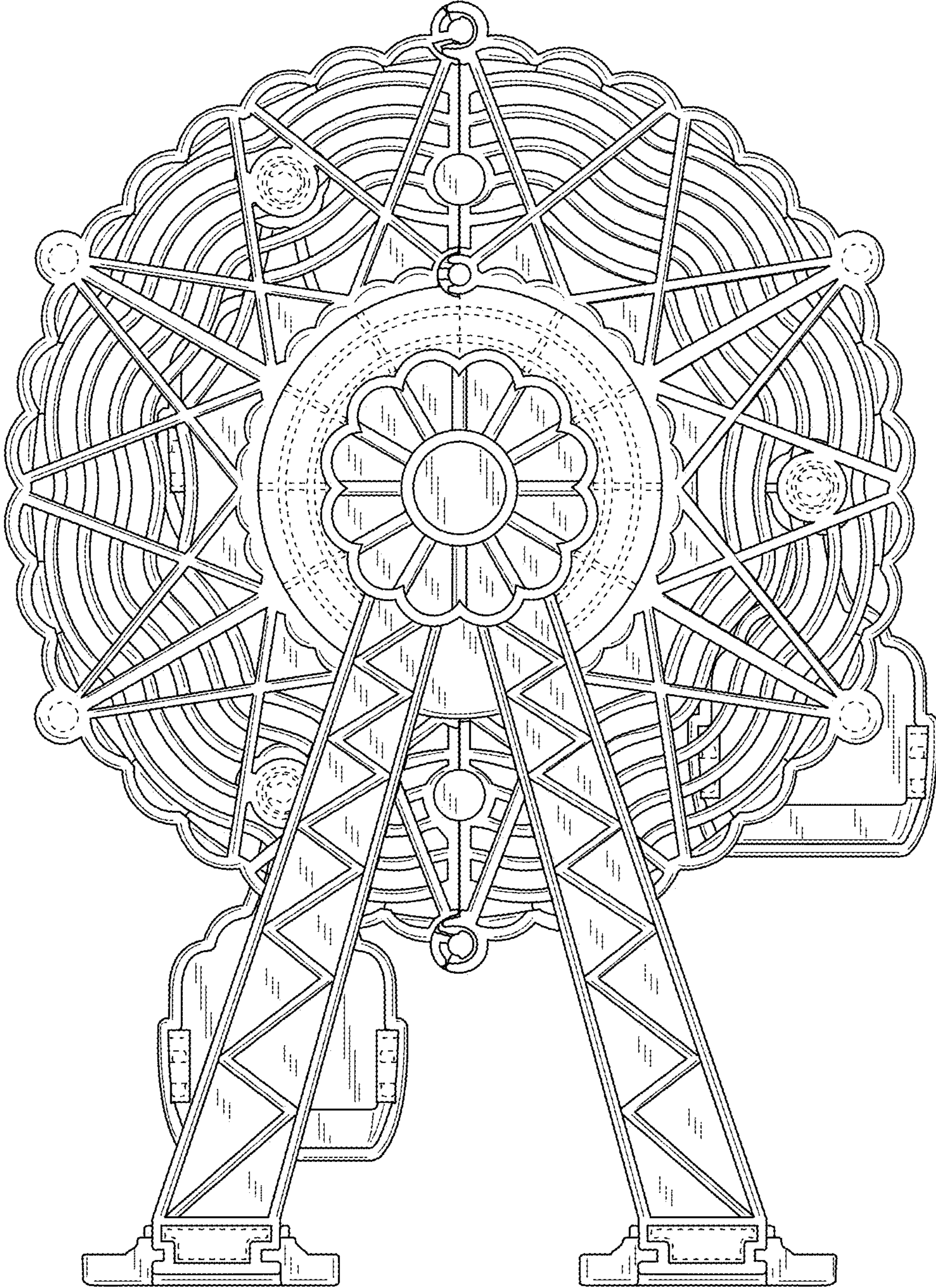
**FIG. 2**



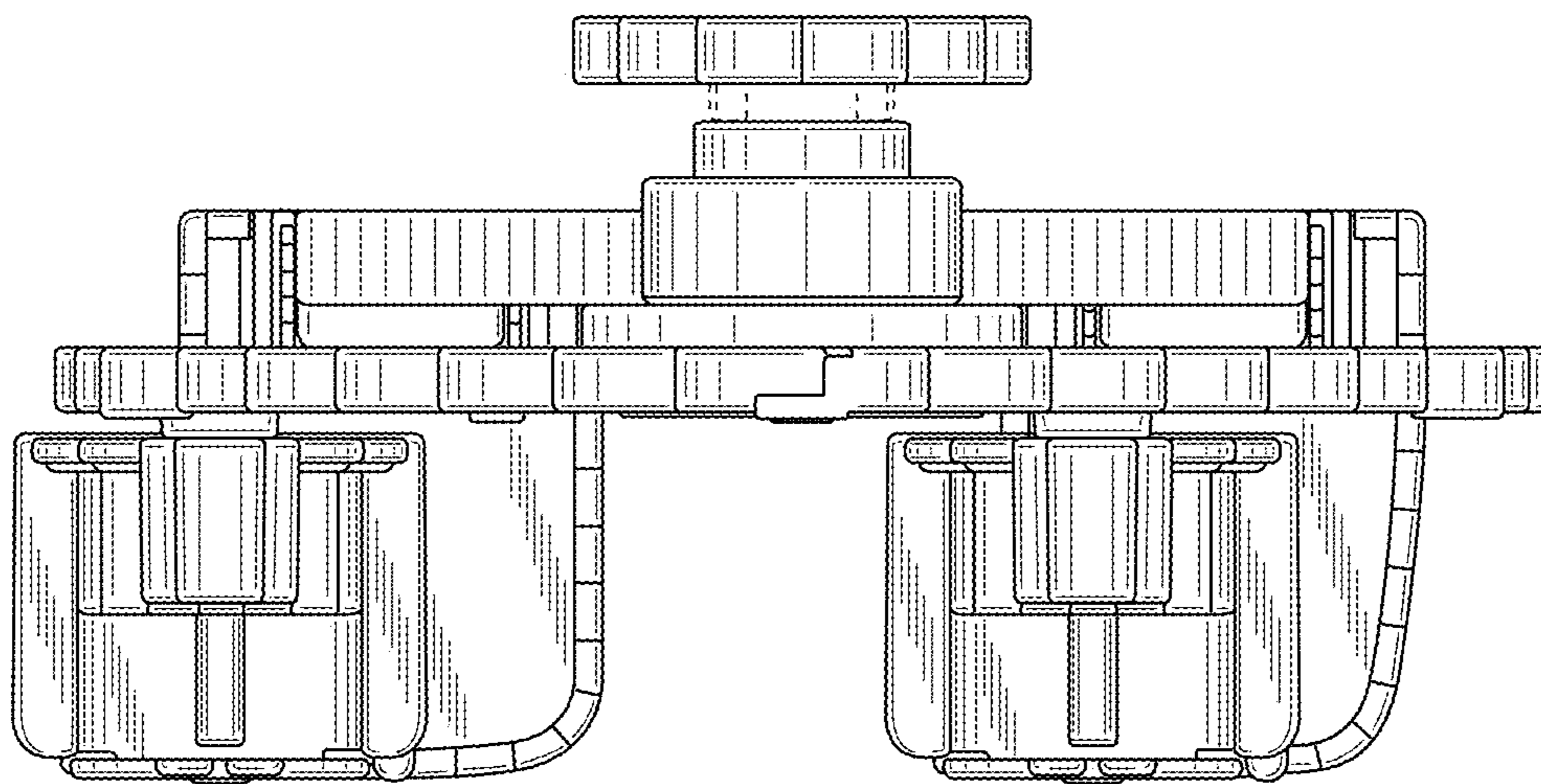
**FIG. 3**



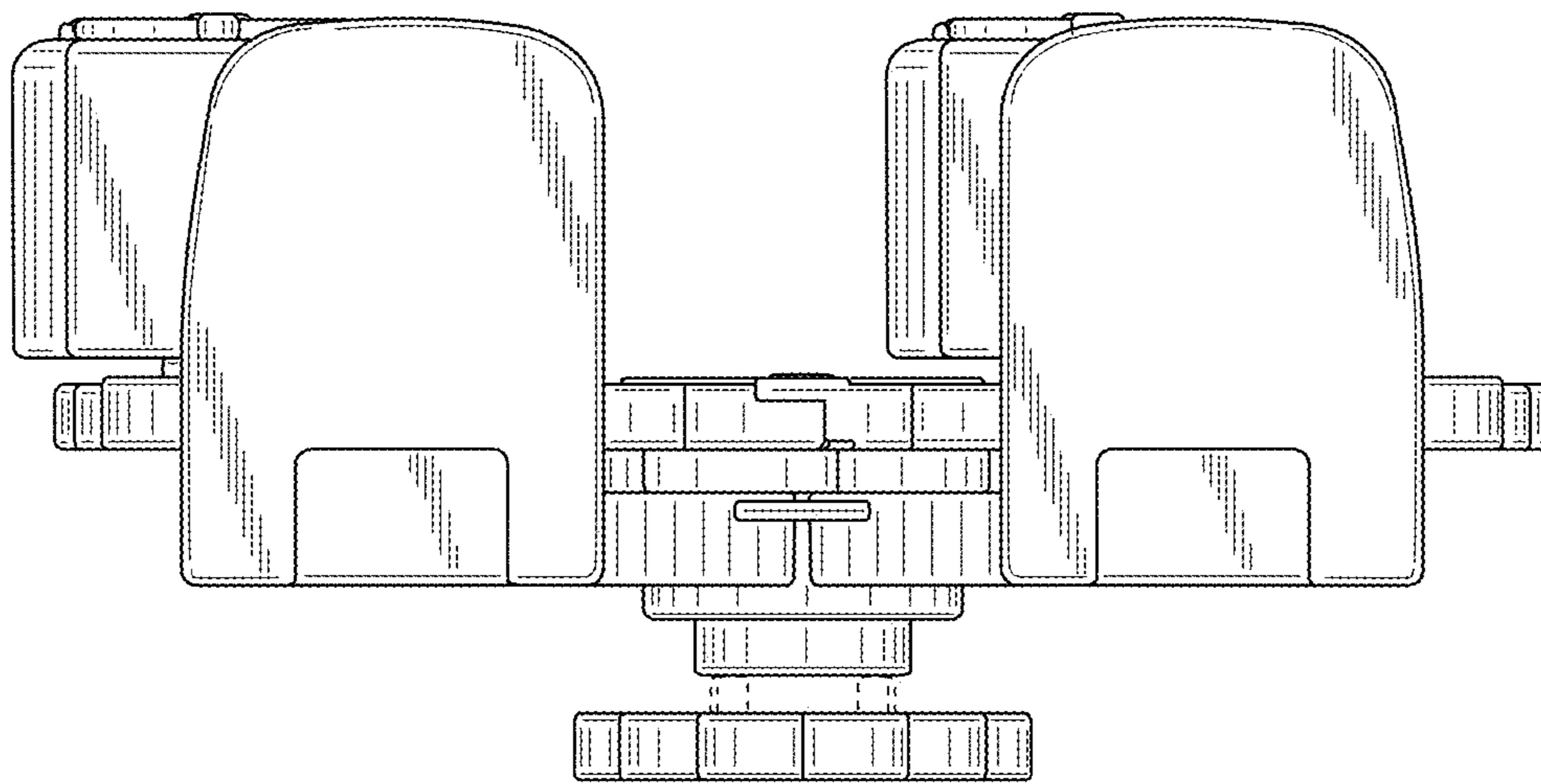
**FIG. 4**



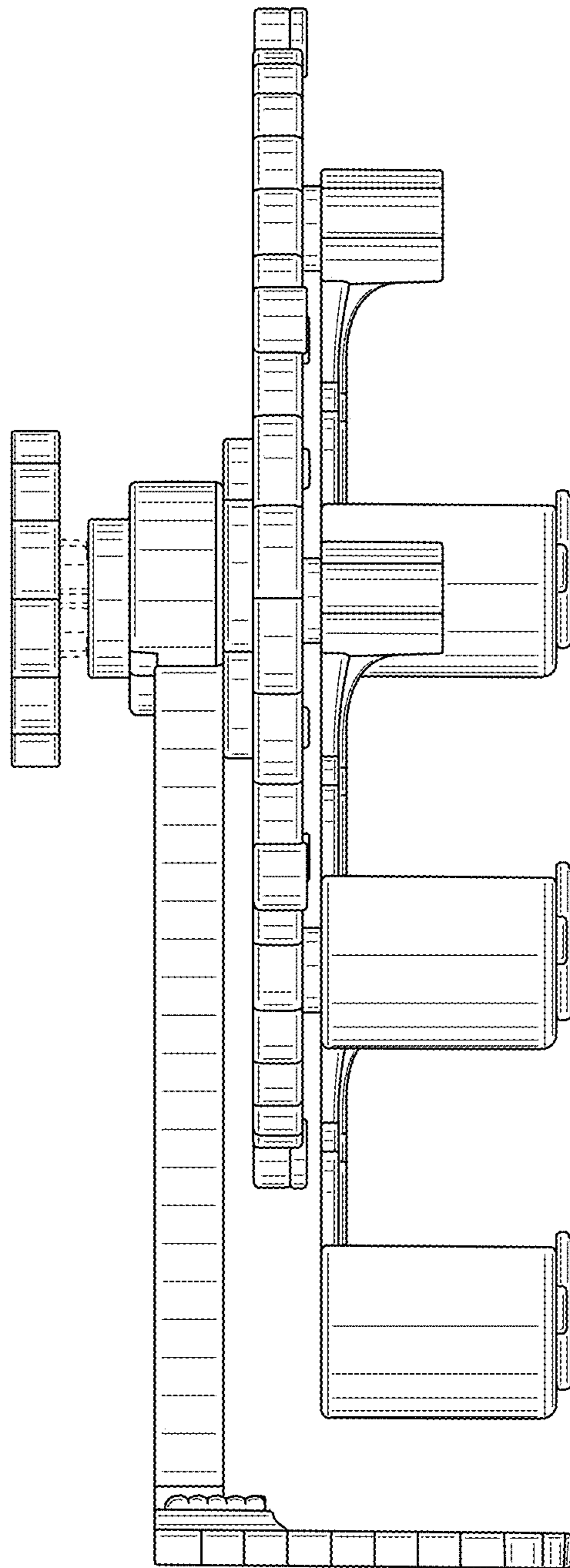
*FIG. 5*



**FIG. 6**



**FIG. 7**





*FIG. 8*

