



US00D902324S

(12) **United States Design Patent**  
**Johnson**

(10) **Patent No.:** **US D902,324 S**

(45) **Date of Patent:** **\*\* Nov. 17, 2020**

(54) **PLAY KITCHEN**

(71) Applicant: **Lakeshore Equipment Company,**  
Carson, CA (US)

(72) Inventor: **Peggy Johnson,** Renondo Beach, CA  
(US)

(73) Assignee: **Lakeshore Equipment Company,**  
Carson, CA (US)

(\*\*) Term: **15 Years**

(21) Appl. No.: **29/674,564**

(22) Filed: **Dec. 21, 2018**

(51) **LOC (12) Cl.** ..... **21-01**

(52) **U.S. Cl.**  
USPC ..... **D21/524**

(58) **Field of Classification Search**  
USPC ..... D21/519–522, 523–524, 528, 530, 532,  
D21/586, 814, 816, 820, 827, 615, 611,  
D21/582, 447, 405, 409; D6/707, 707.22;  
D23/272

CPC ..... A47C 31/11; A47C 13/00; A47C 7/62;  
A63H 33/3055; A63H 33/30; A63H  
33/003; A63H 5/00; A47D 11/00  
See application file for complete search history.

(56) **References Cited**

**U.S. PATENT DOCUMENTS**

D261,404 S *	10/1981	Appel .....	D21/524
D277,020 S *	1/1985	Mariol .....	D21/524
D291,218 S *	8/1987	Mariol .....	D21/522
D366,292 S *	1/1996	Monneret .....	D21/524
D370,947 S *	6/1996	Pipik .....	D21/524
D396,072 S *	7/1998	Katzman .....	D21/524
6,363,865 B1 *	4/2002	Alcala .....	A63H 33/3055 108/25
D461,208 S *	8/2002	Chaudeurge .....	D21/524
D478,946 S *	8/2003	Franta .....	D21/524

D488,520 S *	4/2004	Yuen .....	D21/524
D489,774 S *	5/2004	Hradisky .....	D21/524
6,964,595 B2 *	11/2005	Libretti .....	A47D 1/10 446/482
D531,680 S *	11/2006	Lo .....	D21/524
D577,777 S *	9/2008	Shen .....	D21/524
D606,597 S *	12/2009	Sohn .....	D21/519
D668,303 S *	10/2012	Desberg .....	D21/524
D671,994 S *	12/2012	Wojtkiewicz .....	D21/522
D676,498 S *	2/2013	Desberg .....	D21/522
D825,008 S *	8/2018	Follett .....	D21/524

(Continued)

**FOREIGN PATENT DOCUMENTS**

GB 3028648 \* 2/2018

**OTHER PUBLICATIONS**

The 10 Best Kitchen Playsets in 2019 Reviews—AllTopTenBest, website 2019, <https://www.alltoptenbest.com/toy/best-kitchen-playsets-reviews/>, site visited Dec. 5, 2019.\*

(Continued)

*Primary Examiner* — John R Yeh

(74) *Attorney, Agent, or Firm* — Banner & Witcoff, Ltd.

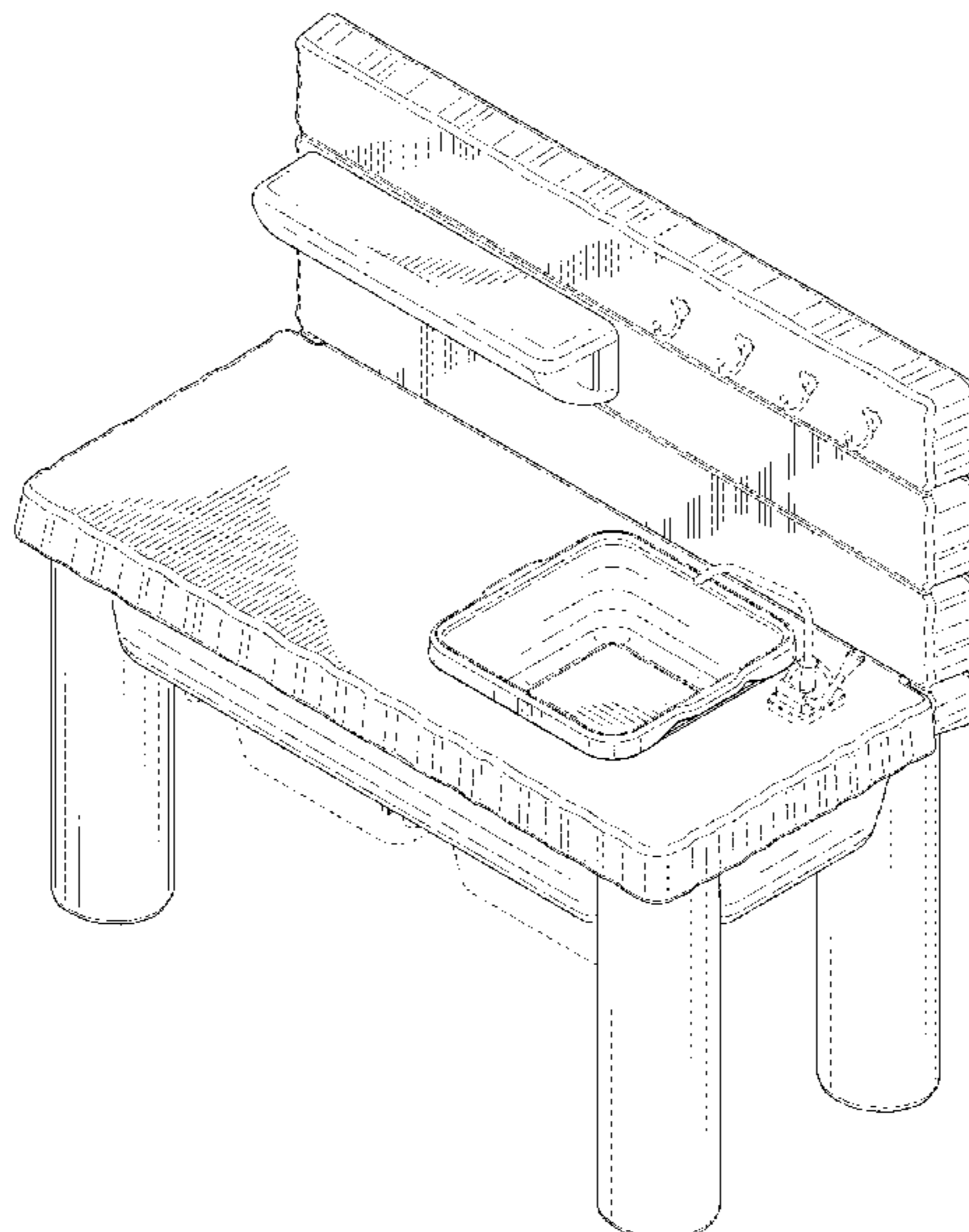
(57) **CLAIM**

The ornamental design for a play kitchen, as shown and described.

**DESCRIPTION**

FIG. 1 is a top, front, right perspective view of a play kitchen showing my new design;  
FIG. 2 is a front view thereof;  
FIG. 3 is a right view thereof;  
FIG. 4 is a left view thereof; and,  
FIG. 5 is a top view thereof.  
The broken lines depict portions of the play kitchen that form no part of the claimed design.

**1 Claim, 5 Drawing Sheets**



(56)

**References Cited**

U.S. PATENT DOCUMENTS

2003/0153238 A1\* 8/2003 Chan ..... A63H 33/3055  
446/175

OTHER PUBLICATIONS

Pump & Play Mud Kitchen at Lakeshore Learning, website reviews 2018, <https://www.lakeshorelearning.com/products/sand-water/sand-water-tables/pump-play-mud-kitchen/p/LC737#IIRreviews>, site visited Dec. 5, 2019.\*

“Outer Spaces Wooden Mud Kitchen”; School Outfitters; retrieved Feb. 4, 2019; disclosure date unknown but prior to the filing date of the present application; URL: <[https://www.schooloutfitters.com/catalog/product\\_info/pfam\\_id/PFAM62018/products\\_id/PRO76404?sc\\_cid=Google\\_SPG-KEE6022&adtype=pla&kw=&CAWELAID=320012570000055461&CAGPSPN=pla&CAAGID=60711167222&CATCI=pla-583296910016&gclid=Cj0KCQiAurjgBRCqARIsAD09sg-](https://www.schooloutfitters.com/catalog/product_info/pfam_id/PFAM62018/products_id/PRO76404?sc_cid=Google_SPG-KEE6022&adtype=pla&kw=&CAWELAID=320012570000055461&CAGPSPN=pla&CAAGID=60711167222&CATCI=pla-583296910016&gclid=Cj0KCQiAurjgBRCqARIsAD09sg-)>.

“Outdoor Mud Kitchen with Pump”; Kaplan; retrieved Feb. 4, 2019; disclosure date unknown but prior to the filing date of the present application; URL: <<https://www.kaplanco.com/product/32334/outdoor-mud-kitchen-with-pump>>.

“Mud Kitchen”; Discount School Supply; retrieved Feb. 4, 2019; disclosure date unknown but prior to the filing date of the present application; URL: <<https://www.discountsschoolsupply.com/Product/ProductDetail.aspx?product=37322&Category=>>>.

“Outlast Junior Sink”; Community Playthings; retrieved Feb. 4, 2019; disclosure date unknown but prior to the filing date of the present application; URL: <<https://www.communityplaythings.com/products/outdoor/outlast-junior-sink-18>>.

\* cited by examiner

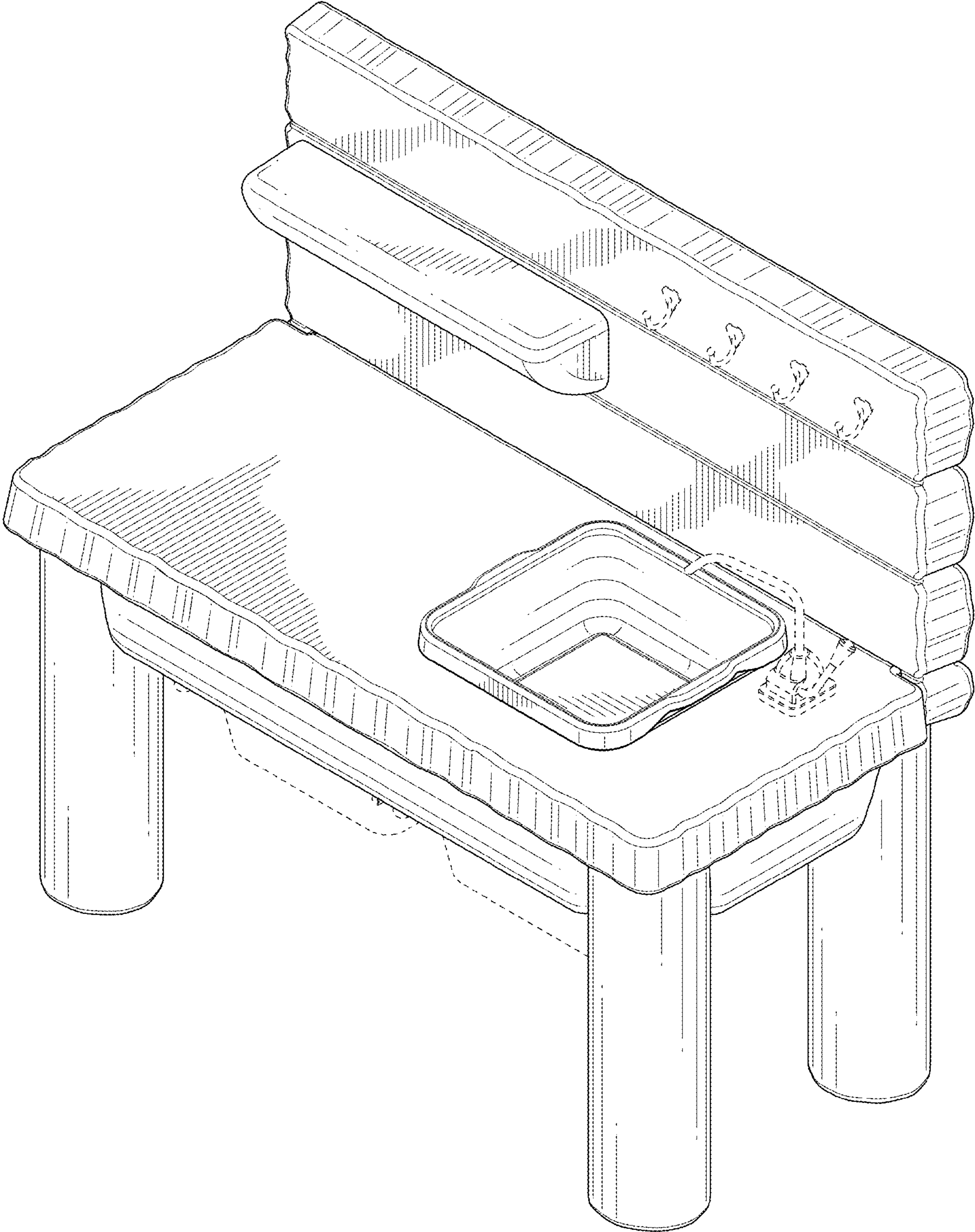


FIG. 1

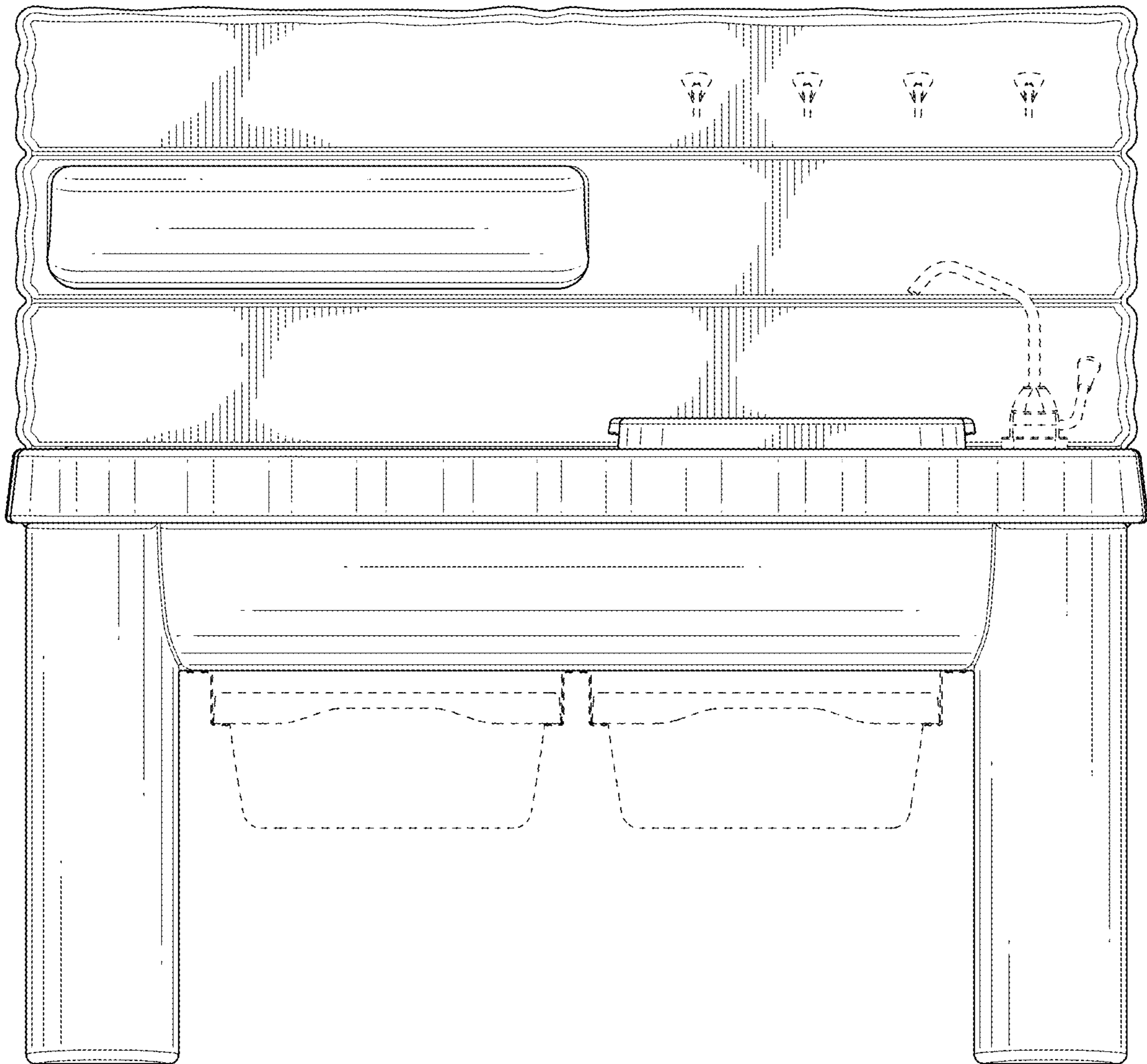


FIG. 2

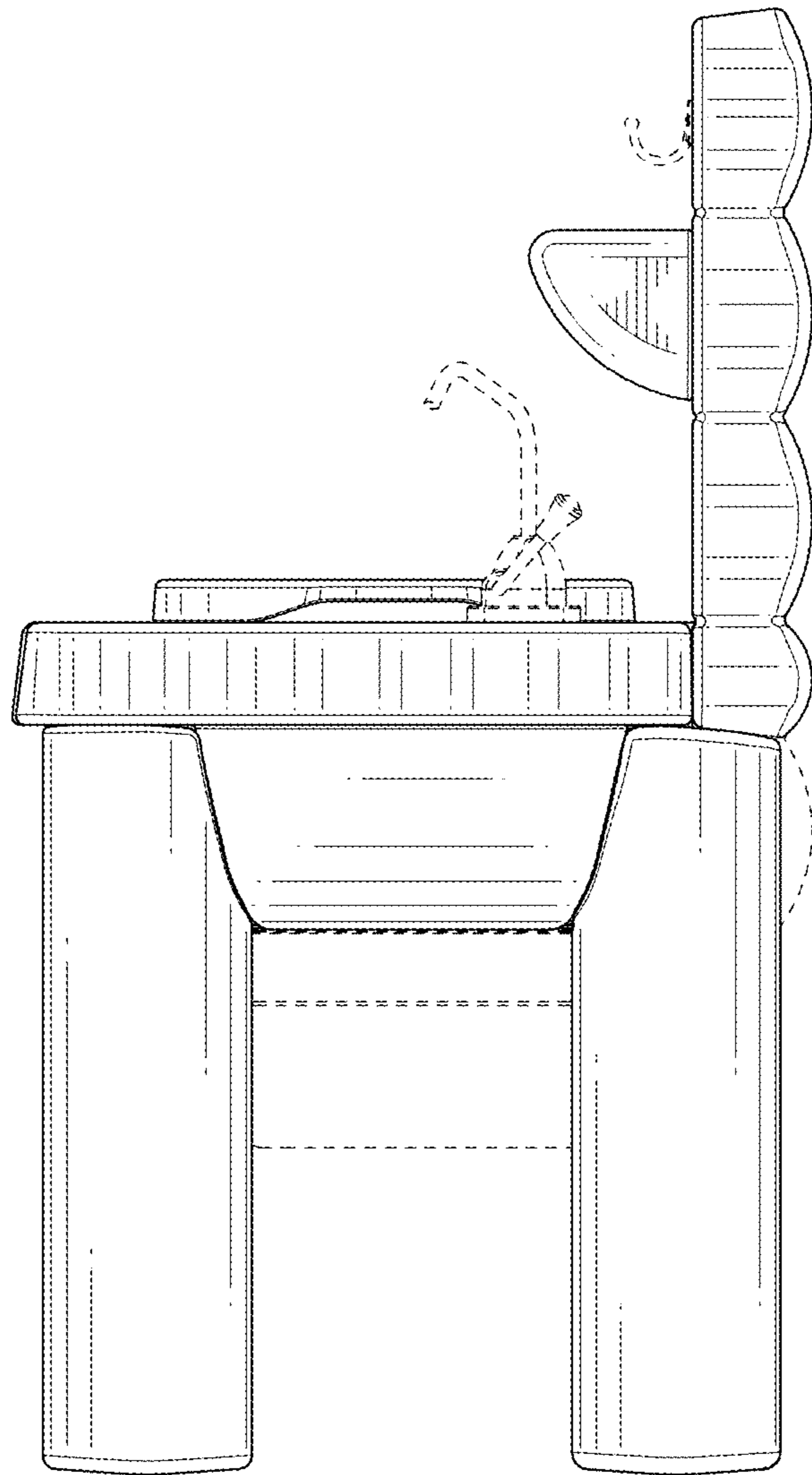


FIG. 3

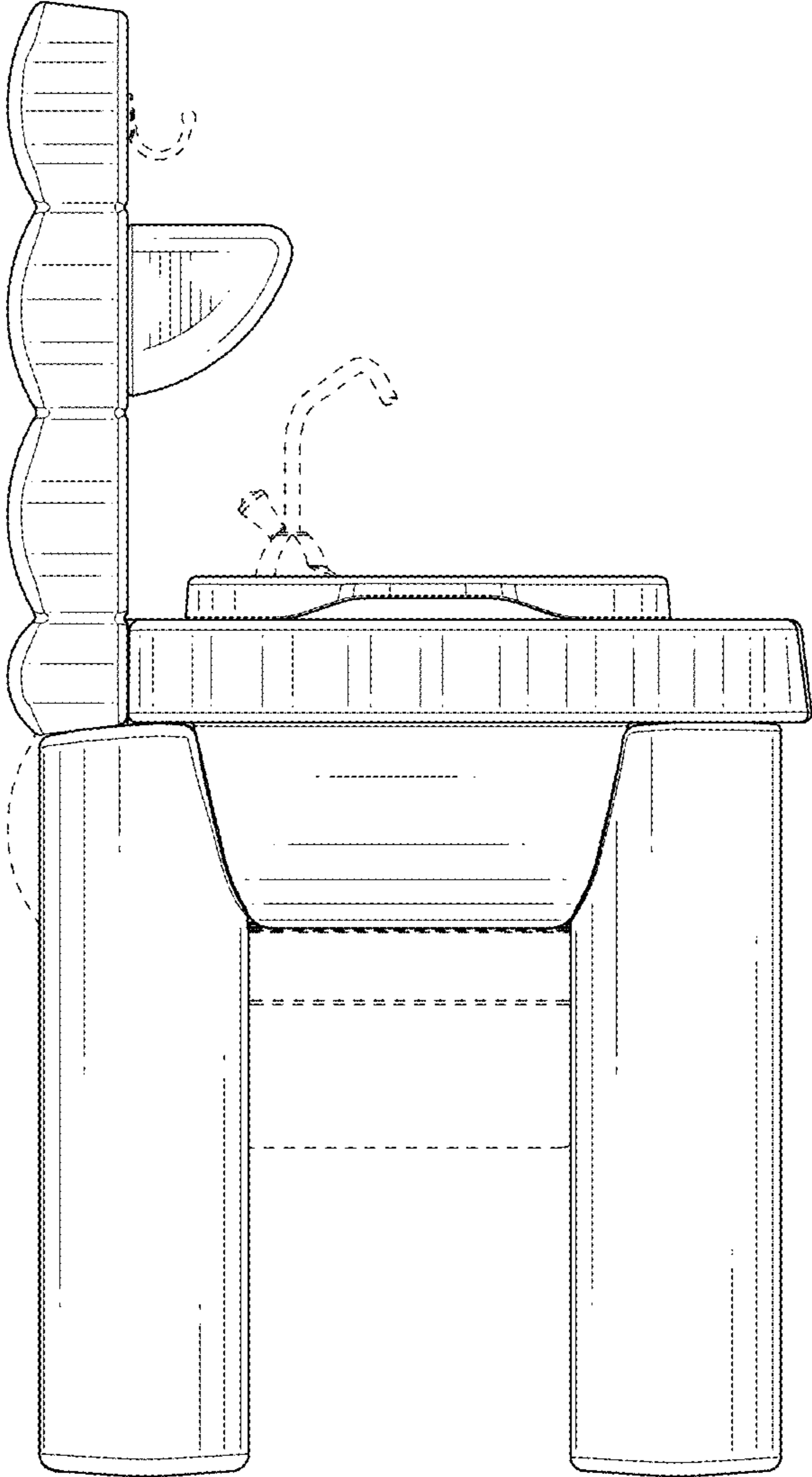


FIG.4

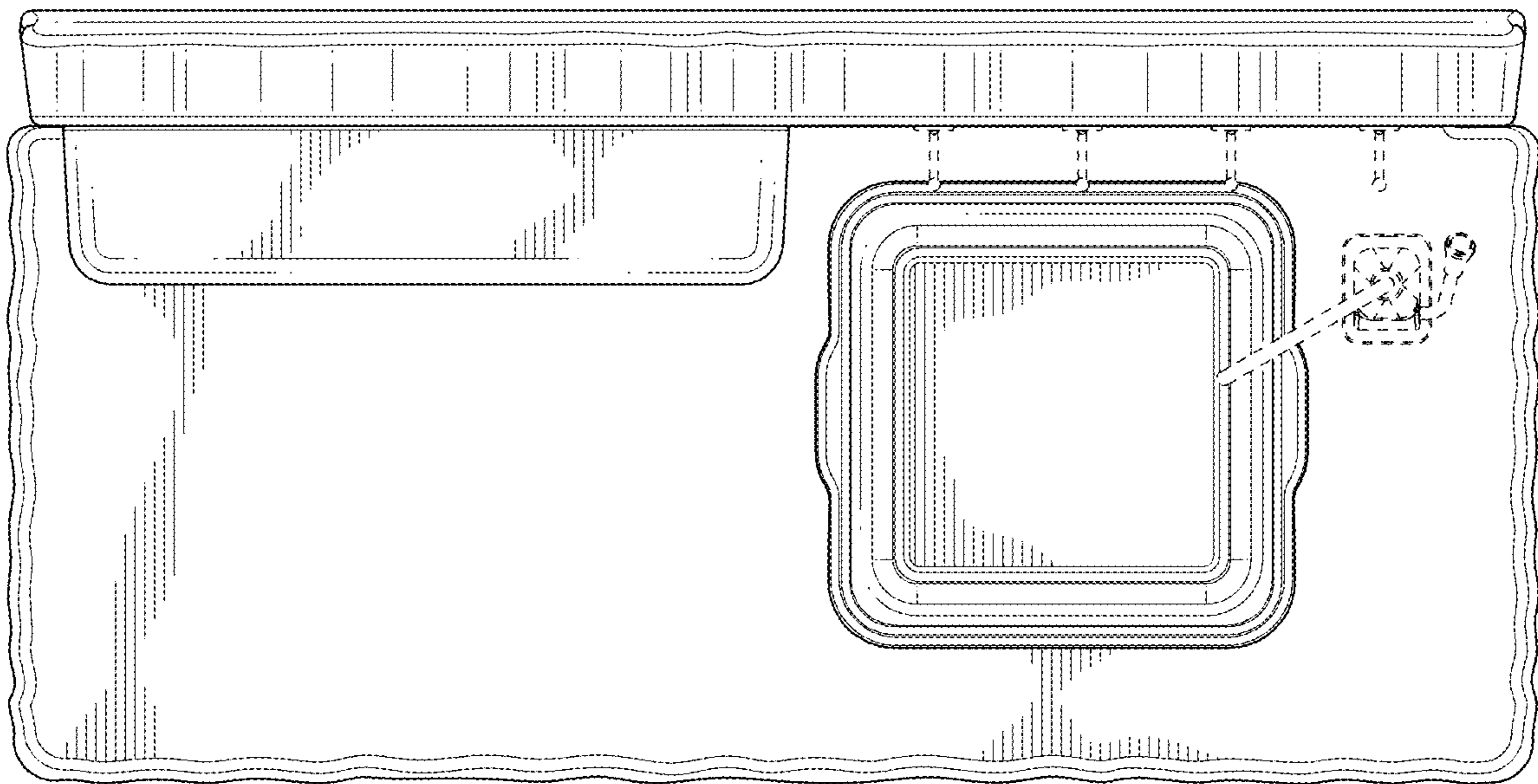


FIG. 5