



US00D902323S

(12) **United States Design Patent**
Park et al.

(10) **Patent No.:** **US D902,323 S**

(45) **Date of Patent:** **** Nov. 17, 2020**

(54) **TOY BLOCK**

(71) Applicant: **GYMWORLD INC.**, Seoul (KR)

(72) Inventors: **Kee Young Park**, Seoul (KR); **Gyu Jin Seo**, Seoul (KR); **Ju Seong Lee**, Osan-si (KR); **Chang Moon Lee**, Gwangmyeong-si (KR); **Ki Ho Lee**, Hwaseong-si (KR); **Yoon Su Cha**, Suwon-si (KR); **Na Young Go**, Seongnam-si (KR); **So Lee Kang**, Seoul (KR); **Jo Un Yi**, Seoul (KR)

(73) Assignee: **GYMWORLD INC.**, Seoul (KR)

(**) Term: **15 Years**

(21) Appl. No.: **29/694,975**

(22) Filed: **Jun. 14, 2019**

(30) **Foreign Application Priority Data**

Jan. 29, 2019 (KR) 30-2019-0004543

(51) **LOC (12) Cl.** **21-01**

(52) **U.S. Cl.**
USPC **D21/503**; D21/496

(58) **Field of Classification Search**
USPC D21/398, 468, 471, 475, 479, 483, 484,
D21/493, 494, 496, 498, 503, 658;
D11/14, 81, 99, 125, 133, 157; D30/160
CPC A63H 33/04; A63H 33/046; A63H 33/06;
A63H 33/062
See application file for complete search history.

(56) **References Cited**

U.S. PATENT DOCUMENTS

D411,590 S * 6/1999 Blæsild D21/486
6,146,233 A * 11/2000 Hedeem, Jr. A63H 1/04
446/261

D468,783 S * 1/2003 Manville D21/658
D508,217 S * 8/2005 Graves D11/81
D563,492 S * 3/2008 Becker D21/398
D599,416 S * 9/2009 Turco-Rivas D21/471
D835,210 S * 12/2018 Eshet D21/484
D838,785 S * 1/2019 Wonner D21/505
D887,499 S * 6/2020 Manovi D21/493

* cited by examiner

Primary Examiner — Cynthia M. Chin

(74) *Attorney, Agent, or Firm* — Korus Patent, LLC;
Seong Il Jeong

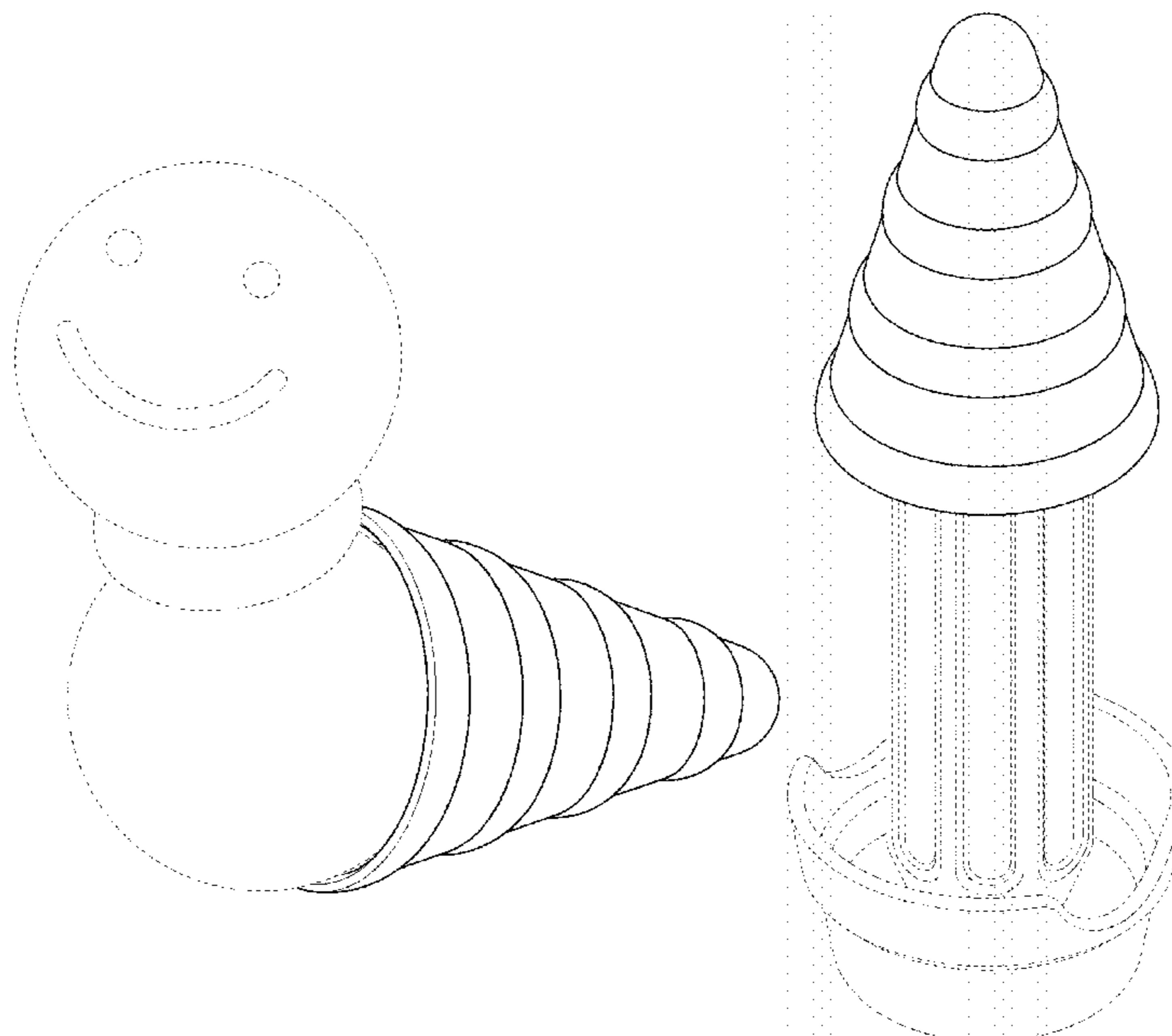
(57) **CLAIM**

The ornamental design for a toy block, as shown and described.

DESCRIPTION

FIG. 1 is a front perspective view of a toy block according to the present design;
FIG. 2 is a front elevation view thereof;
FIG. 3 is a rear elevation view thereof;
FIG. 4 is a left side view thereof;
FIG. 5 is a right side view thereof;
FIG. 6 is a top plan view thereof;
FIG. 7 is a bottom plan view thereof;
FIG. 8 is a first perspective view illustrating use thereof; and,
FIG. 9 is a second perspective view illustrating use thereof.
The broken line showing of parts in FIGS. 8 and 9 is included for the purpose of illustrating use and environment and forms no part of the claimed design.

1 Claim, 9 Drawing Sheets



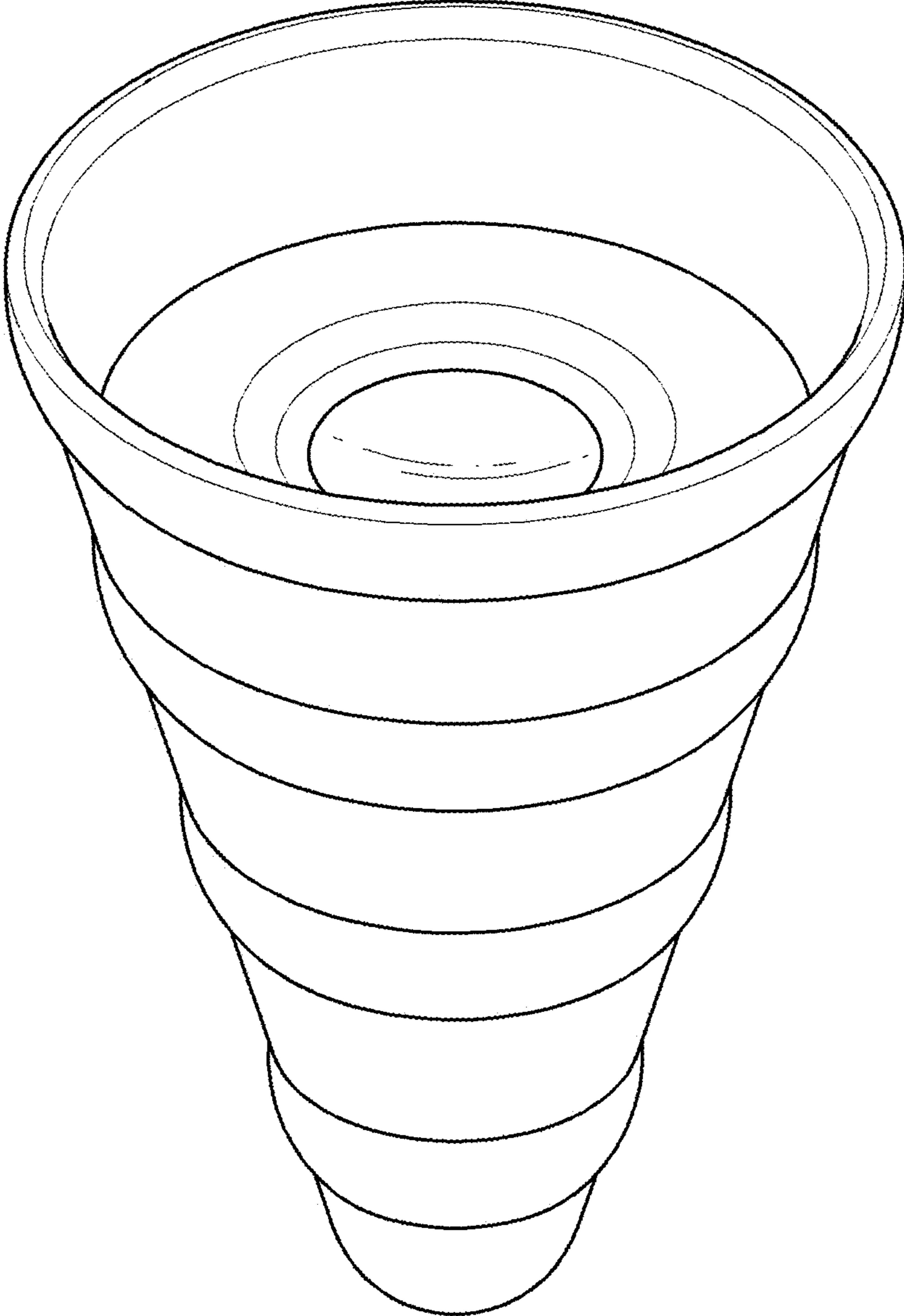


FIG. 1

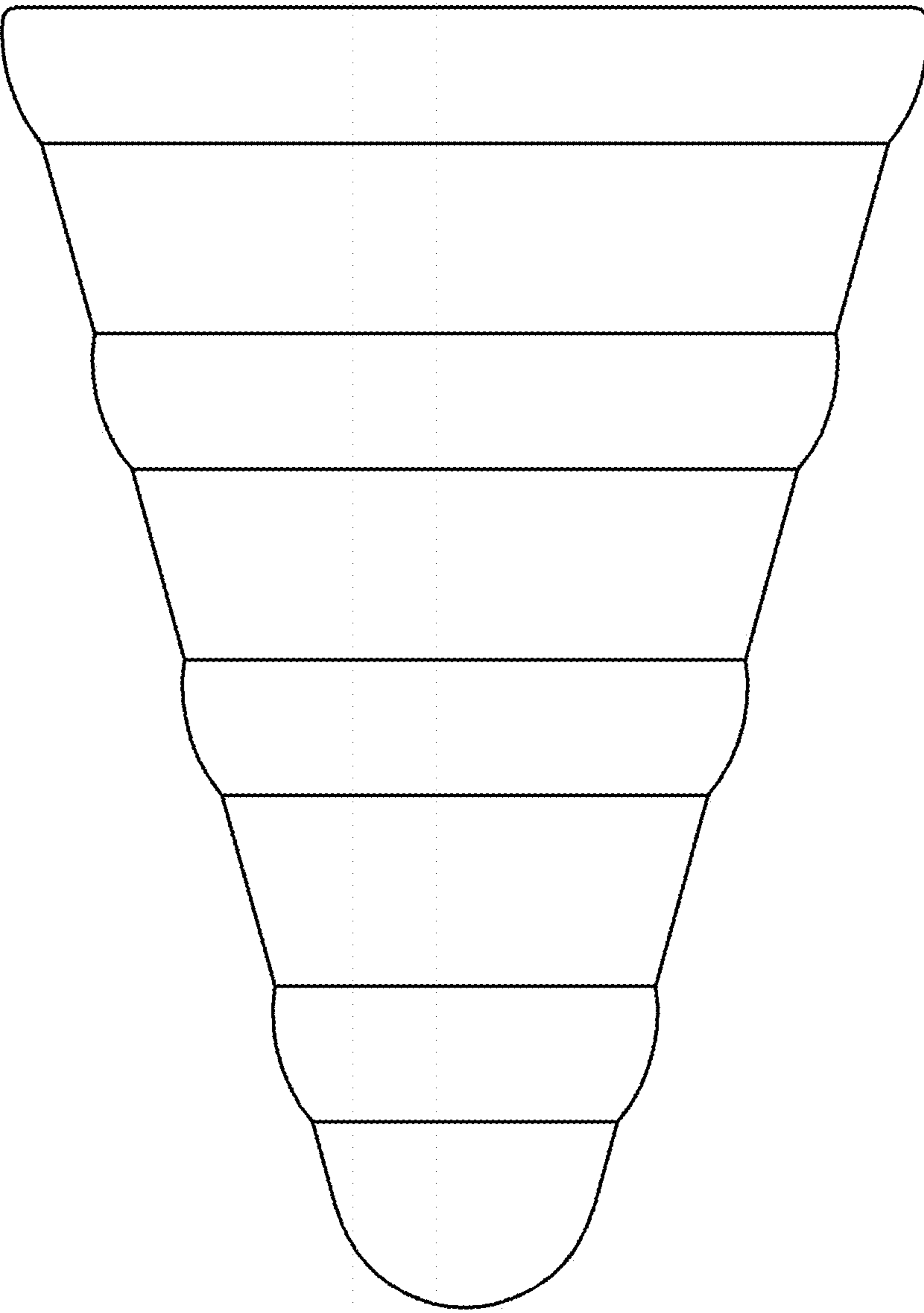


FIG. 2

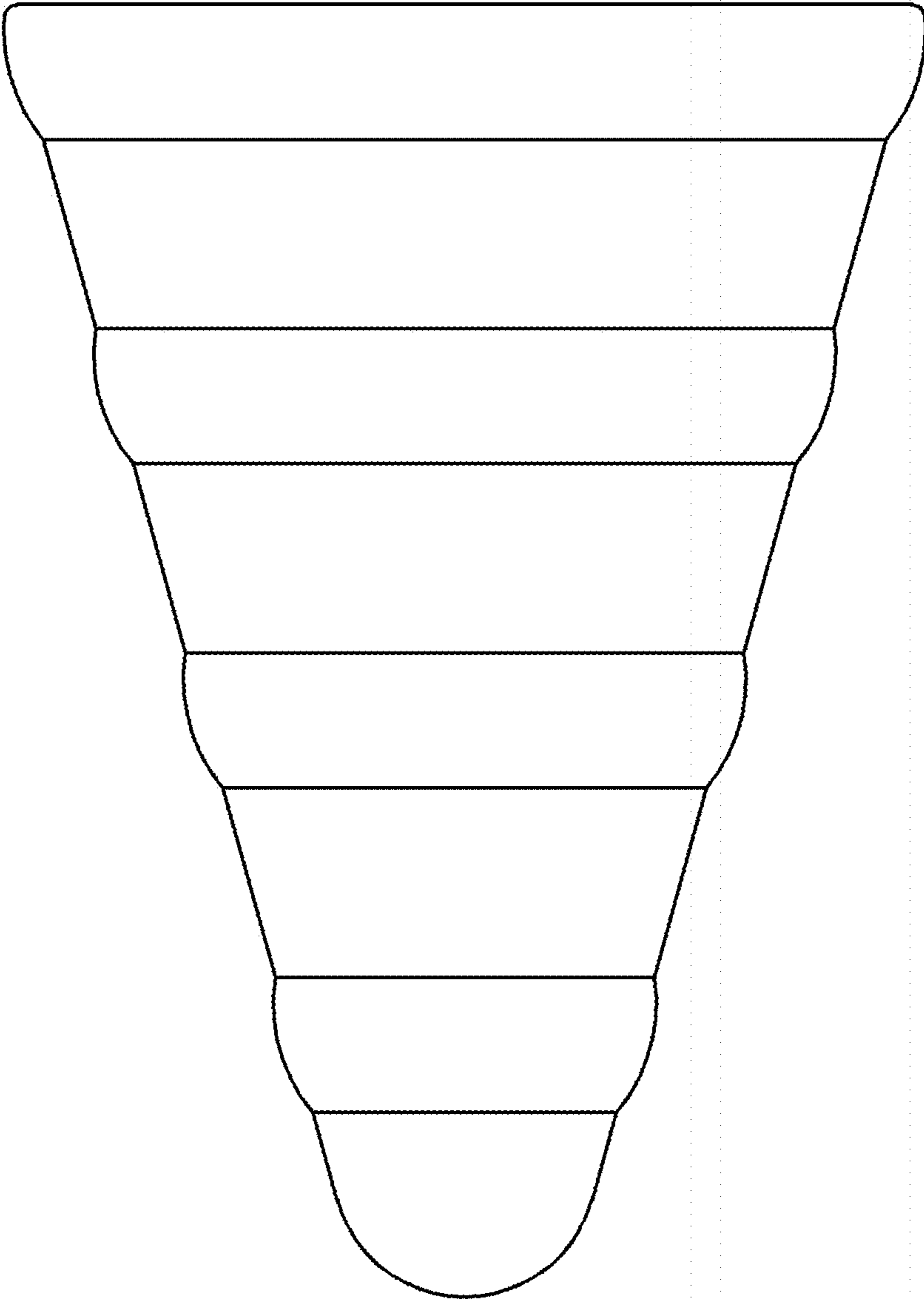


FIG. 3

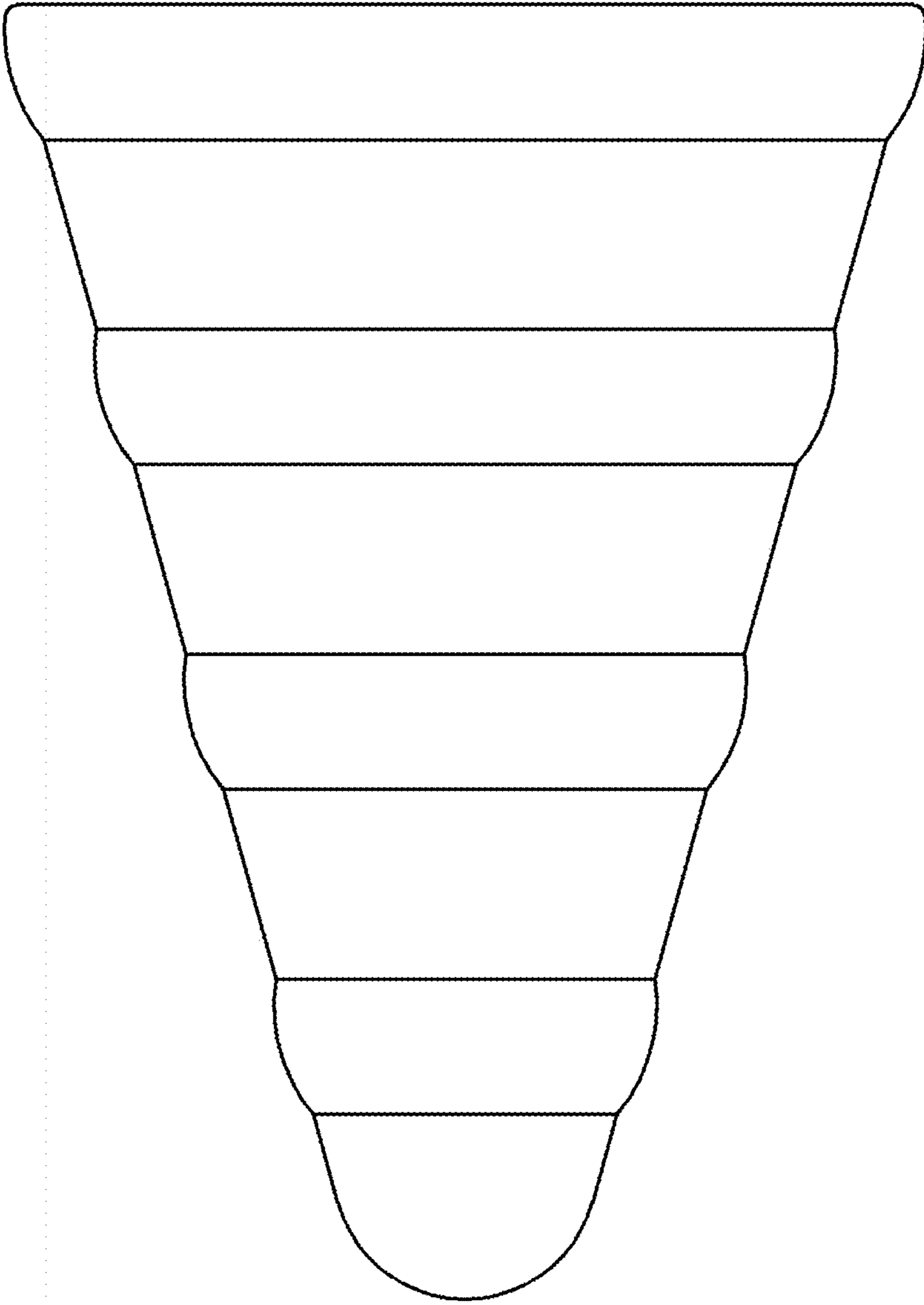


FIG. 4

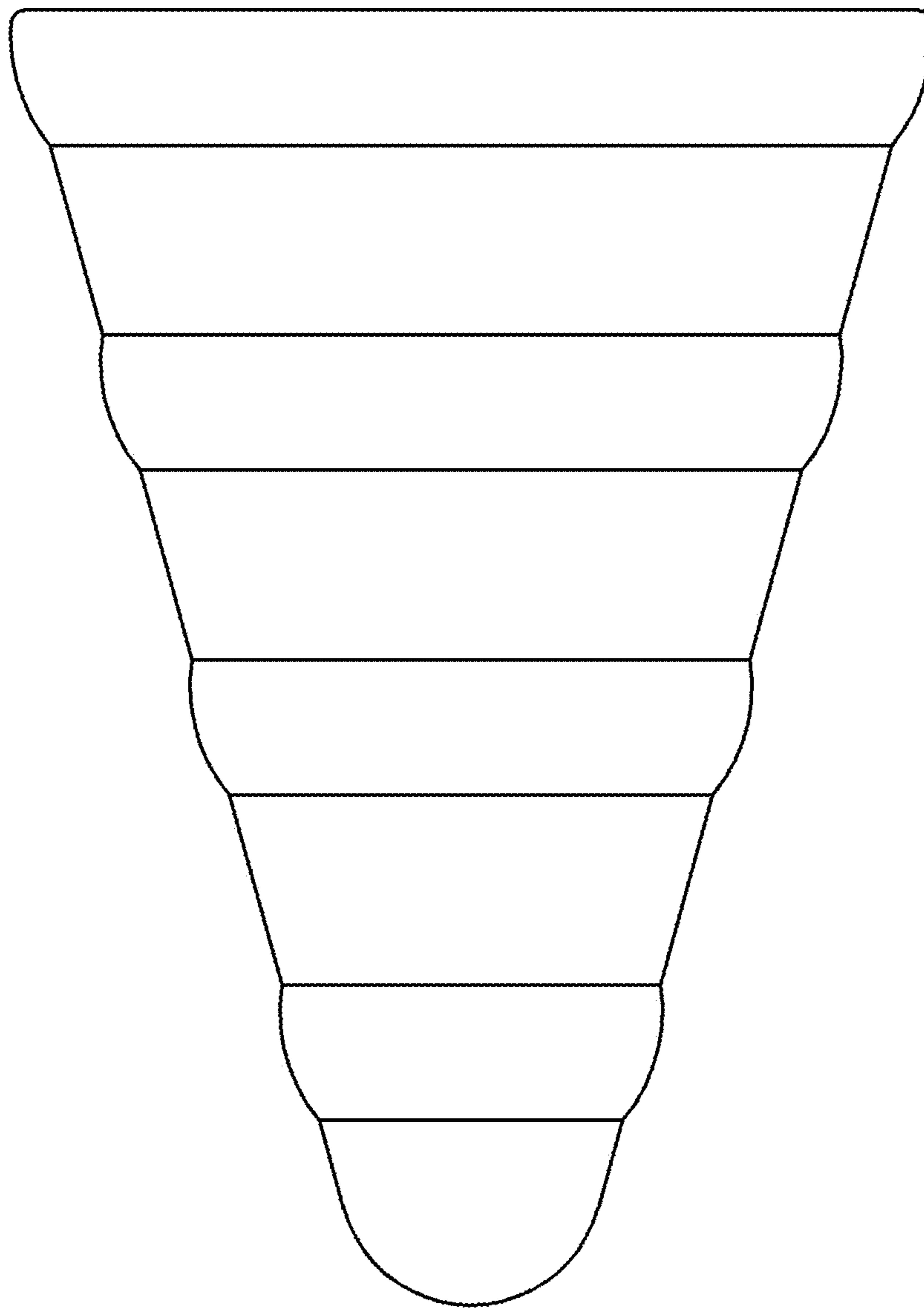


FIG. 5

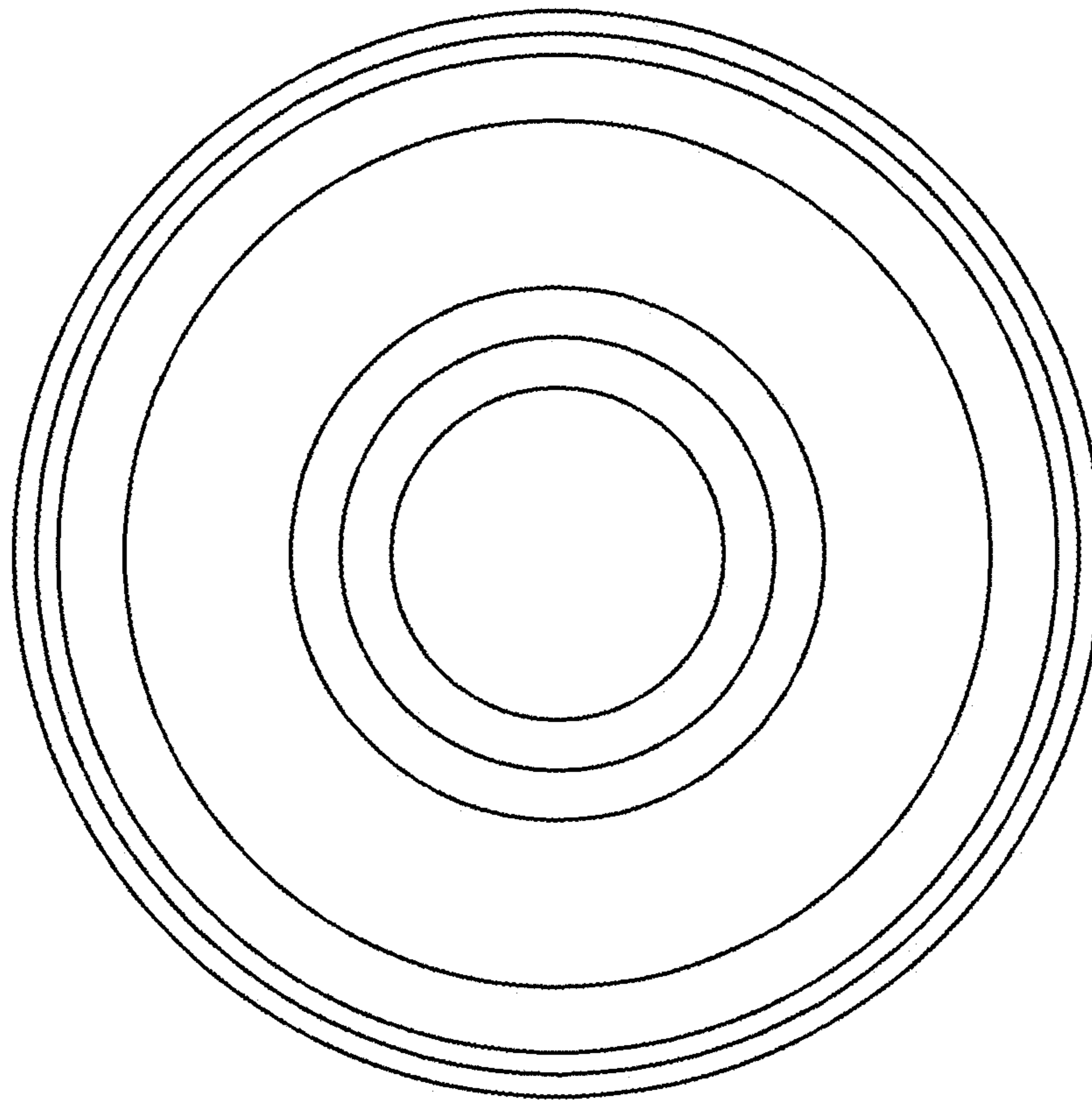


FIG. 6

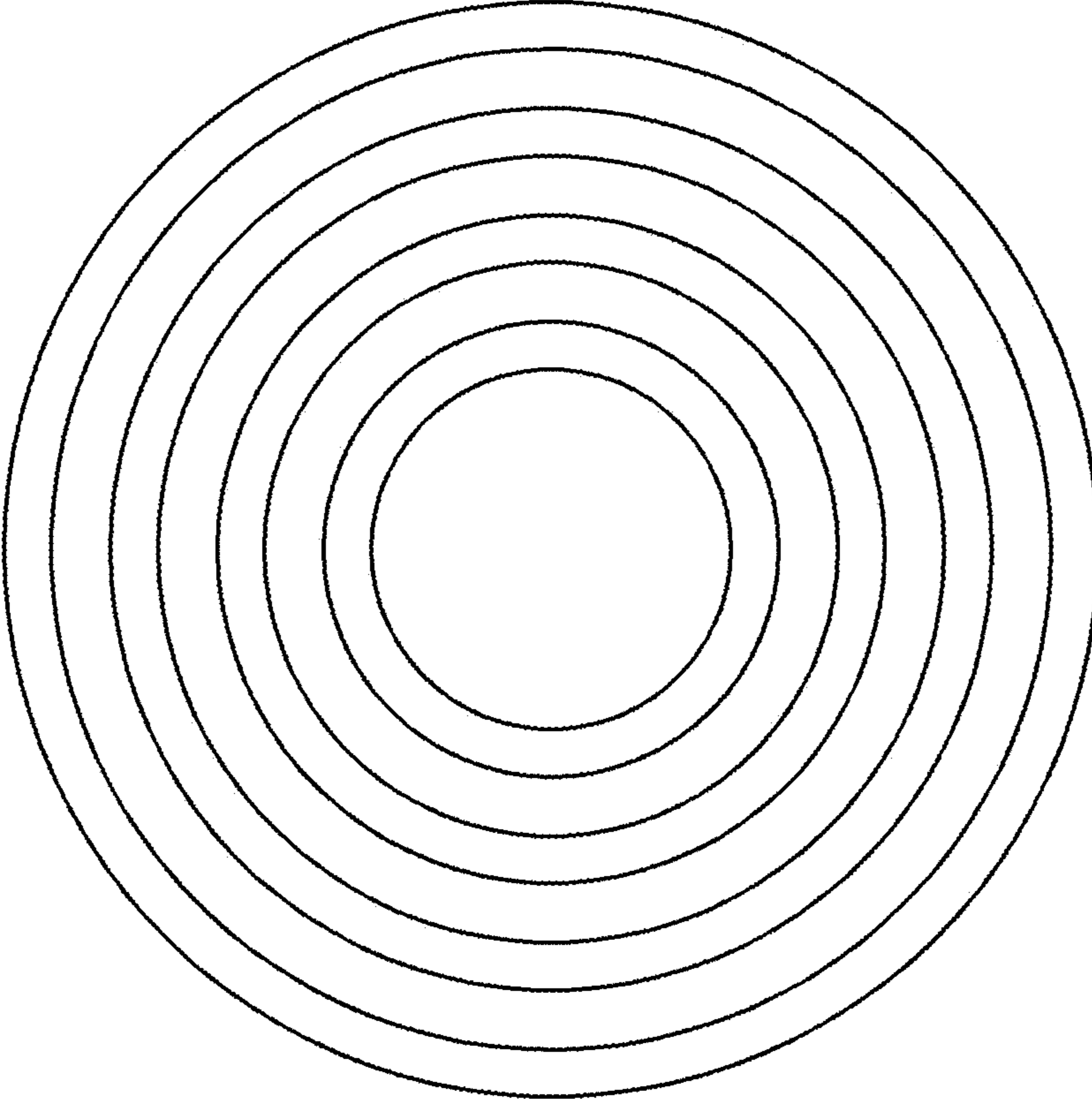


FIG. 7

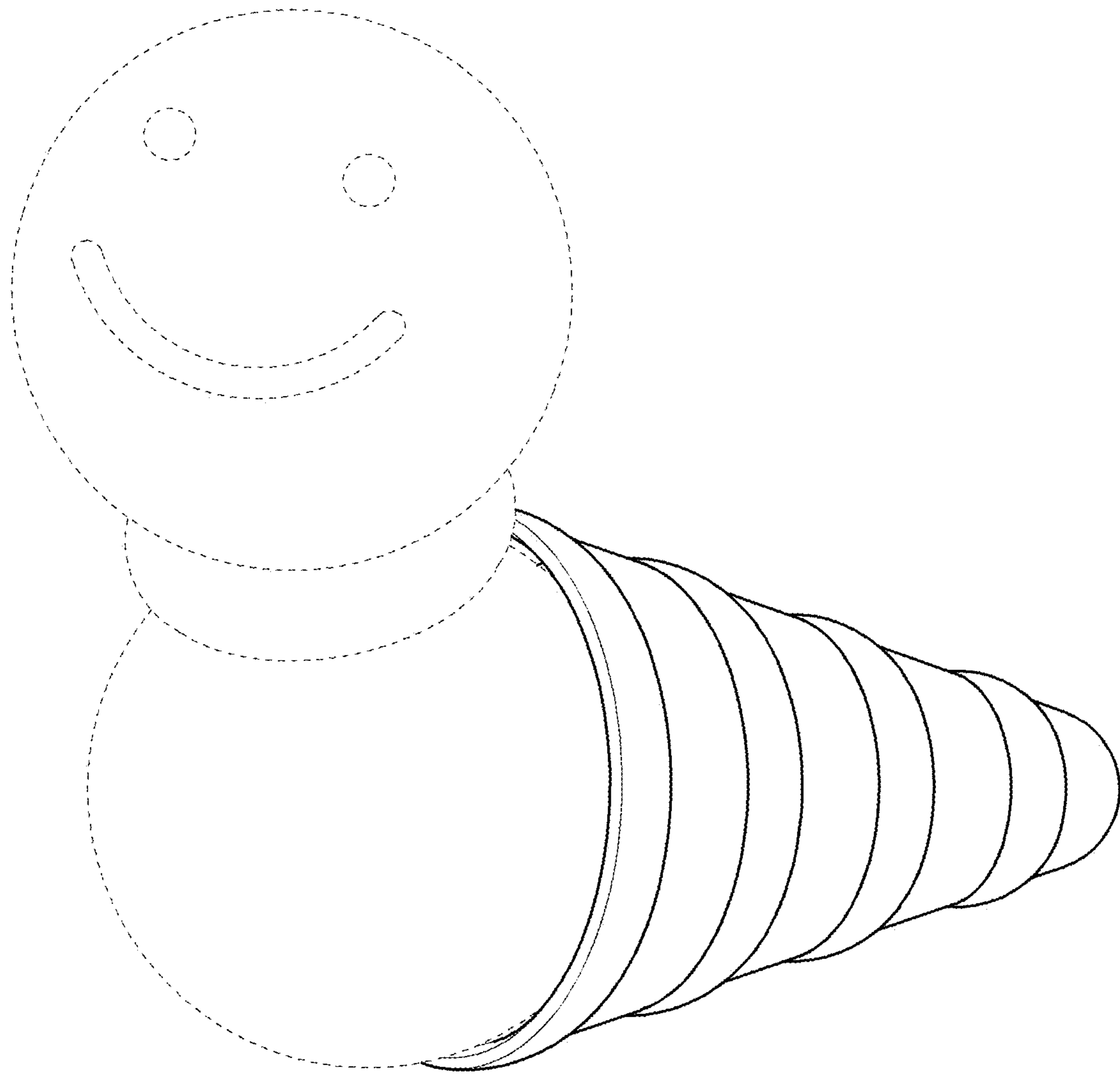


FIG. 8

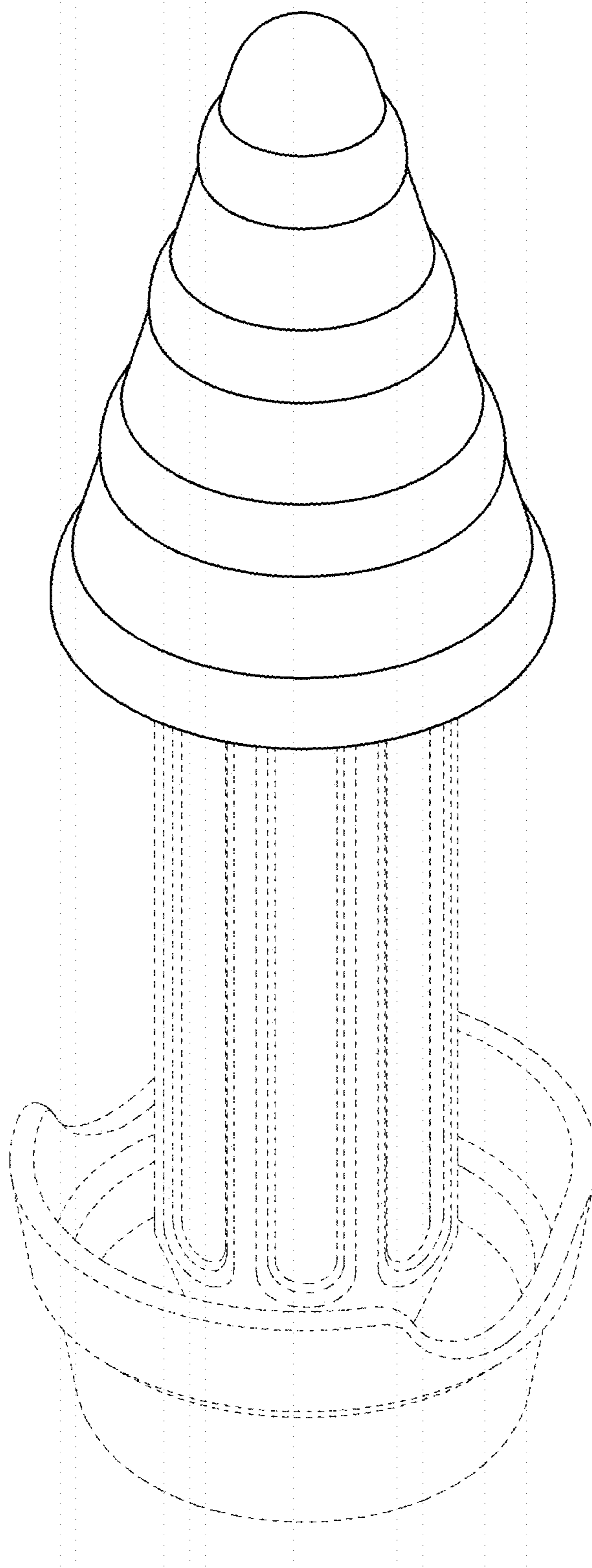


FIG. 9