



US00D902319S

(12) **United States Design Patent** (10) **Patent No.:** **US D902,319 S**
Hohman (45) **Date of Patent:** **** Nov. 17, 2020**

(54) **COMMUNITY DISPLAY FOR GAMING MACHINES**

(71) Applicant: **AGS LLC**, Las Vegas, NV (US)

(72) Inventor: **Kevin Lee Hohman**, North Las Vegas, NV (US)

(73) Assignee: **AGS LLC**, Las Vegas, NV (US)

(**) Term: **15 Years**

(21) Appl. No.: **29/618,325**

(22) Filed: **Sep. 20, 2017**

(51) **LOC (12) Cl.** **21-03**

(52) **U.S. Cl.**
USPC **D21/369**

(58) **Field of Classification Search**
USPC D21/369, 370, 371, 385, 329, 325, 394;
D14/307, 172, 129, 325, 401, 371, 126,
D14/439, 432, 450, 128, 375, 248, 374,
D14/341, 138 G, 127; 463/28, 13, 11,
463/16, 20, 25, 31, 46, 23, 30, 17, 36, 29,
463/42, 34, 32, 35, 19, 21, 22; 273/292,
273/203, 138.2, 143 R, 142 R, 138.1;
D19/60; D16/226; D8/335, 331, 334;
D26/141; D7/641
CPC G07F 17/32; G07F 17/34; G07F 17/3211;
G07F 17/3244; G07F 17/3267
See application file for complete search history.

(56) **References Cited**

U.S. PATENT DOCUMENTS

D271,200 S * 11/1983 Kawasaki D3/271.1
D275,117 S * 8/1984 Heywood D21/370
5,823,874 A * 10/1998 Adams G07F 17/32
463/17
D428,864 S * 8/2000 Rooyackers D14/306
D443,313 S * 6/2001 Brettschneider D21/325
D481,078 S * 10/2003 Stephan D21/369
D492,676 S * 7/2004 Monson D14/306

D508,269 S * 8/2005 Wichinsky D21/325
D508,719 S * 8/2005 de Haas D21/325
D546,893 S * 7/2007 Yamashita D21/325
D557,348 S * 12/2007 Gutknecht D21/370
D586,866 S * 2/2009 Hsu D21/370
D596,678 S * 7/2009 Myers D21/370
D599,859 S * 9/2009 Lesley D21/370
D616,039 S * 5/2010 Bruzzese D21/370

(Continued)

OTHER PUBLICATIONS

Infinity Link, Incredible Technologies, Aug. 11, 2016, 7 pages.

Primary Examiner — Ryan Harvey

(74) *Attorney, Agent, or Firm* — Weide & Miller, Ltd.

(57) **CLAIM**

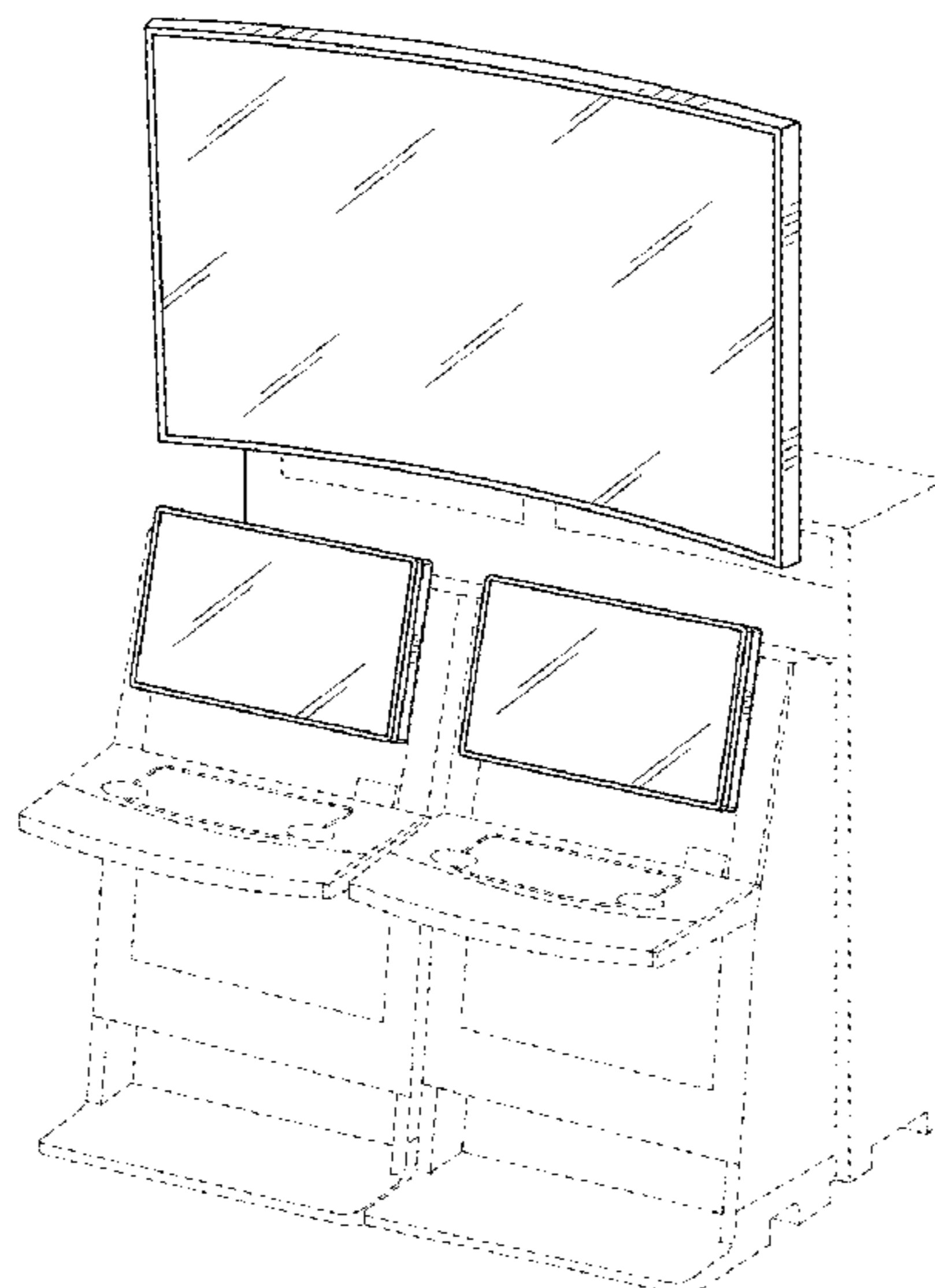
The ornamental design for a community display for gaming machines, as shown and described.

DESCRIPTION

FIG. 1 is a front isometric view of a community display for gaming machines in accordance with the present invention; FIG. 2 is a rear isometric view of the community display for gaming machines illustrated in FIG. 1; FIG. 3 is a top plan view of the community display for gaming machines illustrated in FIG. 1; FIG. 4 is a front elevation view of the community display for gaming machines illustrated in FIG. 1; FIG. 5 is a first side view of the community display for gaming machines illustrated in FIG. 1; FIG. 6 is a rear elevation view of the community display for gaming machines illustrated in FIG. 1; and, FIG. 7 is a second side view of the community display for gaming machines illustrated in FIG. 1.

The broken lines in the figures show features of the gaming machines and additional aspects of the community display for gaming machines for reference only and form no part of the claimed design.

1 Claim, 3 Drawing Sheets



(56)

References Cited

U.S. PATENT DOCUMENTS

D619,177 S * 7/2010 Lee D21/325
 D619,660 S * 7/2010 Cole D21/370
 D626,182 S * 10/2010 Cole D21/369
 D626,183 S * 10/2010 Cole D21/370
 D632,342 S * 2/2011 Wen D21/370
 8,096,554 B1 * 1/2012 Kelly A63F 7/02
 273/138.1
 D673,621 S * 1/2013 Johnson D21/369
 D685,435 S * 7/2013 Hohman D21/370
 D697,558 S * 1/2014 Myers D21/325
 D705,872 S * 5/2014 Ortiz D21/370
 8,753,202 B2 * 6/2014 Apirian G07F 17/34
 463/31
 D708,676 S * 7/2014 Ballman D14/307
 D720,710 S * 1/2015 Aarrestad D14/127
 D721,767 S * 1/2015 Ferrazoli D21/370
 D740,888 S * 10/2015 Depalma D21/370
 D743,363 S * 11/2015 Yokota D14/126
 D752,573 S * 3/2016 Ballman D14/307
 D760,846 S * 7/2016 Castro D21/370
 D776,666 S * 1/2017 Karlsson D14/432
 9,659,434 B2 * 5/2017 Bainbridge G07F 17/3218
 9,679,435 B2 * 6/2017 Schrementi G07F 17/3213
 9,747,754 B2 * 8/2017 Carpenter G07F 17/3286
 D803,323 S * 11/2017 Bussey D21/369

D803,324 S * 11/2017 Bussey D21/370
 D809,068 S * 1/2018 Ballman D21/369
 D809,069 S * 1/2018 Ballman D21/369
 D818,048 S * 5/2018 Calhoun D21/369
 D832,358 S * 10/2018 Castro D21/369
 D833,534 S * 11/2018 Lee D21/369
 D836,164 S * 12/2018 Castro D21/369
 D843,464 S * 3/2019 Castro D21/369
 D843,465 S * 3/2019 Castro D21/369
 D843,466 S * 3/2019 Castro D21/369
 D846,649 S * 4/2019 Schoonmaker D21/369
 10,297,103 B2 * 5/2019 Hornik G07F 17/3213
 10,354,494 B2 * 7/2019 Hartl G07F 17/3267
 2005/0014547 A1 * 1/2005 Gomez G07F 17/3202
 463/16
 2009/0253500 A1 * 10/2009 Nagano G07F 17/3211
 463/30
 2009/0253514 A1 * 10/2009 Nagano G07F 17/32
 463/42
 2010/0124973 A1 * 5/2010 DeWaal G07F 17/3244
 463/20
 2012/0083331 A1 * 4/2012 Carpenter G07F 17/3286
 463/25
 2019/0096169 A1 * 3/2019 Tovar G07F 17/3216
 2019/0102971 A1 * 4/2019 Schoonmaker G07F 17/3211
 2019/0102983 A1 * 4/2019 Gallagher G07F 17/3216
 2019/0287337 A1 * 9/2019 Shiraiishi G07F 17/3244

* cited by examiner

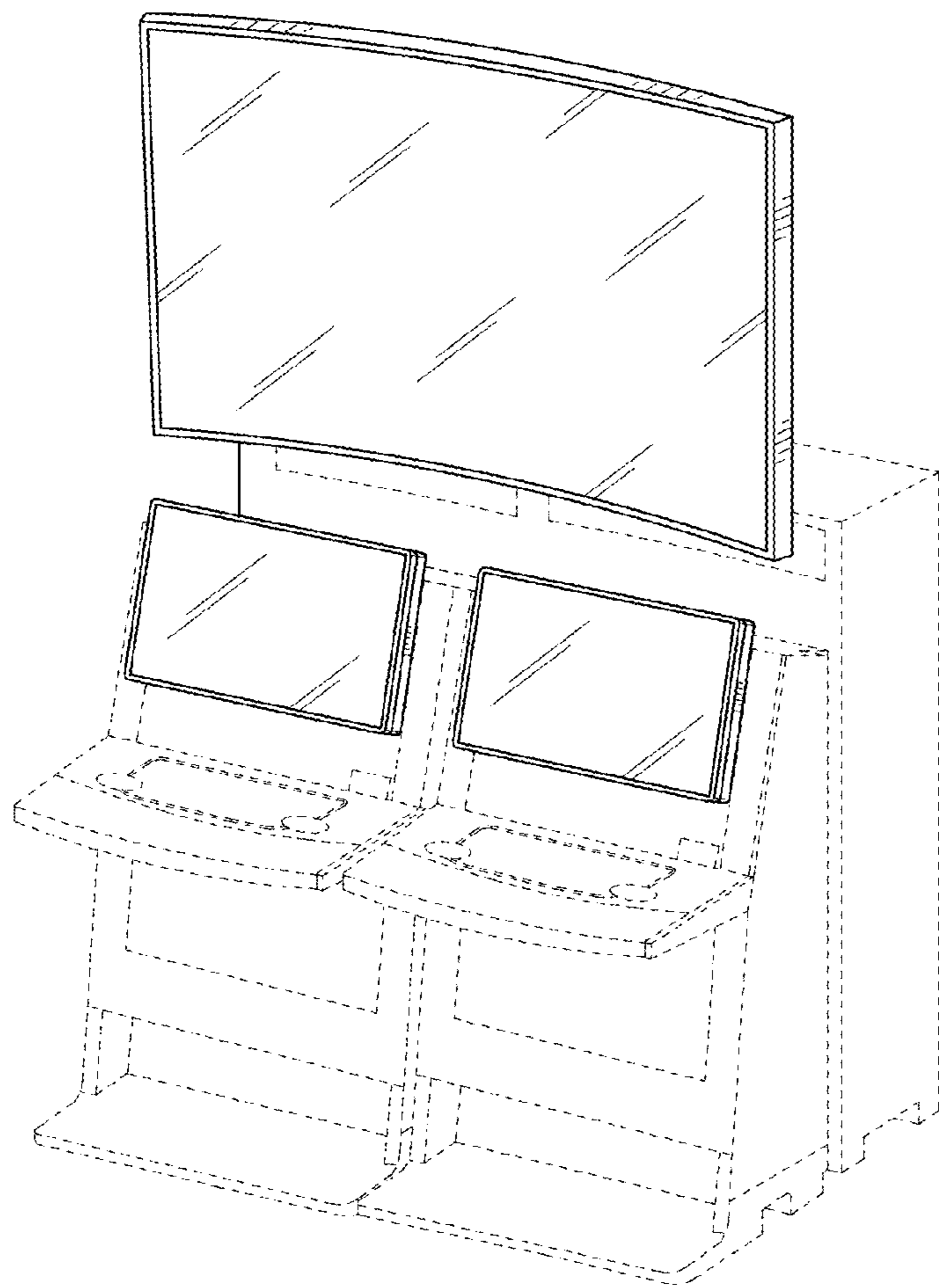


FIG. 1

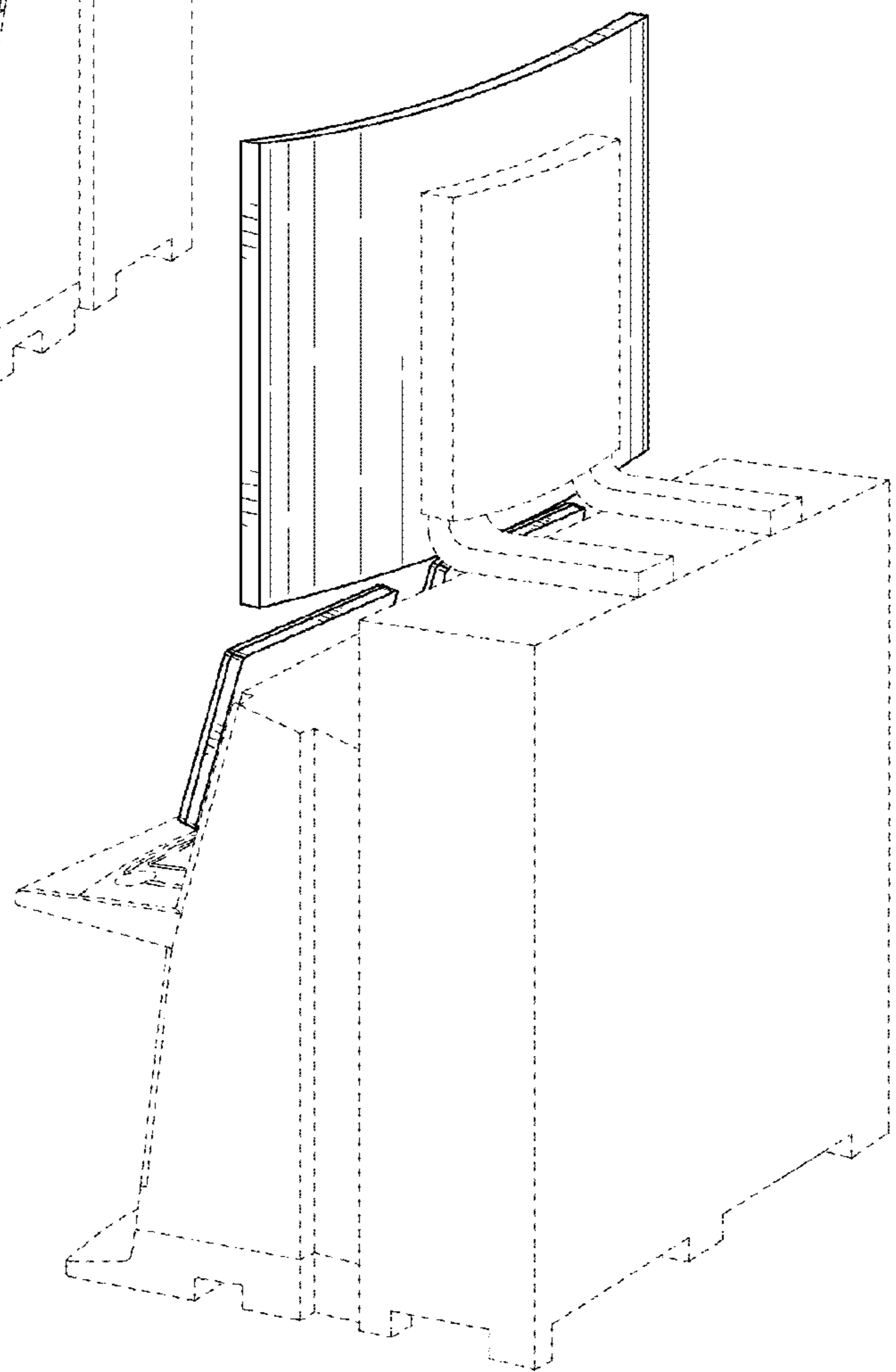


FIG. 2

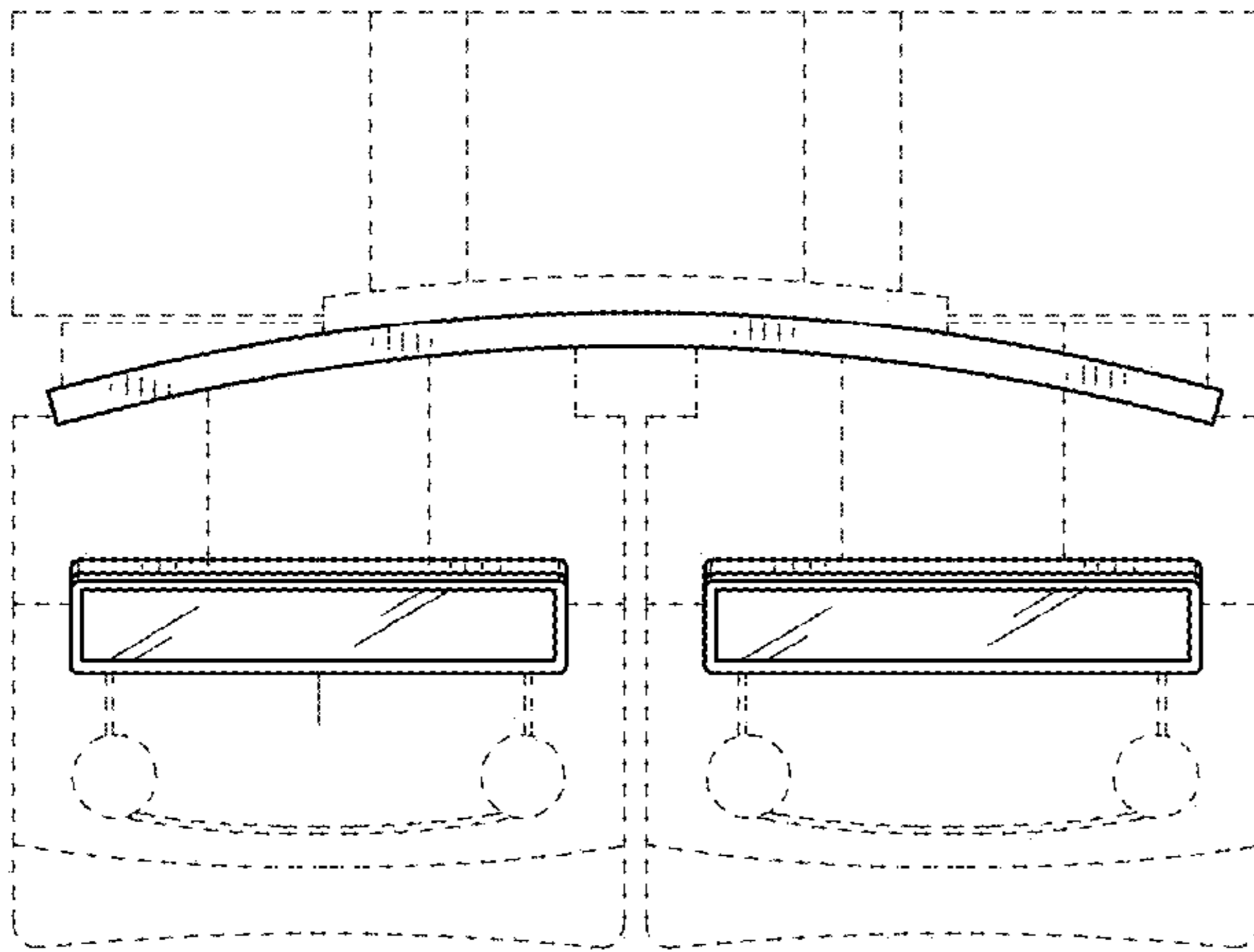


FIG. 3

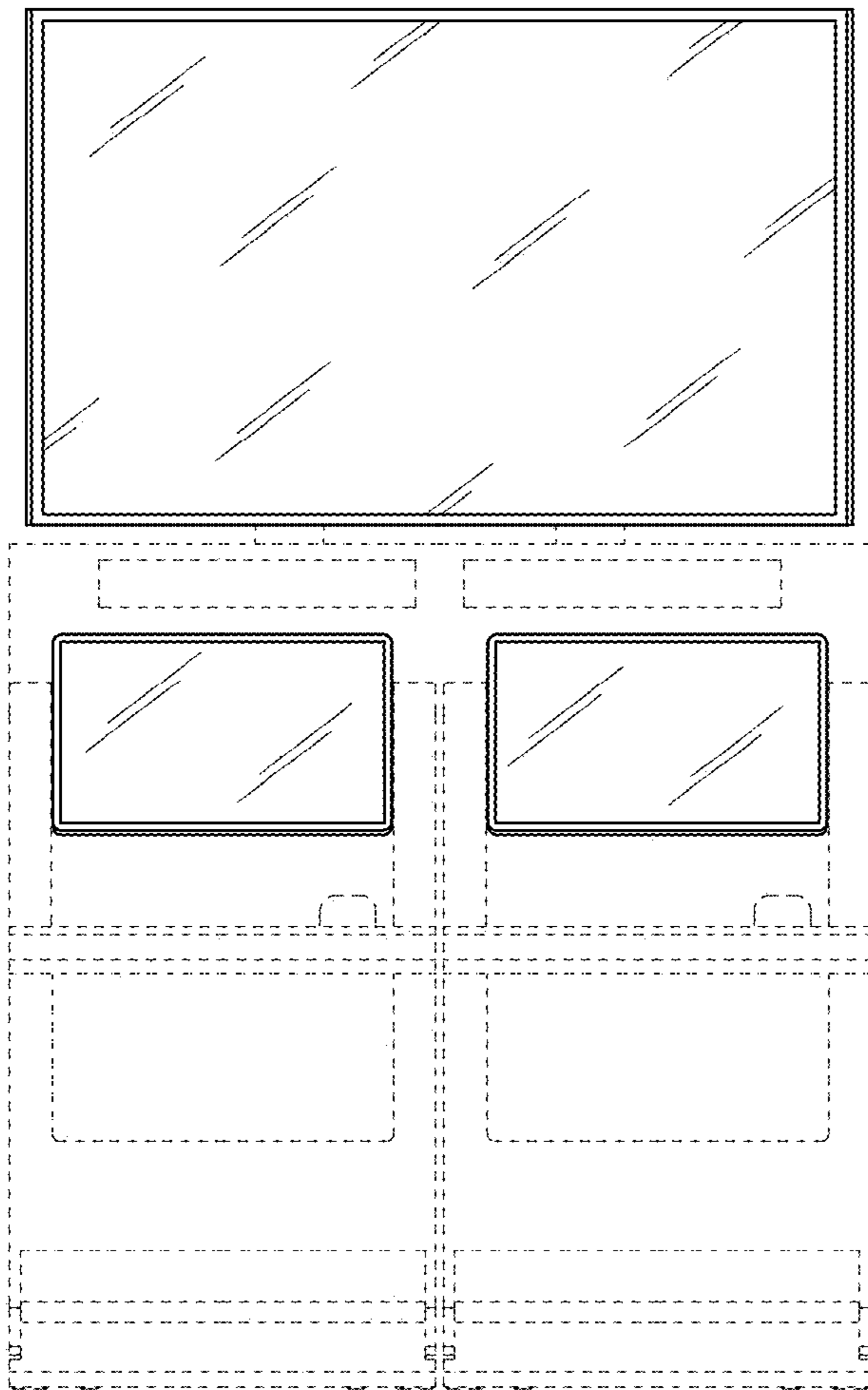


FIG. 4

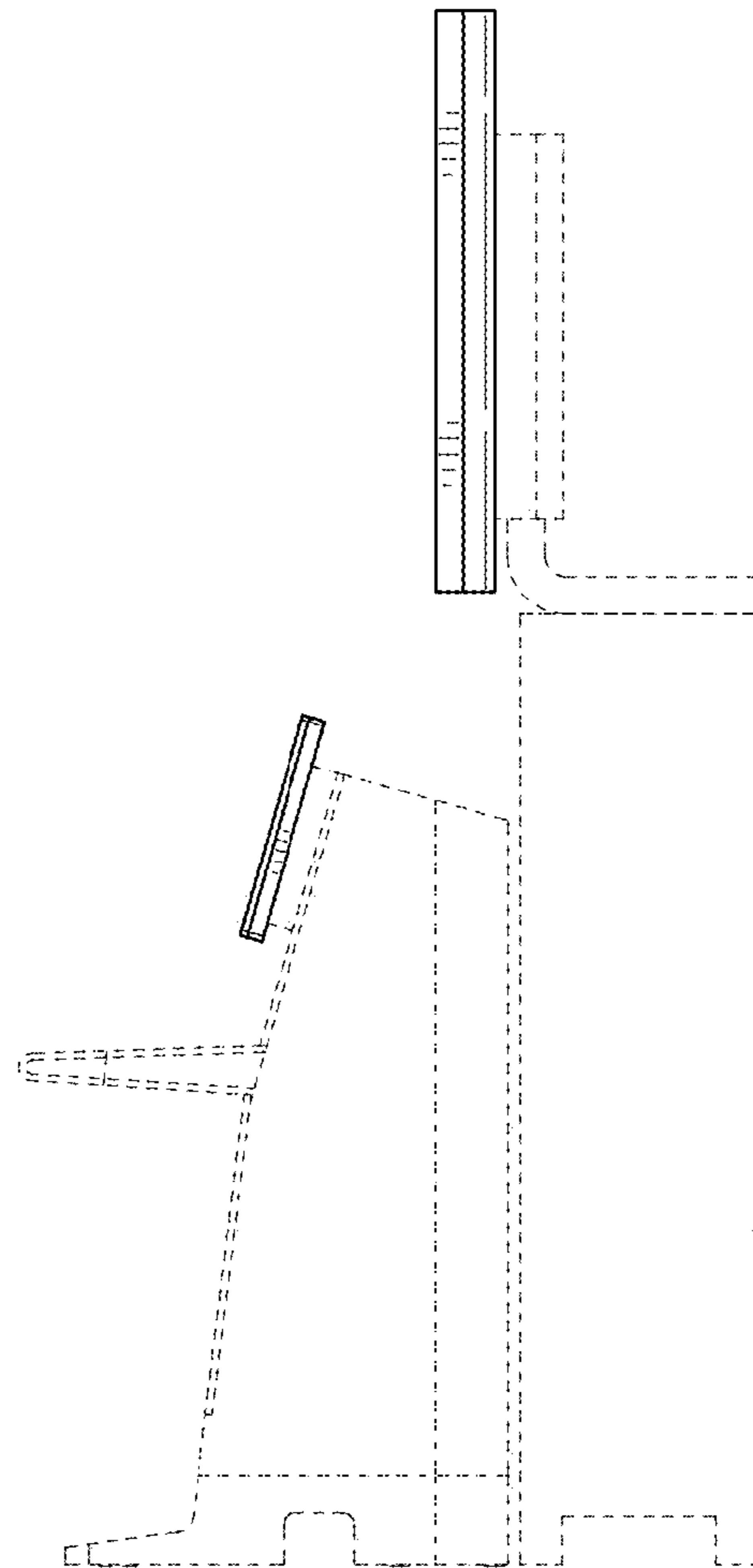


FIG. 5

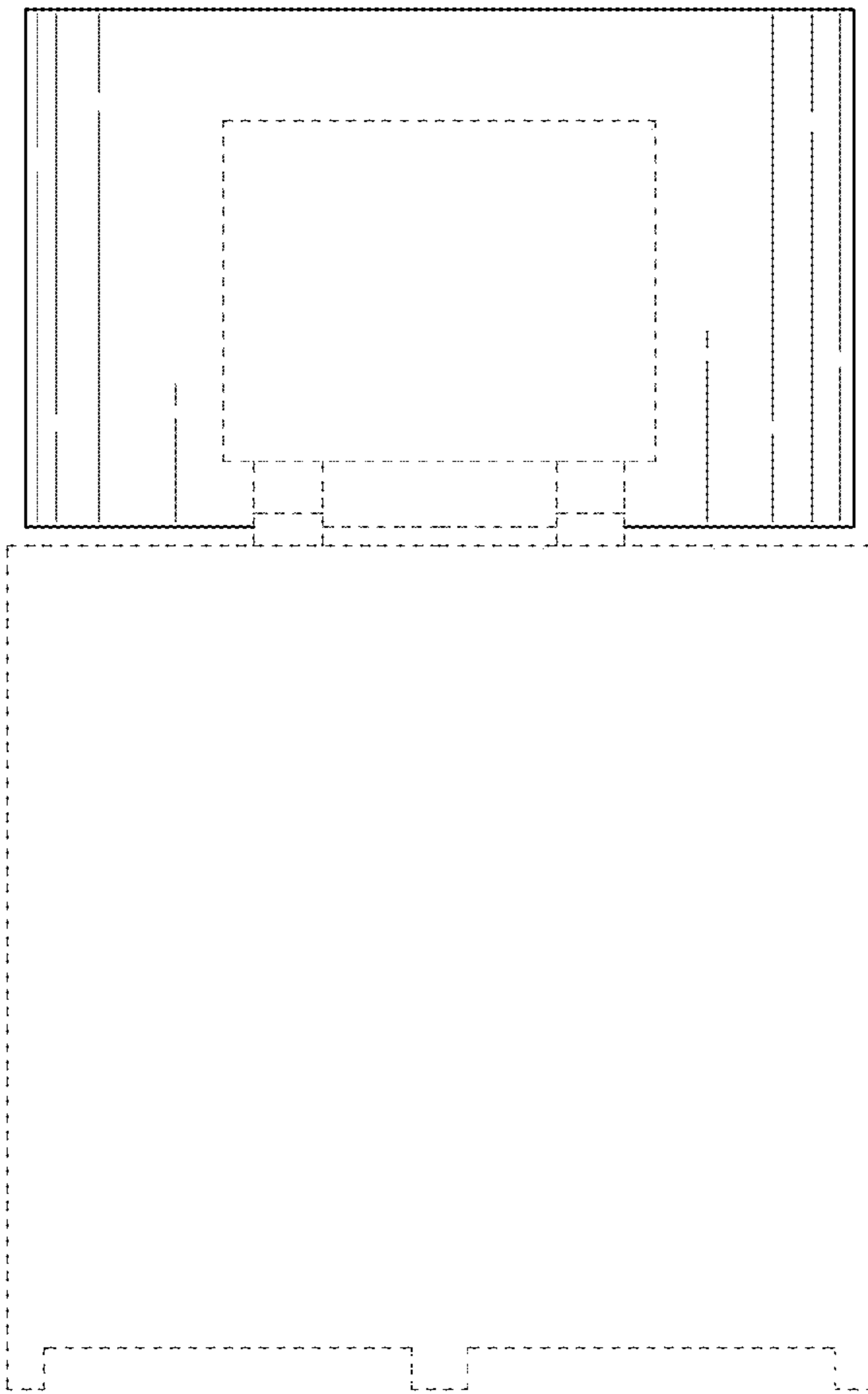


FIG. 6

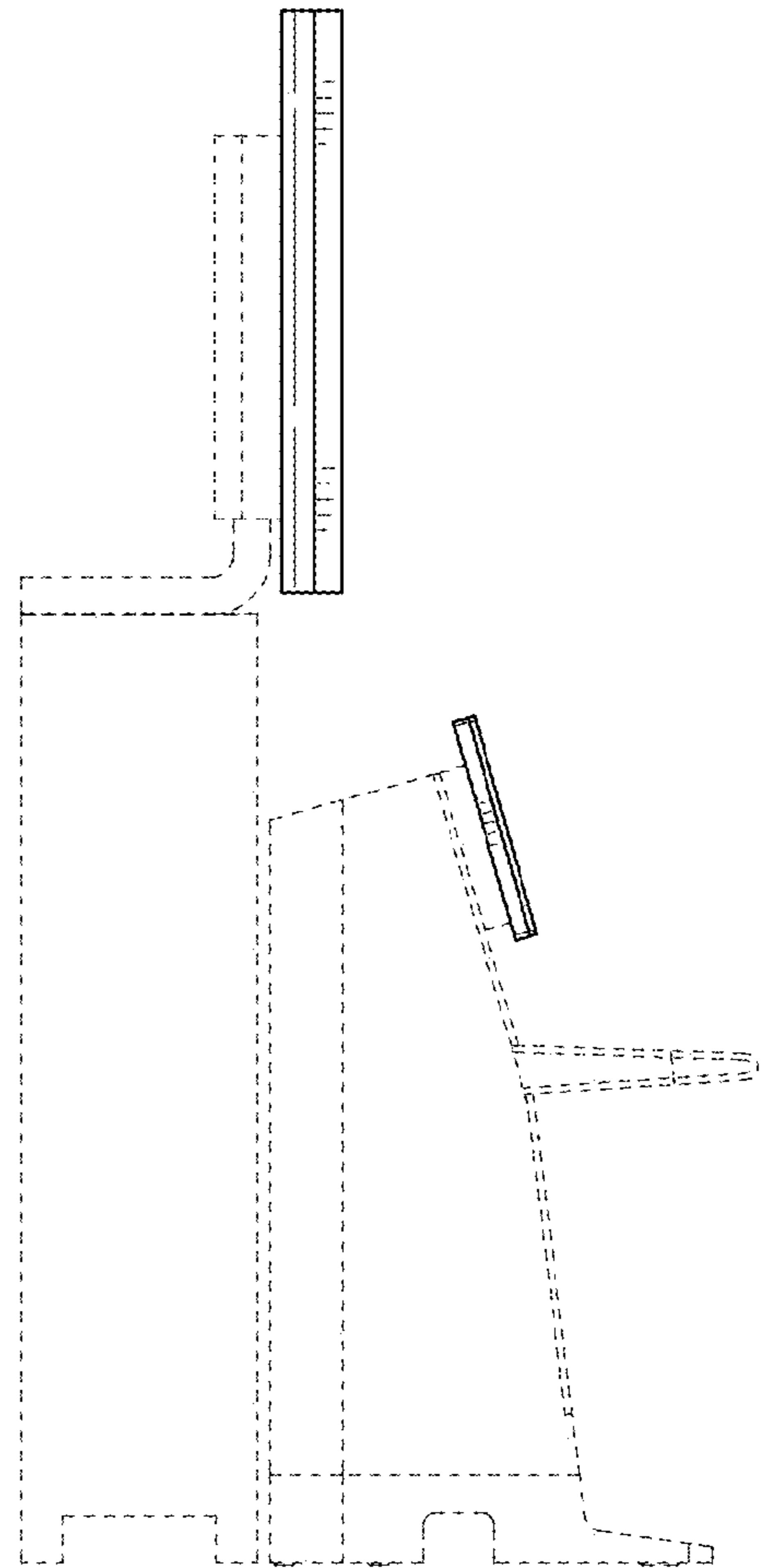


FIG. 7