

US00D902317S

(12) **United States Design Patent** (10) **Patent No.:** **US D902,317 S**
McGetrick (45) **Date of Patent:** **** Nov. 17, 2020**

(54) **TABLETOP GAME** 2,942,886 A 6/1960 Ackerman
2,950,917 A 8/1960 Albert
(71) Applicant: **Mellow Militia, LLC**, Santa Barbara, CA (US) 2,950,918 A 8/1960 Albert
2,991,034 A 7/1961 Albert
(72) Inventor: **Kyle P. McGetrick**, Santa Barbara, CA (US) 3,009,702 A 11/1961 Albert
3,023,001 A 2/1962 Gourdouze
3,051,491 A 8/1962 Nat
3,288,466 A 11/1966 Cumings
(73) Assignee: **Mellow Militia, LLC**, Santa Barbara, CA (US) 3,520,535 A 7/1970 Dubbs et al.
3,656,747 A * 4/1972 Revell, Jr. A63B 67/10
273/331

(Continued)

(**) Term: **15 Years**

OTHER PUBLICATIONS

(21) Appl. No.: **29/676,005**

“Tiki Toss Desktop”, posted Dec. 19, 2019 [online], [retrieved Feb. 27, 2020]. Retrieved from internet, <https://www.youtube.com/watch?v=9QlfKIPzifM>.*

(22) Filed: **Jan. 7, 2019**

(Continued)

(51) **LOC (12) Cl.** **21-01**

(52) **U.S. Cl.**
USPC **D21/309**

(58) **Field of Classification Search**
USPC D30/302, 303, 304, 306, 309, 322, 401, D30/466, 699, 716, 719, 788; D9/436, D9/455, 715, 601; 473/422, 423, 429, 473/430, 507, 508, 514; 273/320, 332; D21/302, 303, 304, 306, 309, 322, 401, D21/466, 699, 716, 719, 788
CPC A63B 69/0079; A63B 2071/026
See application file for complete search history.

Primary Examiner — Sandra Snapp
Assistant Examiner — Mehri Bajoul
(74) *Attorney, Agent, or Firm* — Lee Sullivan Shea & Smith LLP

(57) **CLAIM**

The ornamental design for a tabletop game, as shown and described.

DESCRIPTION

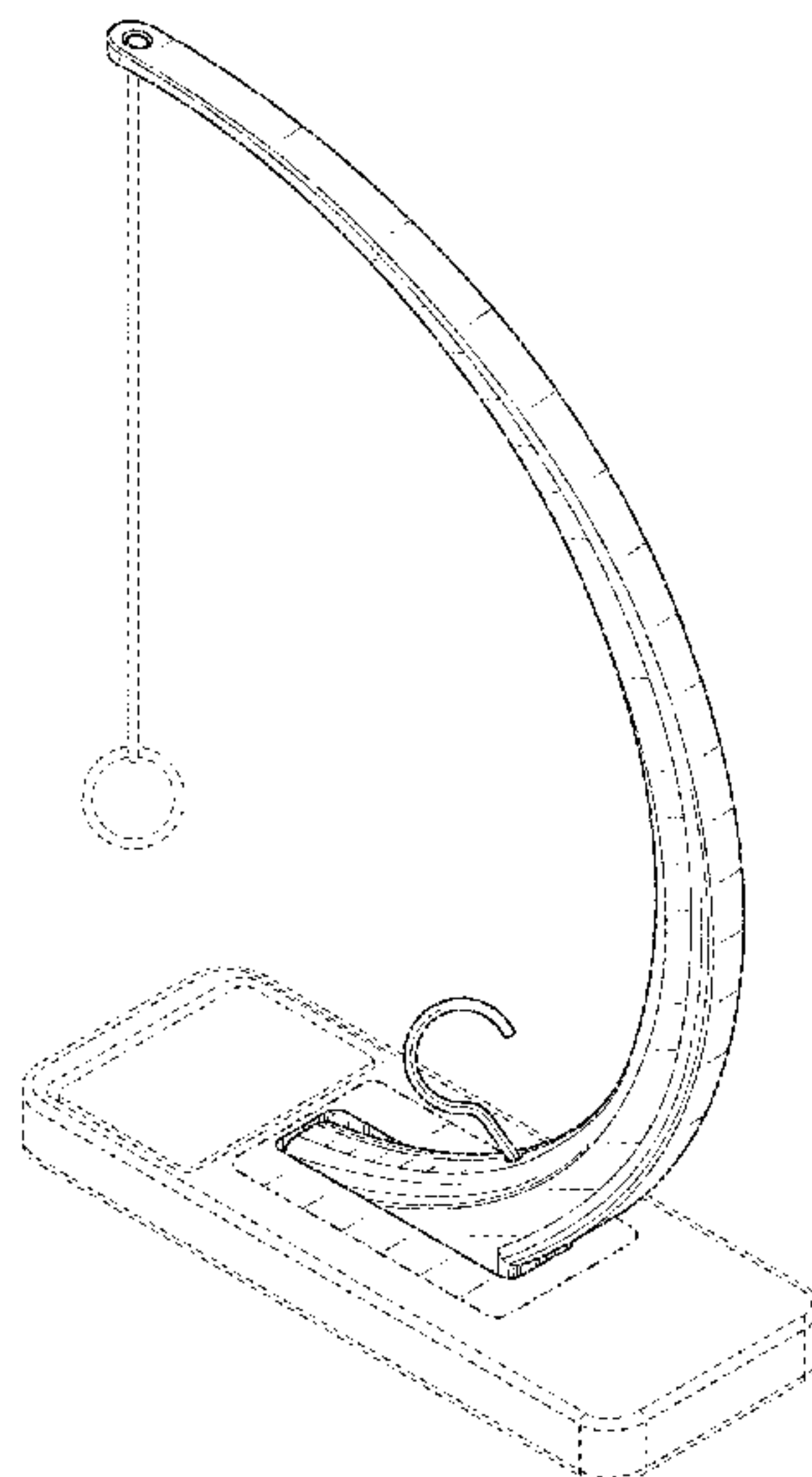
(56) **References Cited**

U.S. PATENT DOCUMENTS

645,877 A * 3/1900 Taylor 473/576
702,910 A * 6/1902 Austin et al. A63B 69/408
124/16
1,052,907 A 2/1913 Fergusson
1,121,353 A 12/1914 Grikscheit
1,398,511 A 11/1921 Hanrath
2,095,390 A 10/1937 Herman et al.
2,147,176 A 2/1939 Ronzone
2,506,825 A * 5/1950 Carlson A63B 69/0079
235/103
D175,205 S * 7/1955 Wilson D21/309

FIG. 1 is a rear, perspective view of a tabletop game showing my new design;
FIG. 2 is a right side view of FIG. 1 with the left side being a mirror image;
FIG. 3 is a front view of FIG. 1; and,
FIG. 4 is a top plan view of the FIG. 1.
The evenly dashed broken lines depict portions of the tabletop game and form no part of the claimed design. The thick dot-dash lines depict boundary lines and form no part of the claimed design.

1 Claim, 4 Drawing Sheets



(56)

References Cited

U.S. PATENT DOCUMENTS

4,050,694 A * 9/1977 Domroski A63B 69/0002
473/429
D246,002 S * 10/1977 Hahne D21/309
4,059,271 A * 11/1977 Dupre A63B 21/0608
473/576
4,079,934 A * 3/1978 Nixon A63B 69/0079
473/430
4,120,498 A * 10/1978 Mutschler A63B 67/10
273/332
4,158,458 A * 6/1979 Gomez A63B 69/0079
473/575
4,462,599 A * 7/1984 Brown A63B 69/0079
473/430
4,564,200 A 1/1986 Loring et al.
4,576,379 A * 3/1986 Juhasz A63B 69/0079
473/430
4,635,942 A 1/1987 Flaherty, Jr.
4,739,995 A * 4/1988 Yackel, Jr. A63B 67/10
273/331
D312,857 S * 12/1990 Montelongo D21/719
5,171,019 A 12/1992 Arnette
D365,128 S * 12/1995 Testasecca D21/309
D367,153 S * 2/1996 Sturm D6/674
D369,482 S * 5/1996 McArdle D7/601
5,516,116 A * 5/1996 Castro A63B 69/0079
473/429
D433,723 S * 11/2000 Hynes D21/719
6,328,665 B1 * 12/2001 Gormley E04H 12/2246
108/161
D486,544 S * 2/2004 Featherston D21/719

D533,750 S * 12/2006 Goodman D7/601
7,186,192 B1 * 3/2007 Suissa A63B 69/0079
473/423
D606,136 S * 12/2009 Gamboa D21/719
D637,043 S * 5/2011 Baquero D7/601
8,033,934 B1 * 10/2011 Clancy A63B 43/007
473/422
8,574,135 B2 * 11/2013 Chen A63B 69/0086
482/83
D698,203 S * 1/2014 Goodman D7/601
8,932,155 B2 * 1/2015 Moore A63B 63/083
473/422
D750,184 S * 2/2016 Gordon D21/698
D766,046 S * 9/2016 Guindi D7/601
D788,542 S * 6/2017 Goodman D7/601
D798,695 S * 10/2017 Davison D8/367
D816,419 S * 5/2018 Goodman D7/601
D862,619 S * 10/2019 Hamilton D21/719
2009/0206550 A1 8/2009 Pershin et al.
2014/0049007 A1 2/2014 McGetrick et al.
2015/0115530 A1 4/2015 Vanston
2015/0296979 A1 * 10/2015 Todd A47B 75/00
211/85.4
2016/0339315 A1 11/2016 McGetrick

OTHER PUBLICATIONS

Non-Final Office Action dated Mar. 27, 2014, issued in connection with U.S. Appl. No. 13/970,347, filed Aug. 19, 2013, 7 pages.
Final Office Action dated Jul. 31, 2014, issued in connection with U.S. Appl. No. 13/970,347, filed Aug. 19, 2013, 6 pages.

* cited by examiner

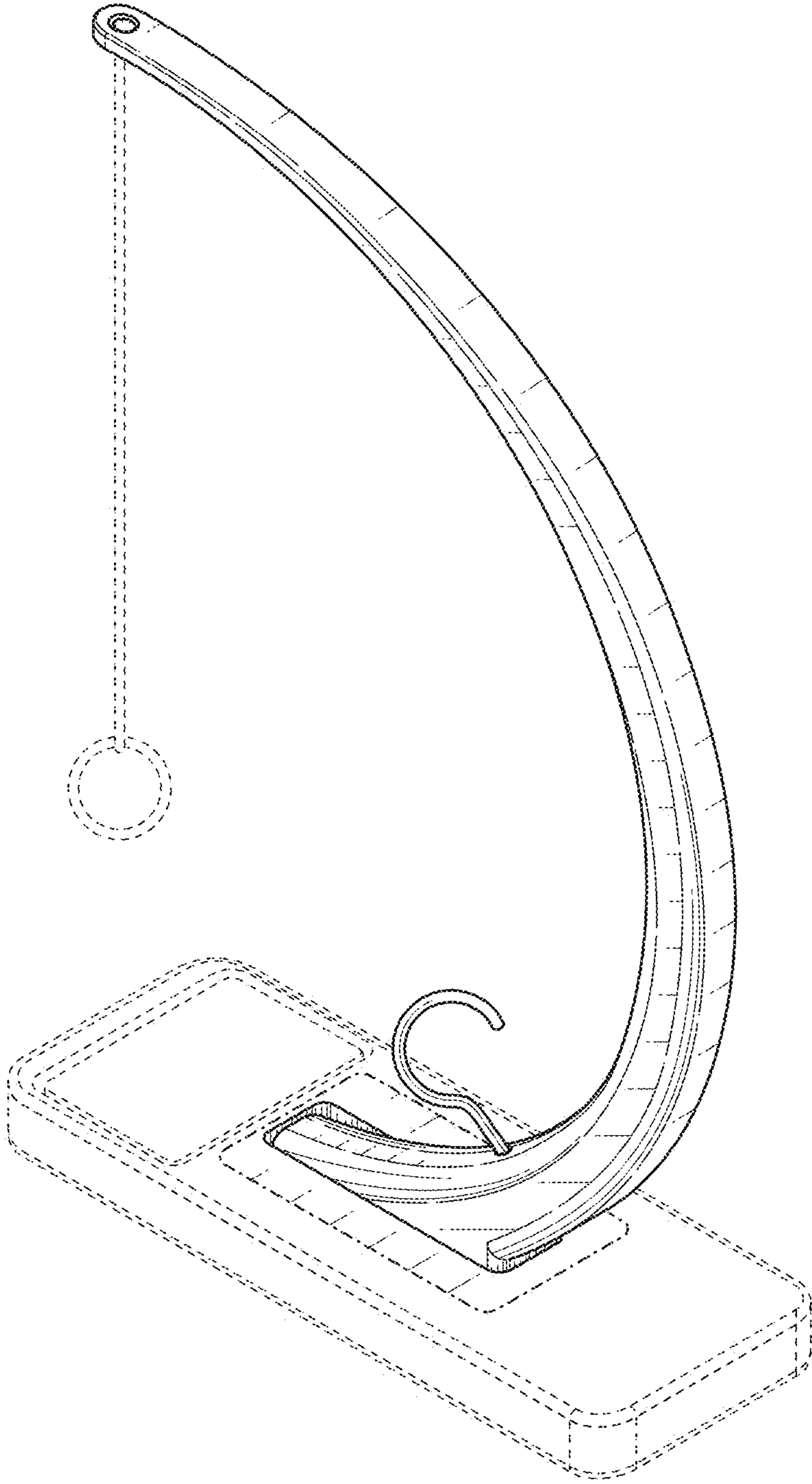


FIG. 1

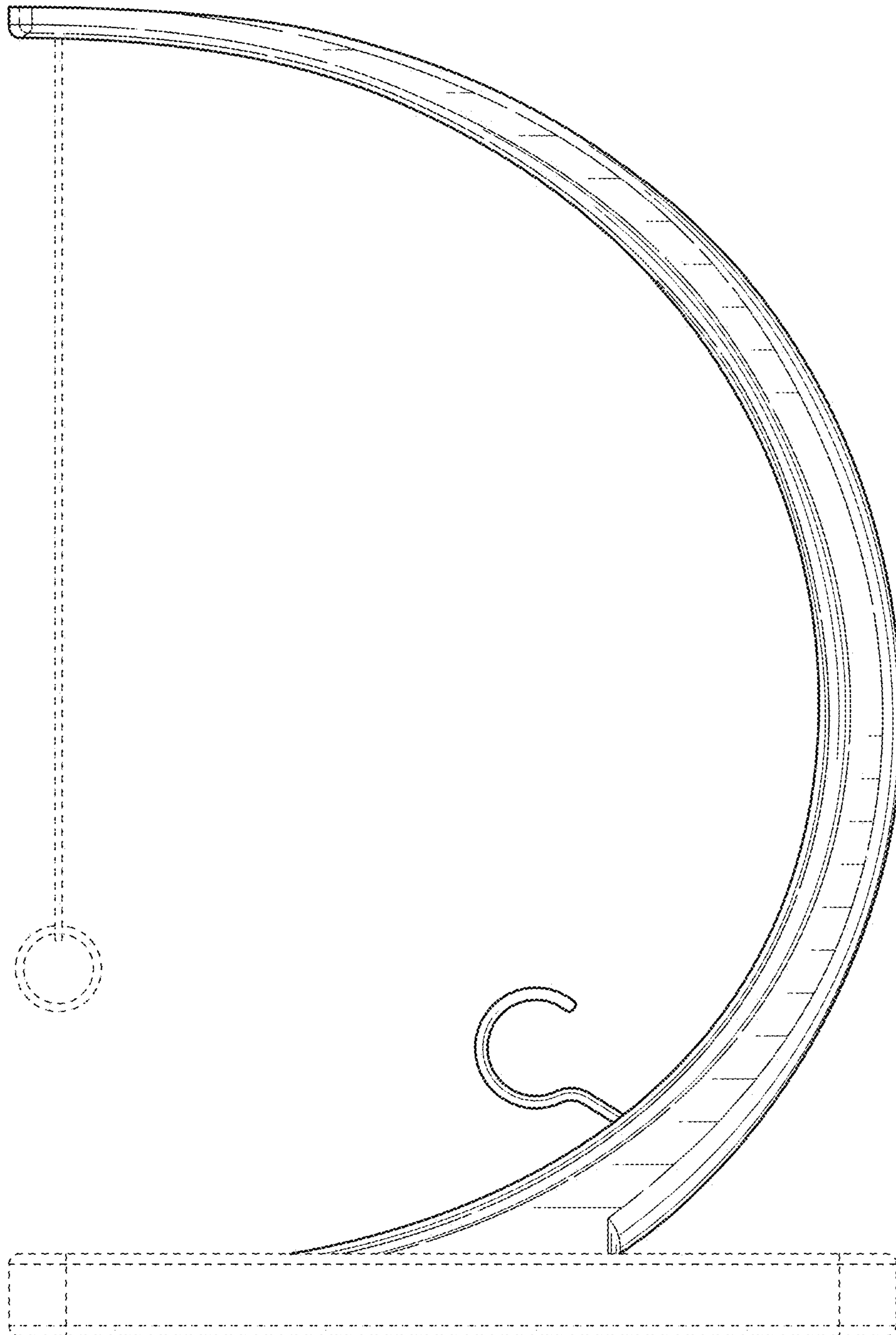


FIG. 2

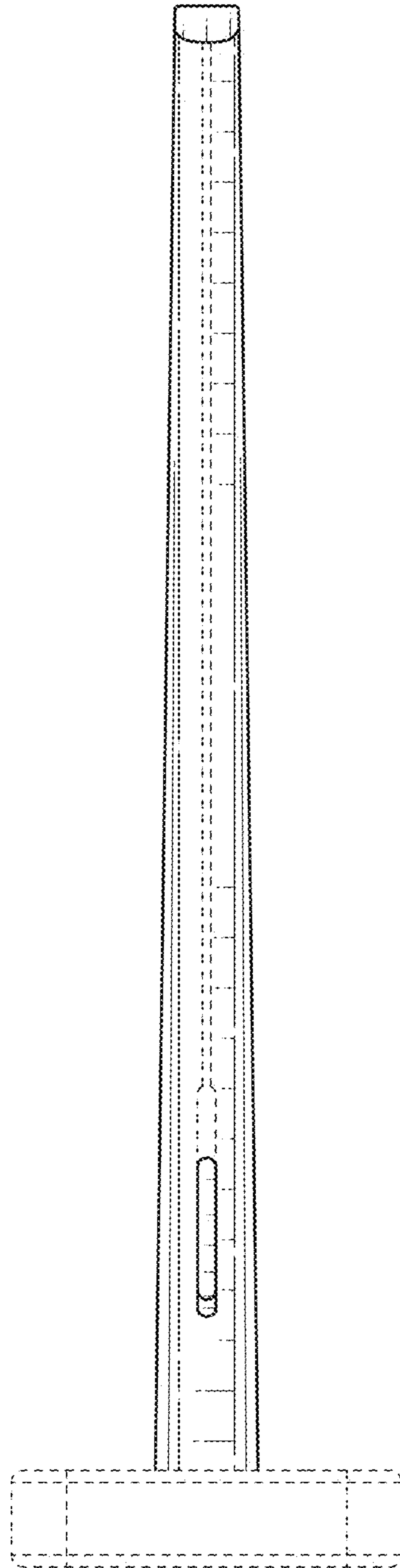


FIG. 3

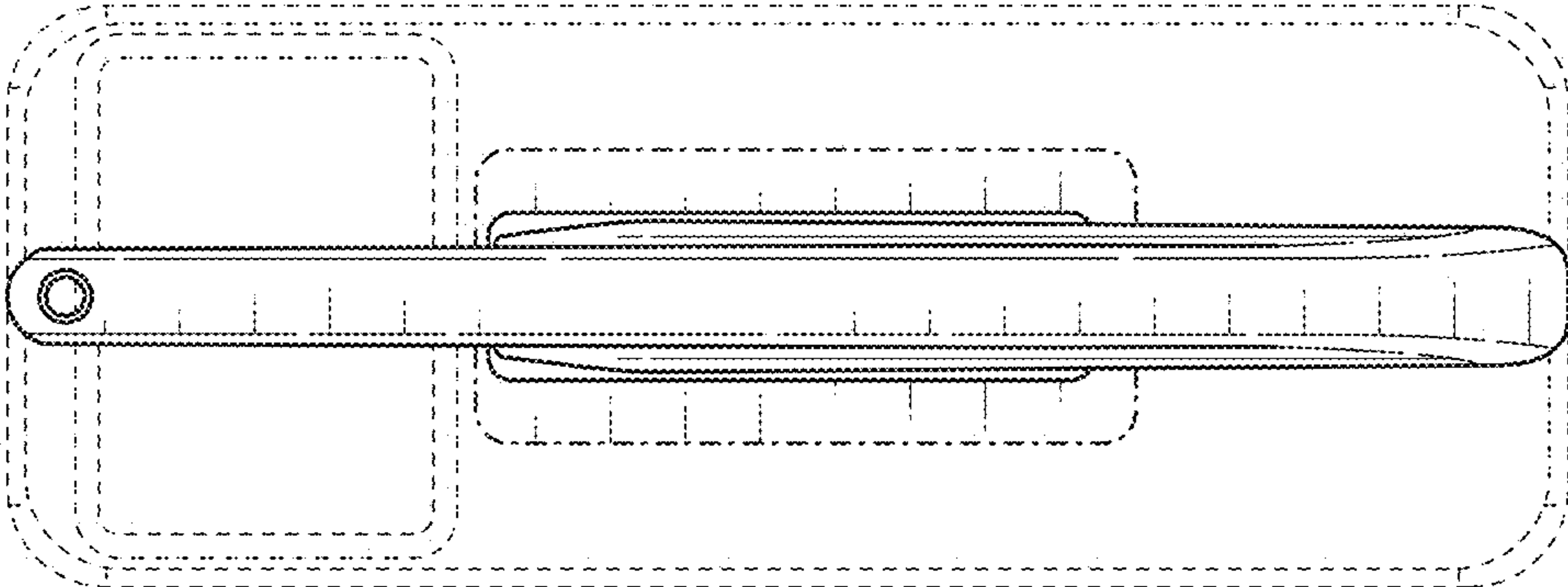


FIG. 4