



US00D902315S

(12) **United States Design Patent** (10) **Patent No.:** **US D902,315 S**
Loew (45) **Date of Patent:** **** Nov. 17, 2020**

(54) **ILLUMINATED SIGN**
(71) Applicant: **Amazon Technologies, Inc.**, Seattle, WA (US)
(72) Inventor: **Christopher Loew**, Palo Alto, CA (US)
(73) Assignee: **Amazon Technologies, Inc.**, Seattle, WA (US)

D116,338 S 8/1939 Gist
3,102,352 A 9/1963 White
D202,866 S 11/1965 Handley
D213,907 S 4/1969 Woofter
D233,159 S 10/1974 White
D247,590 S * 3/1978 Atherton D20/41
D263,972 S 4/1982 Pasker
(Continued)

(**) Term: **15 Years**
(21) Appl. No.: **29/676,418**
(22) Filed: **Jan. 10, 2019**

OTHER PUBLICATIONS

Office Action for U.S. Appl. No. 29/624,007, dated Apr. 4, 2018, Lowe, "Illuminated Sign", 9 pages.
(Continued)

Related U.S. Application Data

(63) Continuation of application No. 29/627,882, filed on Nov. 30, 2017, now Pat. No. Des. 842,383, which is a continuation of application No. 29/571,285, filed on Jul. 15, 2016, now Pat. No. Des. 807,434.

Primary Examiner — Mary Ann Calabrese
(74) *Attorney, Agent, or Firm* — Lee & Hayes, P.C.

(51) **LOC (12) Cl.** **20-02**
(52) **U.S. Cl.**
USPC **D20/41**; D10/109.1

(57) **CLAIM**

The ornamental design for an illuminated sign, as shown and described.

(58) **Field of Classification Search**
USPC D20/10, 19, 39, 41, 42, 99; D10/109.1, D10/113.4
CPC ... G09F 7/00; G09F 9/00; G09F 13/00; G09F 13/04; G09F 13/0404; G09F 13/0413; G09F 13/18; G09F 2013/0445; G09F 2013/049; G09F 2013/0495; G09F 2013/227; G09F 15/00; G09F 15/0037
See application file for complete search history.

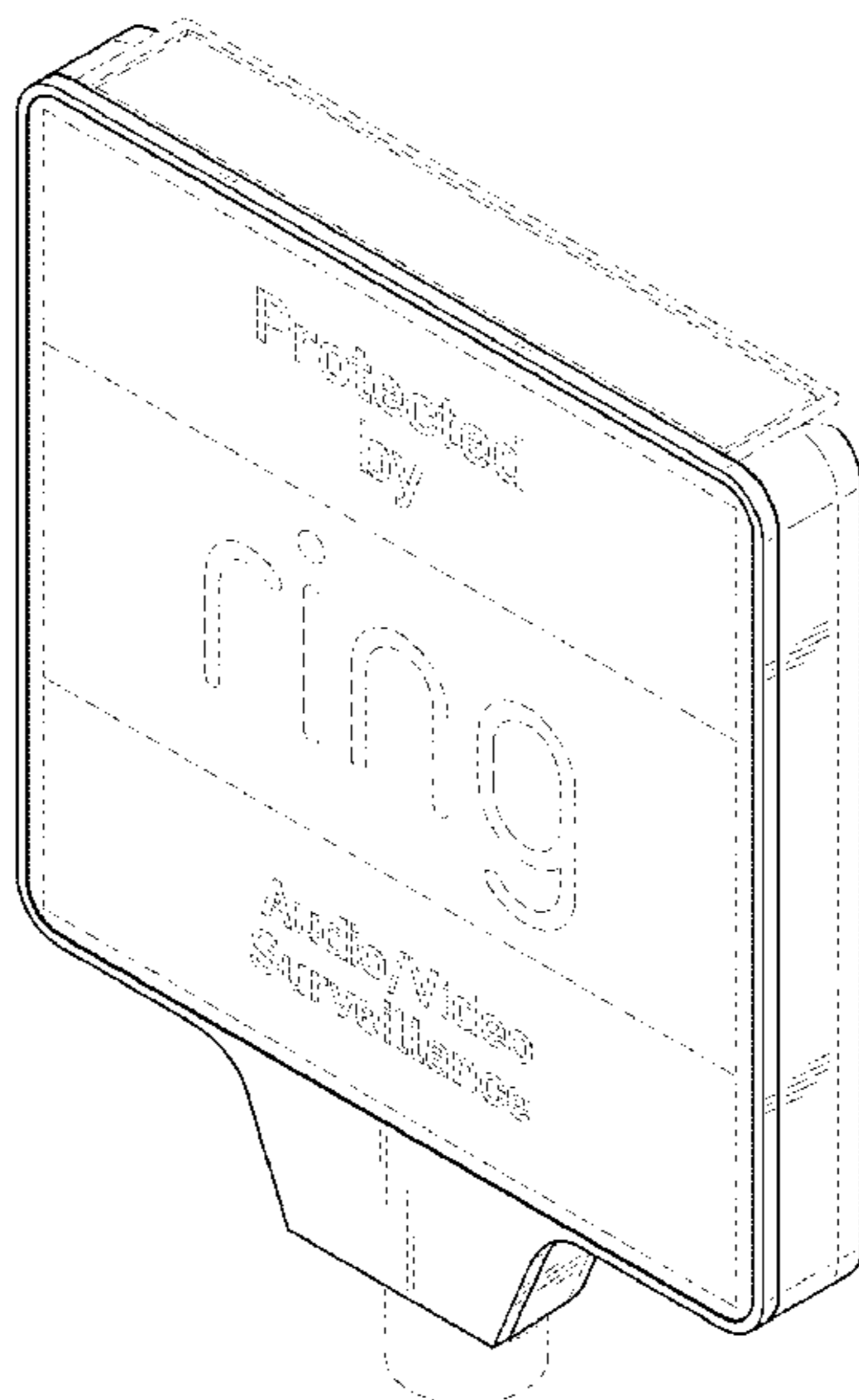
DESCRIPTION

FIG. 1 is a front perspective view of the illuminated sign according to the present design;
FIG. 2 is a front elevational view of the illuminated sign of FIG. 1;
FIG. 3 is a rear elevational view of the illuminated sign of FIG. 1;
FIG. 4 is a right-side elevational view of the illuminated sign of FIG. 1, the left-side elevational view being a mirror image thereof;
FIG. 5 is a top plan view of the illuminated sign of FIG. 1;
FIG. 6 is a bottom plan view of the illuminated sign of FIG. 1; and,
FIG. 7 is a front perspective view of the illuminated sign of FIG. 1, showing the illuminated sign in a manner of use.
In the drawings, the broken lines depict portions of the illuminated sign that form no part of the claimed design.

(56) **References Cited**
U.S. PATENT DOCUMENTS

D59,626 S 11/1921 Dunlap
D60,872 S 4/1922 Minoff
D60,887 S 4/1922 Tuttle
D99,928 S 6/1936 Chernow

1 Claim, 6 Drawing Sheets



(56)

References Cited

U.S. PATENT DOCUMENTS

D265,746 S 8/1982 Robillard
 D307,213 S 4/1990 Scungio
 4,930,234 A 6/1990 Schmidt
 D315,695 S 3/1991 DeCaro
 D330,686 S 11/1992 Campagna
 D354,084 S 1/1995 Leighton
 D360,846 S 8/1995 Kallionpaa
 D363,248 S * 10/1995 Bogacki, III D10/109.1
 D375,979 S 11/1996 Adams
 D382,218 S 8/1997 Hall
 D394,409 S 5/1998 Ferguson
 D397,364 S 8/1998 Barrett
 D399,260 S 10/1998 Thimote
 D404,334 S 1/1999 Welsh
 D406,396 S 3/1999 Granwehr
 D407,987 S 4/1999 Dittmore et al.
 D410,861 S 6/1999 De Winter
 D413,934 S 9/1999 Kleihues
 D424,734 S 5/2000 Gager et al.
 D425,812 S 5/2000 Bodo
 D429,177 S 8/2000 Jennings
 D433,071 S 10/2000 Barrett
 D436,135 S 1/2001 Emert
 D438,134 S 2/2001 Sloven
 D440,153 S 4/2001 Lin
 D440,512 S 4/2001 Mugleston
 D444,941 S 7/2001 Pisarevsky
 D446,379 S 8/2001 Taylor
 D447,332 S 9/2001 Pisarevsky
 D459,265 S 6/2002 Taylor
 D463,104 S 9/2002 Ames
 6,519,884 B1 2/2003 Duhamel
 D475,317 S 6/2003 Fernandez
 D476,038 S 6/2003 Geyer
 D476,691 S 7/2003 Geyer
 D479,561 S 9/2003 Meyer
 D487,406 S 3/2004 Anderson
 D498,162 S 11/2004 Evans
 D501,891 S 2/2005 Kaplan et al.
 D526,362 S 8/2006 Priegel
 D559,577 S 1/2008 Quinn
 D561,260 S 2/2008 Ferry
 D570,597 S 6/2008 Klein
 D574,989 S 8/2008 Rodzwell
 D578,431 S 10/2008 Weyer et al.
 D598,053 S 8/2009 Sanchez

D598,054 S 8/2009 Grimshaw
 D602,092 S 10/2009 Tonnessen et al.
 D609,752 S 2/2010 Miller
 D616,198 S 5/2010 Liu et al.
 D621,399 S 8/2010 Ahlstrom
 7,814,692 B2 10/2010 Wiltfang et al.
 D651,255 S 12/2011 Ingouville
 D660,370 S 5/2012 Podd
 D664,055 S 7/2012 Call
 D693,269 S 11/2013 Bertken
 D711,467 S 8/2014 Rhodes
 D713,404 S 9/2014 Green
 D754,014 S 4/2016 Hart
 D786,140 S 5/2017 Bloch
 D787,600 S * 5/2017 McCue D20/41
 D791,240 S * 7/2017 Lemberger D20/41
 D791,241 S * 7/2017 Lemberger D20/41
 D791,242 S 7/2017 Lemberger et al.
 D791,243 S * 7/2017 Loew D20/41
 D791,878 S 7/2017 Loew
 D797,856 S 9/2017 Loew
 D803,943 S 11/2017 Loew
 D804,578 S 12/2017 Loew
 D804,583 S * 12/2017 Exley D21/483
 D807,434 S 1/2018 Loew
 D842,381 S * 3/2019 Loew G09F 21/02
 D20/41
 D842,382 S * 3/2019 Loew D20/41
 D842,383 S 3/2019 Loew
 D885,487 S * 5/2020 Yoo D20/41
 2014/0165437 A1 6/2014 Barker
 2016/0180752 A1 * 6/2016 Akwei G09F 21/02
 340/908

OTHER PUBLICATIONS

Office Action for U.S. Appl. 29/624,011, dated Apr. 5, 2018, Lowe, "Illuminated Sign", 8 pages.
 Office Action for U.S. Appl. No. 29/627,882, dated Apr. 5, 2018, Loew, "Illuminated Sign", 8 pages.
 Office Action for U.S. Appl. No. 29/571,280, dated May 19, 2017, Lowe, "Illuminated Sign", 7 pages.
 Office Action for U.S. Appl. No. 29/571,283, dated May 22, 2017, Lowe, "Illuminated Sign", 8 pages.
 Office Action for U.S. Appl. No. 29/571,285, dated May 24, 2017, Lowe, "Illuminated Sign", 8 pages.

* cited by examiner

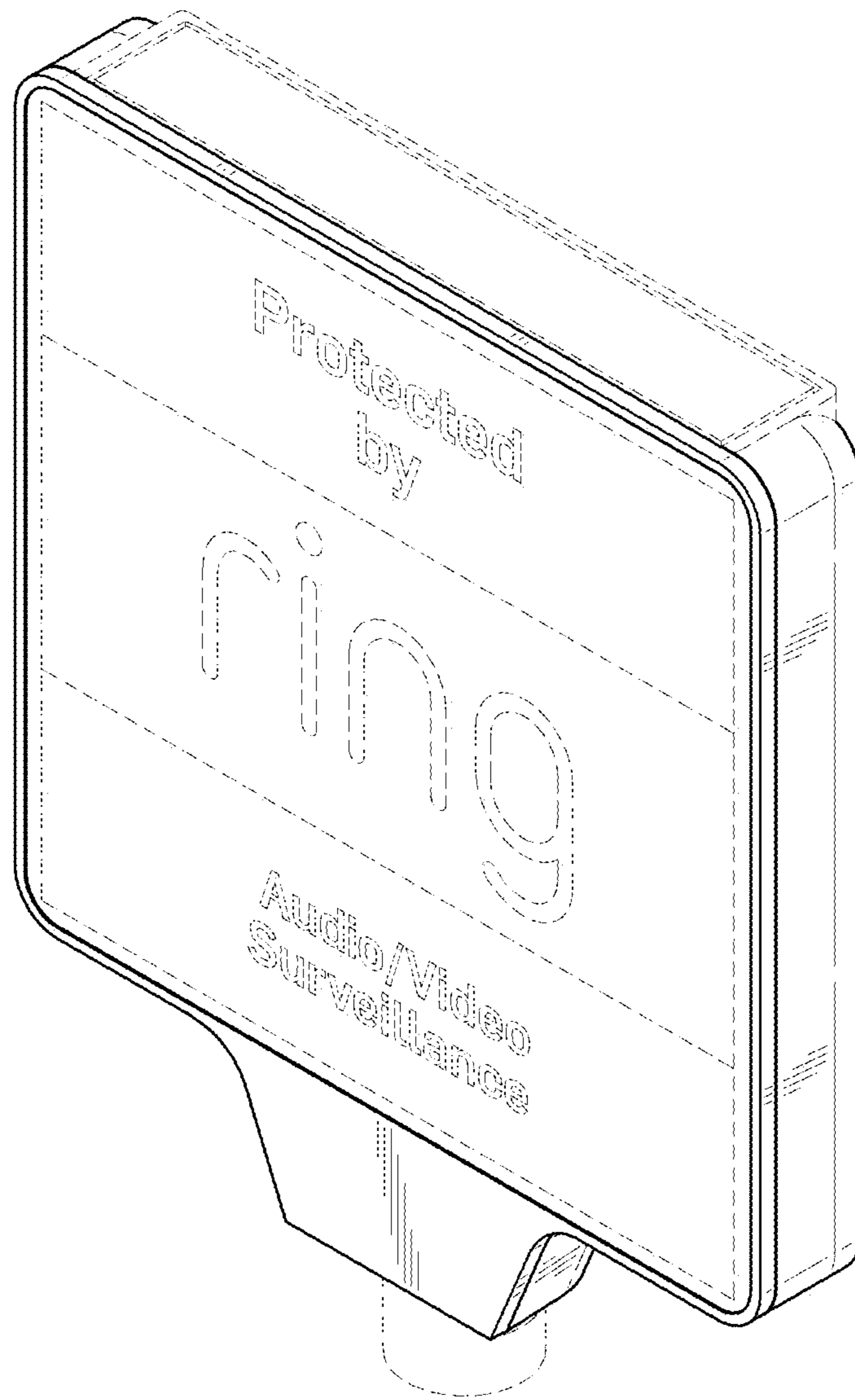


FIG. 1

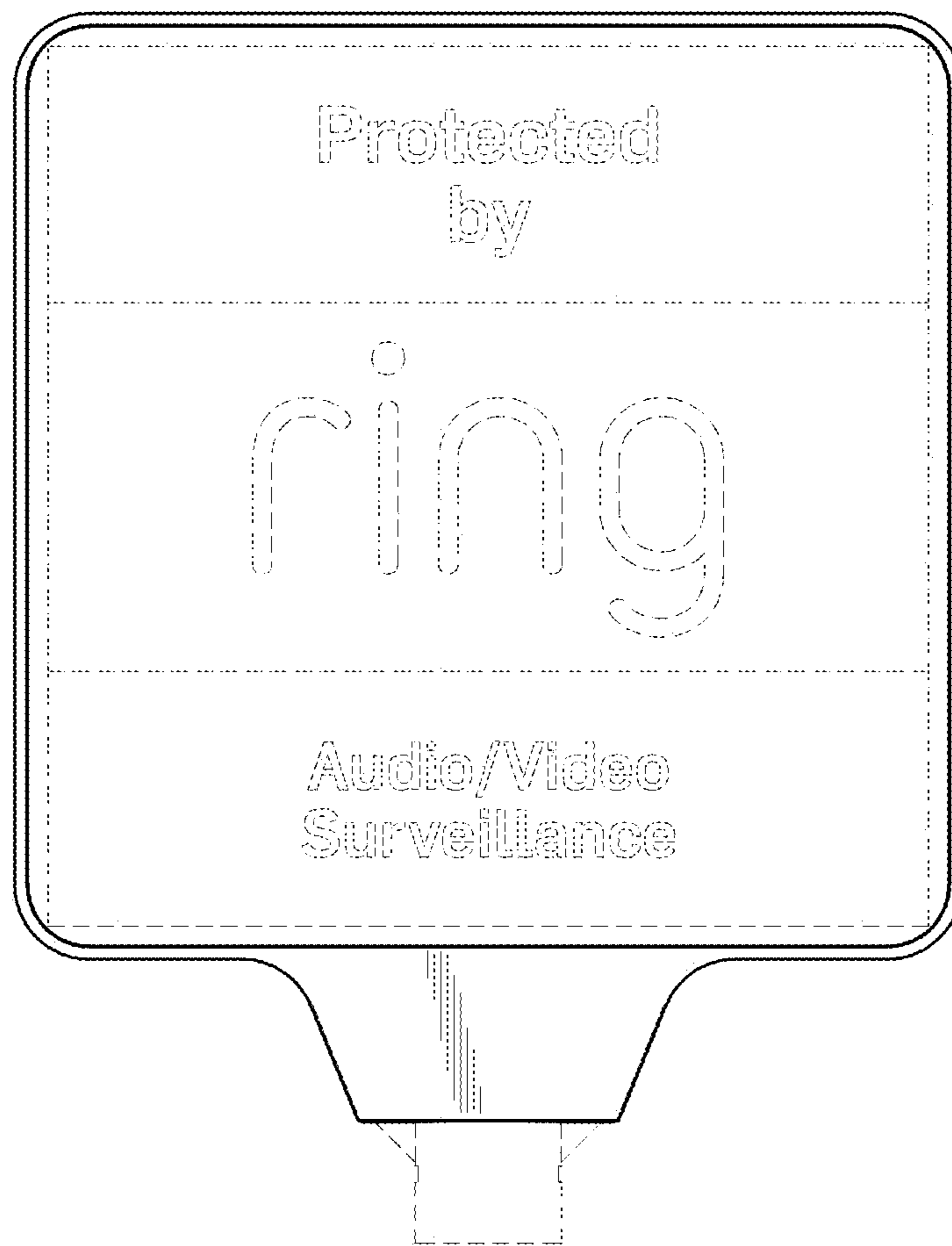


FIG. 2

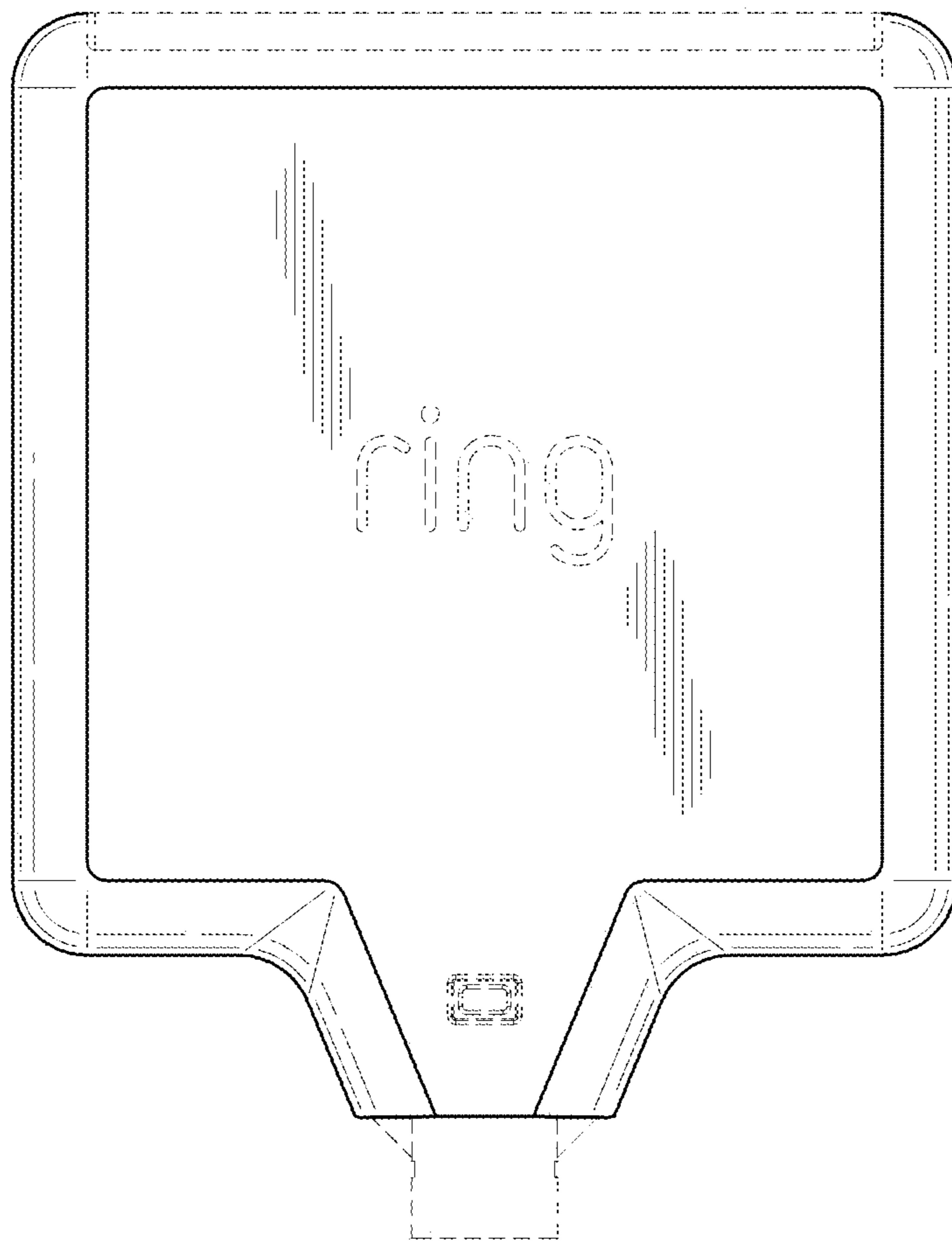


FIG. 3

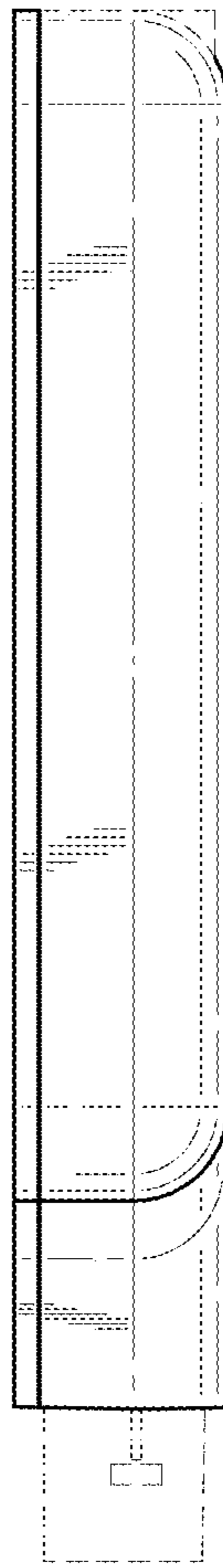


FIG. 4

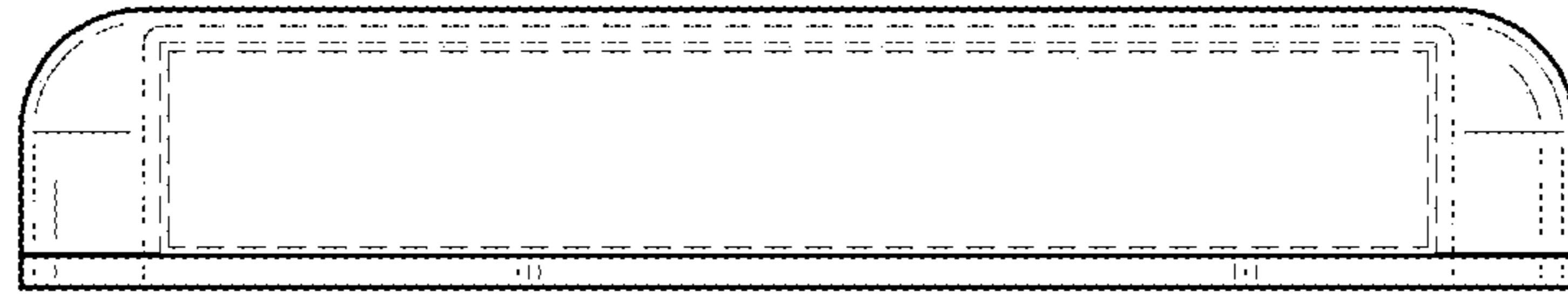


FIG. 5

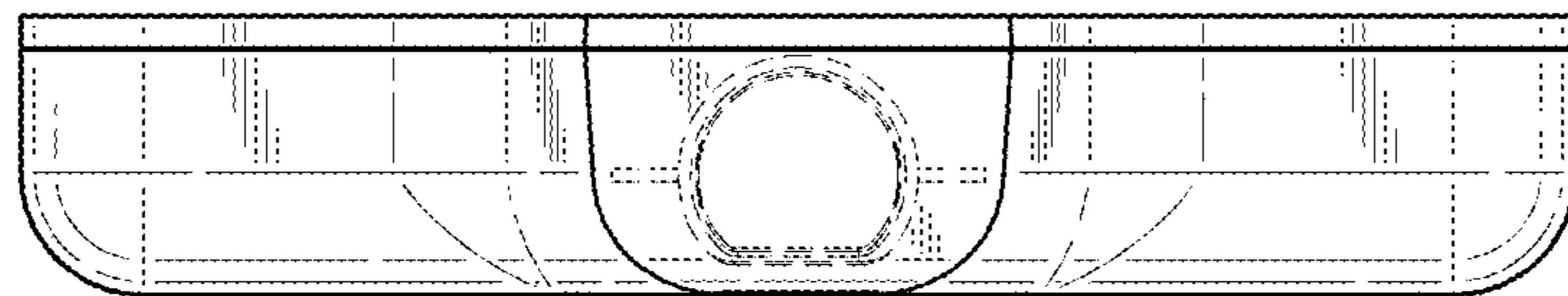


FIG. 6

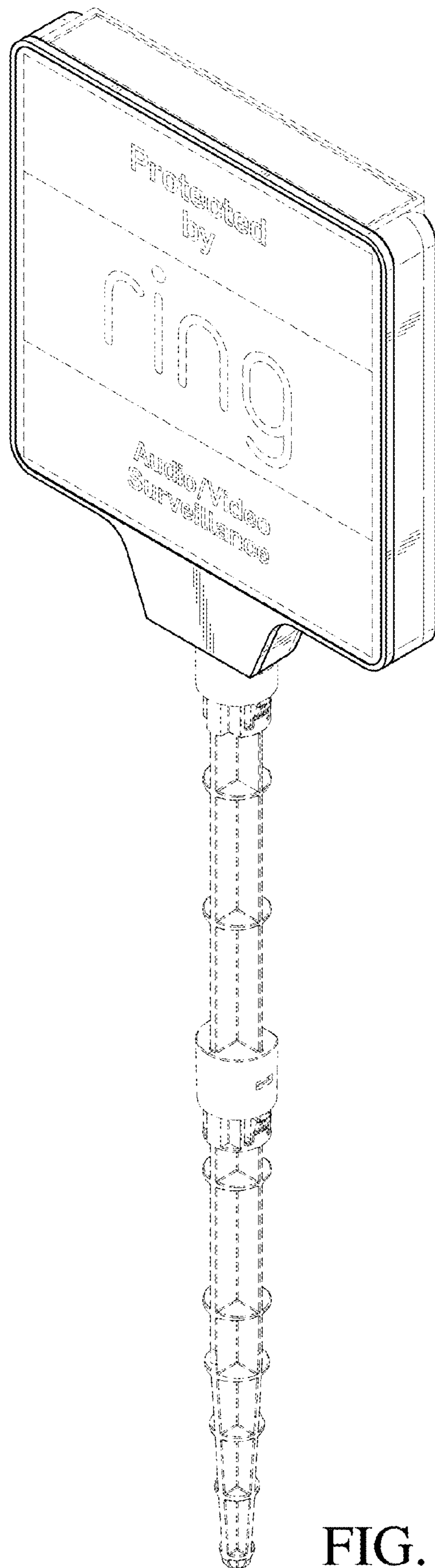


FIG. 7