



US00D902312S

(12) **United States Design Patent**
Shibata

(10) **Patent No.:** **US D902,312 S**

(45) **Date of Patent:** **** Nov. 17, 2020**

(54) **CAP FOR PEN**

DESCRIPTION

(71) Applicant: **Pentel Kabushiki Kaisha**, Tokyo (JP)

(72) Inventor: **Tomoaki Shibata**, Tokyo (JP)

(73) Assignee: **Pentel Kabushiki Kaisha**, Tokyo (JP)

(**) Term: **15 Years**

(21) Appl. No.: **29/691,345**

(22) Filed: **May 15, 2019**

(30) **Foreign Application Priority Data**

Nov. 15, 2018 (JP) 2018-025025

(51) **LOC (12) Cl.** **19-06**

(52) **U.S. Cl.**
USPC **D19/195**; D19/916

(58) **Field of Classification Search**
USPC D19/115-204; D14/411
CPC . B43K 5/005; B43K 7/12; B43K 8/04; B43K
8/06; B43K 21/006; B43K 21/06
See application file for complete search history.

(56) **References Cited**

U.S. PATENT DOCUMENTS

D143,049 S *	11/1945	Waldinger	D19/168
D143,052 S *	11/1945	Waldinger	D19/168
D147,107 S *	7/1947	Breitenstein	D19/168
D161,426 S *	1/1951	Covey et al.	D19/168
D258,217 S *	2/1981	Sakaoka	D19/168
D286,547 S *	11/1986	Koizumi	D19/169
D316,427 S *	4/1991	Tinz	D19/166
D322,516 S *	12/1991	Korper	D19/66

(Continued)

Primary Examiner — Elizabeth A. Albert

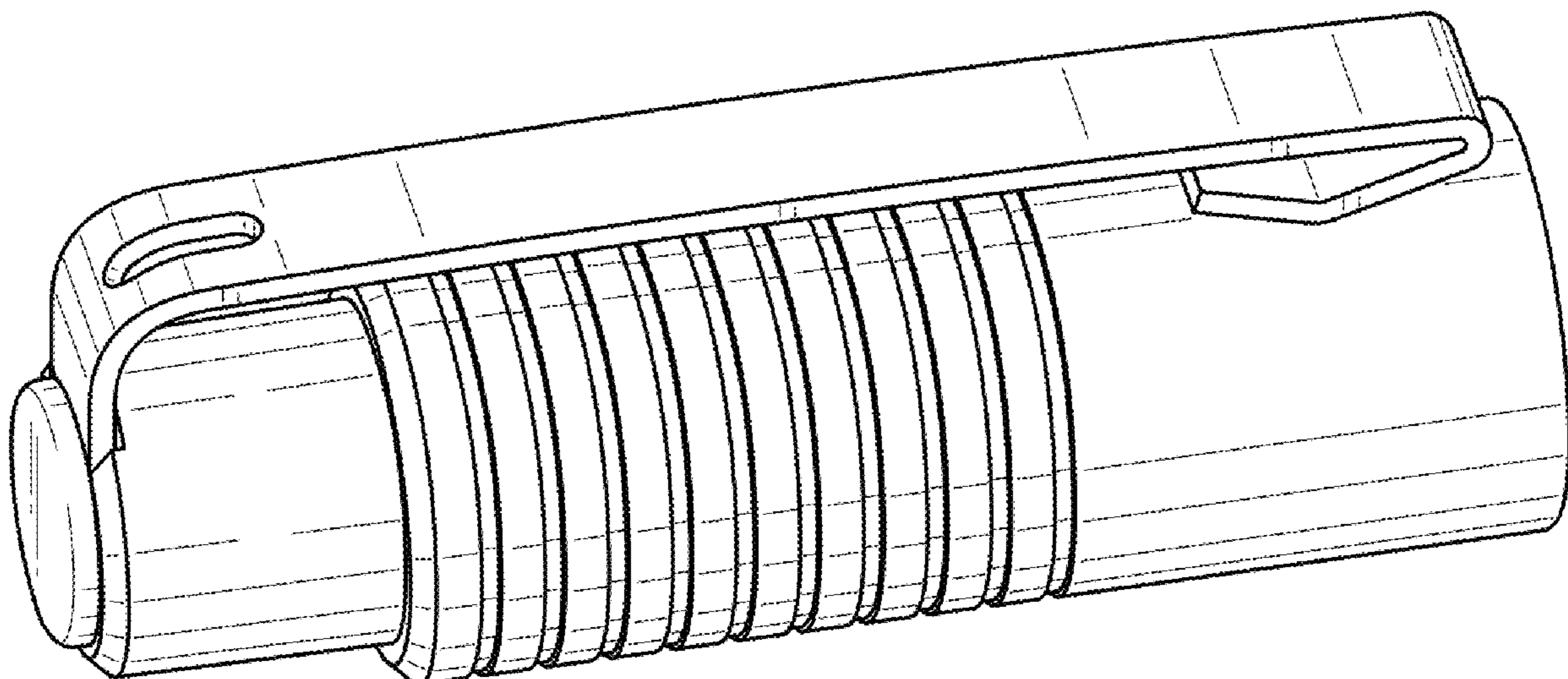
(74) *Attorney, Agent, or Firm* — Banner & Witcoff, Ltd.

(57) **CLAIM**

The ornamental design for a cap for pen, as shown and described.

FIG. 1 is a perspective view of a cap for pen showing my new design in accordance with a first embodiment;
 FIG. 2 is a front view thereof;
 FIG. 3 is a rear view thereof;
 FIG. 4 is a left side view thereof;
 FIG. 5 is a right side view thereof;
 FIG. 6 is a top view thereof, with the bottom view being a mirror image thereof;
 FIG. 7 is a sectional view along a line 7-7 in FIG. 2;
 FIG. 8 is a perspective view of a cap for pen showing my new design in accordance with a second embodiment;
 FIG. 9 is a front view thereof;
 FIG. 10 is a rear view thereof;
 FIG. 11 is a left side view thereof;
 FIG. 12 is a right side view thereof;
 FIG. 13 is a top view thereof, with the bottom view being a mirror image thereof;
 FIG. 14 is a sectional view along a line 14-14 in FIG. 9;
 FIG. 15 is a perspective view of a cap for pen showing my new design in accordance with a third embodiment;
 FIG. 16 is a front view thereof;
 FIG. 17 is a rear view thereof;
 FIG. 18 is a left side view thereof;
 FIG. 19 is a right side view thereof;
 FIG. 20 is a top view thereof, with the bottom view being a mirror image thereof;
 FIG. 21 is a sectional view along a line 21-21 in FIG. 16;
 FIG. 22 is a perspective view of a cap for pen showing my new design in accordance with a fourth embodiment;
 FIG. 23 is a front view thereof;
 FIG. 24 is a rear view thereof;
 FIG. 25 is a left side view thereof;
 FIG. 26 is a right side view thereof;
 FIG. 27 is a top view thereof, with the bottom view being a mirror image thereof; and,
 FIG. 28 is a sectional view along a line 28-28 in FIG. 23.

1 Claim, 8 Drawing Sheets



(56)

References Cited

U.S. PATENT DOCUMENTS

D329,874	S	*	9/1992	Cuadrado	D19/173
D338,686	S	*	8/1993	Ito	D19/195
5,427,464	A	*	6/1995	Nakagawa	B43K 23/124 24/11 F
D404,427	S	*	1/1999	Takanashi	D19/169
D426,263	S	*	6/2000	Sekine	D19/166
D426,573	S	*	6/2000	Sekine	D19/166
D427,239	S	*	6/2000	Senda	D19/169
D434,442	S	*	11/2000	Nohara	D19/168
D442,636	S	*	5/2001	Kobayashi	D19/169
D450,873	S	*	11/2001	Opolka	D19/173
D452,527	S	*	12/2001	Maki	D19/166
D566,766	S	*	4/2008	Silverstein	D19/195
D587,754	S	*	3/2009	Cetera	D19/195
D607,511	S	*	1/2010	Liu	D19/168
D616,935	S	*	6/2010	Zhang	D19/166
D655,292	S	*	3/2012	Nakata	D14/411
D669,896	S	*	10/2012	Nakata	D14/411
D669,897	S	*	10/2012	Nakata	D14/411
D682,275	S	*	5/2013	Nakata	D14/411
D682,276	S	*	5/2013	Nakata	D14/411
D708,616	S	*	7/2014	Nakata	D14/411
D716,814	S	*	11/2014	Nakata	D14/411
D767,034	S	*	9/2016	Zhang	D19/173
D845,266	S	*	4/2019	Zhong	D14/188

* cited by examiner

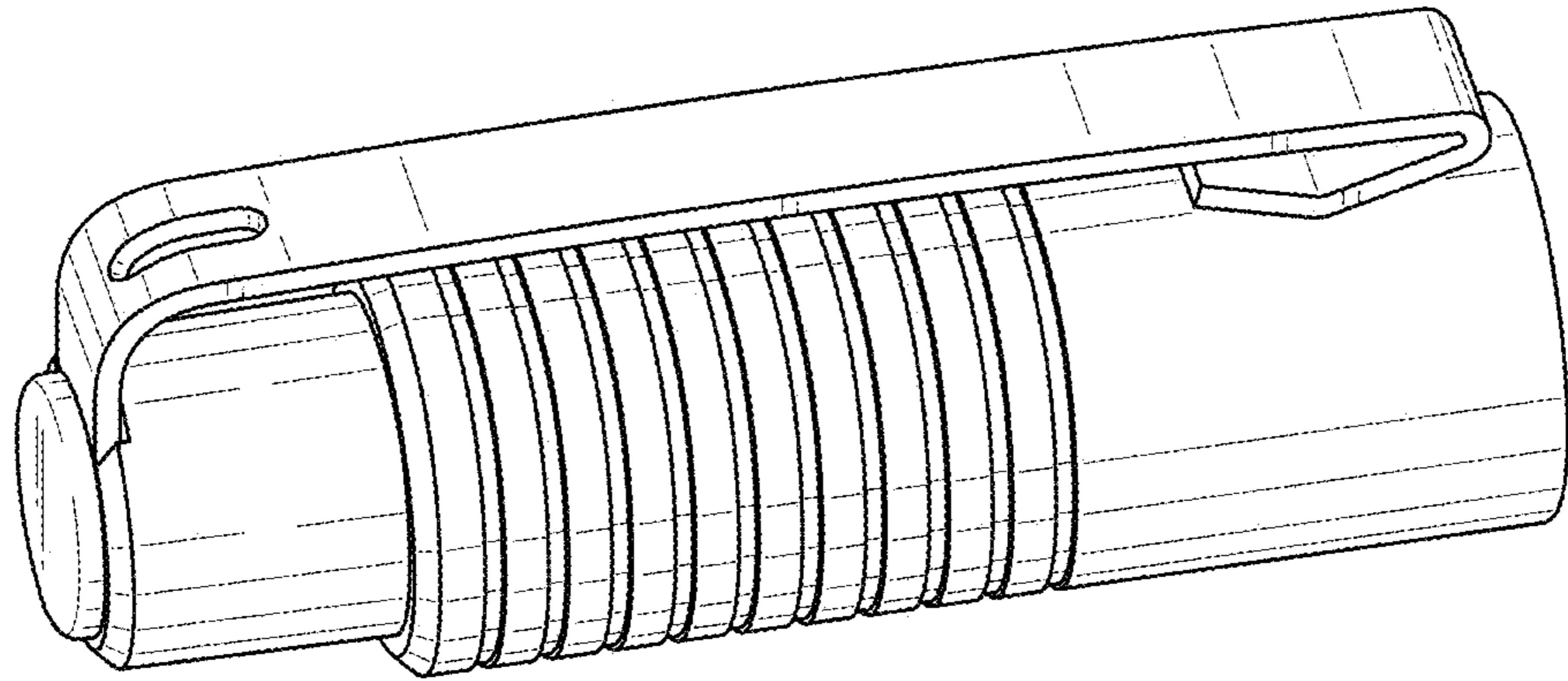


FIG. 1

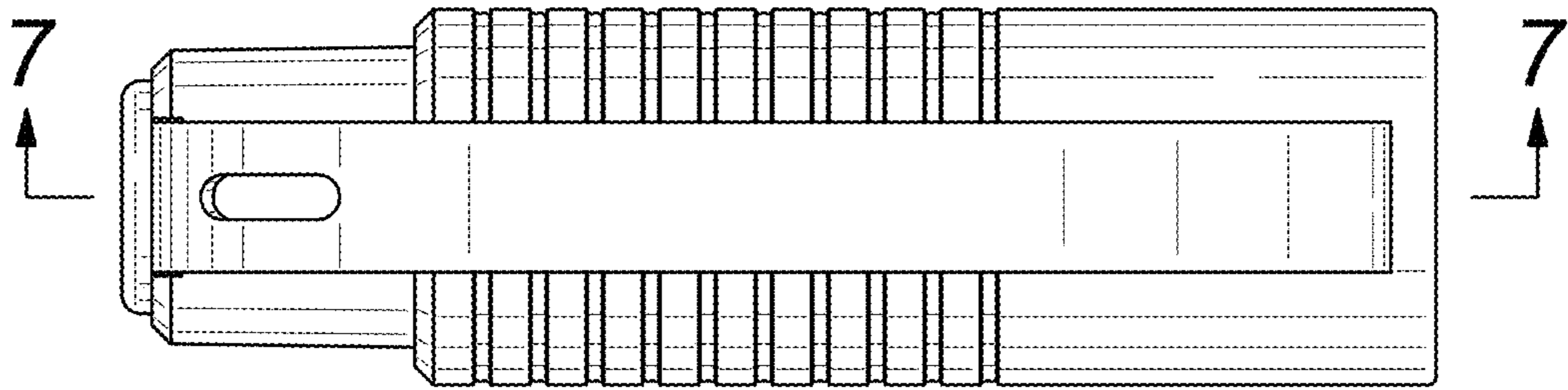


FIG. 2

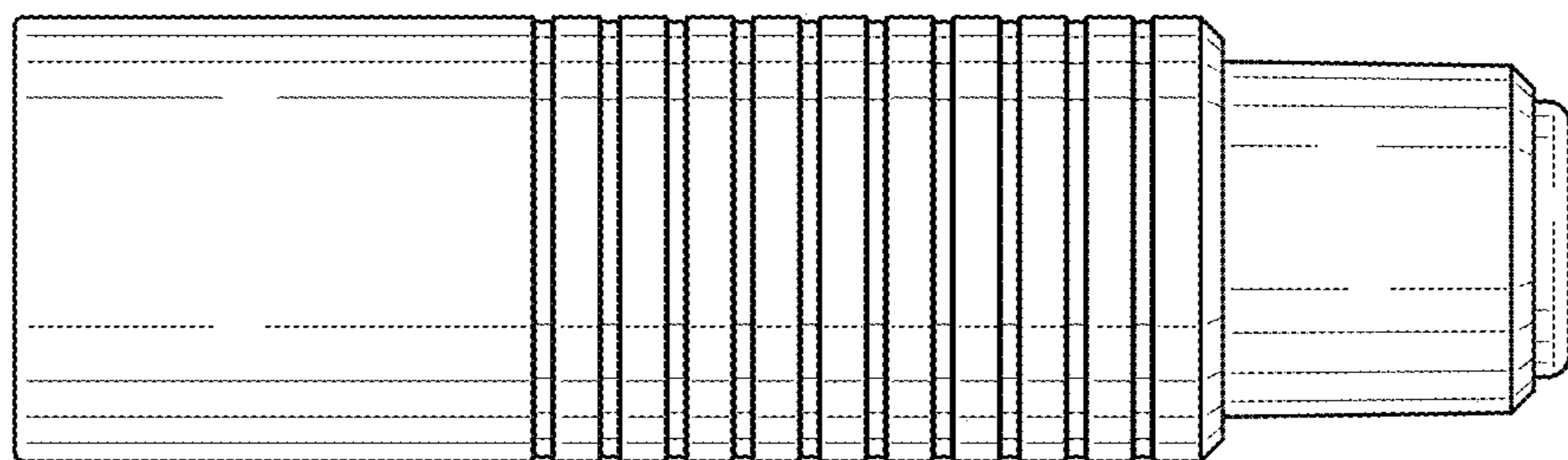


FIG. 3

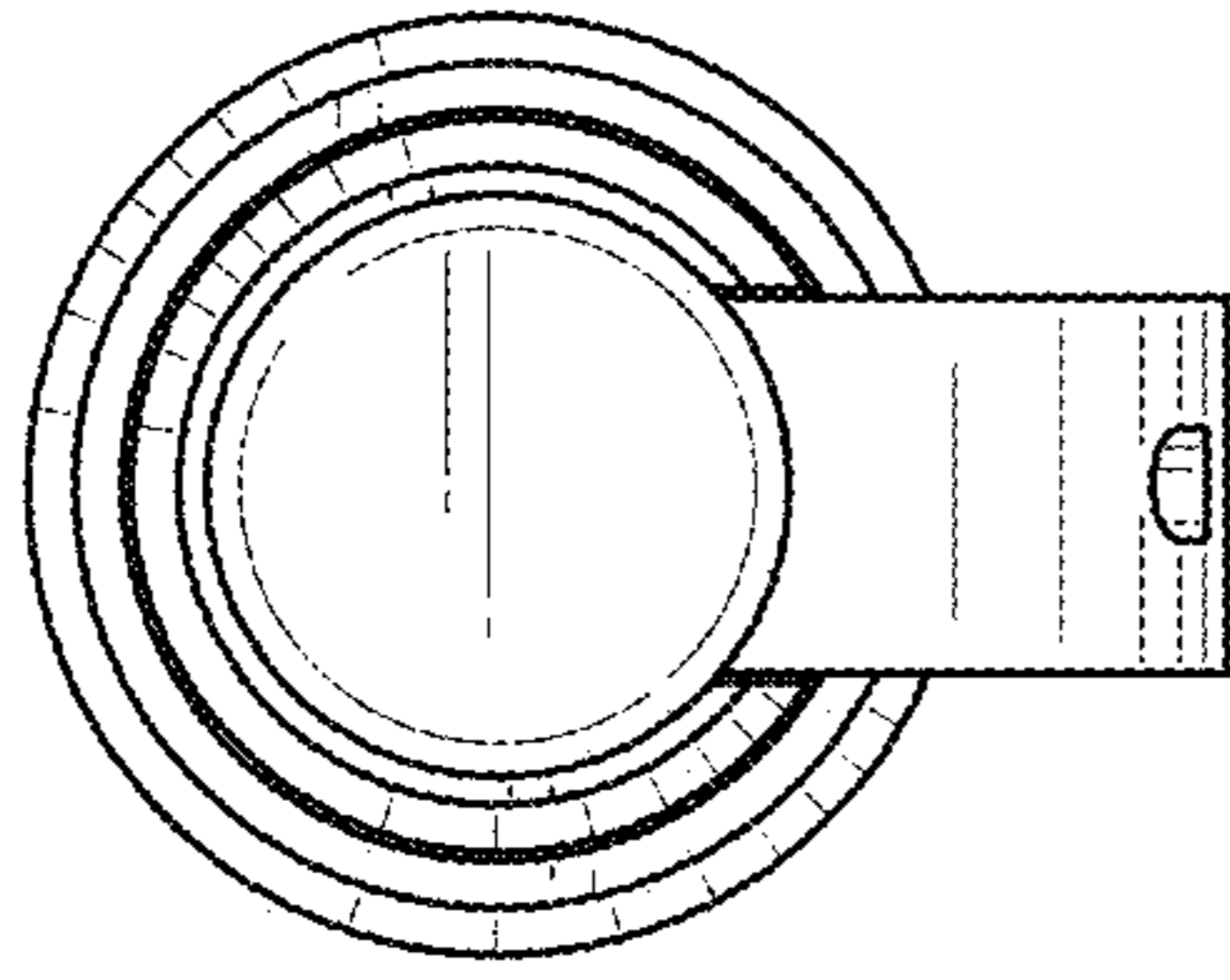


FIG. 4

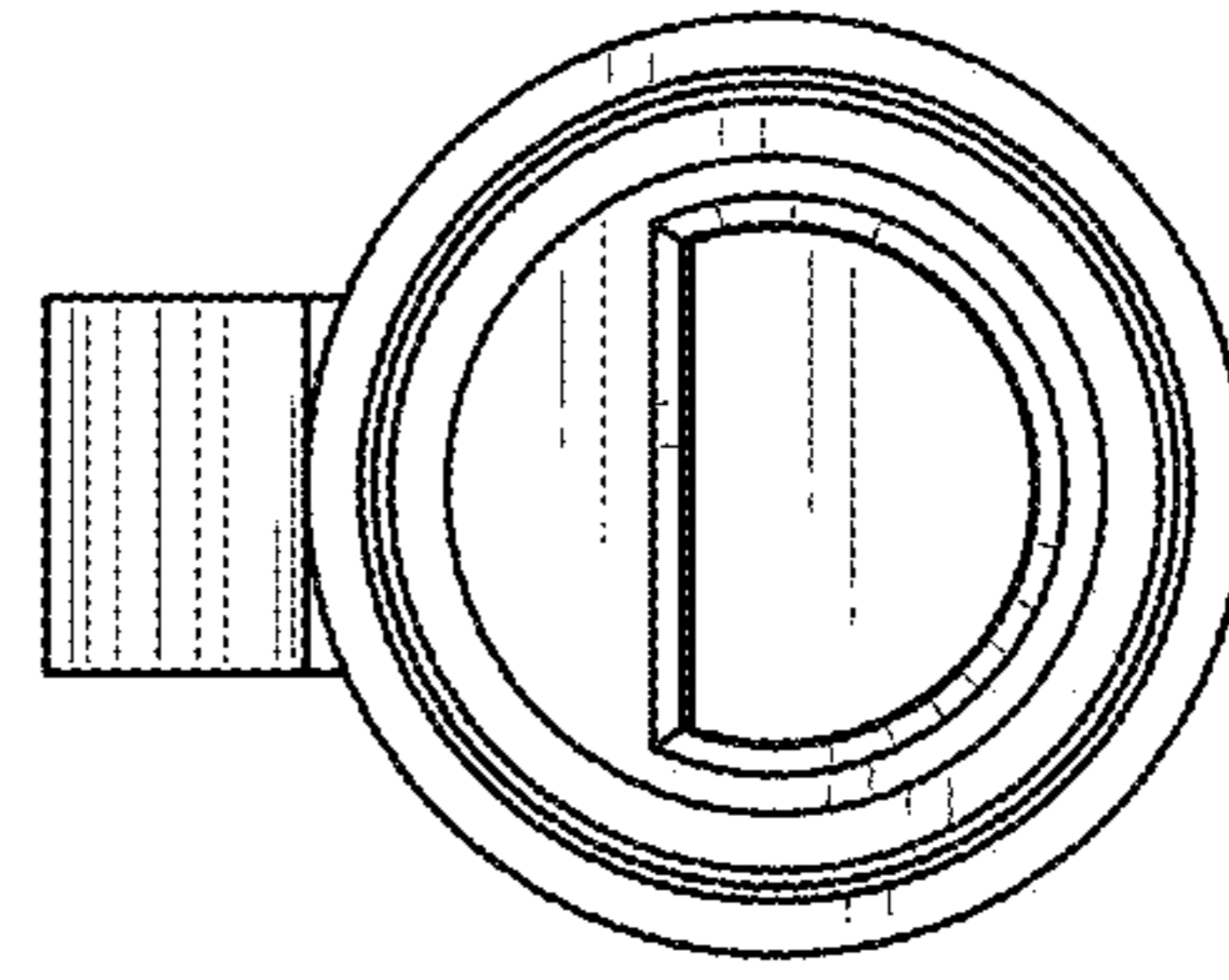


FIG. 5

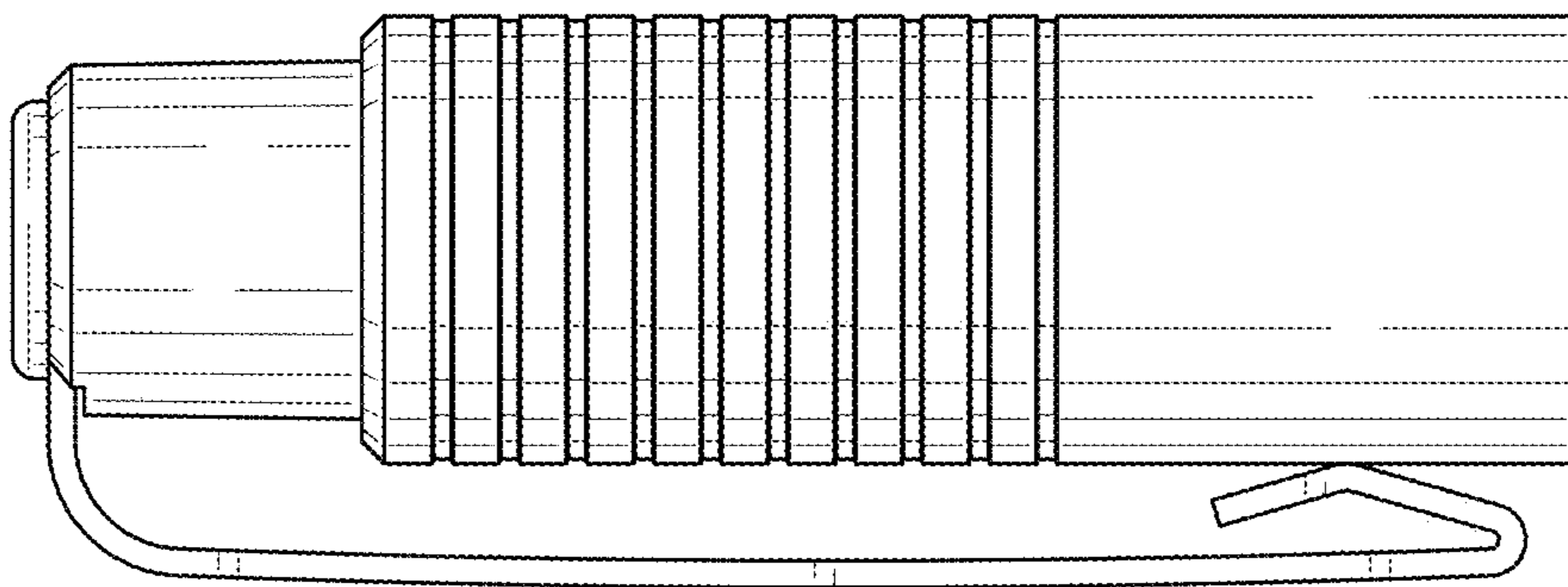


FIG. 6

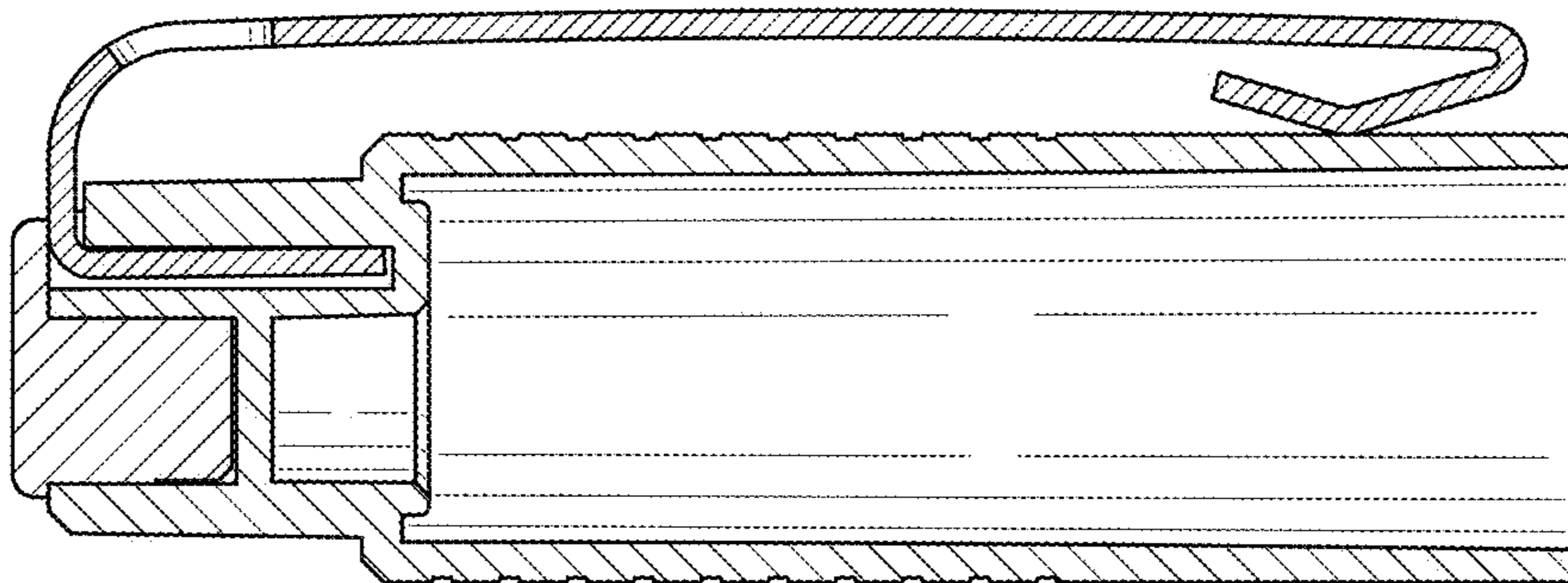


FIG. 7

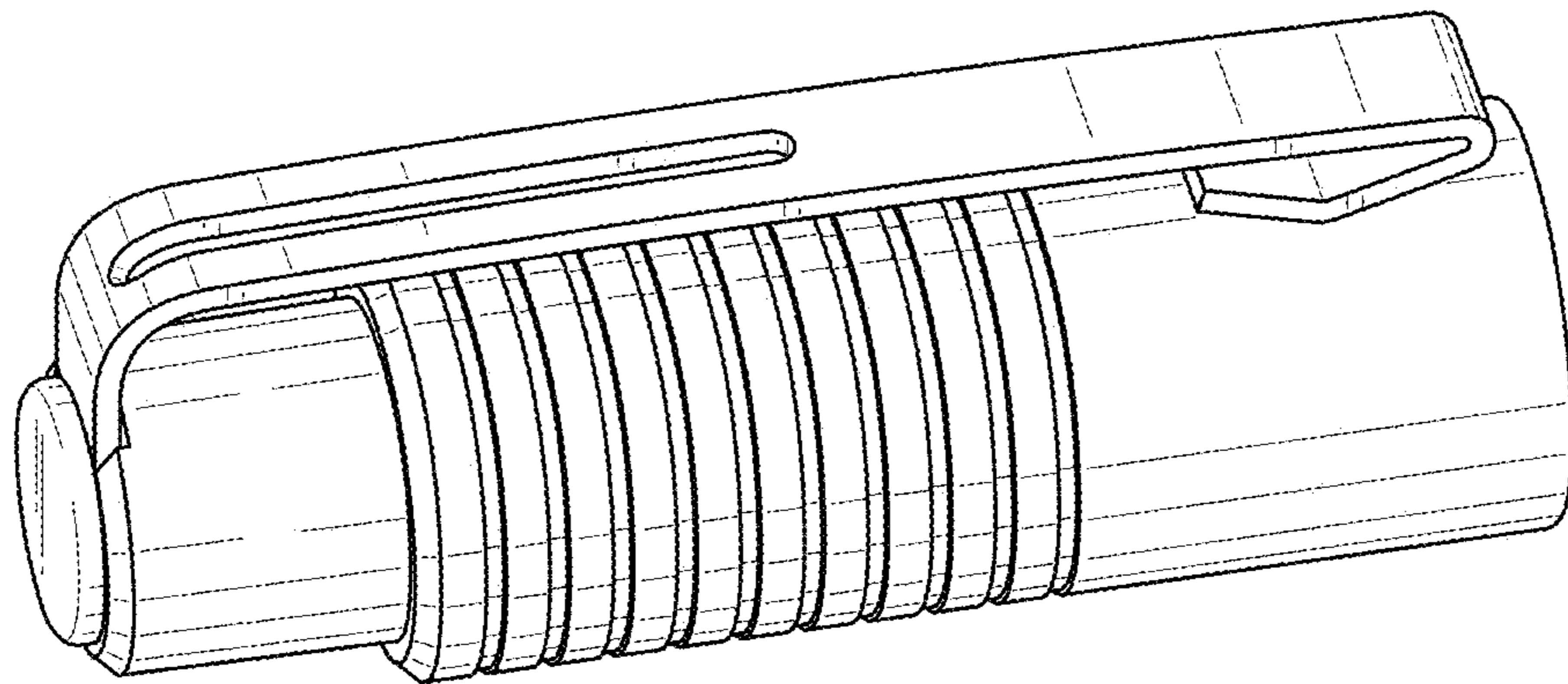


FIG. 8

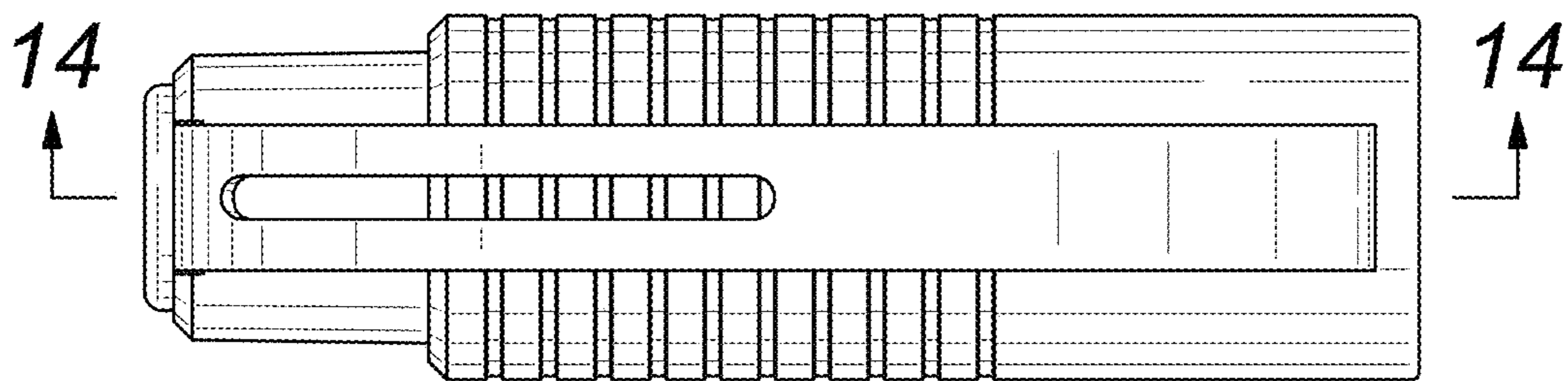


FIG. 9

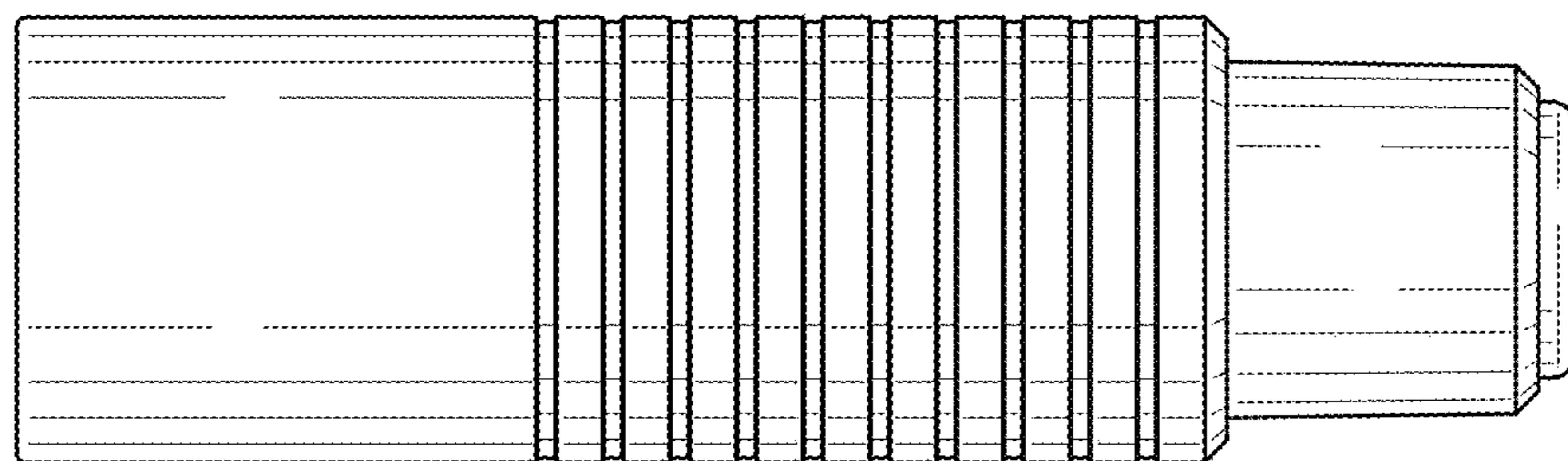


FIG. 10

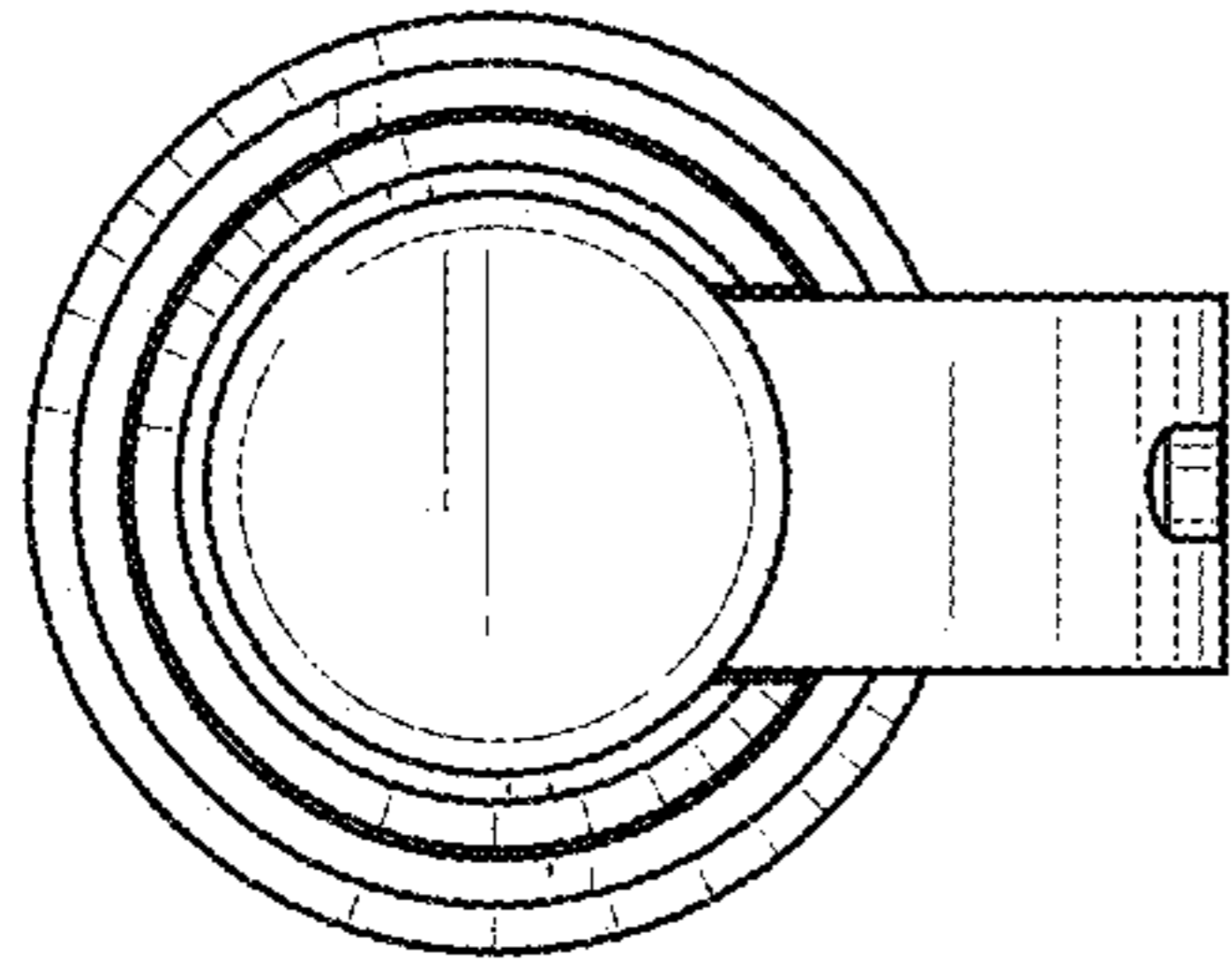


FIG. 11

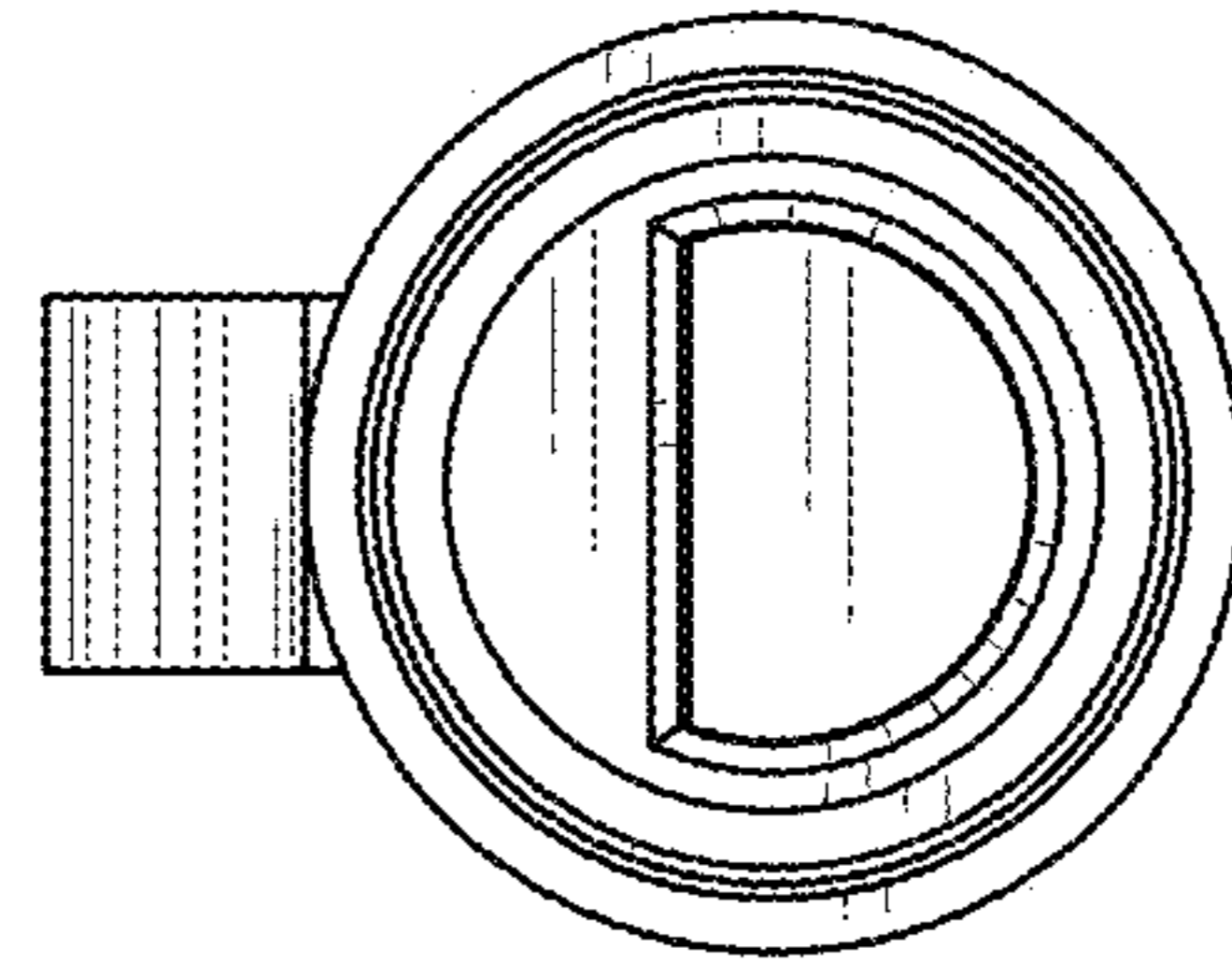


FIG. 12

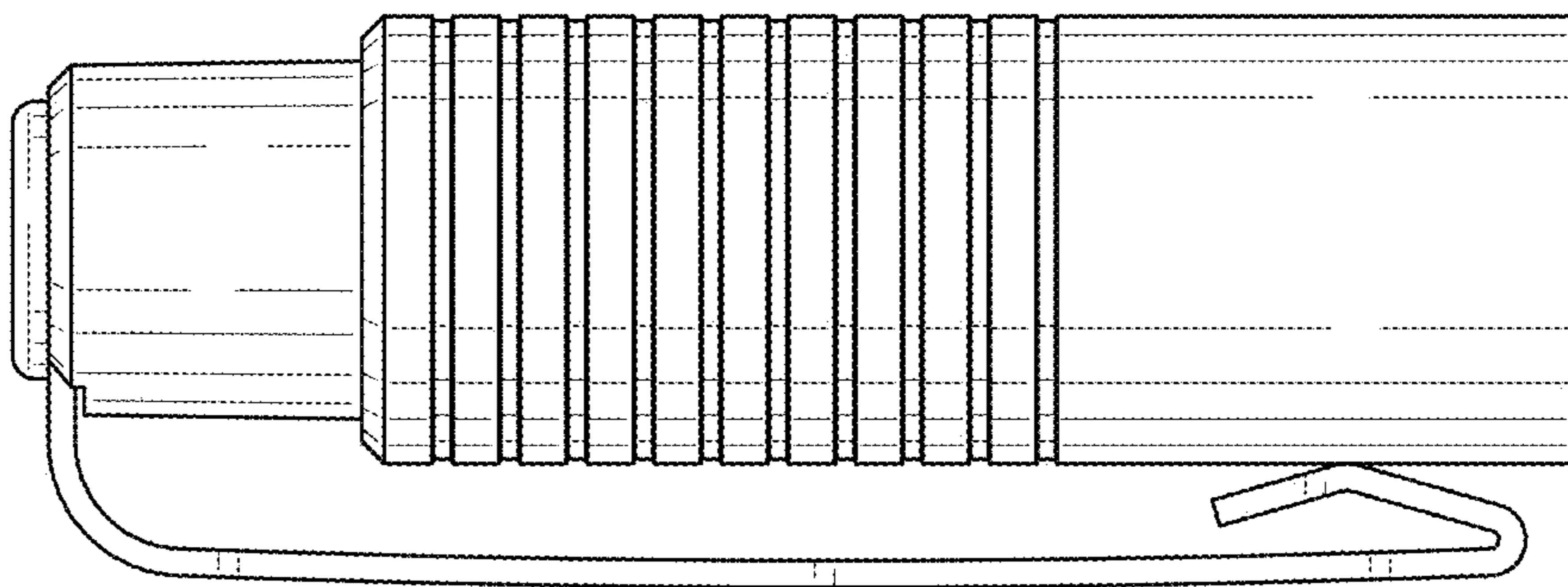


FIG. 13

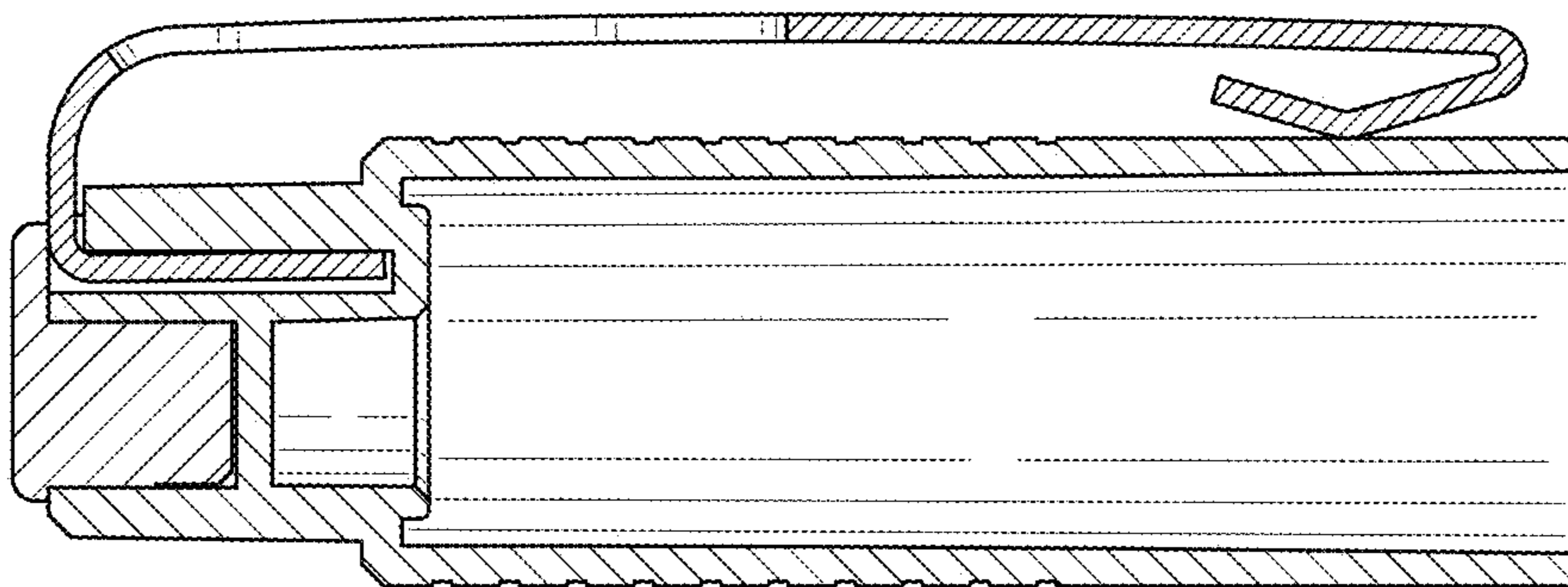


FIG. 14

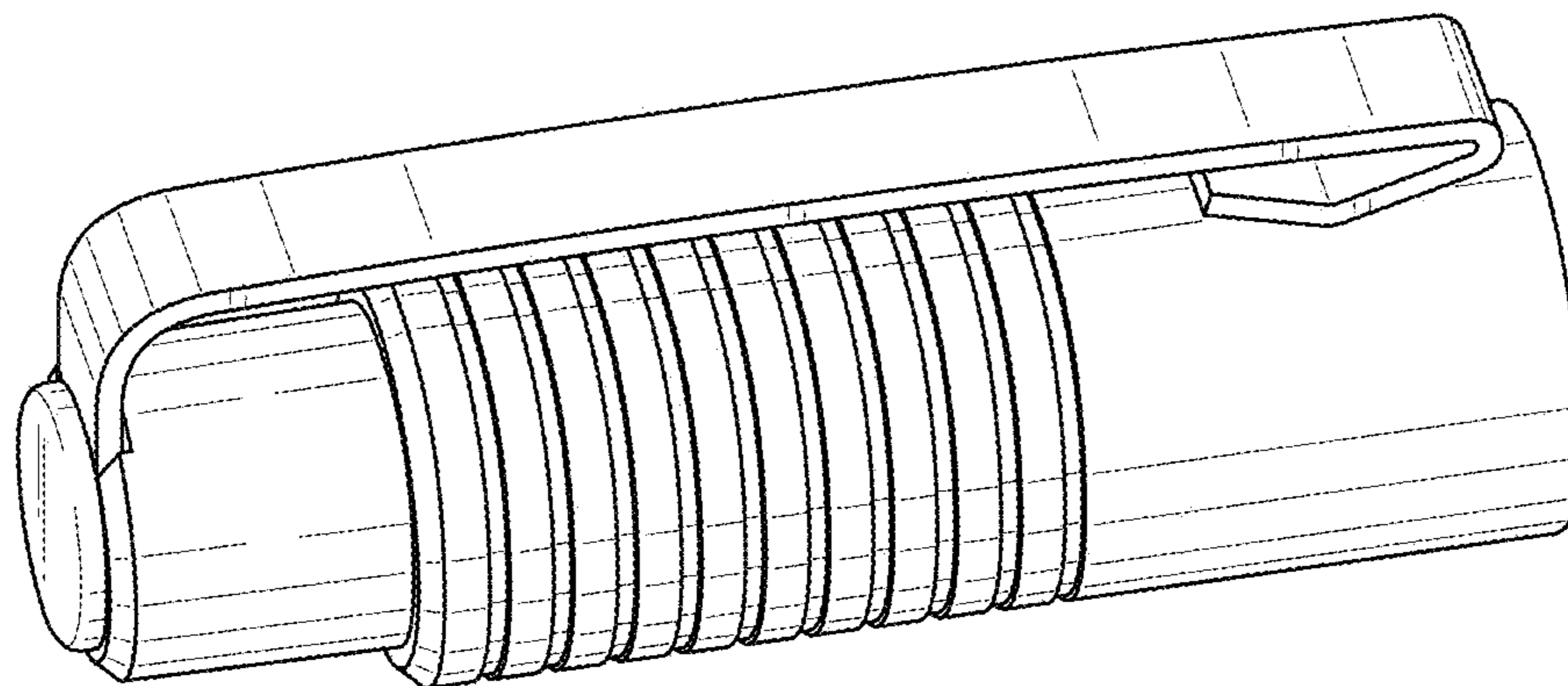


FIG. 15

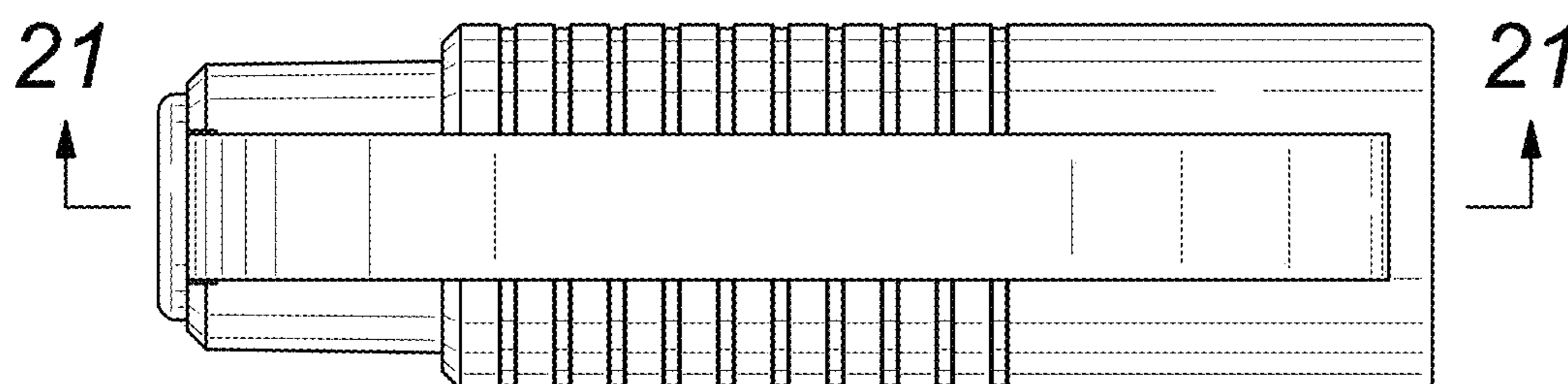


FIG. 16

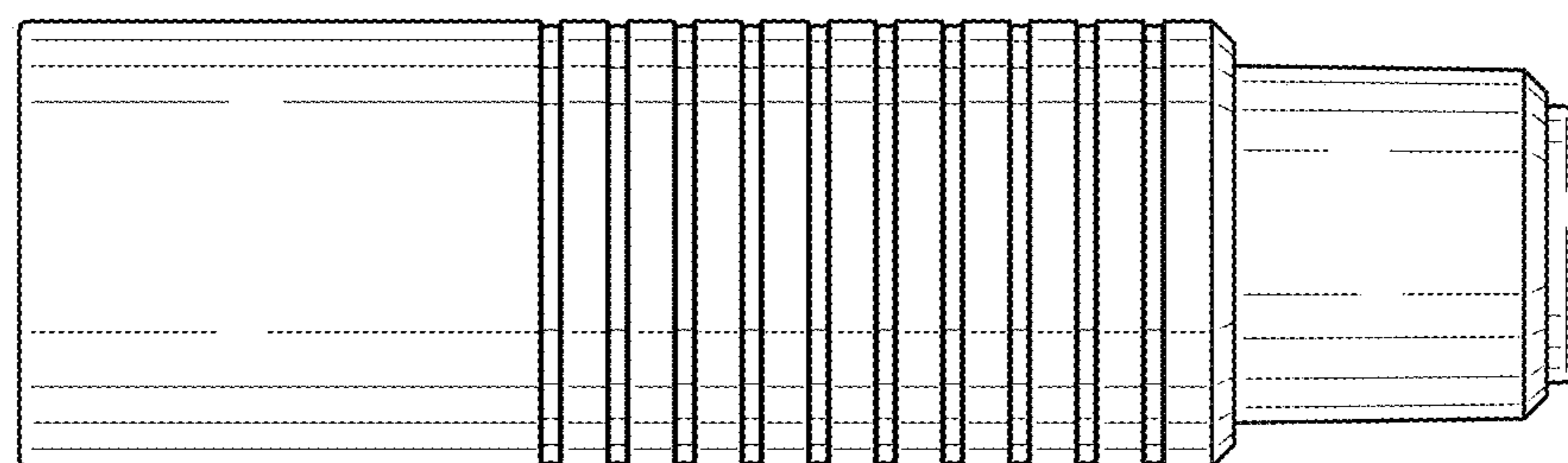


FIG. 17

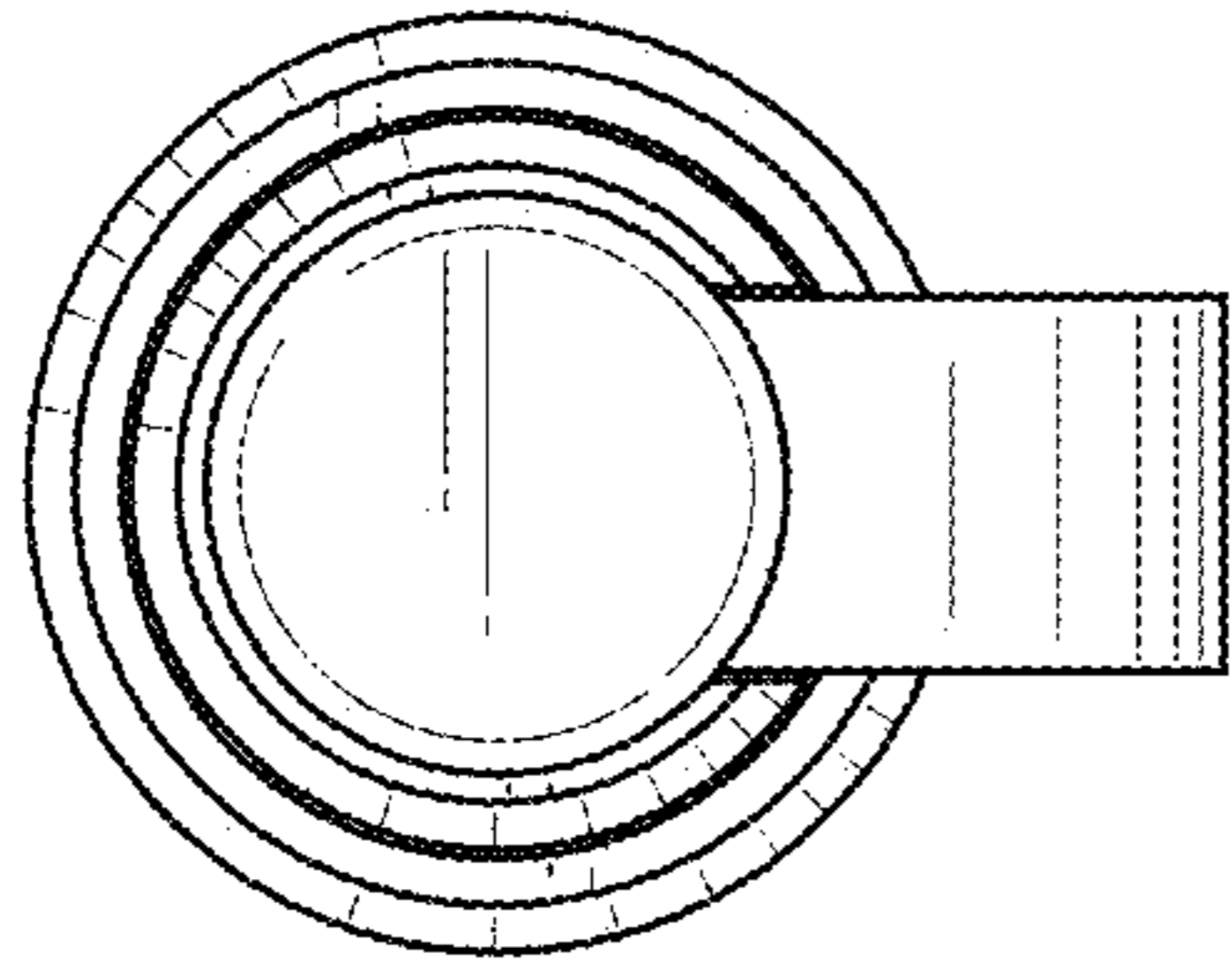


FIG. 18

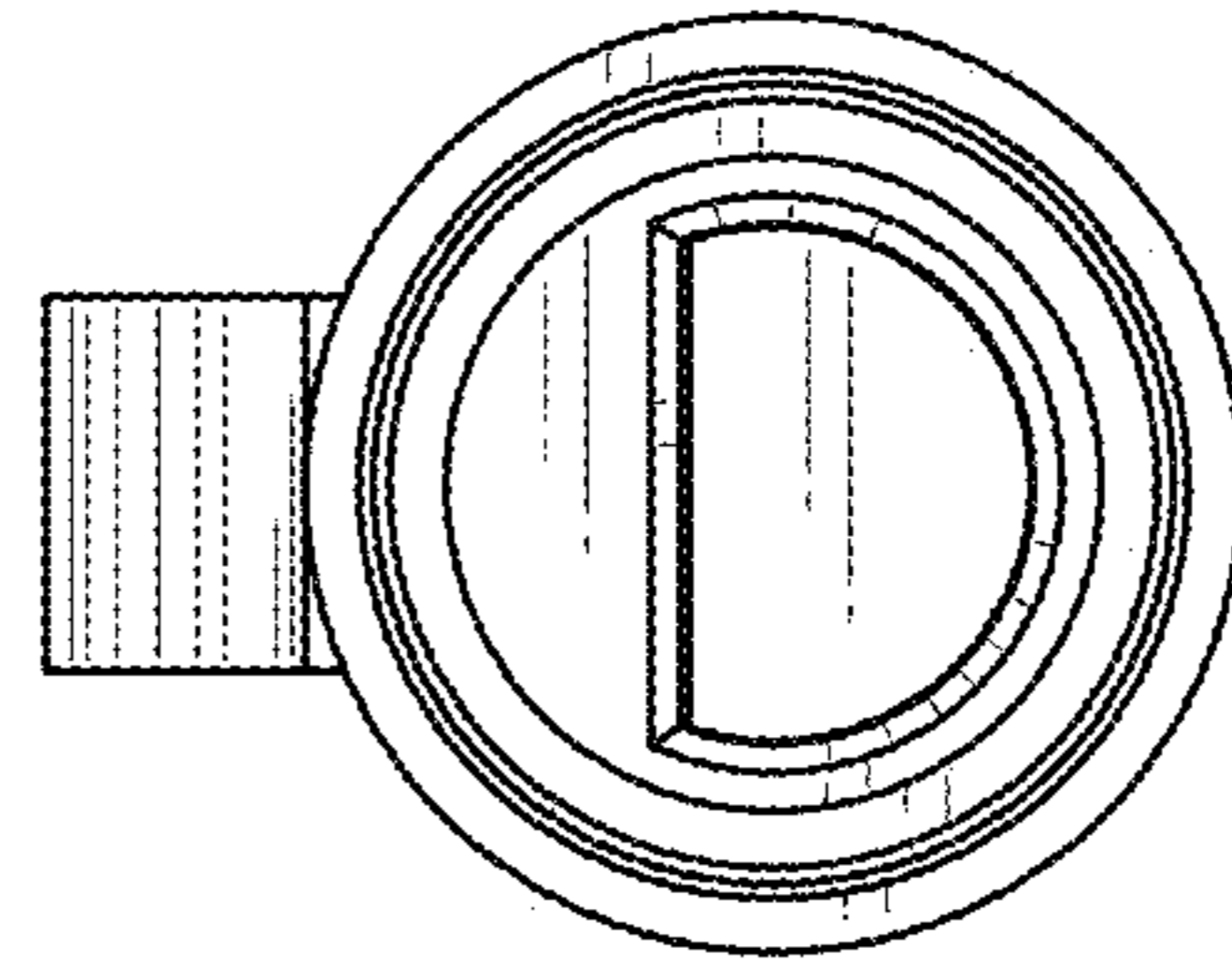


FIG. 19

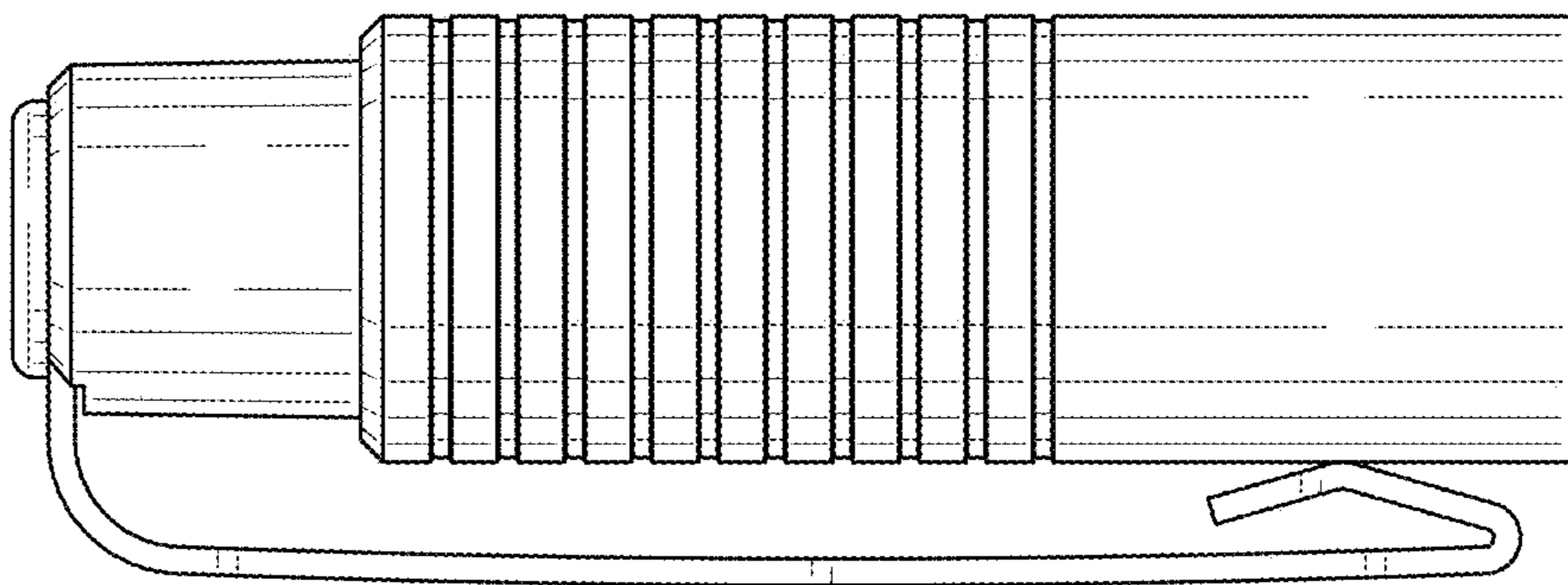


FIG. 20

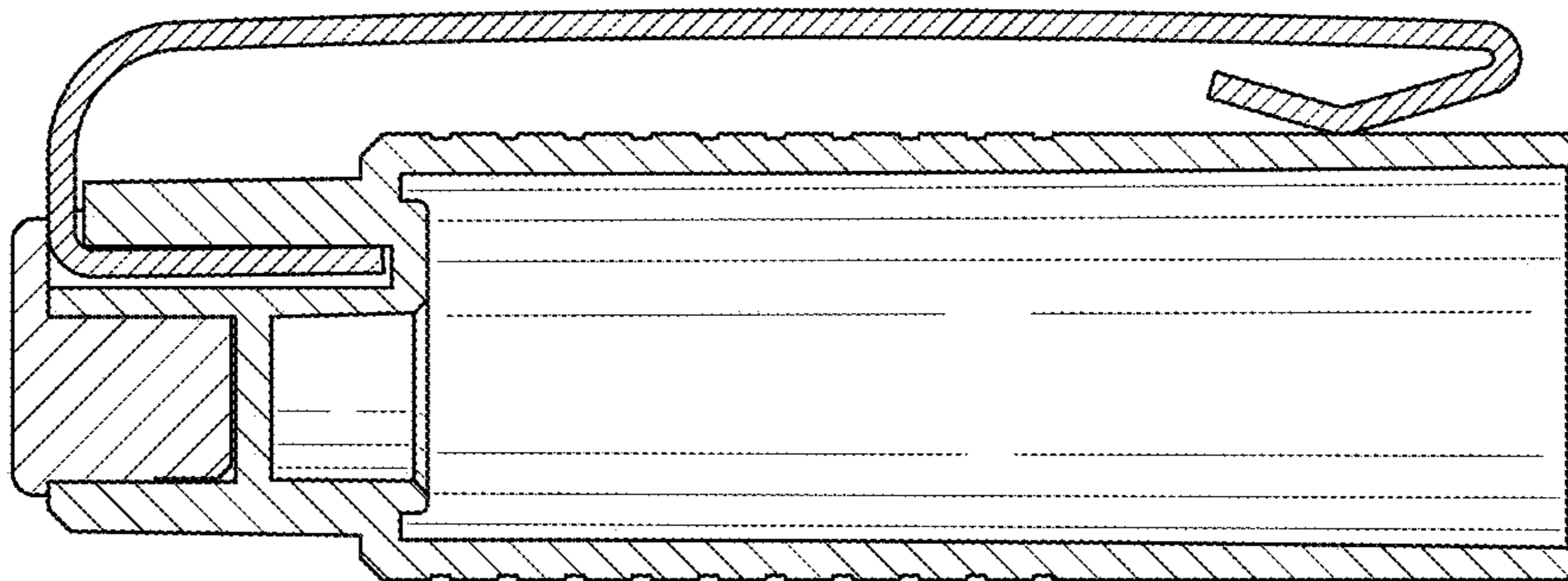


FIG. 21

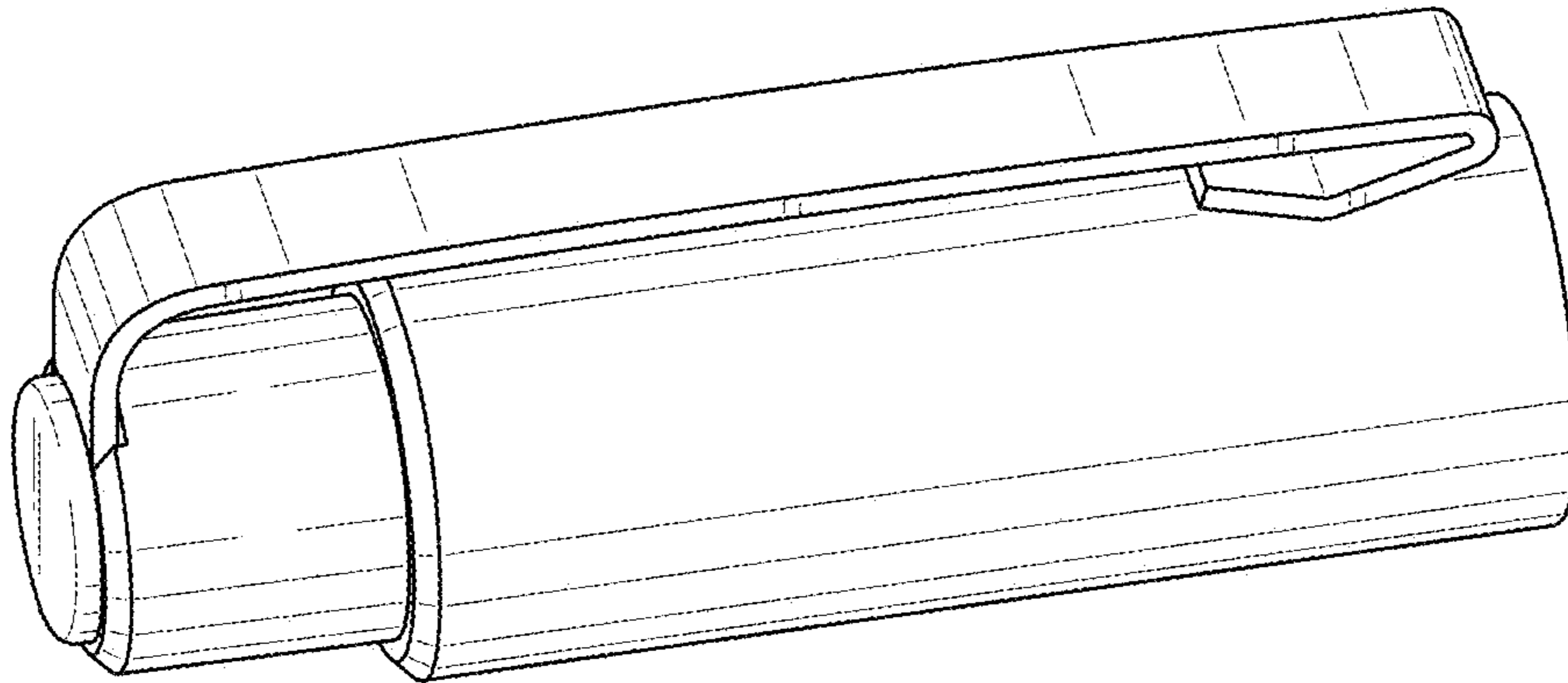


FIG. 22

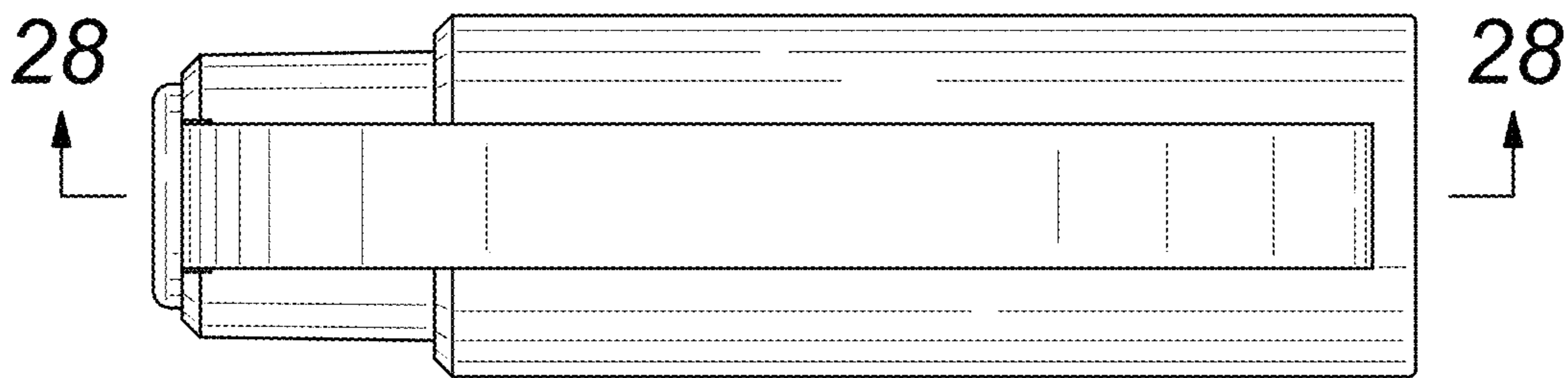


FIG. 23

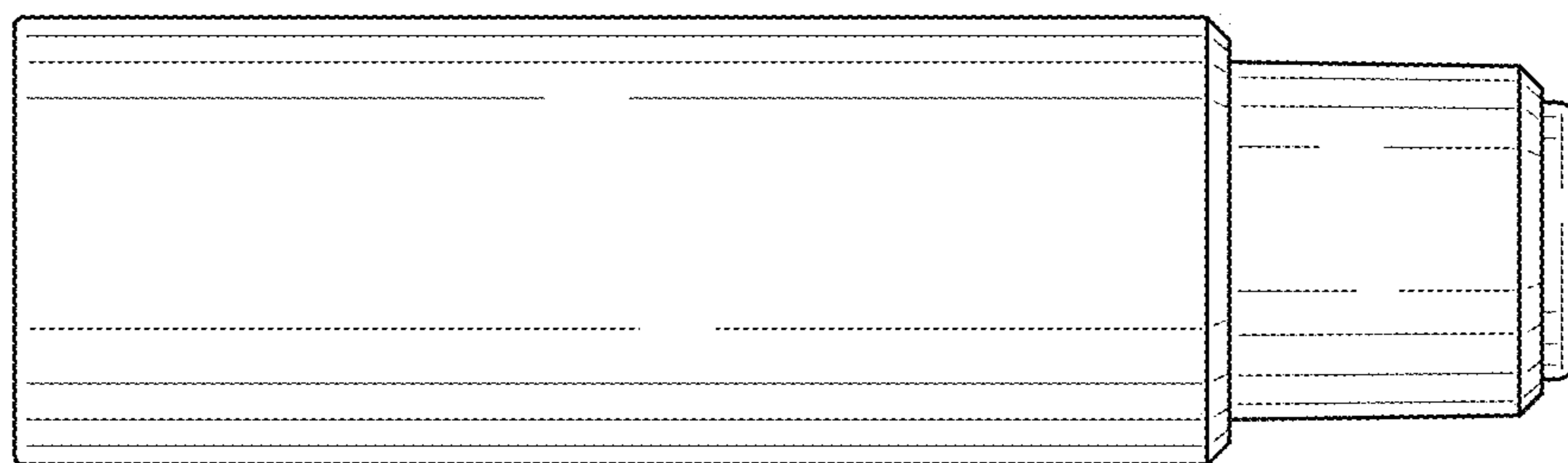


FIG. 24

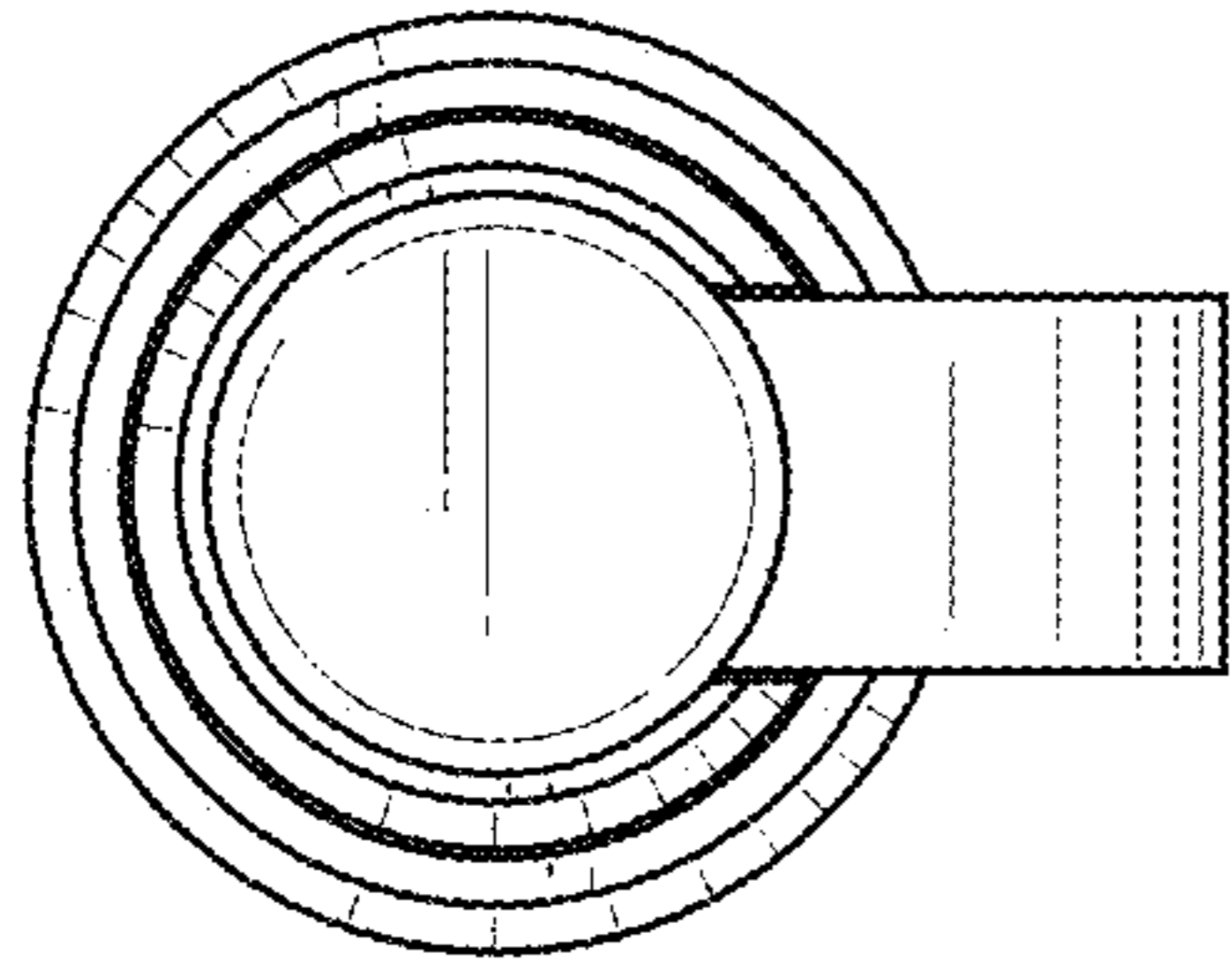


FIG. 25

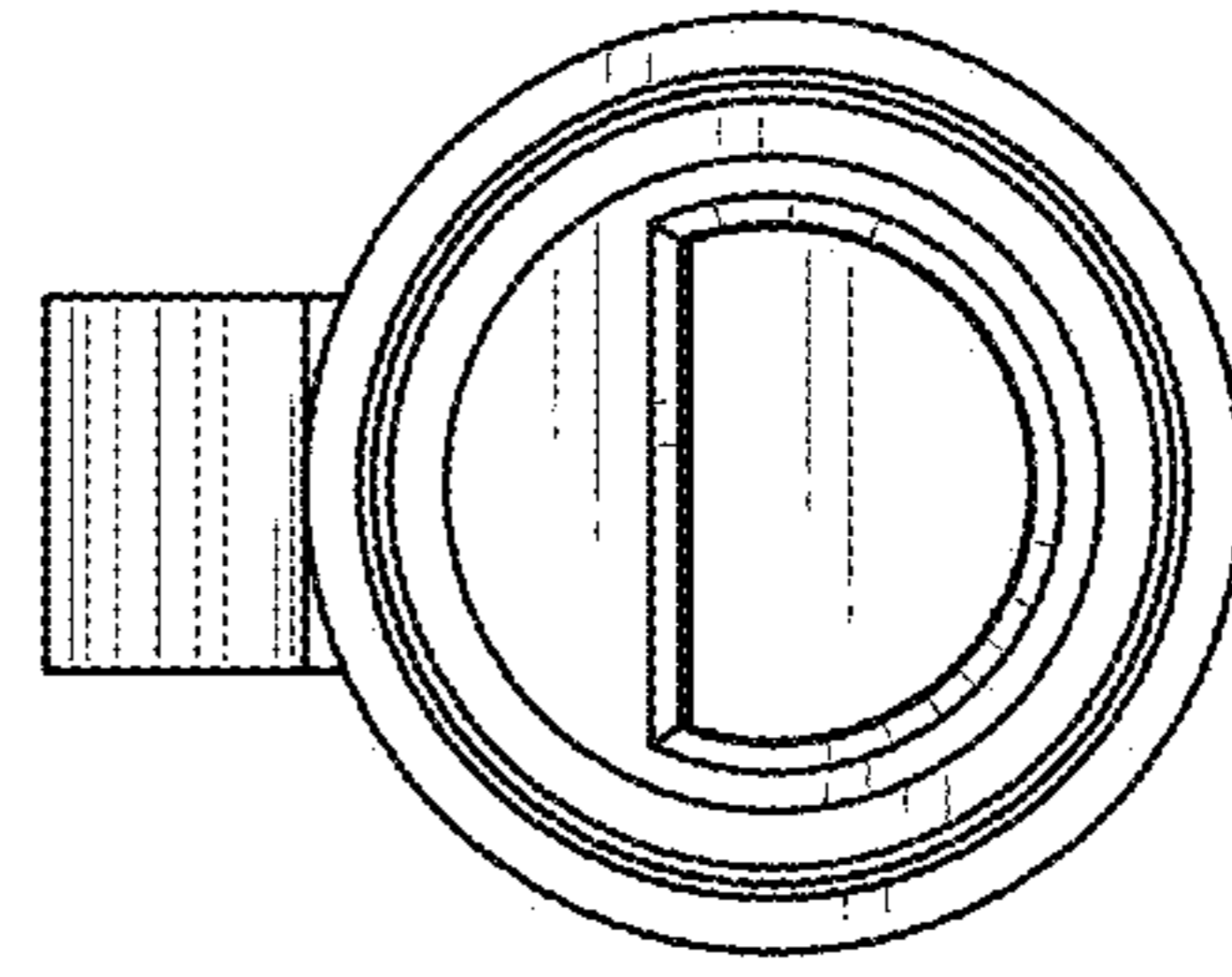


FIG. 26

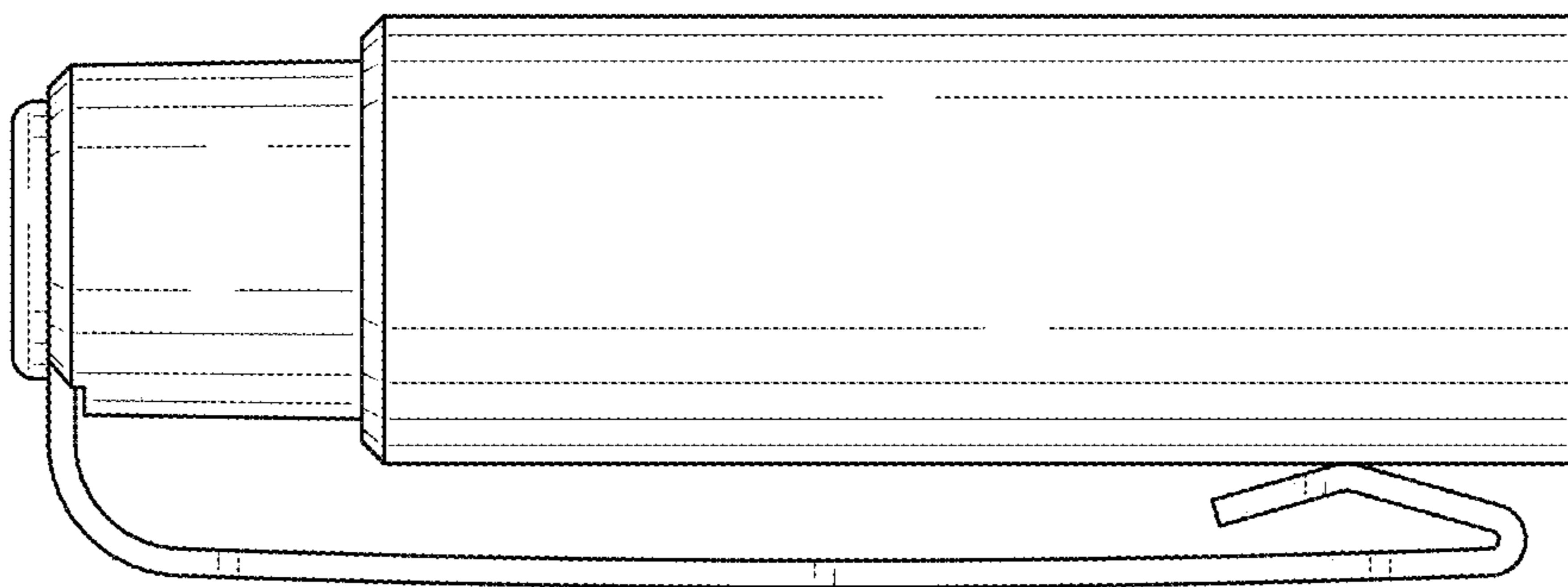


FIG. 27

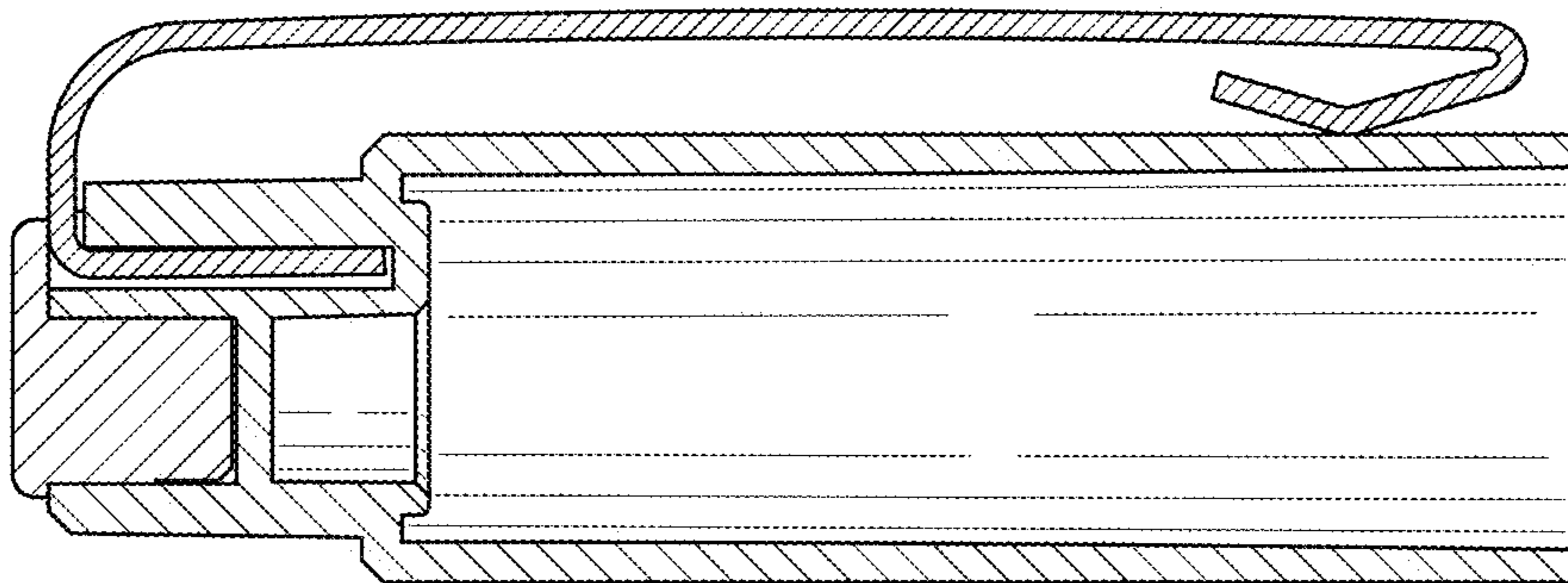


FIG. 28

UNITED STATES PATENT AND TRADEMARK OFFICE
CERTIFICATE OF CORRECTION

PATENT NO. : D902,312 S
APPLICATION NO. : 29/691345
DATED : November 17, 2020
INVENTOR(S) : Tomoaki Shibata

Page 1 of 2

It is certified that error appears in the above-identified patent and that said Letters Patent is hereby corrected as shown below:

On the Title Page

Column 2, DESCRIPTION, delete Lines 19-36.

Under the Description "1 Claim, 8 Drawing Sheets" should read --1 Claim, 4 Drawing Sheets-- as attached.

In the Drawings

Sheets 5 thru 8, consisting of FIGS. 15 through 28 should be deleted.

Signed and Sealed this
Twenty-first Day of December, 2021



Drew Hirshfeld
*Performing the Functions and Duties of the
Under Secretary of Commerce for Intellectual Property and
Director of the United States Patent and Trademark Office*

(12) **United States Design Patent** (10) **Patent No.:** **US D902,312 S**
 Shibata (45) **Date of Patent:** **** Nov. 17, 2020**

(54) **CAP FOR PEN**

DESCRIPTION

(71) Applicant: **Pentel Kabushiki Kaisha**, Tokyo (JP)
 (72) Inventor: **Tomoaki Shibata**, Tokyo (JP)
 (73) Assignee: **Pentel Kabushiki Kaisha**, Tokyo (JP)
 (**) Term: **15 Years**
 (21) Appl. No.: **29/691,345**
 (22) Filed: **May 15, 2019**

FIG. 1 is a perspective view of a cap for pen showing my new design in accordance with a first embodiment;
 FIG. 2 is a front view thereof;
 FIG. 3 is a rear view thereof;
 FIG. 4 is a left side view thereof;
 FIG. 5 is a right side view thereof;
 FIG. 6 is a top view thereof, with the bottom view being a mirror image thereof;
 FIG. 7 is a sectional view along a line 7-7 in FIG. 2;
 FIG. 8 is a perspective view of a cap for pen showing my new design in accordance with a second embodiment;
 FIG. 9 is a front view thereof;
 FIG. 10 is a rear view thereof;
 FIG. 11 is a left side view thereof;
 FIG. 12 is a right side view thereof;
 FIG. 13 is a top view thereof, with the bottom view being a mirror image thereof;
 FIG. 14 is a sectional view along a line 14-14 in FIG. 9 .

(30) **Foreign Application Priority Data**

Nov. 15, 2018 (JP) 2018-025025
 (51) **LOC (12) Cl.** 19-06
 (52) **U.S. Cl.**
 USPC D19/195; D19/916
 (58) **Field of Classification Search**
 USPC D19/115-204; D14/411
 CPC . B43K 5/005; B43K 7/12; B43K 8/04; B43K
 8/06; B43K 21/006; B43K 21/06
 See application file for complete search history.

(56) **References Cited**

U.S. PATENT DOCUMENTS

D143,049 S * 11/1945 Waldinger D19/168
 D143,052 S * 11/1945 Waldinger D19/168
 D147,107 S * 7/1947 Breitenstein D19/168
 D161,426 S * 1/1951 Covey et al. D19/168
 D258,217 S * 2/1981 Sakaoka D19/168
 D286,547 S * 11/1986 Koizumi D19/169
 D316,427 S * 4/1991 Tinz D19/166
 D322,516 S * 12/1991 Korper D19/66

(Continued)

Primary Examiner — Elizabeth A. Albert
 (74) *Attorney, Agent, or Firm* — Banner & Witcoff, Ltd.

(57) **CLAIM**

The ornamental design for a cap for pen, as shown and described.

1 Claim, 4 Drawing Sheets

