



US00D902311S

(12) **United States Design Patent**
Nakazawa

(10) **Patent No.:** **US D902,311 S**

(45) **Date of Patent:** **** Nov. 17, 2020**

(54) **BALLPOINT PEN**

(71) Applicant: **Pentel Kabushiki Kaisha**, Tokyo (JP)

(72) Inventor: **Hidekazu Nakazawa**, Tokyo (JP)

(73) Assignee: **Pentel Kabushiki Kaisha**, Tokyo (JP)

(**) Term: **15 Years**

(21) Appl. No.: **29/692,716**

(22) Filed: **May 28, 2019**

(30) **Foreign Application Priority Data**

Nov. 28, 2018	(JP)	2018-025789
Nov. 28, 2018	(JP)	2018-025790
Nov. 28, 2018	(JP)	2018-025791
Nov. 28, 2018	(JP)	2018-025792

(51) **LOC (12) Cl.** **19-06**

(52) **U.S. Cl.**
USPC **D19/171**; D19/914; D19/932

(58) **Field of Classification Search**
USPC D19/115-204; D14/411
CPC . B43K 5/005; B43K 7/12; B43K 8/04; B43K
8/06; B43K 21/006; B43K 21/06
See application file for complete search history.

(56) **References Cited**

U.S. PATENT DOCUMENTS

D443,642	S	*	6/2001	Tsuchikura	D19/117
D457,917	S	*	5/2002	Traut	D19/172
D460,112	S	*	7/2002	Keda	D19/171
D476,364	S	*	6/2003	Bain	D19/172
D494,219	S	*	8/2004	Arita	D19/174
D496,688	S	*	9/2004	Nishida	D19/172
D497,643	S	*	10/2004	Nishida	D19/174
D506,502	S	*	6/2005	Qiu	D19/172
D534,958	S	*	1/2007	Nishida	D19/174
D559,315	S	*	1/2008	Qiu	D19/172

D559,318	S	*	1/2008	Qiu	D19/172
D559,909	S	*	1/2008	Qiu	D19/172
D585,491	S	*	1/2009	Booker	D19/174
D626,598	S	*	11/2010	Casciotti	D19/201
D651,241	S	*	12/2011	Liang	D19/172
D651,245	S	*	12/2011	Yuan	D19/172
D662,984	S	*	7/2012	Yan	D19/172
D665,025	S	*	8/2012	Li	D19/172
D672,813	S	*	12/2012	Zhang	D19/172
D690,358	S	*	9/2013	Jin	D19/172
D692,483	S	*	10/2013	Laemle	D19/172
D692,484	S	*	10/2013	Laemle	D19/172
D708,263	S	*	7/2014	Laemle	D19/179
D708,670	S	*	7/2014	Zhang	D19/172
D832,922	S	*	11/2018	Bindra	D19/172
D849,838	S	*	5/2019	Bindra	D19/173

* cited by examiner

Primary Examiner — Elizabeth A. Albert

(74) *Attorney, Agent, or Firm* — Banner & Witcoff, Ltd.

(57) **CLAIM**

The ornamental design for a ballpoint pen, as shown and described.

DESCRIPTION

FIG. 1 is a perspective view of a ballpoint pen showing my new design;
FIG. 2 is a front view thereof;
FIG. 3 is a rear view thereof;
FIG. 4 is a left side view thereof;
FIG. 5 is a right side view thereof;
FIG. 6 is a bottom view thereof, with the top view being a mirror image thereof;
FIG. 7 is an enlarged left side view thereof;
FIG. 8 is an enlarged right side view thereof;
FIG. 9 is a sectional view along a line 9-9 in FIG. 2; and,
FIG. 10 is an enlarged sectional view along a line 10-10 in FIG. 2.

1 Claim, 8 Drawing Sheets

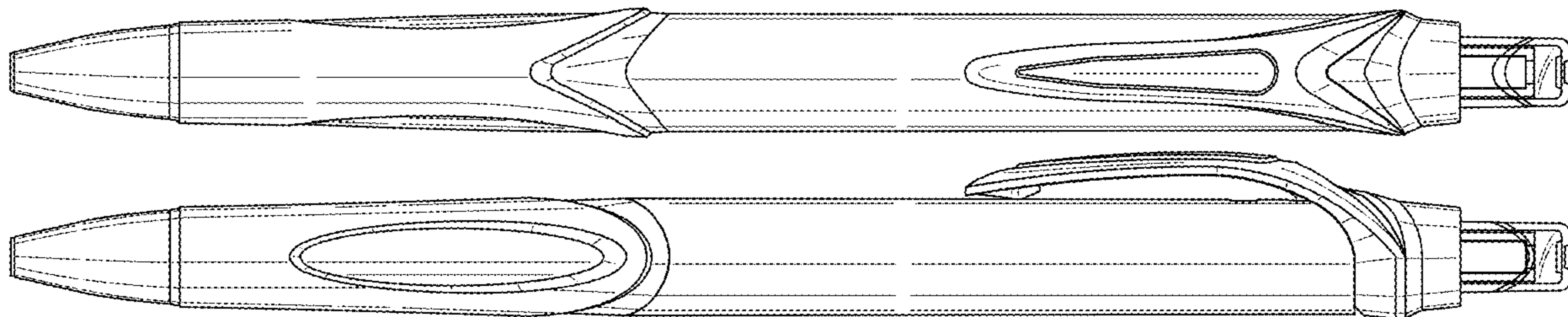


FIG. 1

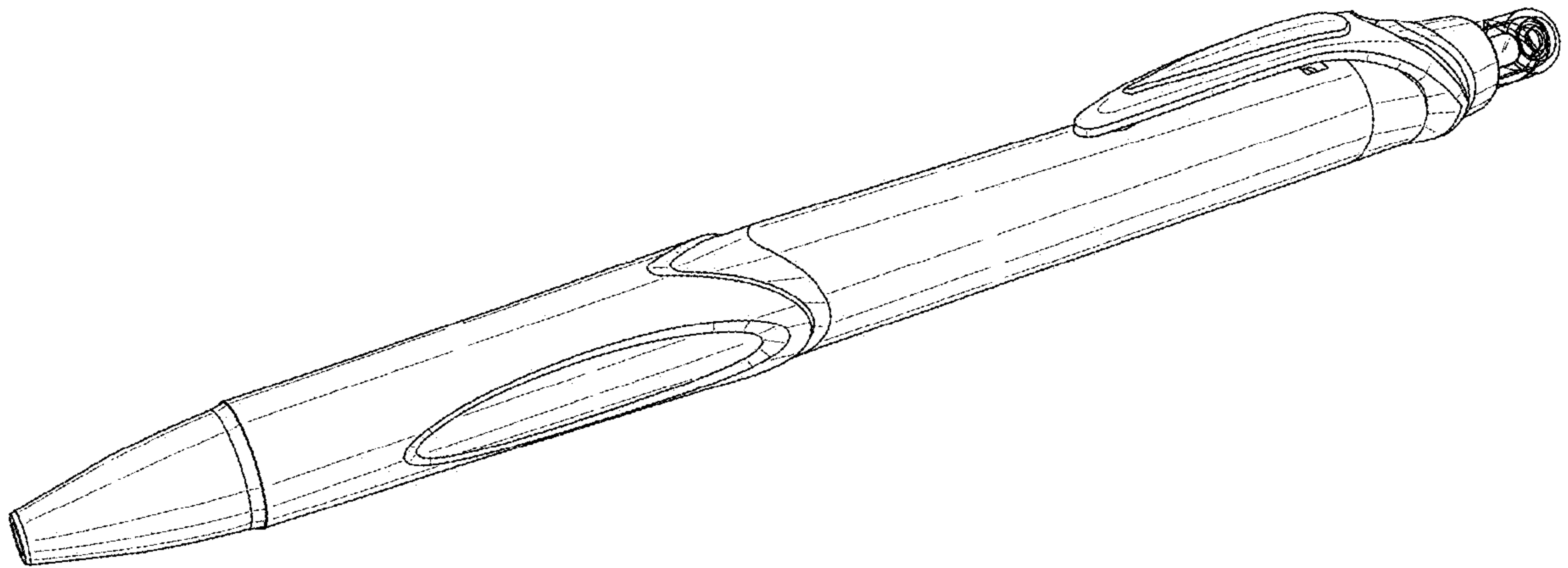


FIG. 2

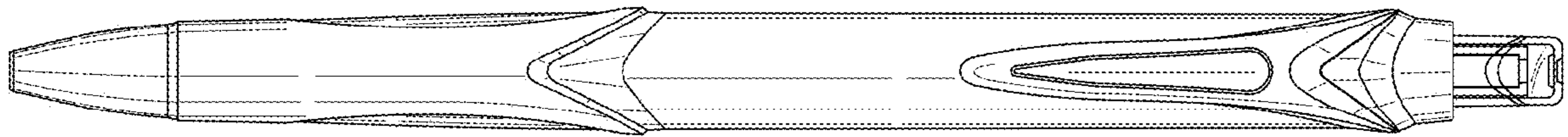


FIG. 3

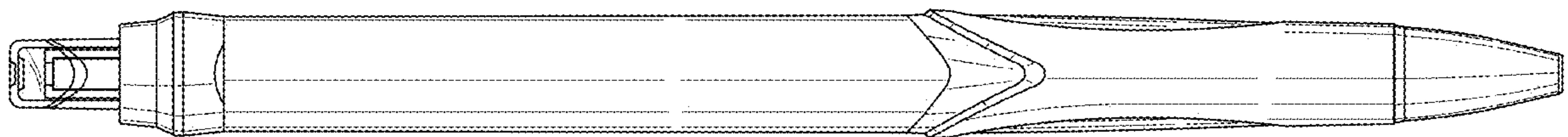


FIG. 4

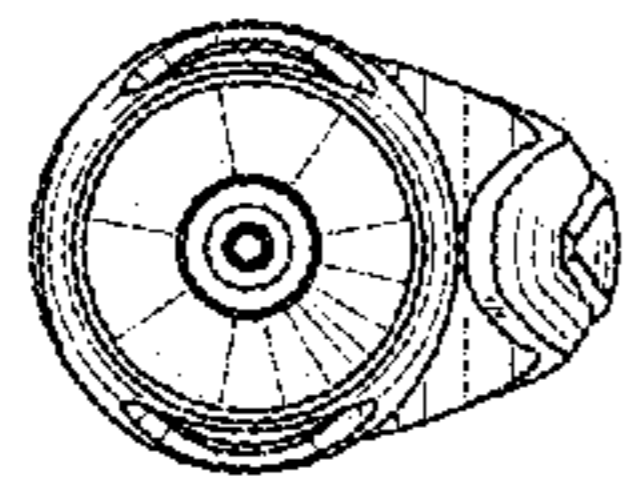


FIG. 5

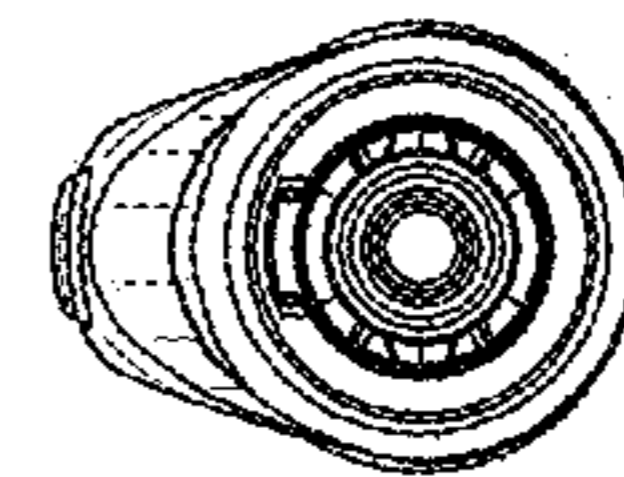


FIG. 6

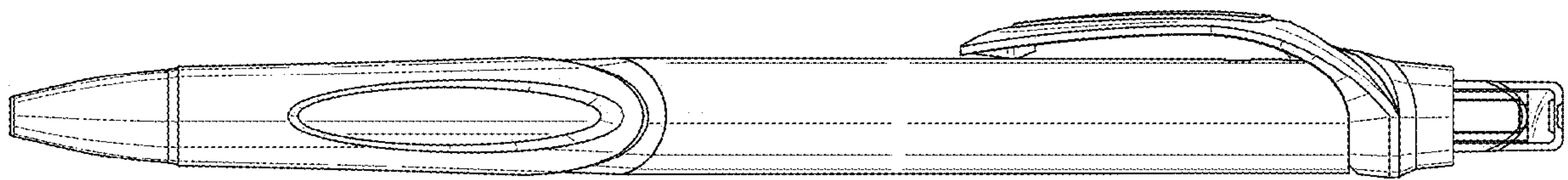


FIG. 7

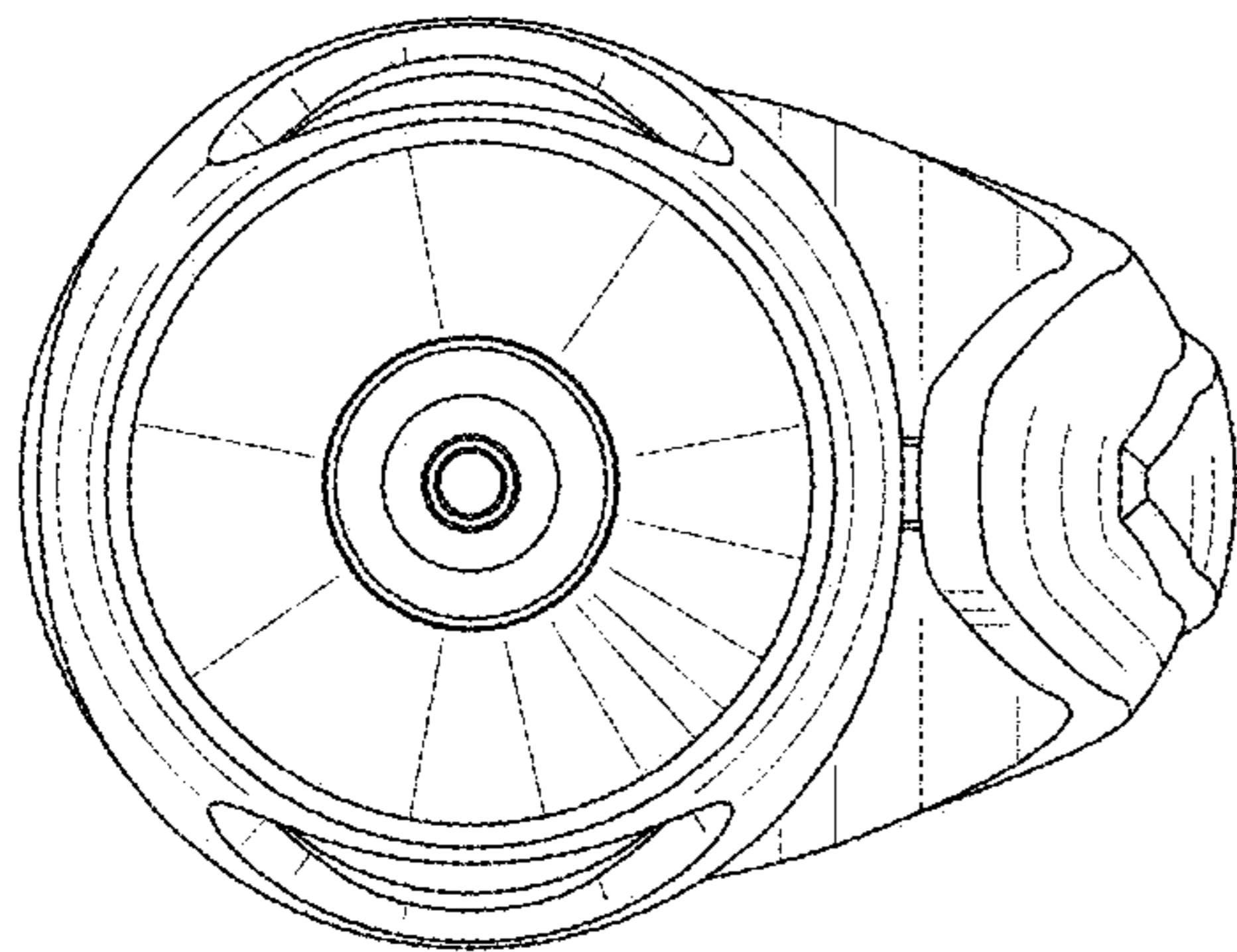


FIG. 8

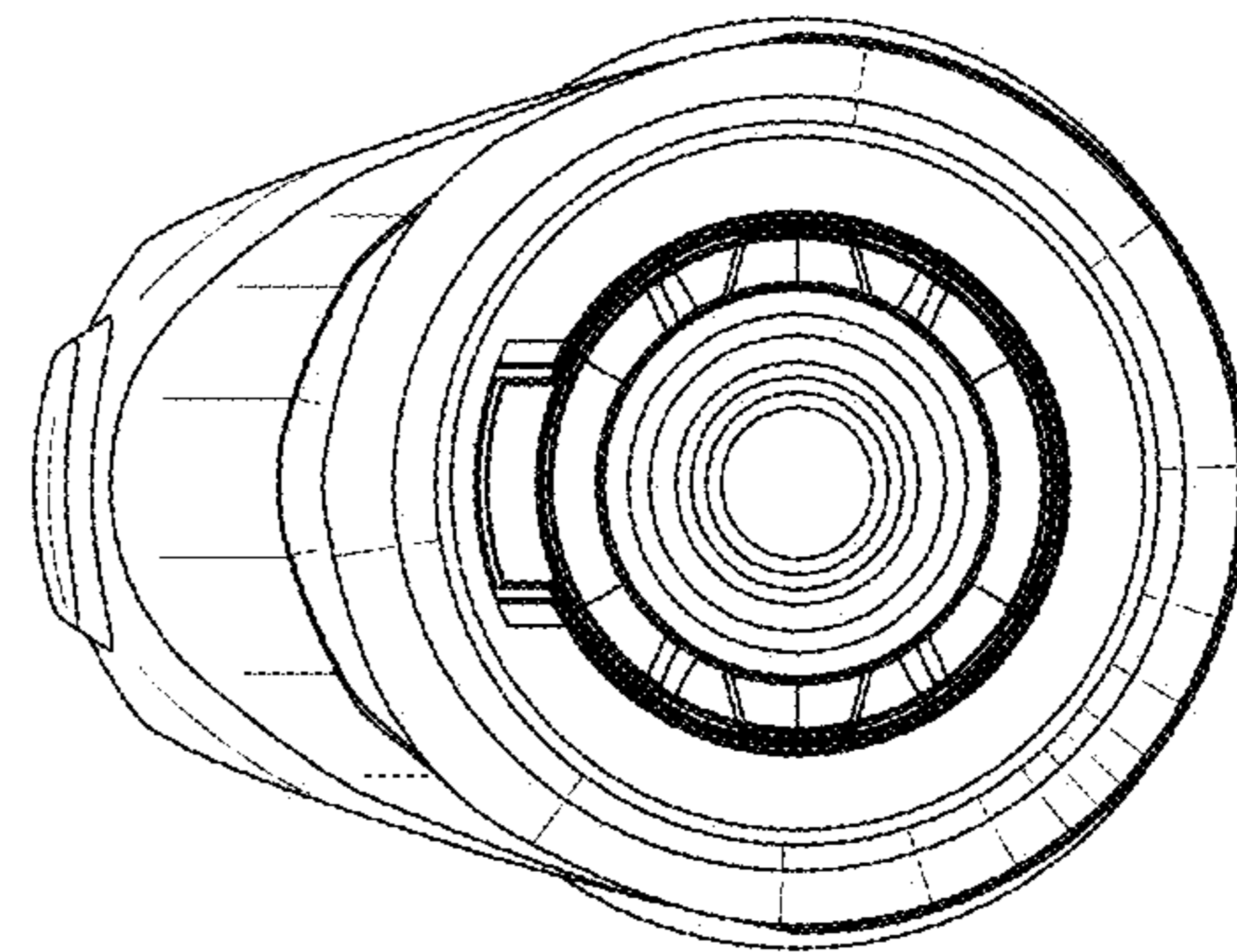


FIG. 9

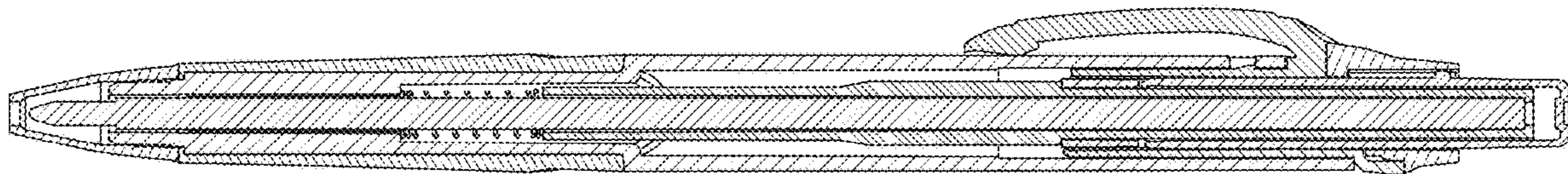


FIG. 10

