



US00D902309S

(12) **United States Design Patent**
Lipscomb et al.

(10) **Patent No.:** **US D902,309 S**

(45) **Date of Patent:** **** Nov. 17, 2020**

- (54) **DRAWING TOOL**
- (71) Applicant: **Fiskars Finland Oy Ab**, Helsinki (FI)
- (72) Inventors: **Daniel J. Lipscomb**, Prairie Du Sac, WI (US); **Douglas R. Nelson**, Madison, WI (US); **Stephen P. Dechant**, Waunakee, WI (US); **Emery K. Weber**, Madison, WI (US)
- (73) Assignee: **FISKARS FINLAND OY AB**, Helsinki (FI)
- (**) Term: **15 Years**
- (21) Appl. No.: **29/699,213**
- (22) Filed: **Jul. 23, 2019**
- (30) **Foreign Application Priority Data**
 - Jun. 18, 2019 (EM) 006582847
- (51) **LOC (12) Cl.** **19-06**
- (52) **U.S. Cl.**
USPC **D19/108**
- (58) **Field of Classification Search**
USPC D19/108
CPC .. B43L 7/005; B43L 7/007; B43L 7/08; B43L 11/00; B43L 13/00; B43L 13/02; B43L 13/10; B43L 15/00; B29C 64/118; B29C 48/02
See application file for complete search history.

- 781,737 A * 2/1905 Pauli B43L 7/005 33/418
- 1,379,124 A * 5/1921 Read B43L 13/002 33/472
- 1,408,800 A * 3/1922 Cole G01B 3/56 403/85
- D252,380 S * 7/1979 Kupperman D10/61
- 4,360,975 A * 11/1982 Wurtz B43L 13/14 33/432
- 5,160,231 A * 11/1992 Miller B25H 1/0042 408/110
- D339,376 S * 9/1993 Abe D10/73
- D403,018 S * 12/1998 Powell D19/59
- 7,254,898 B1 * 8/2007 Armstrong B43L 7/007 33/419
- 8,020,818 B2 * 9/2011 Chou F16M 11/10 248/176.1
- D723,089 S * 2/2015 Teppan D16/242
- 9,453,522 B2 * 9/2016 Yu F16B 2/18

(Continued)

Primary Examiner — Elizabeth A. Albert
(74) *Attorney, Agent, or Firm* — Leason Ellis LLP

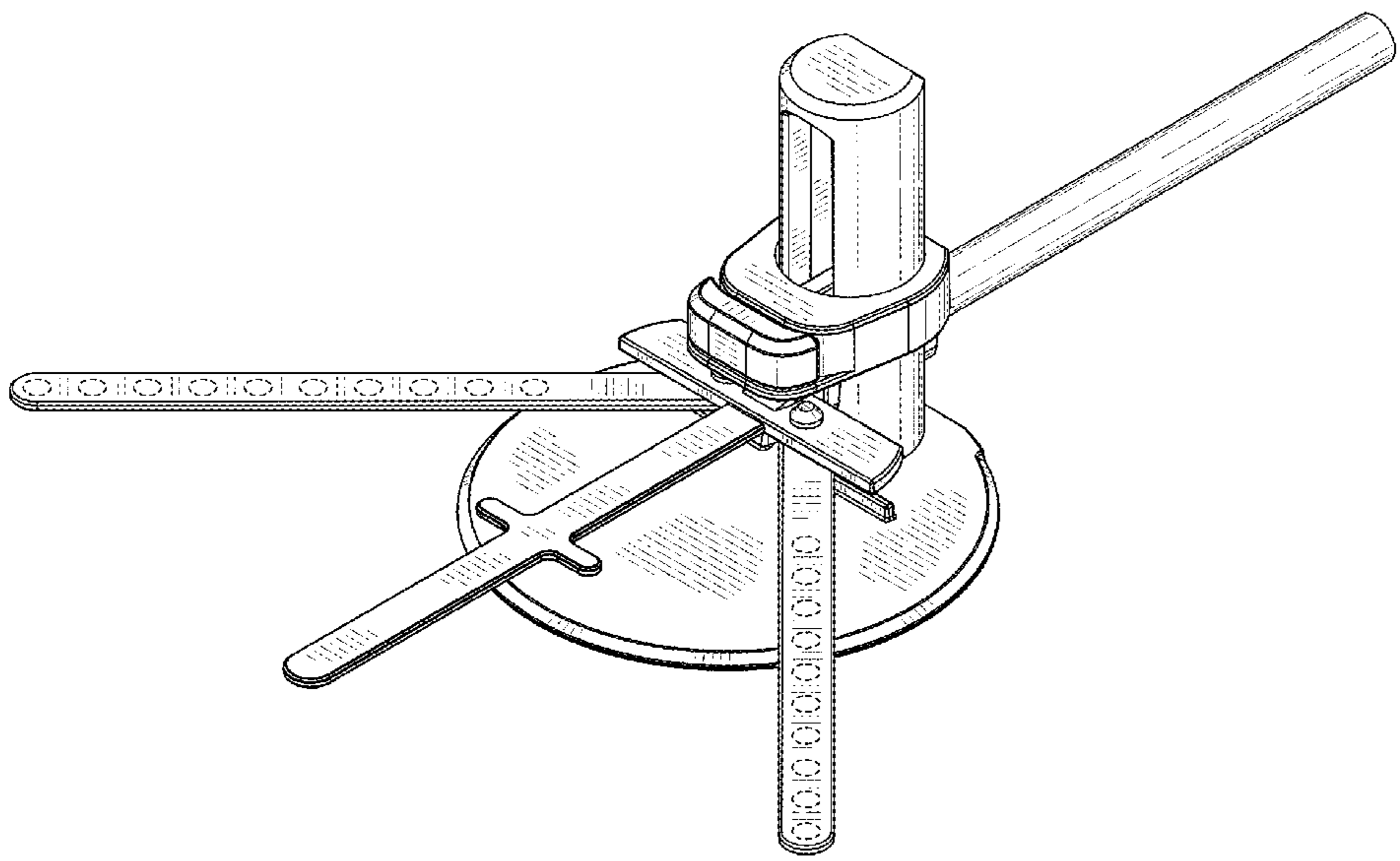
(57) **CLAIM**

The ornamental design for a drawing tool, as shown and described.

DESCRIPTION

FIG. 1 is a perspective view of a drawing tool according to our new design;
FIG. 2 is a front view thereof;
FIG. 3 is a rear view thereof;
FIG. 4 is a left, side view thereof;
FIG. 5 is a right, side view thereof;
FIG. 6 is a top plan view thereof; and,
FIG. 7 is a bottom plan view thereof.
The broken-line showing of portions of the tool is included for the purpose of illustrating environmental structure and forms no part of the claimed design.

1 Claim, 7 Drawing Sheets



(56)

References Cited

U.S. PATENT DOCUMENTS

2007/0007423 A1* 1/2007 Wang F16M 11/18
248/454
2007/0096002 A1* 5/2007 Knight A47B 23/043
248/460

* cited by examiner

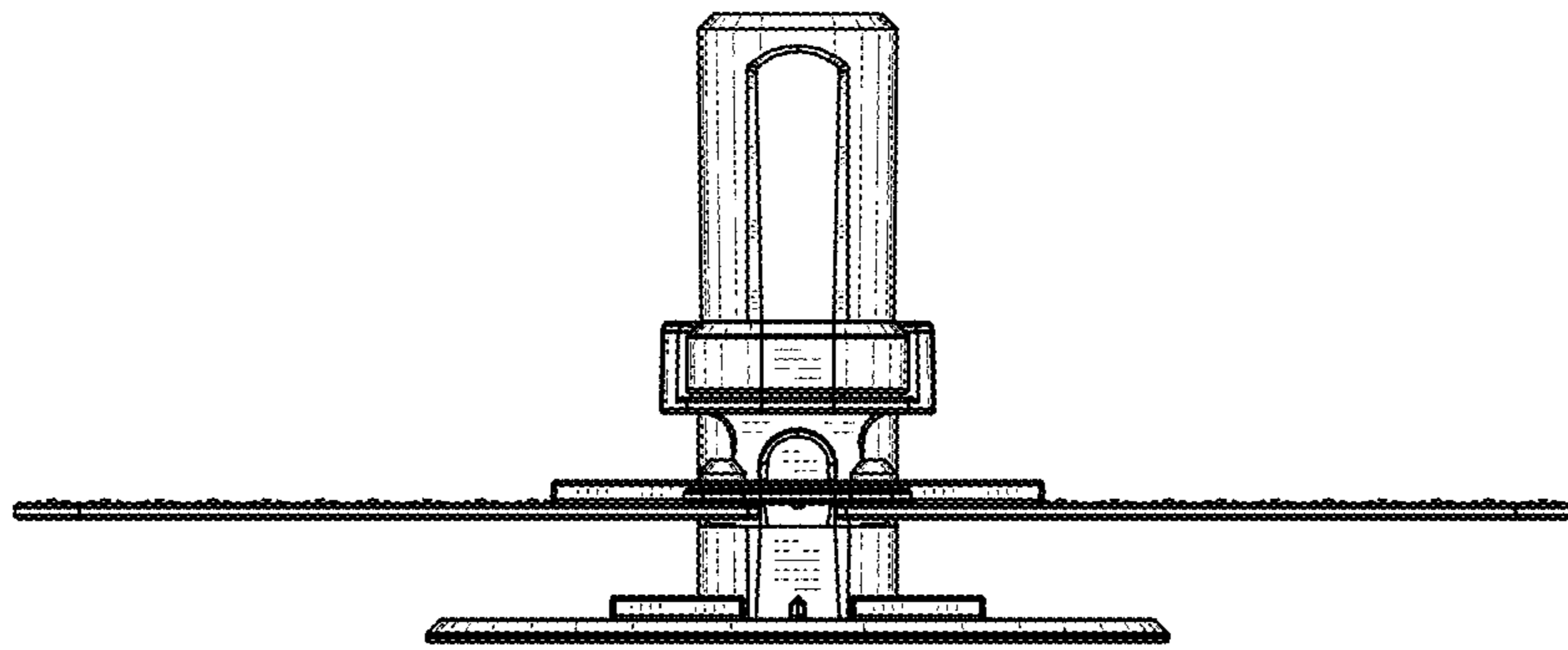


FIG. 2

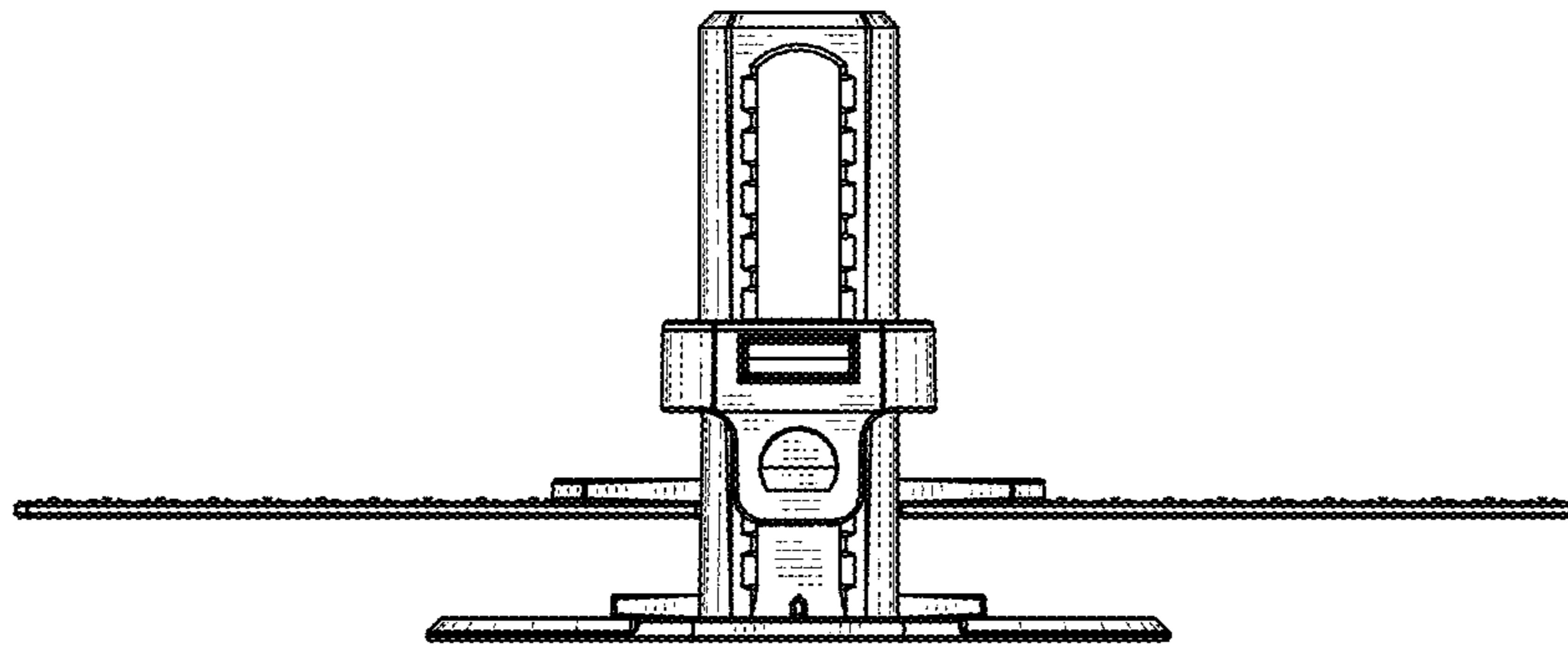


FIG. 3

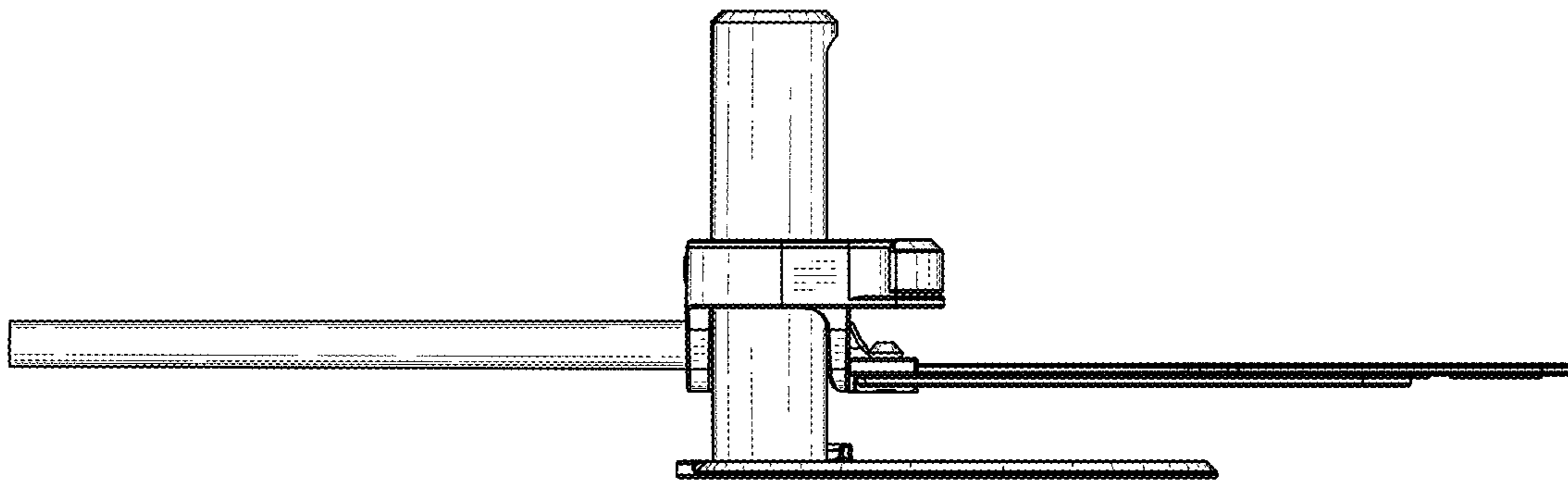


FIG. 4

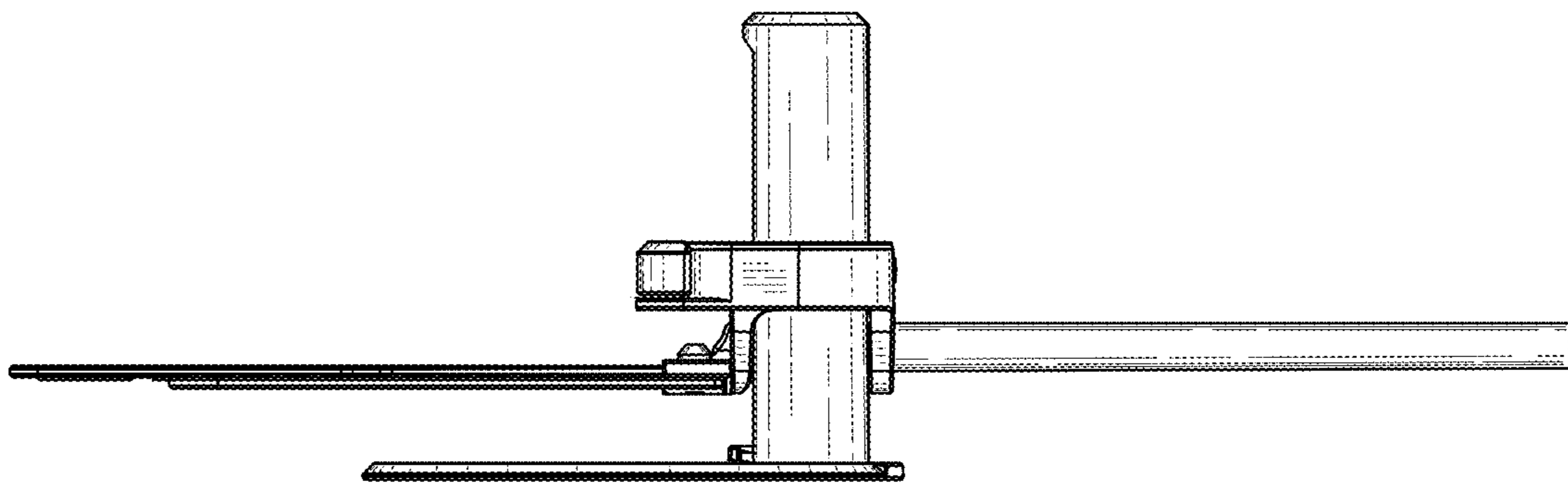


FIG. 5

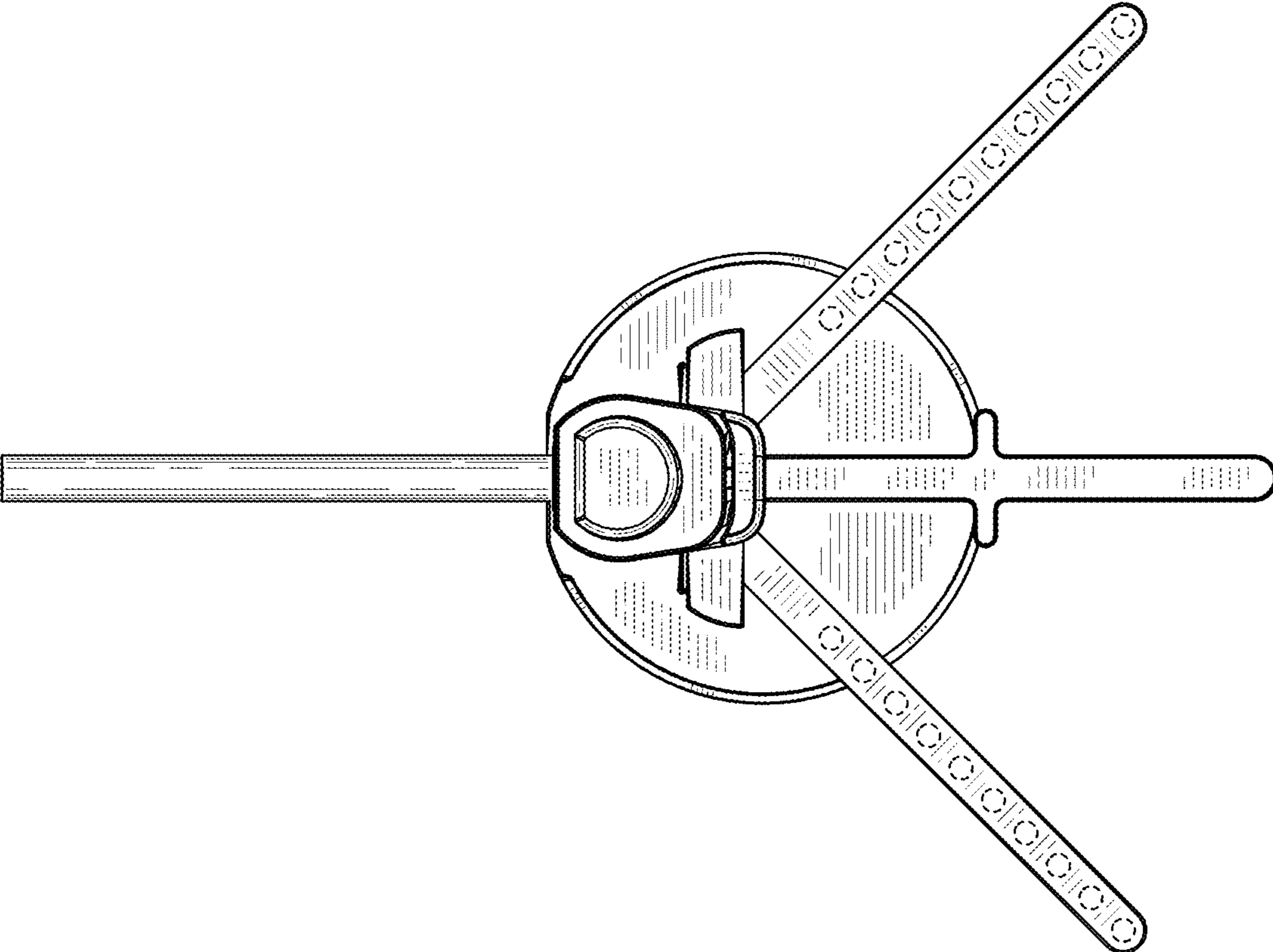


FIG. 6

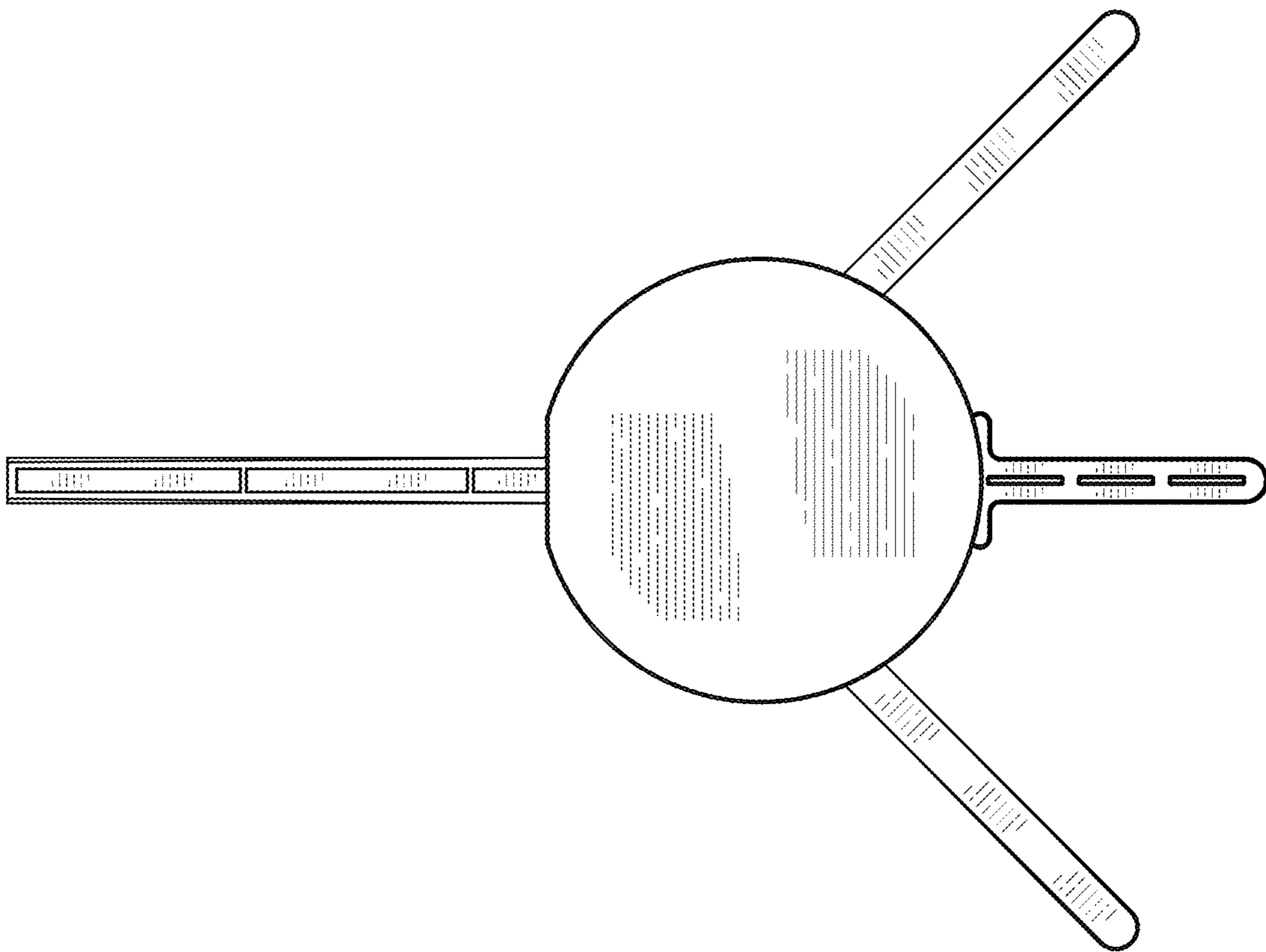


FIG. 7