



US00D902307S

(12) **United States Design Patent**  
**Phongsuwan**

(10) **Patent No.:** **US D902,307 S**

(45) **Date of Patent:** **\*\* Nov. 17, 2020**

- (54) **BLOCK PENCIL HOLDER**
- (71) Applicant: **Worakorn Phongsuwan**, Songkhla (TH)
- (72) Inventor: **Worakorn Phongsuwan**, Songkhla (TH)
- (\*\*) Term: **15 Years**
- (21) Appl. No.: **29/688,450**
- (22) Filed: **Apr. 22, 2019**
- (30) **Foreign Application Priority Data**  
Dec. 11, 2018 (TH) ..... 1802005320
- (51) **LOC (12) Cl.** ..... **19-06**
- (52) **U.S. Cl.**  
USPC ..... **D19/85; D21/500**
- (58) **Field of Classification Search**  
USPC ..... D19/75, 77-85, 95, 135; D11/152-154; D3/206, 901; D21/484, 486, 489, 491, D21/500  
CPC .... B43K 23/016; B43K 23/06; B43M 99/006; B43M 99/008; A63H 33/04; A63H 33/08; A63H 33/086; A63H 33/088  
See application file for complete search history.

- 2,493,435 A \* 1/1950 Arehambault ..... A63H 33/088 446/122
- 3,005,282 A \* 10/1961 Christiansen ..... A63H 33/086 446/128
- 3,299,599 A \* 1/1967 Zachar ..... E04B 2/20 52/592.4
- 4,057,946 A \* 11/1977 Barrett ..... B65D 21/0202 52/436
- 4,267,662 A \* 5/1981 Gordy ..... A63H 33/06 446/121
- 4,551,110 A \* 11/1985 Selvage ..... A63H 33/101 446/118
- 4,602,908 A \* 7/1986 Kroeber ..... A63H 33/088 446/124
- 5,715,635 A \* 2/1998 Sherwood ..... E04B 2/16 52/286
- 5,771,650 A \* 6/1998 Williams ..... E04B 2/08 24/DIG. 41
- D411,864 S \* 7/1999 Krog ..... D21/500
- D414,210 S \* 9/1999 Davis ..... D19/85
- D515,634 S \* 2/2006 Paterson ..... D21/500

(Continued)

*Primary Examiner* — Elizabeth A. Albert  
(74) *Attorney, Agent, or Firm* — Innovation Capital Law Group, LLP; Vic Lin

(57) **CLAIM**

The ornamental design for an block pencil holder, as shown and described.

(56) **References Cited**

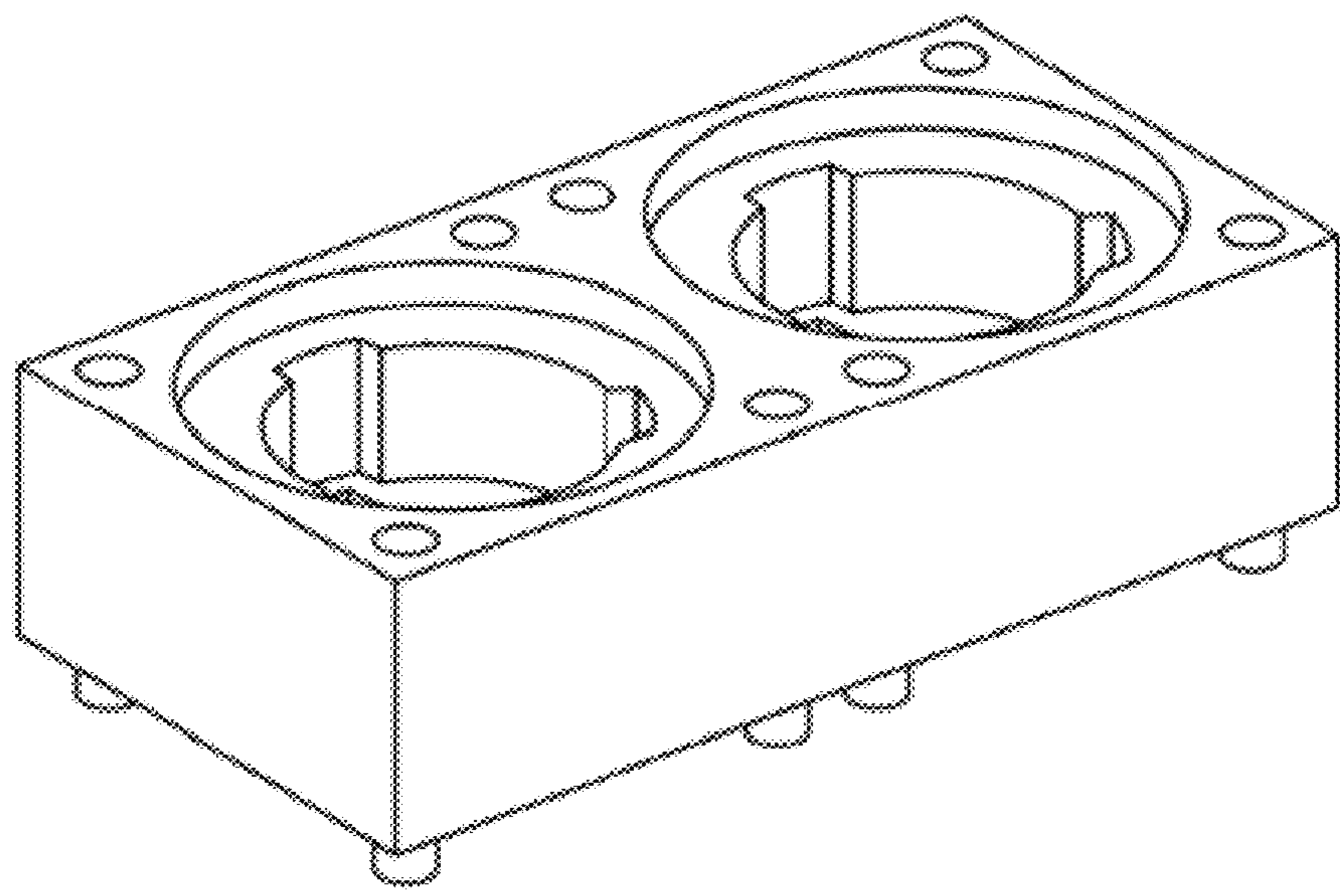
U.S. PATENT DOCUMENTS

- 1,524,146 A \* 1/1925 Murray ..... E04B 2/14 52/302.4
- 2,019,133 A \* 10/1935 Hincke ..... E04B 2/10 52/293.2
- 2,093,341 A \* 9/1937 Reiche ..... A63H 33/102 446/104
- 2,132,647 A \* 10/1938 Robins ..... A63H 33/108 446/94
- 2,461,535 A \* 2/1949 Erhardt ..... A63H 33/088 446/104

**DESCRIPTION**

FIG. 1 is a front perspective view of a block pencil holder showing my new design;  
FIG. 2 is a right elevation view thereof;  
FIG. 3 is a left elevation view thereof;  
FIG. 4 is a front elevation view thereof;  
FIG. 5 is a rear elevation view thereof;  
FIG. 6 is a top plan view thereof; and,  
FIG. 7 is a bottom plan view thereof.

**1 Claim, 6 Drawing Sheets**



(56)

**References Cited**

U.S. PATENT DOCUMENTS

6,996,945 B2 \* 2/2006 Doty ..... E04B 2/18  
52/582.1  
7,175,498 B2 \* 2/2007 Garpow ..... A63H 33/08  
446/117  
7,191,571 B2 \* 3/2007 Schools ..... E04B 2/18  
52/439  
9,814,997 B1 \* 11/2017 Vaillancourt ..... A63H 33/086  
9,814,999 B2 \* 11/2017 Shaanti ..... A63H 33/08  
10,273,685 B2 \* 4/2019 Martinez ..... E04C 1/397  
10,411,424 B2 \* 9/2019 Lin ..... H01R 31/06  
10,583,368 B2 \* 3/2020 Vaillancourt ..... A63H 33/08

\* cited by examiner

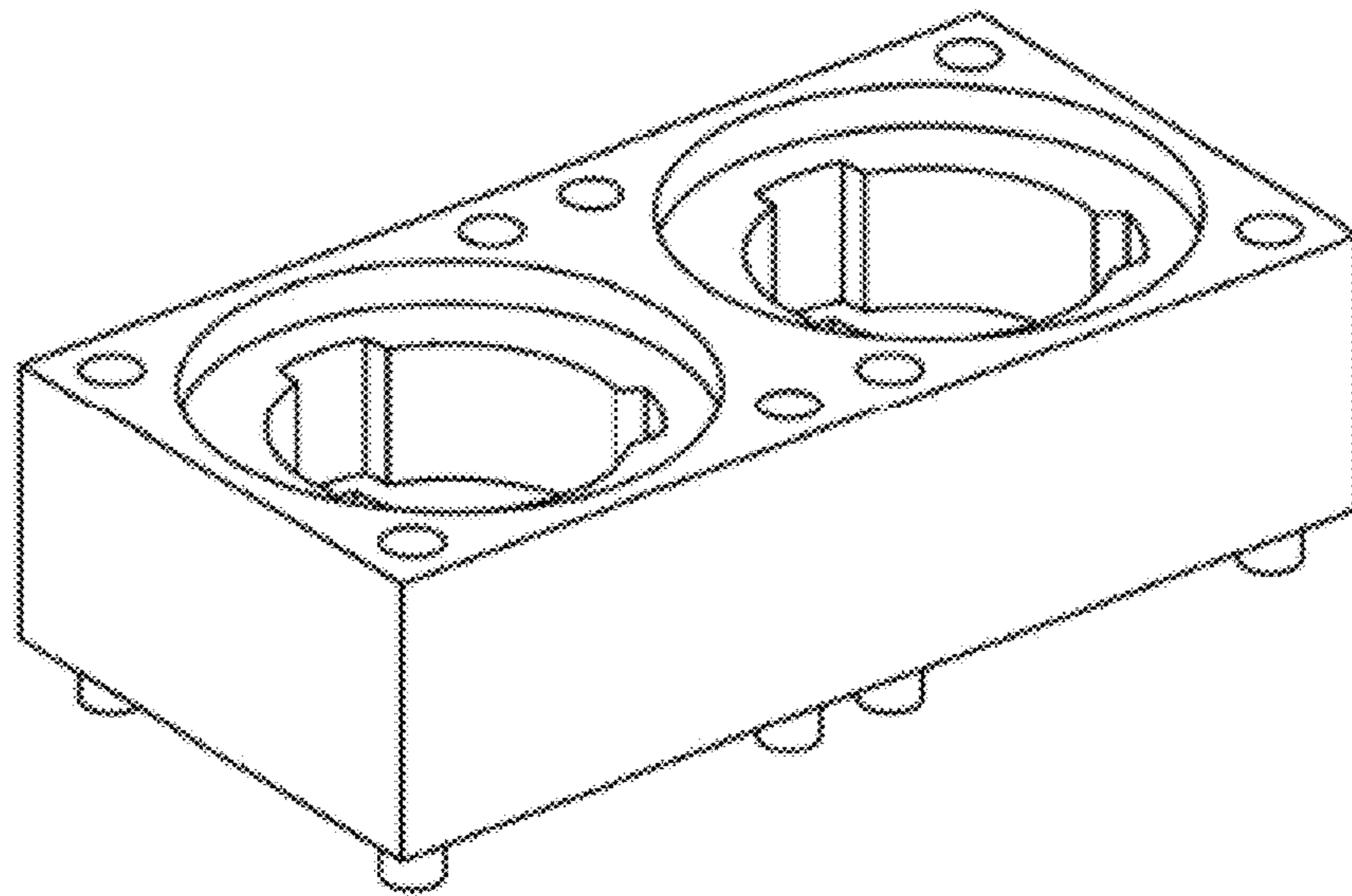


Figure 1

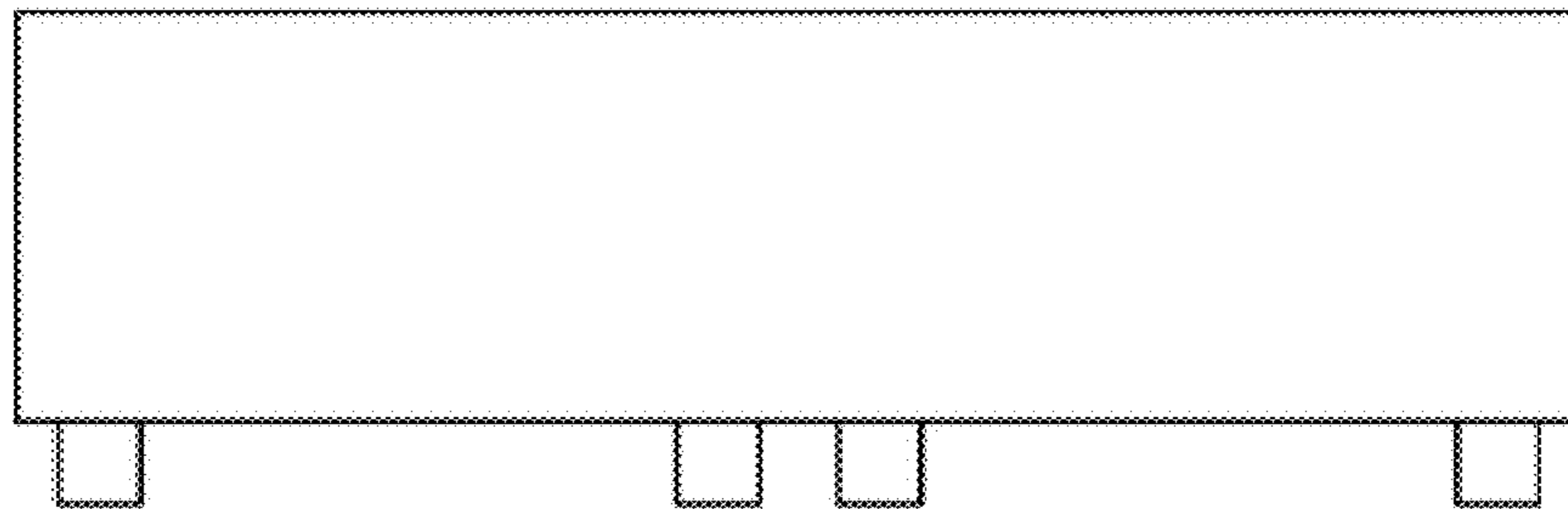


Figure 2

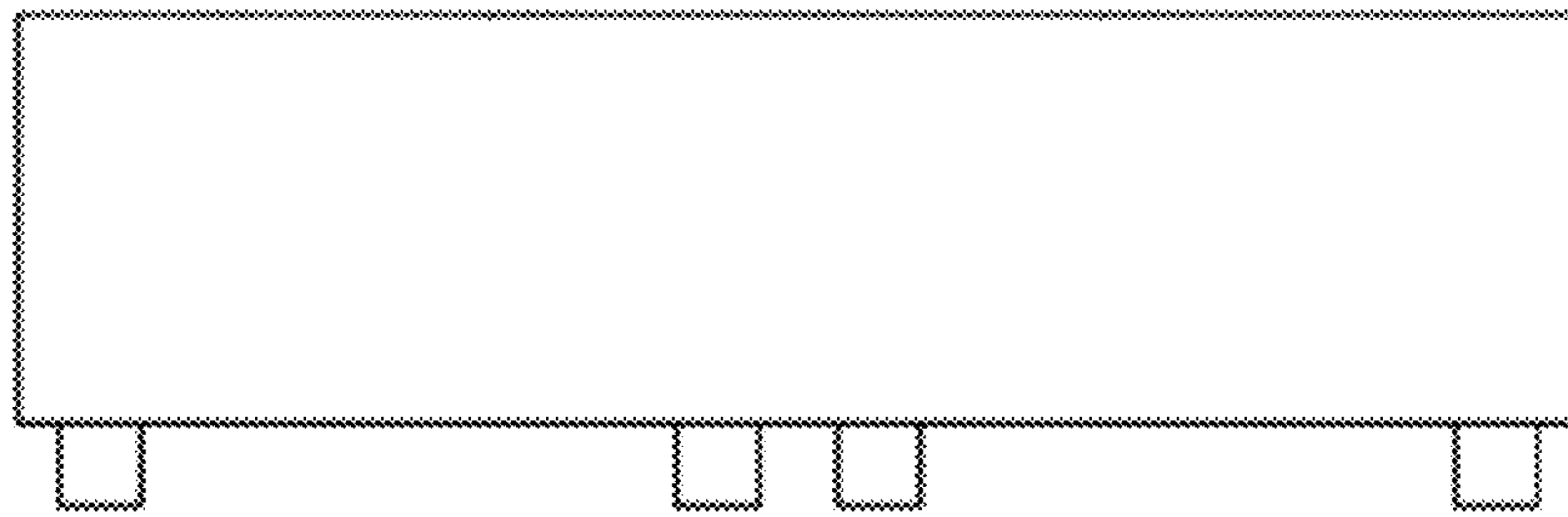


Figure 3

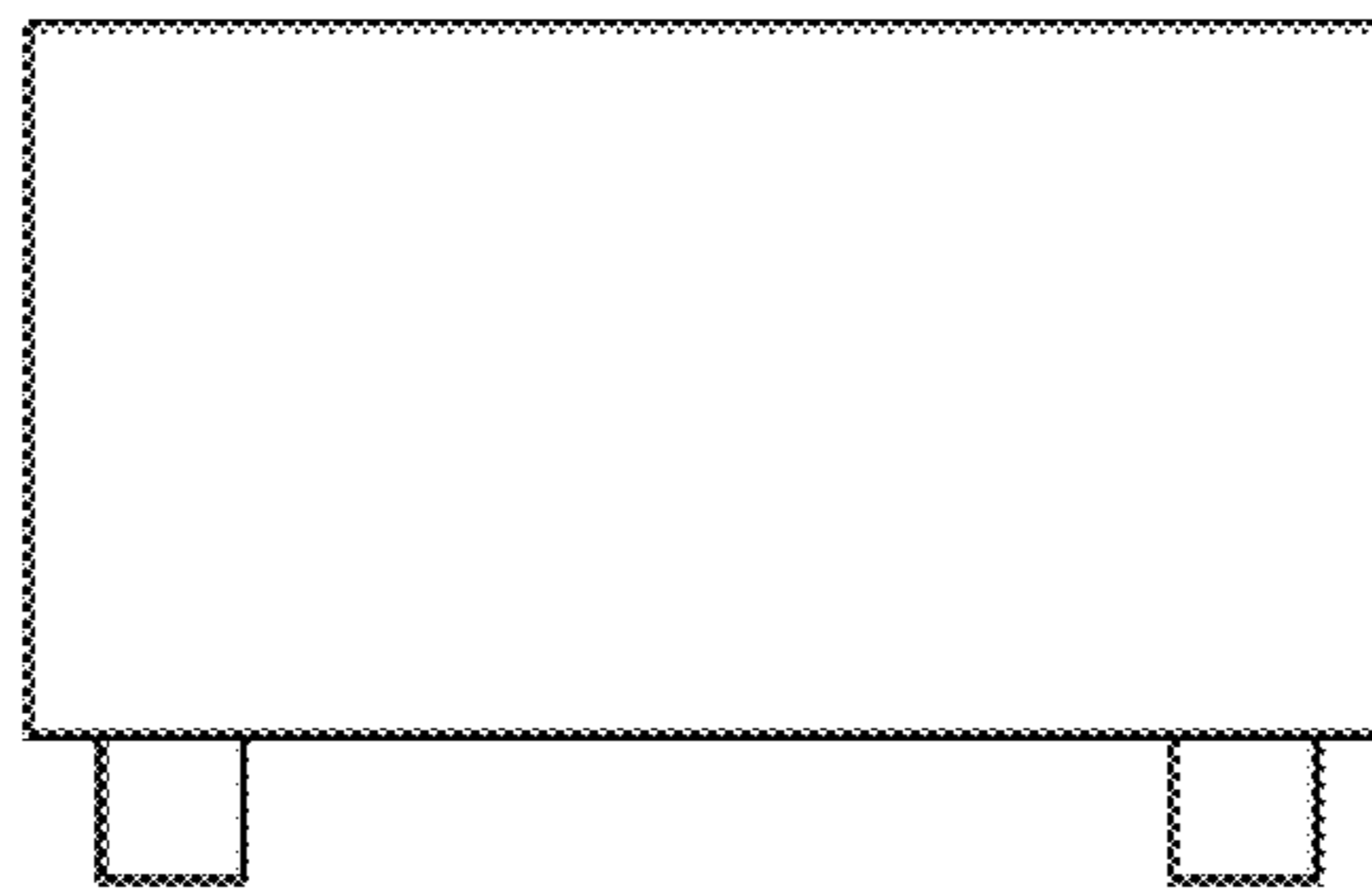


Figure 4

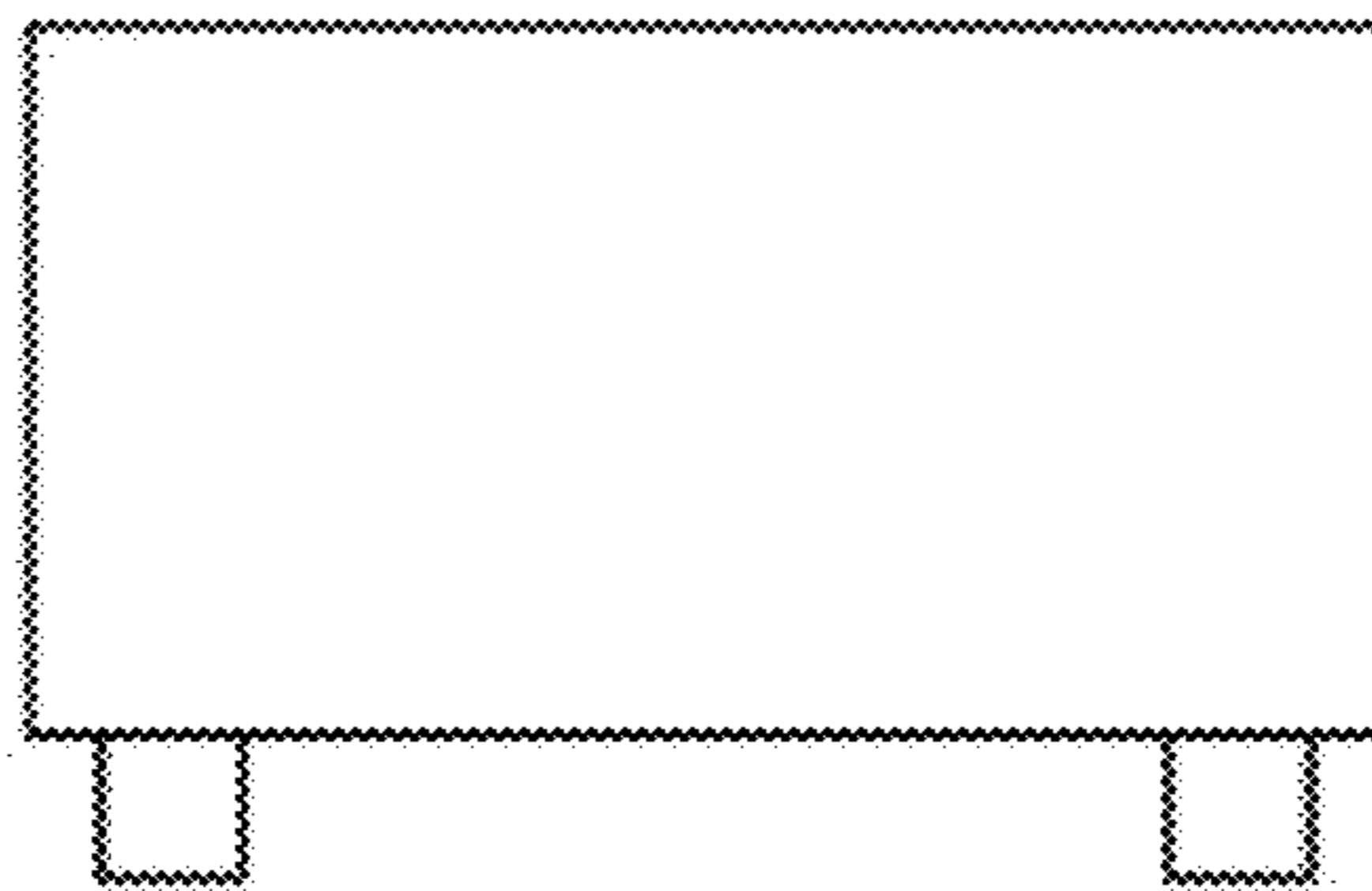


Figure 5

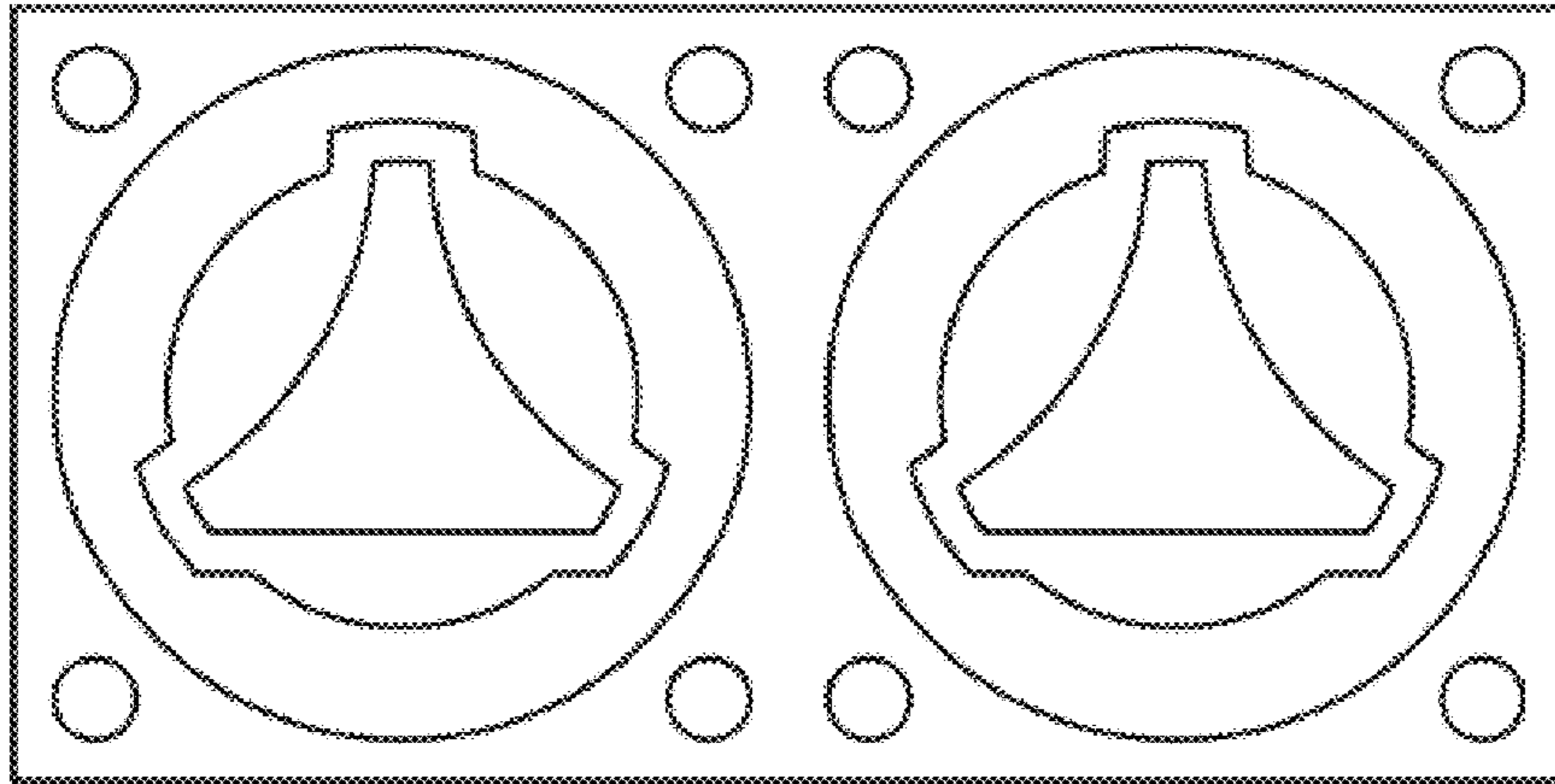


Figure 6

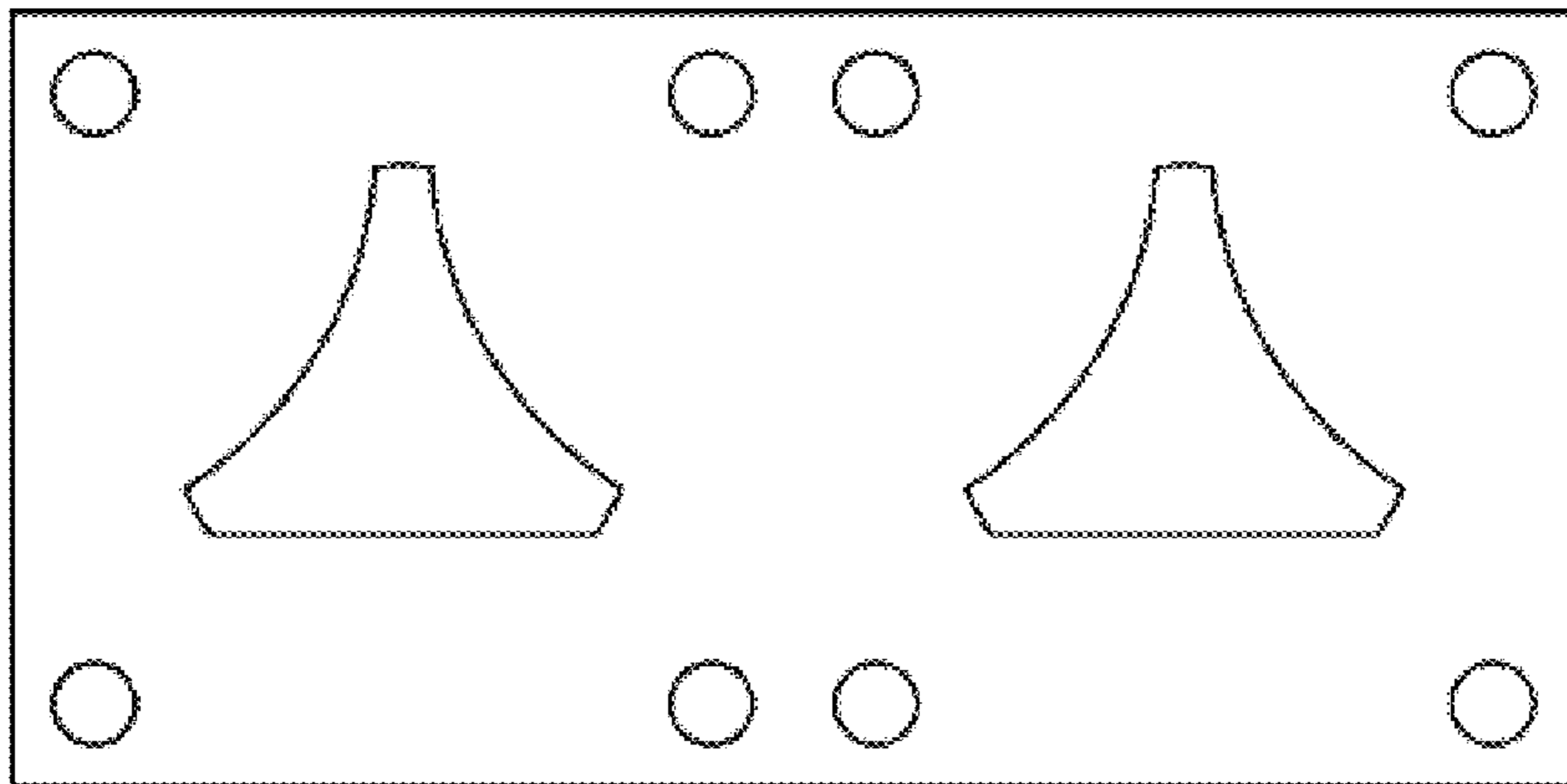


Figure 7