



US00D902297S

(12) **United States Design Patent**  
**Cathala**

(10) **Patent No.:** **US D902,297 S**

(45) **Date of Patent:** **\*\* Nov. 17, 2020**

(54) **POINT-OF-SALE (POS) TERMINAL**

(71) Applicant: **AURES TECHNOLOGIES**, Lisses (FR)

(72) Inventor: **Patrick Cathala**, Paris (FR)

(73) Assignee: **AURES TECHNOLOGIES**, Lisses (FR)

(\*\*) Term: **15 Years**

(21) Appl. No.: **29/686,761**

(22) Filed: **Apr. 8, 2019**

(51) **LOC (12) Cl.** ..... **14-02**

(52) **U.S. Cl.**

USPC ..... **D18/4.5**; D14/307

(58) **Field of Classification Search**

USPC ..... D14/302–307, 900–902; D18/4.5, 4.6,  
D18/4.4, 2, 11, 4, 19, 20, 21, 50, 54;  
D20/10; D21/332, 325, 369, 370;  
D6/397, 466; 194/206; 361/679.01,  
361/679.02, 679.04, 679.21, 679.57, 725

CPC ..... G06Q 20/18; G06Q 20/10; G06Q 20/123;  
G06Q 20/20; G06Q 30/02; G06Q 30/06;  
A47F 9/047; F16M 11/10; F16M 11/22

See application file for complete search history.

(56) **References Cited**

U.S. PATENT DOCUMENTS

D686,654 S \* 7/2013 Kim ..... D18/4.6  
D690,293 S \* 9/2013 Wilson ..... D14/307

D697,062 S \* 1/2014 Nagai ..... D14/307  
D712,396 S \* 9/2014 Johnson ..... D14/307  
D772,335 S \* 11/2016 Mantrawadi ..... D18/4.6  
D806,160 S \* 12/2017 Specht ..... D18/4.6  
D824,895 S \* 8/2018 Tivnon ..... D14/314  
D857,007 S \* 8/2019 Pitallano ..... D14/307  
D861,778 S \* 10/2019 Day ..... D18/4.4  
D864,193 S \* 10/2019 Oosawa ..... D14/307  
D882,680 S \* 4/2020 Eun ..... D18/4.5

\* cited by examiner

*Primary Examiner* — Austin Murphy

(74) *Attorney, Agent, or Firm* — Burriss Law, PLLC

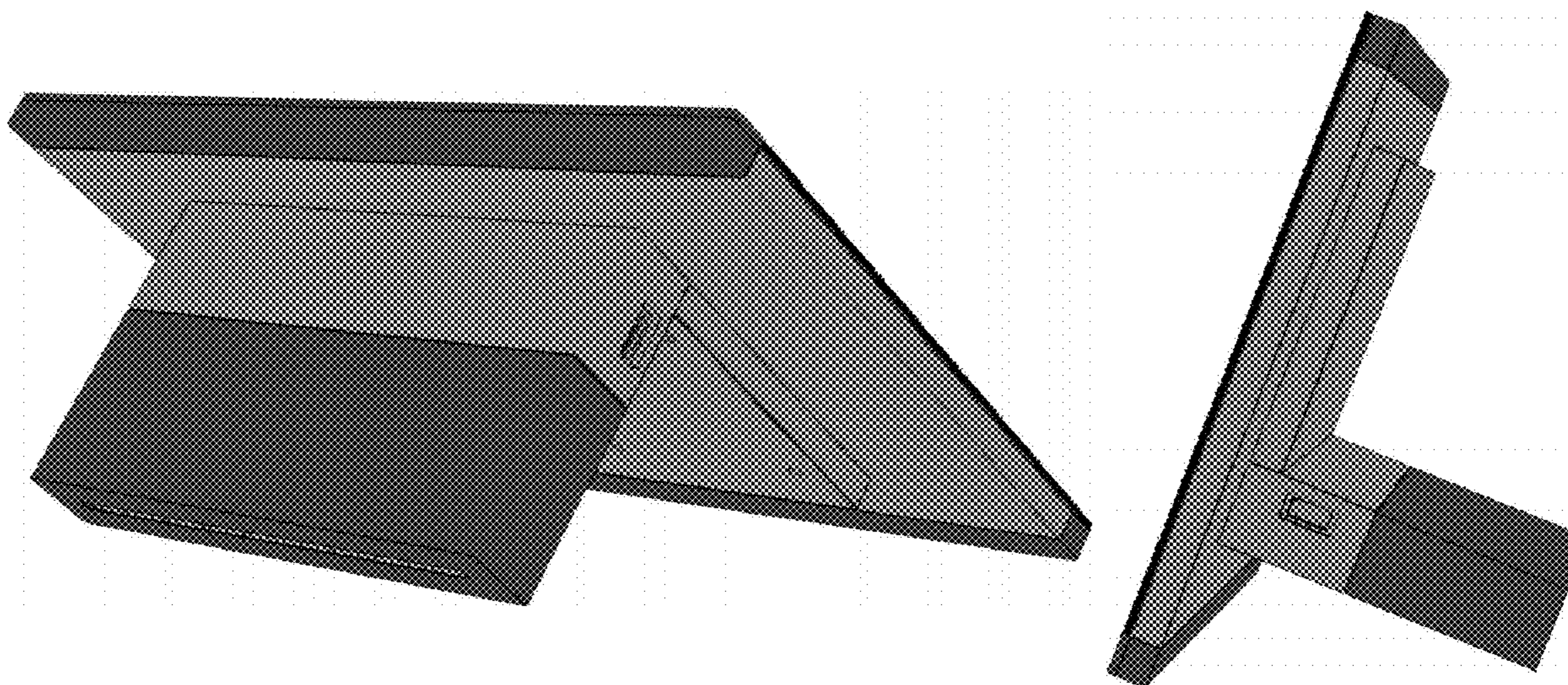
(57) **CLAIM**

The ornamental design for a point-of-sale (POS) terminal, as shown and described.

**DESCRIPTION**

FIG. 1 is a left rear perspective view of a first configuration of the point-of-sale (POS) terminal;  
FIG. 2 is a right rear perspective view thereof;  
FIG. 3 is a left front perspective view thereof;  
FIG. 4 is a right rear perspective view of a second configuration of the point-of-sale (POS) terminal;  
FIG. 5 is a right side view thereof; and,  
FIG. 6 is a right front perspective view thereof.

**1 Claim, 3 Drawing Sheets**



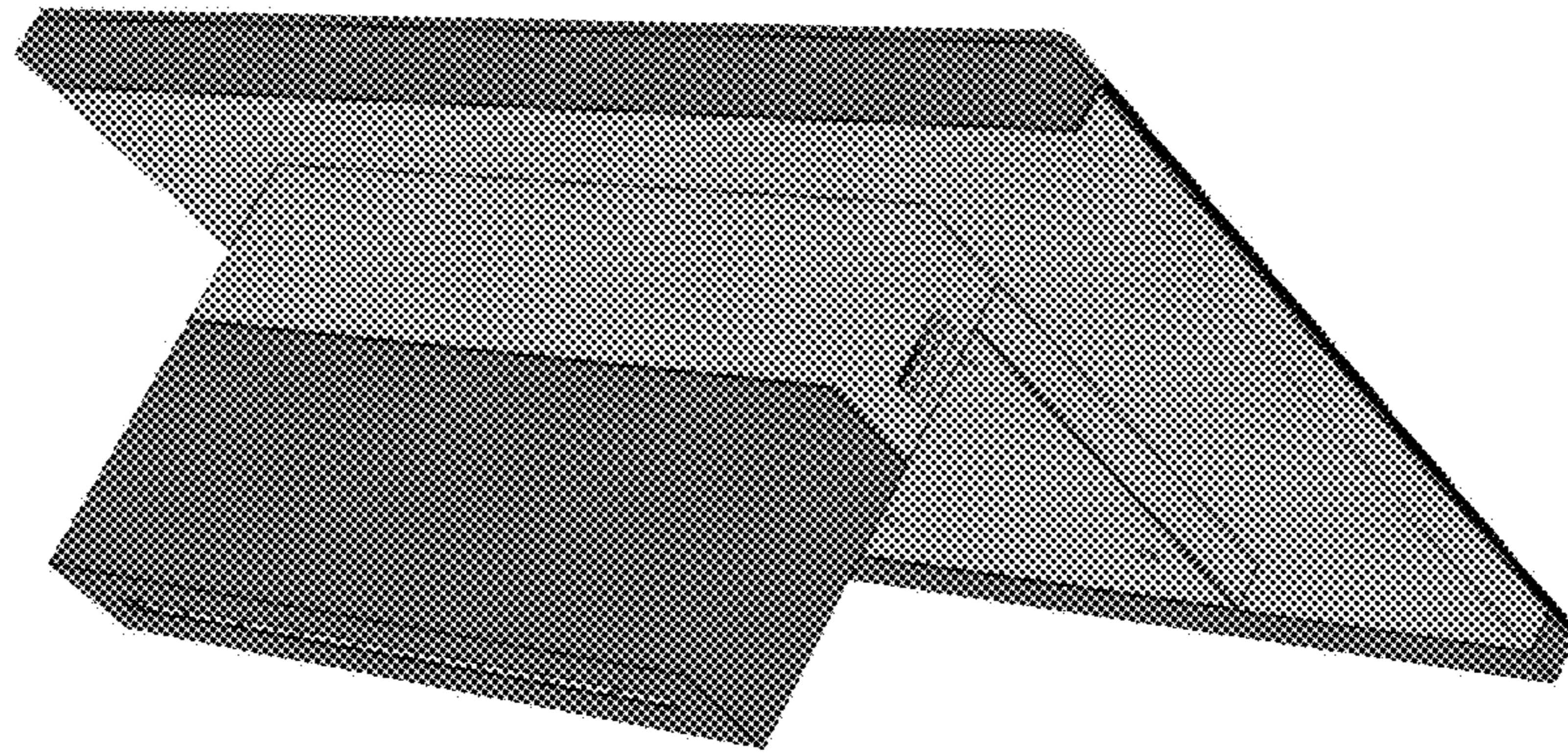


FIG. 1

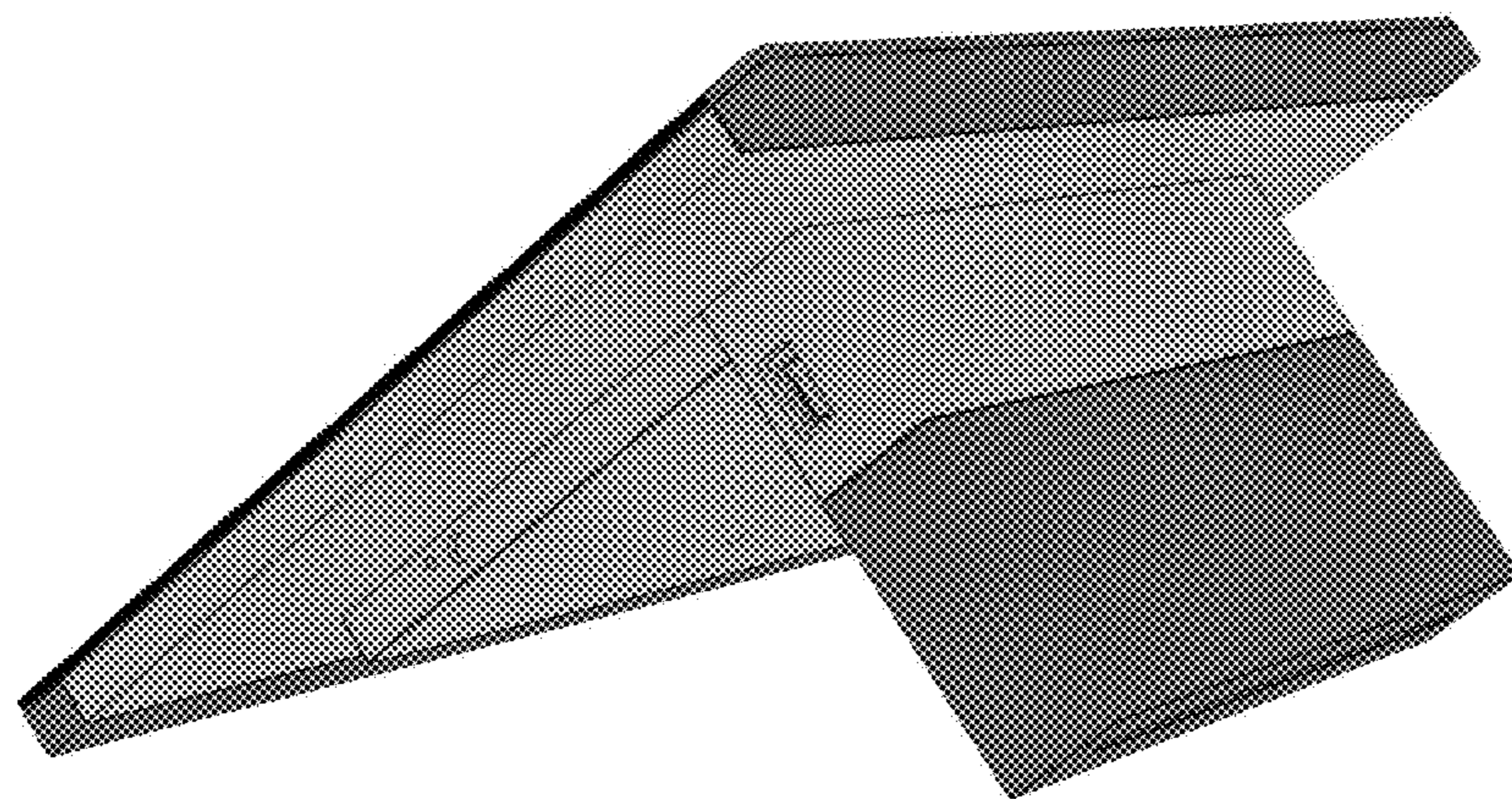


FIG. 2

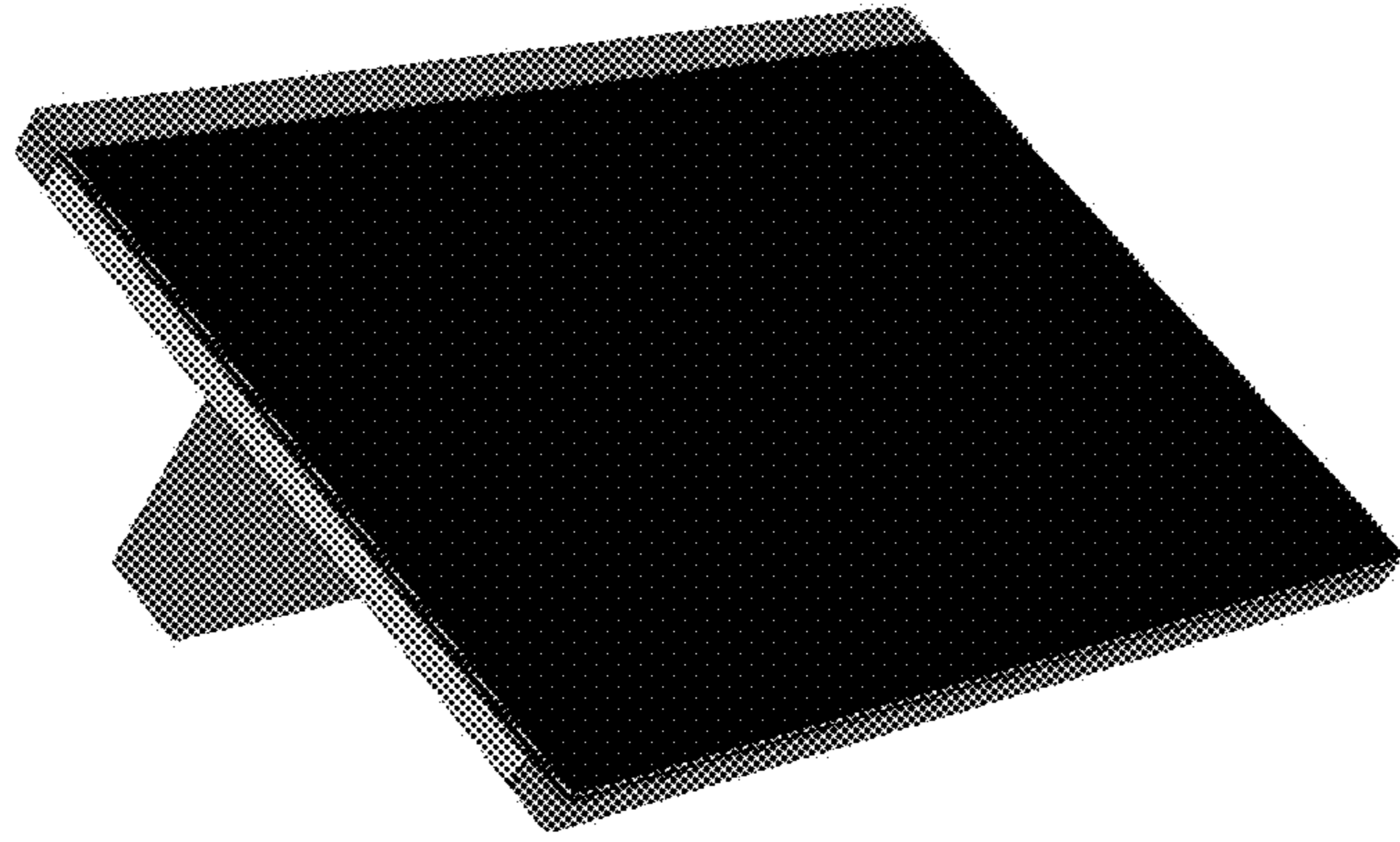


FIG. 3

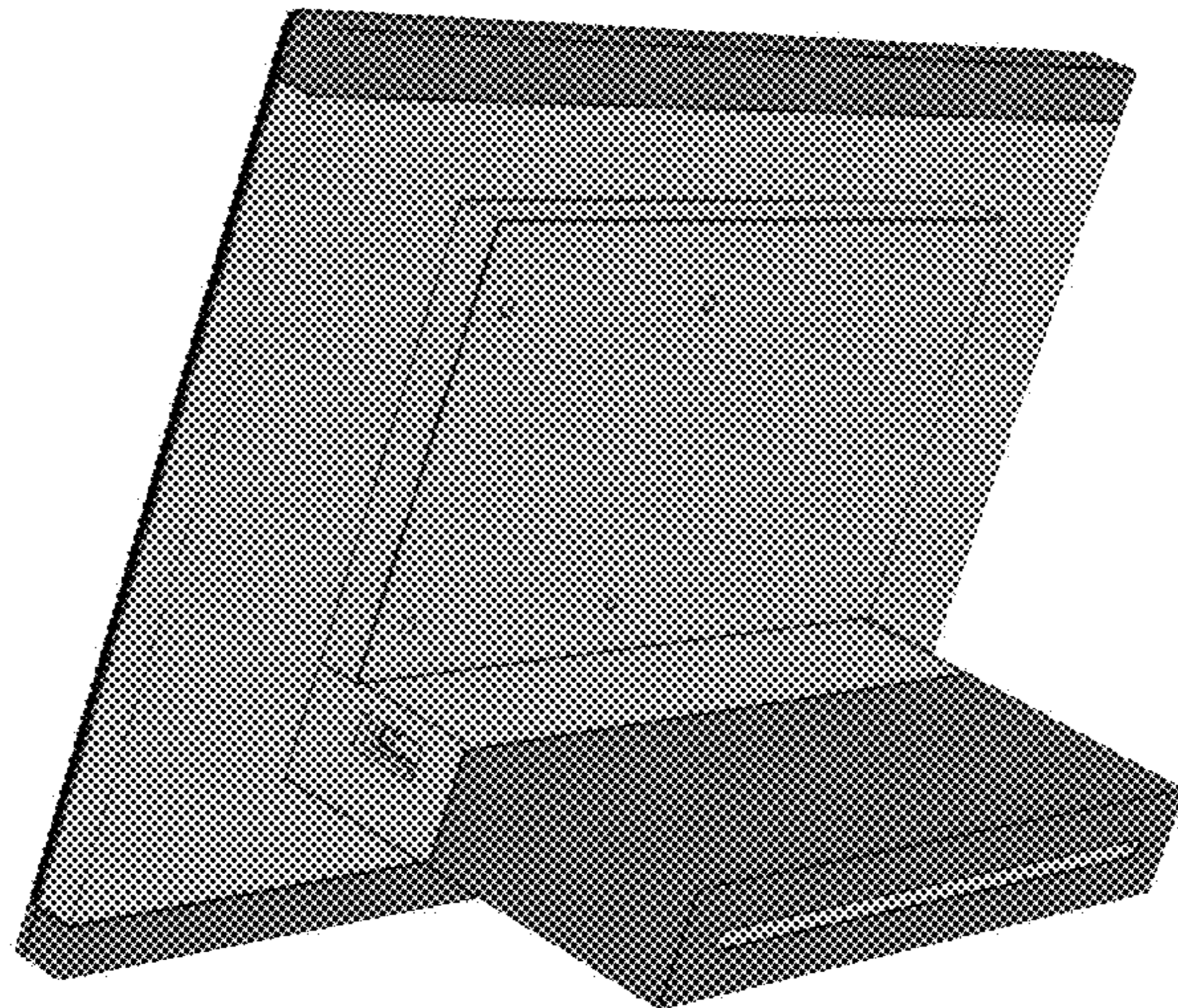


FIG. 4

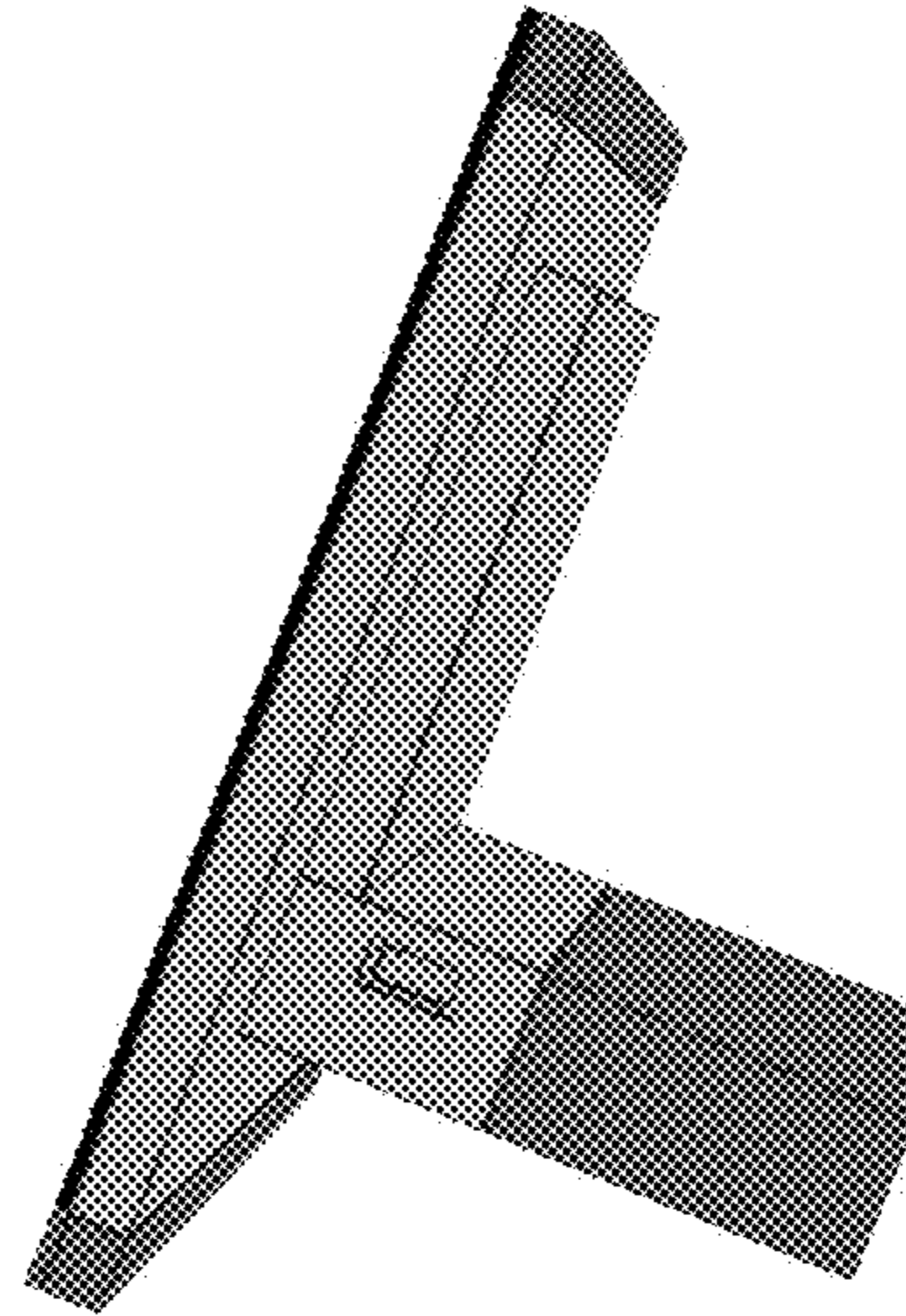


FIG. 5

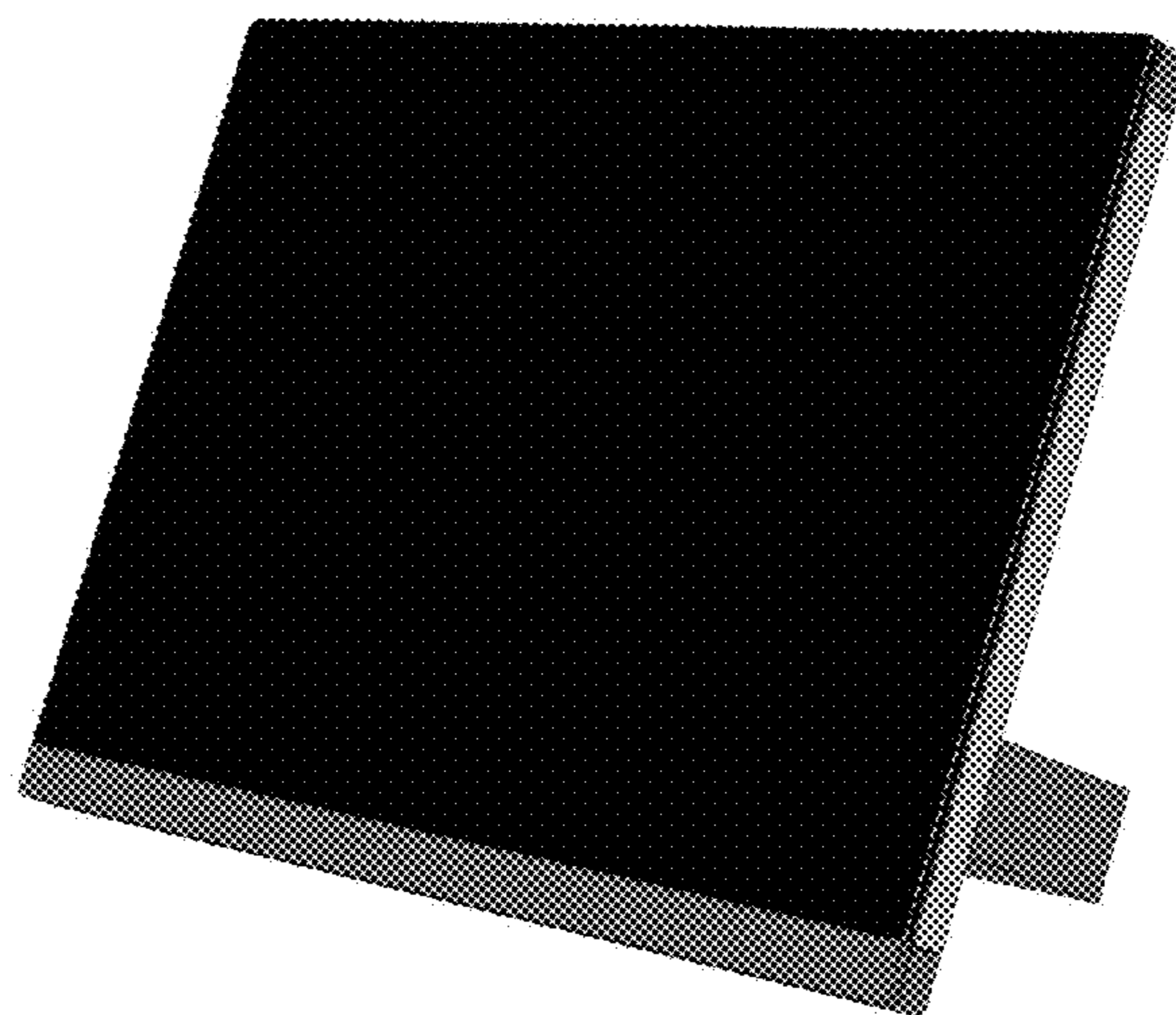


FIG. 6

UNITED STATES PATENT AND TRADEMARK OFFICE  
**CERTIFICATE OF CORRECTION**

PATENT NO. : D902,297 S  
APPLICATION NO. : 29/686761  
DATED : November 17, 2020  
INVENTOR(S) : Patrick Cathala

Page 1 of 1

It is certified that error appears in the above-identified patent and that said Letters Patent is hereby corrected as shown below:

On the Title Page

Item (30), insert:

--Oct. 8, 2018 (EM) ..... 005 772 563-0002--

Signed and Sealed this  
Twenty-seventh Day of July, 2021



Drew Hirshfeld  
*Performing the Functions and Duties of the  
Under Secretary of Commerce for Intellectual Property and  
Director of the United States Patent and Trademark Office*