



US00D902294S

(12) **United States Design Patent** (10) **Patent No.:** **US D902,294 S**
Patterson (45) **Date of Patent:** **** Nov. 17, 2020**

(54) **CONTACT LENS INSERTER** 2,482,431 A * 9/1949 Okawa A61H 35/02
604/301
(71) Applicant: **DMV Corporation**, Zanesville, OH 2,919,696 A * 1/1960 Rinaldy A61F 9/0061
(US) 294/1.2
3,129,971 A * 4/1964 Kobler A61F 9/0061
(72) Inventor: **Alan J. Patterson**, Dresden, OH (US) D205,683 S * 9/1966 Toran D16/331
(73) Assignee: **DMV Corporation**, Zanesville, OH (US) (Continued)

(**) Term: **15 Years**

(21) Appl. No.: **29/691,286**

(22) Filed: **May 15, 2019**

(51) **LOC (12) Cl.** **16-06**

(52) **U.S. Cl.**
USPC **D16/331**

(58) **Field of Classification Search**
USPC D16/101, 300, 301, 303, 310, 311, 312,
D16/313-316, 319, 320, 325-326, 328,
D16/329, 330, 331, 332, 334, 335, 340,
D16/341, 342; D29/109-110; D14/372;
351/41, 44, 45-48, 51-52, 62, 158, 92,
351/103-123, 140-153, 63, 59
CPC A63B 33/00; A63B 33/002; G02C 1/00;
G02C 1/02; G02C 1/04; G02C 1/06;
G02C 5/02; G02C 5/04; G02C 5/08;
G02C 5/12; G02C 5/22; G02C 7/04;
G02C 7/046; G02C 7/048; G02C 9/00;
G02C 9/02; G02C 9/04; G02C 11/00;
G02C 11/02; G02C 2200/00; G02C
2200/02; A61F 9/00

See application file for complete search history.

(56) **References Cited**

U.S. PATENT DOCUMENTS

1,724,621 A * 8/1929 Sacks A61H 35/02
604/301
2,379,629 A * 7/1945 Eweson A61F 9/0061
294/1.2

OTHER PUBLICATIONS

DMV Corporation:Gas permeable Products, announced unknown, [online], [site visited May 23, 2020]. Available from Internet, <URL: https://dmvcorp.com/gas_permeable_products.htm> (Year: 2020) (Year: 2020).*

Primary Examiner — Sanjeev Paul

(74) *Attorney, Agent, or Firm* — Miles & Stockbridge P.C.; David R. Schaffer

(57) **CLAIM**

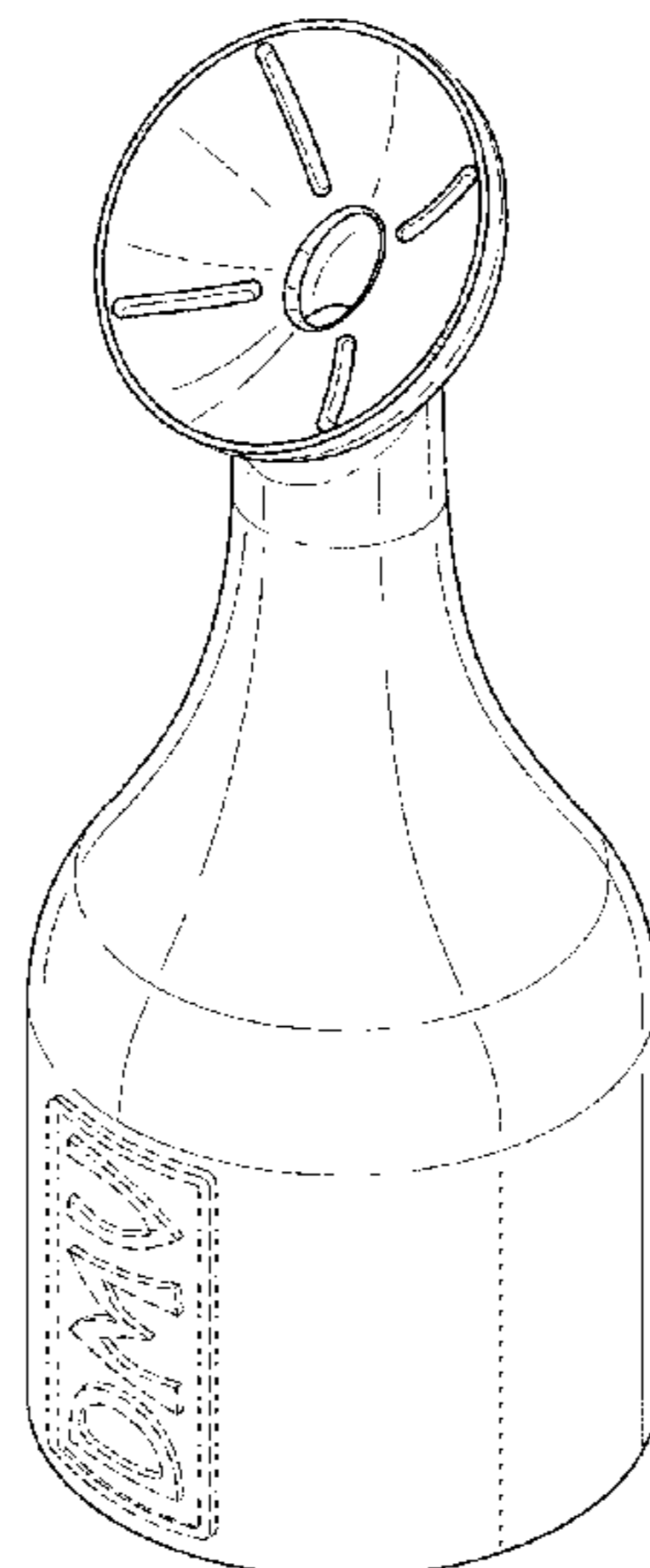
The ornamental design for a contact lens inserter, as shown and described.

DESCRIPTION

FIG. 1 is a top right front perspective view of a contact lens inserter showing my new design;
FIG. 2 is a bottom right front perspective view thereof;
FIG. 3 is a front view thereof;
FIG. 4 is a top plan view thereof;
FIG. 5 is a left side elevational thereof;
FIG. 6 is a right side elevational view thereof;
FIG. 7 is a back elevational view thereof; and,
FIG. 8 is a bottom plan view thereof.

The broken lines shown in the drawing Figures are included for the purpose of illustrating portions of the contact lens inserter that form no part of the claimed design. "DMV" shown in broken lines and forming no part of the claimed design is a registered trademark of D M V Corporation CORPORATION OHIO P.O. Box 8781024 Military Rd. Zanesville OHIO 43701.

1 Claim, 4 Drawing Sheets



(56)

References Cited

U.S. PATENT DOCUMENTS

3,304,113	A *	2/1967	Hutchison	A61F 9/0061	294/1.2
3,743,337	A *	7/1973	Crary	A61F 9/0061	294/1.2
4,071,272	A *	1/1978	Drdlik	A61F 9/0061	294/1.2
4,082,339	A *	4/1978	Ross	A61F 9/0061	294/1.2
4,097,081	A	6/1978	England			
D249,799	S *	10/1978	Zoltner	D16/331	
4,123,098	A *	10/1978	Shoup	A61F 9/0061	294/1.2
4,167,283	A *	9/1979	Feldman	A61F 9/0061	294/1.2
D261,896	S *	11/1981	Schurgin	D16/331	
D272,073	S *	1/1984	Cointment	D16/331	
4,512,602	A *	4/1985	England	A61F 9/0061	294/1.2
D278,914	S *	5/1985	Jermyn	D16/331	
D296,791	S *	7/1988	Kolack	294/1.2	
D310,380	S *	9/1990	England	D16/331	
D323,517	S *	1/1992	Hoefl	D16/331	
D374,246	S *	10/1996	Konopka	D16/331	
5,788,706	A *	8/1998	Deminski	A61F 9/0061	606/107
5,913,556	A *	6/1999	Perusse	A61F 9/0061	294/1.2
D428,041	S *	7/2000	Harbert	D16/331	
6,702,348	B1 *	3/2004	Rigdon	A61F 9/0061	294/1.2
7,163,245	B2 *	1/2007	Wallock	A61F 9/0061	294/1.2
D791,858	S *	7/2017	Tillmann	D16/331	
2014/0094759	A1 *	4/2014	Mansfield	A61F 9/0008	604/290

* cited by examiner



FIG. 1

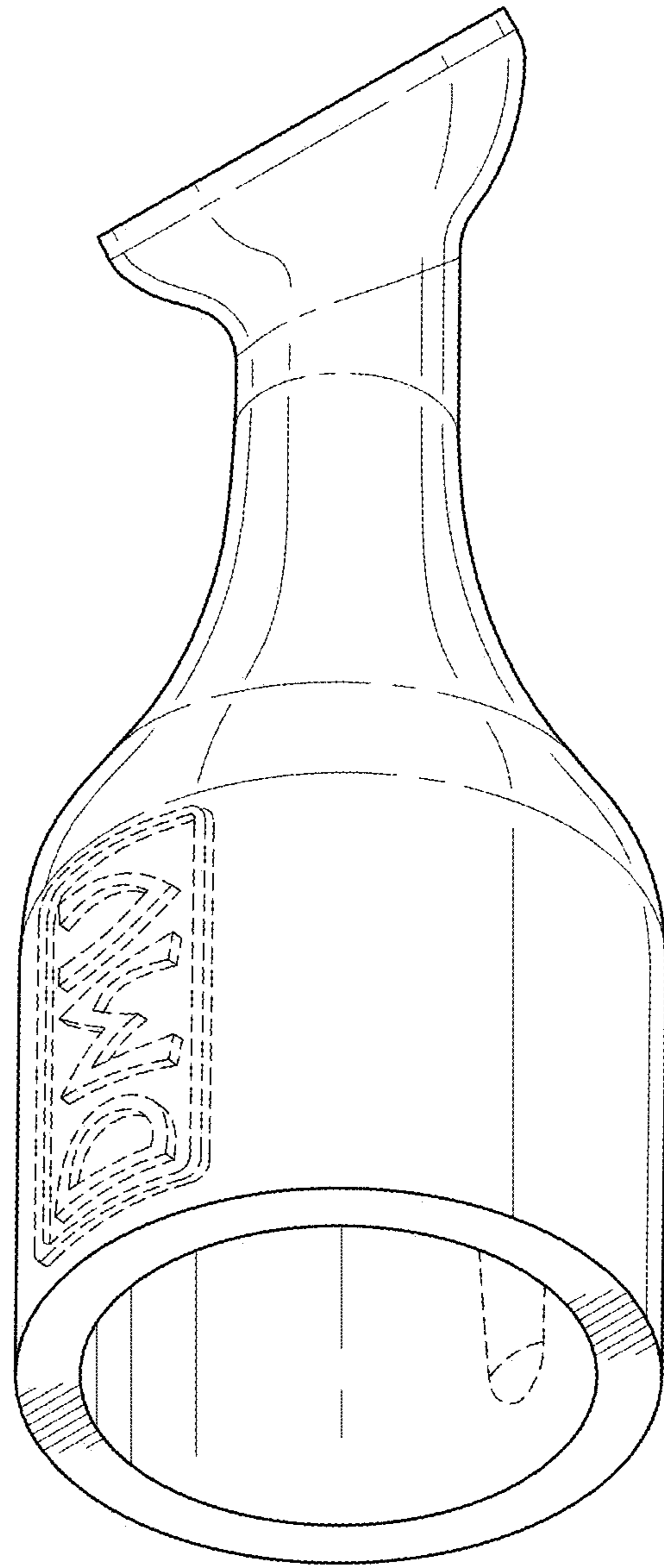


FIG. 2

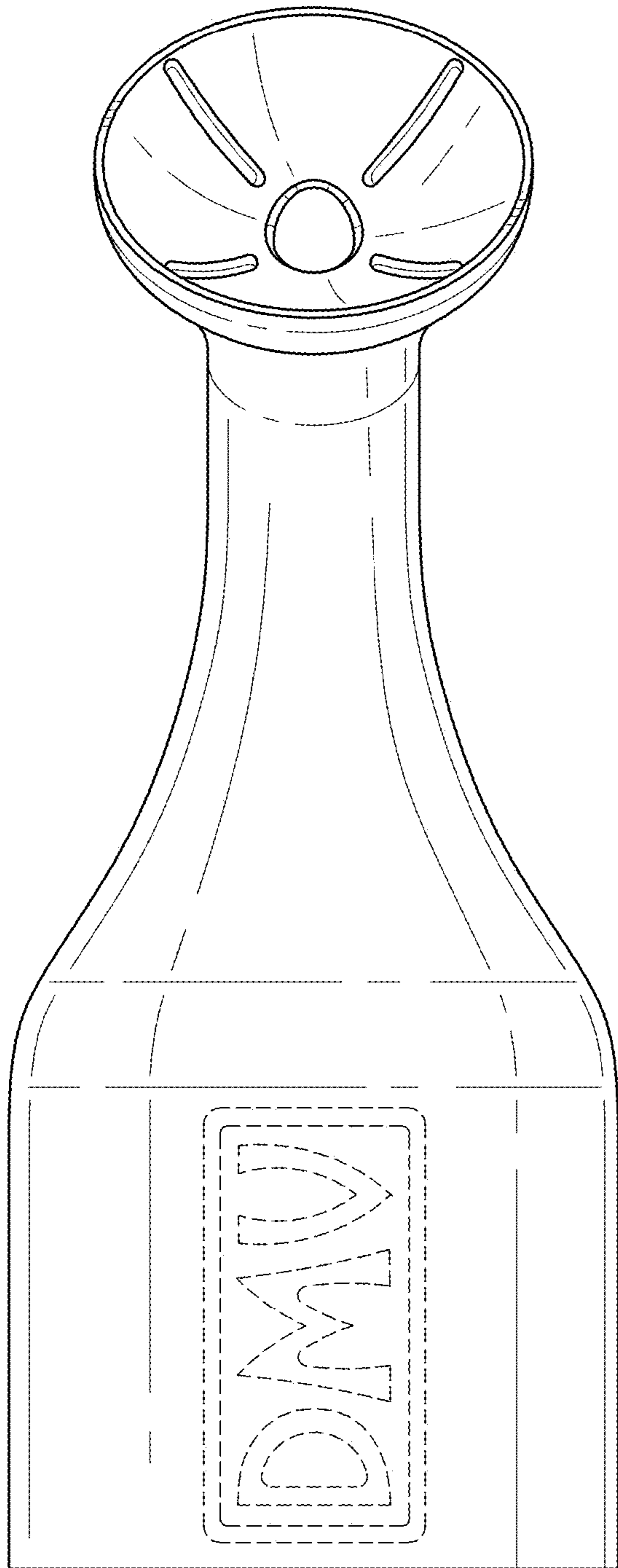


FIG. 3

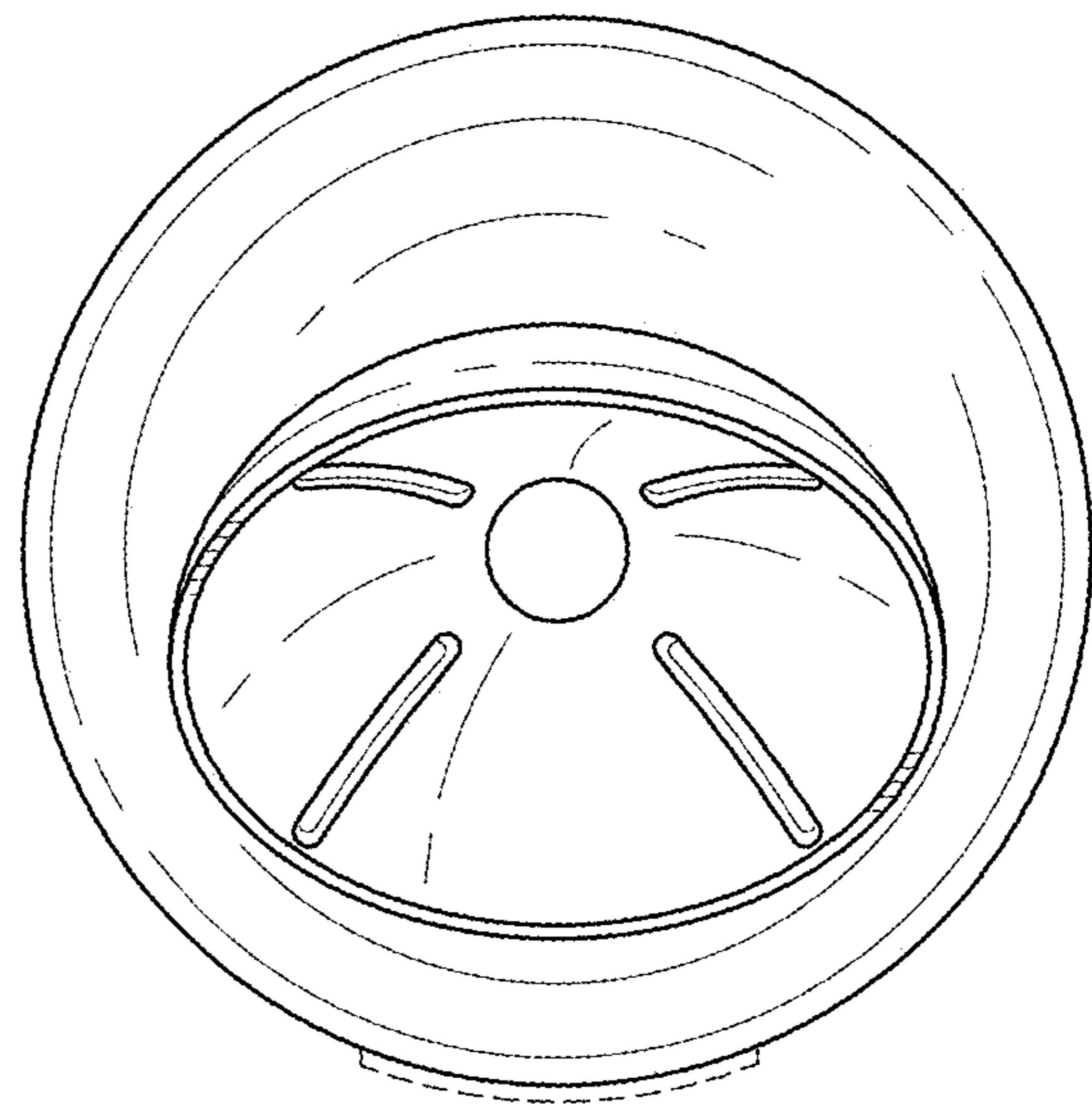


FIG. 4

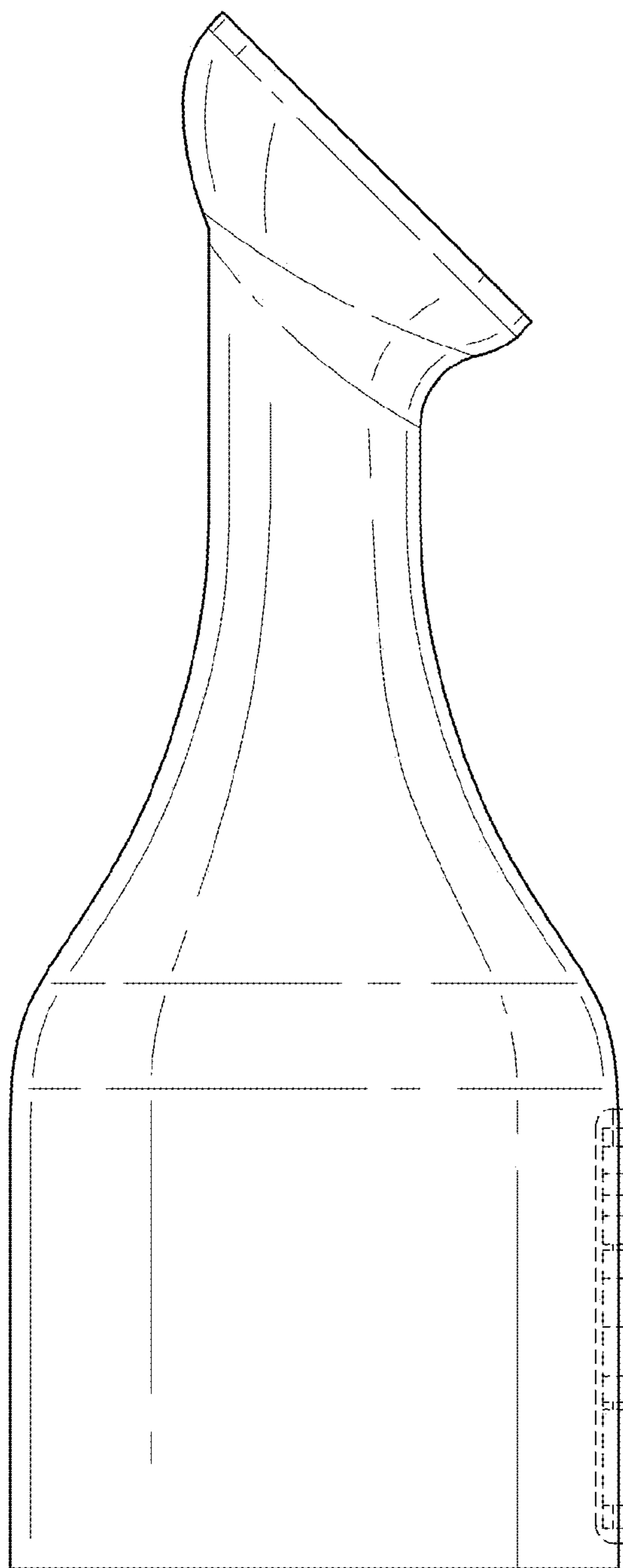


FIG. 5

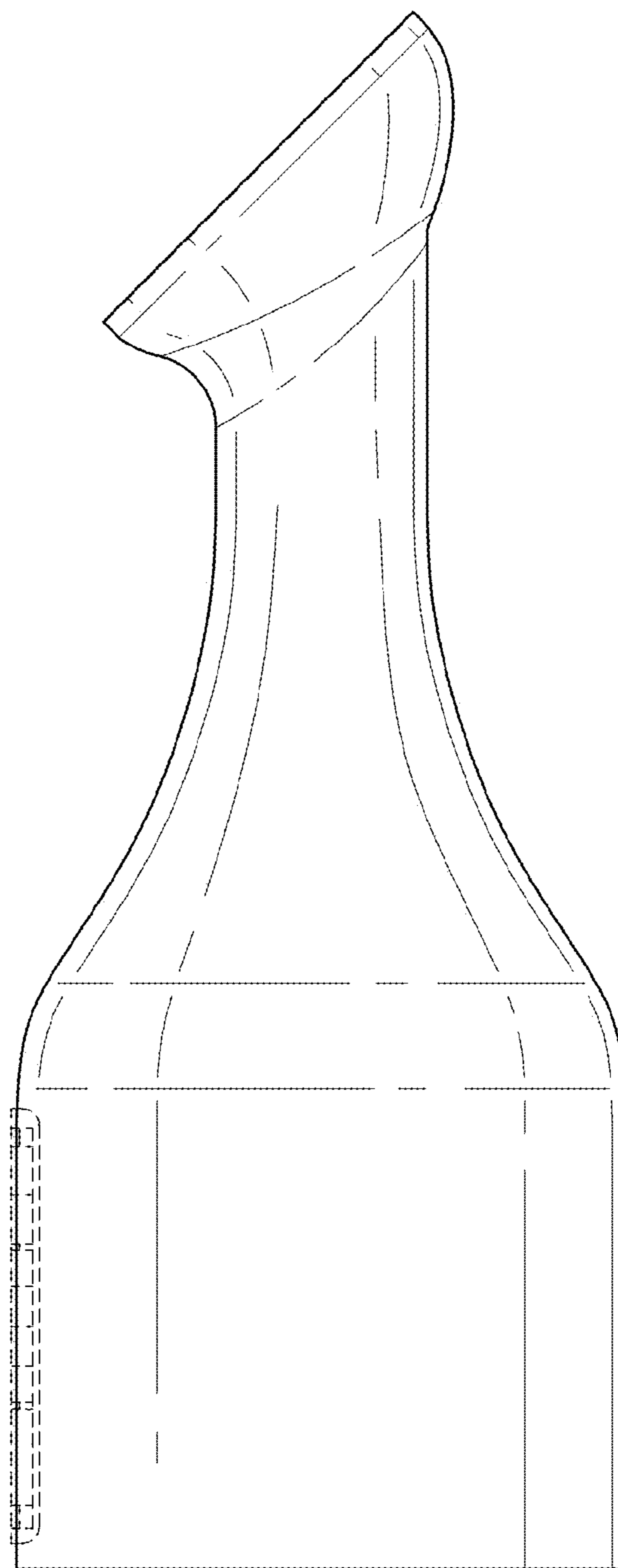


FIG. 6

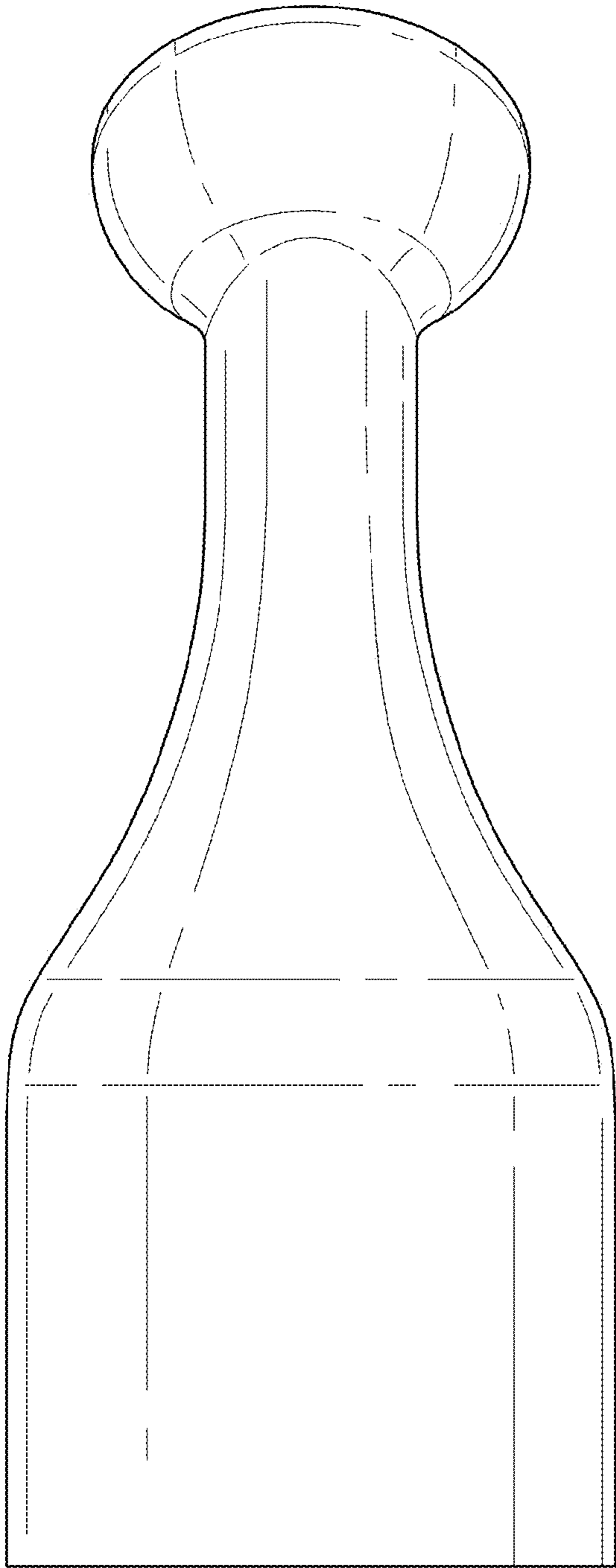


FIG. 7

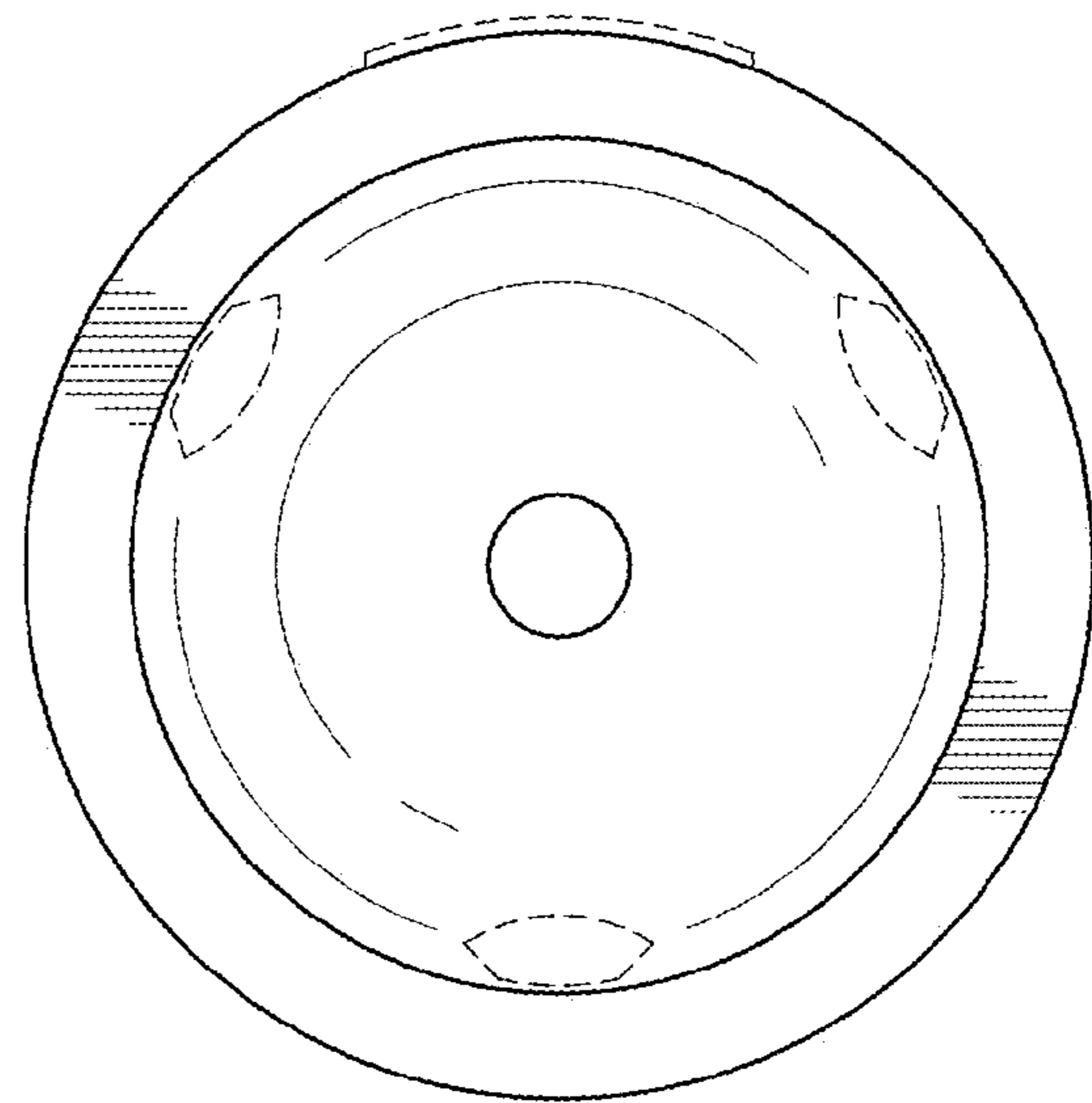


FIG. 8