



US00D902290S

(12) **United States Design Patent** (10) **Patent No.:** **US D902,290 S**
Newsom et al. (45) **Date of Patent:** **** Nov. 17, 2020**

(54) **HEAD-MOUNTED DISPLAY**

(71) Applicant: **Samsung Electronics Co., Ltd.**,
Suwon-si (KR)

(72) Inventors: **Guy Newsom**, London (GB); **Aleix
Ingles Elias**, London (GB)

(73) Assignee: **Samsung Electronics Co., Ltd.**,
Suwon-si (KR)

(**) Term: **15 Years**

(21) Appl. No.: **29/674,240**

(22) Filed: **Dec. 20, 2018**

(30) **Foreign Application Priority Data**

Jul. 4, 2018 (KR) 30-2018-0030872

(51) **LOC (12) Cl.** **16-06**

(52) **U.S. Cl.**
USPC **D16/309**

(58) **Field of Classification Search**

USPC 348/115, 53, 121, 739; 345/7-9, 905;
351/158, 153, 144; D14/125, 126, 129,
(Continued)

(56) **References Cited**

U.S. PATENT DOCUMENTS

D370,909 S * 6/1996 Oikawa D14/372
D590,003 S * 4/2009 Knecht D16/311
(Continued)

FOREIGN PATENT DOCUMENTS

CN 2016304397903 9/2017
CN 2017304510652 2/2018
(Continued)

OTHER PUBLICATIONS

“Samsung HMD Odyssey Mixed Reality Headset”, image review
date May 25, 2019, [online], [site visited Apr. 11, 2002]. Available

from Internet, <URL: https://www.amazon.com/Samsung-Electronics-Wireless-Controllers-XE800ZBA-HC1US/dp/B07HS7R1RT/ref=cm_cr_arp_d_product_top?ie=UTF8> (Year: 2019).*

Primary Examiner — Sanjeev Paul
(74) *Attorney, Agent, or Firm* — NSIP Law

(57) **CLAIM**

We claim the ornamental design for a head-mounted display,
as shown and described.

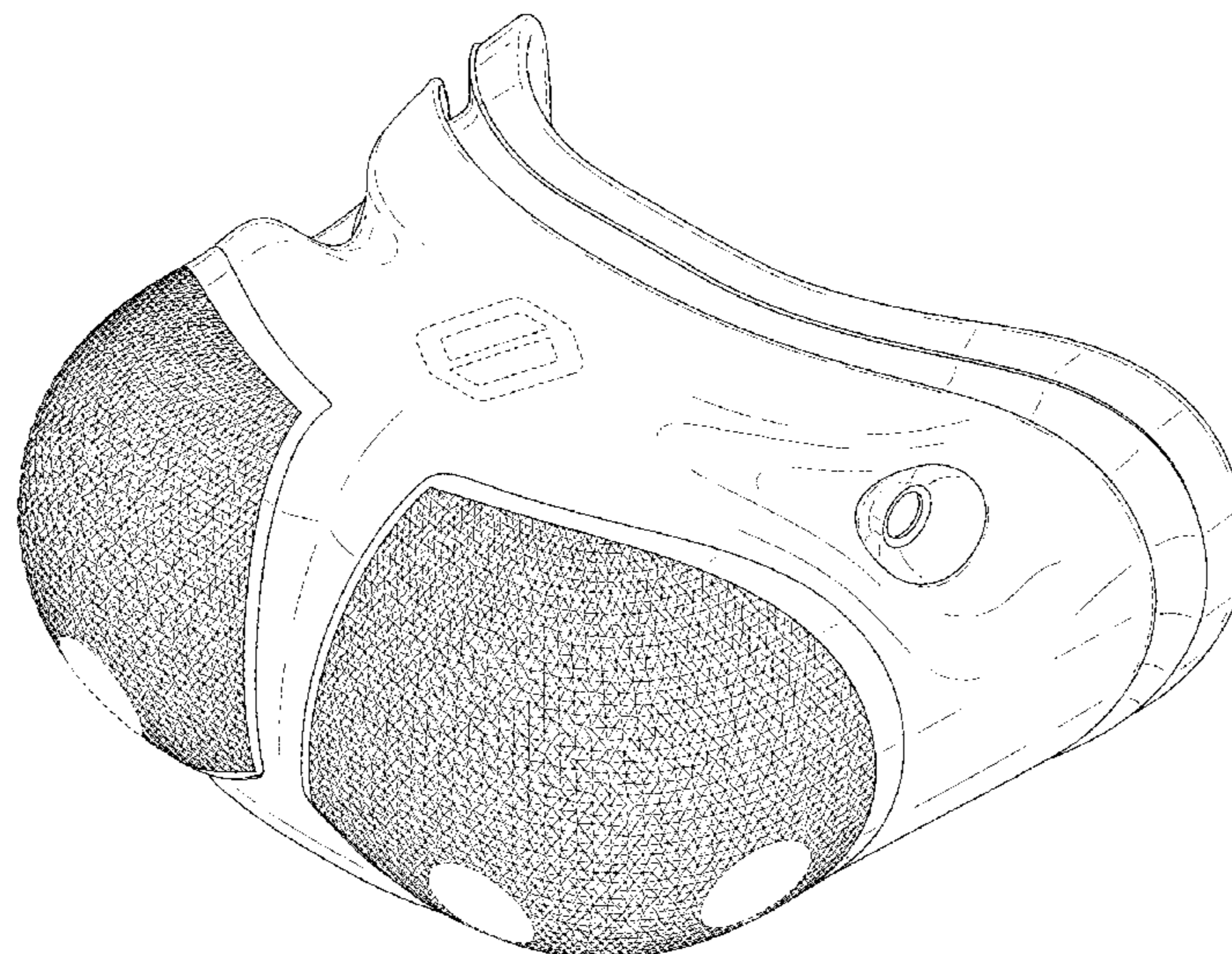
DESCRIPTION

FIG. 1 is a front perspective view of a head-mounted display showing our new design;
FIG. 2 is a front view thereof;
FIG. 3 is a rear view thereof;
FIG. 4 is a left-side view thereof;
FIG. 5 is a right-side view thereof;
FIG. 6 is a top view thereof;
FIG. 7 is a bottom view thereof;
FIG. 8 is a front perspective view of a head-mounted display in which a headband is provided in broken lines to illustrate an example environment;
FIG. 9 is an enlarged view of the encircled portion 9 in FIG. 2;
FIG. 10 is an enlarged view of the encircled portion 10 in FIG. 3; and,
FIG. 11 is an enlarged view of the encircled portion 11 in FIG. 7.

The broken lines in the figures depict portions of the head-mounted display which form no part of the claimed design. The broken lines shown in FIG. 8 are provided for environmental purposes only and form no part of the claimed design.

The dot-dash broken lines encircling portions of the claimed design that are illustrated in enlargements form no part of the claimed design.

1 Claim, 11 Drawing Sheets



(58) **Field of Classification Search**

USPC D14/299, 372, 496, 432; D16/101, 300,
 D16/303-304, 309-315, 317-323,
 D16/325-340; D29/108, 109, 110, 112
 CPC A63B 33/00; A63B 33/002; A63B
 2033/004; A63B 2033/006; A63B
 2033/008; G02C 2200/08; G02C 2200/22;
 G02C 5/008; G02C 5/14; G02C 5/16;
 G02C 5/146; G02C 5/2254; G02C 1/06;
 G02C 11/02; G02C 11/04; A61M
 2021/0044; B63C 11/12; A61F 9/00;
 A61F 9/02

See application file for complete search history.

(56) **References Cited**

U.S. PATENT DOCUMENTS

D732,028 S * 6/2015 Kim D14/372
 D741,326 S * 10/2015 Bosveld D14/372
 D741,327 S * 10/2015 Reznik D14/372
 D748,628 S * 2/2016 Bosveld D14/372
 D749,580 S * 2/2016 Kim D14/372
 D749,583 S * 2/2016 Luckey D14/372
 D751,072 S * 3/2016 Lyons D14/372
 D753,111 S * 4/2016 Fei D14/372
 D753,112 S * 4/2016 Fei D14/372
 D753,113 S * 4/2016 Fei D14/372
 D753,725 S * 4/2016 Palmer, Jr. D14/203.1
 D759,654 S * 6/2016 Sullivan D14/372
 D761,258 S * 7/2016 Zellweger D14/372
 D763,256 S * 8/2016 Zellweger D14/372
 D764,466 S * 8/2016 Kim D14/372
 D768,627 S * 10/2016 Rochat D14/372
 D769,242 S * 10/2016 Kymm D14/372
 D771,040 S * 11/2016 Nuovo D14/372
 D771,627 S * 11/2016 Ko D14/372
 D777,164 S * 1/2017 Zellweger D14/372
 D778,909 S * 2/2017 Nokuo D14/372
 D779,486 S * 2/2017 Zellweger D14/372
 D780,751 S * 3/2017 Park D14/372
 D781,288 S * 3/2017 Park D14/372
 D781,289 S * 3/2017 Patel D14/372
 D785,619 S * 5/2017 Su D14/372
 D791,129 S * 7/2017 Sullivan D14/372
 D792,399 S * 7/2017 Thomas D14/372
 D792,401 S * 7/2017 Tang D14/372
 D795,867 S * 8/2017 Huang D14/372
 D798,298 S * 9/2017 Haber D14/372
 D799,482 S * 10/2017 Thomas D14/372
 D800,116 S * 10/2017 Yee D14/372
 D800,726 S * 10/2017 Su D14/372
 D800,727 S * 10/2017 Mullins D14/372
 D801,969 S * 11/2017 Yee D14/372
 D801,970 S * 11/2017 Sullivan D14/372
 D803,213 S * 11/2017 Kim D14/372
 D805,071 S * 12/2017 Park D14/372
 D805,074 S * 12/2017 Hu D14/372
 D805,515 S * 12/2017 Bowes et al.
 D806,073 S * 12/2017 Li D14/372
 D806,075 S * 12/2017 Chen D14/372
 D807,354 S * 1/2018 Yee D14/372
 D807,357 S * 1/2018 Wu D14/372

D807,358 S * 1/2018 Huang D14/372
 D810,081 S * 2/2018 Lin D14/372
 D810,742 S * 2/2018 Robertson D14/372
 D810,743 S * 2/2018 Yee D14/372
 D813,233 S * 3/2018 Lee D14/372
 D815,637 S * 4/2018 Li D14/372
 D816,670 S * 5/2018 Hsu D14/372
 D817,955 S * 5/2018 Sun D14/372
 D819,634 S * 6/2018 Pang D14/372
 D819,635 S * 6/2018 Miller D14/372
 D820,259 S * 6/2018 Lee D14/372
 D822,659 S * 7/2018 Spio D14/372
 D822,660 S * 7/2018 Robertson D14/372
 D823,855 S * 7/2018 Robertson D14/372
 D825,560 S * 8/2018 Gribetz D14/372
 D827,015 S * 8/2018 Chen D16/312
 D831,029 S * 10/2018 Gu D14/372
 D834,016 S * 11/2018 Raffle D14/372
 D834,017 S * 11/2018 Beynel D14/372
 D836,103 S * 12/2018 Robertson D14/372
 D836,628 S * 12/2018 Chen D14/372
 D838,719 S * 1/2019 Wei D14/372
 D839,268 S * 1/2019 Spio D14/372
 D839,269 S * 1/2019 Wang D14/372
 D839,871 S * 2/2019 Wei D14/372
 D839,872 S * 2/2019 Wei D14/372
 D840,399 S * 2/2019 Miller D14/372
 D844,605 S * 4/2019 Yeh D14/372
 D852,878 S * 7/2019 Li D16/309
 D853,383 S * 7/2019 Dallmeyer D14/372
 D853,467 S * 7/2019 Chen D16/312
 D856,328 S * 8/2019 Xing D14/372
 D856,330 S * 8/2019 Wei D14/372
 D857,692 S * 8/2019 Conlee, IV D14/372
 D858,521 S * 9/2019 Neil D14/372
 D860,199 S * 9/2019 McGinty, Jr. D14/372
 D860,200 S * 9/2019 McGinty, Jr. D14/372
 D860,992 S * 9/2019 Bristol D14/372
 D862,469 S * 10/2019 Sadot D14/372
 D863,300 S * 10/2019 Boger D14/372
 D865,764 S * 11/2019 Miller D14/372
 D866,552 S * 11/2019 Young D14/372
 D867,362 S * 11/2019 Chou D14/372
 D870,727 S * 12/2019 Nie D14/372
 D871,404 S * 12/2019 Denhez D14/372
 D872,079 S * 1/2020 Huang D14/372
 D872,081 S * 1/2020 Denhez D14/372
 D872,084 S * 1/2020 Reed D14/372
 D874,459 S * 2/2020 Limaye D14/372
 D875,093 S * 2/2020 Park D14/372
 D875,094 S * 2/2020 Miller D14/372
 D878,366 S * 3/2020 Newsom D14/372
 2016/0004085 A1 * 1/2016 Stroetmann G02B 27/017
 345/8
 2019/0129182 A1 * 5/2019 Hu G02B 6/003

FOREIGN PATENT DOCUMENTS

EM 002820688-0001 * 10/2015
 EM 003099969-0001 5/2016
 EM 003451178-0001 12/2016

* cited by examiner

FIG. 1

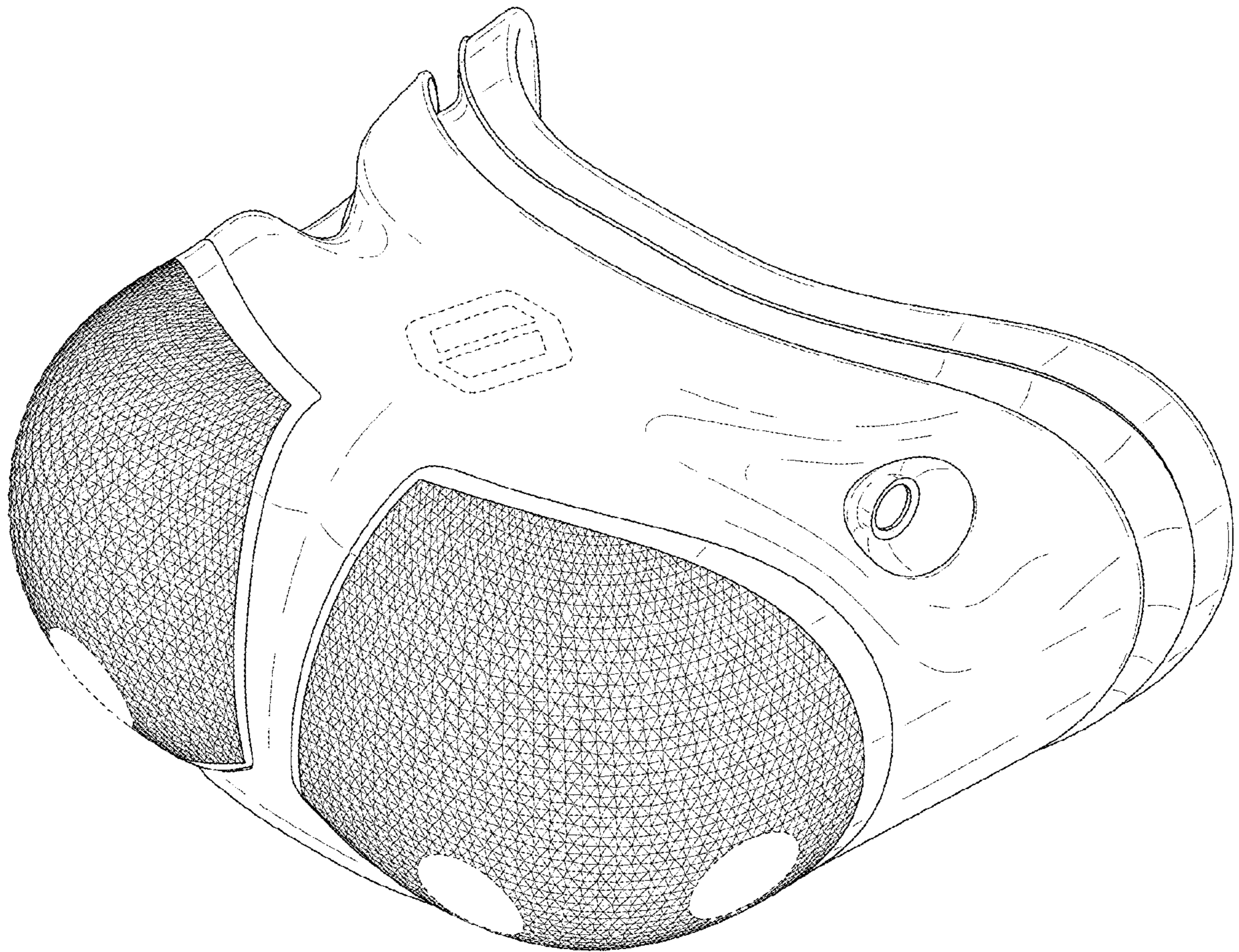


FIG. 2

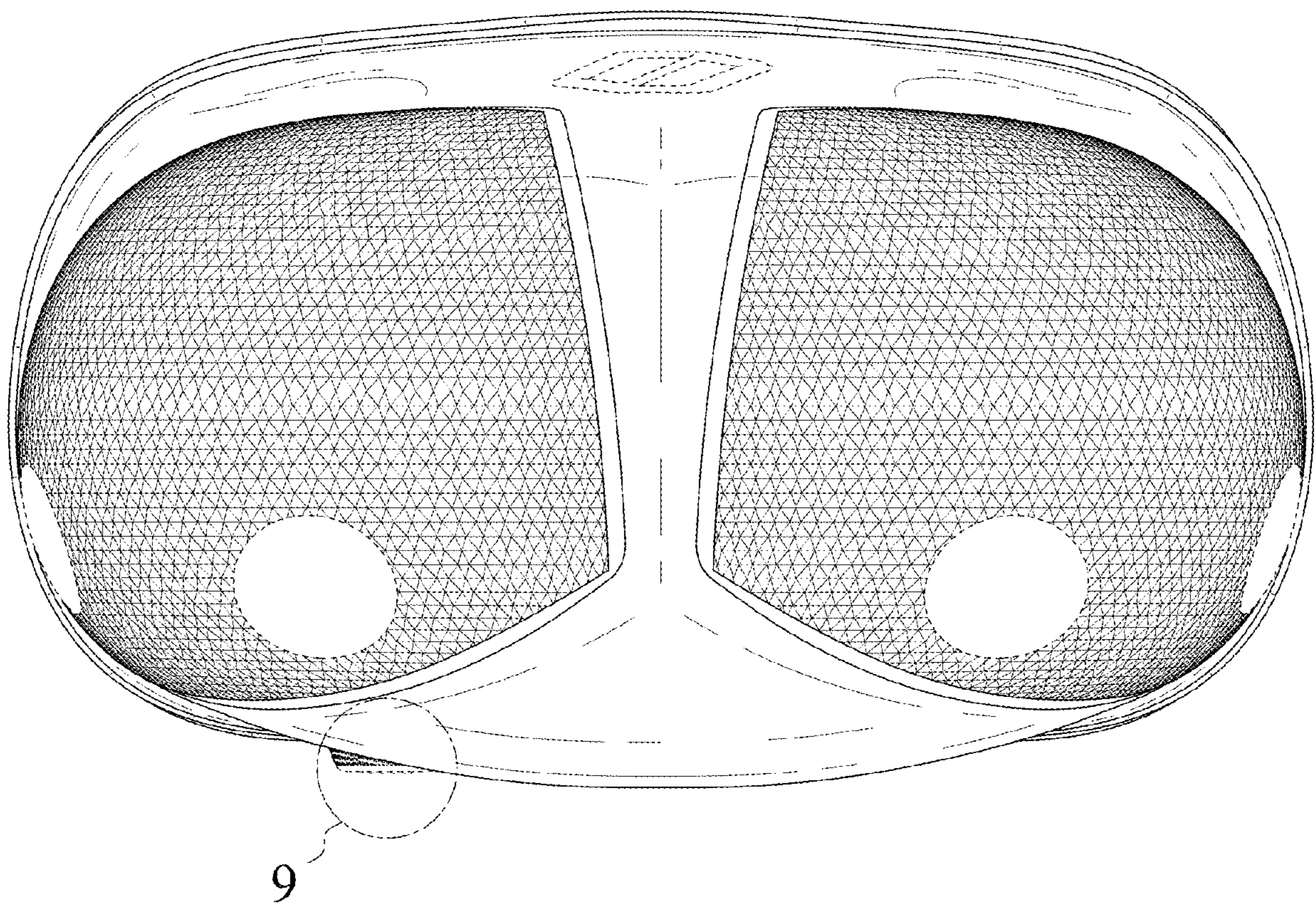


FIG. 3

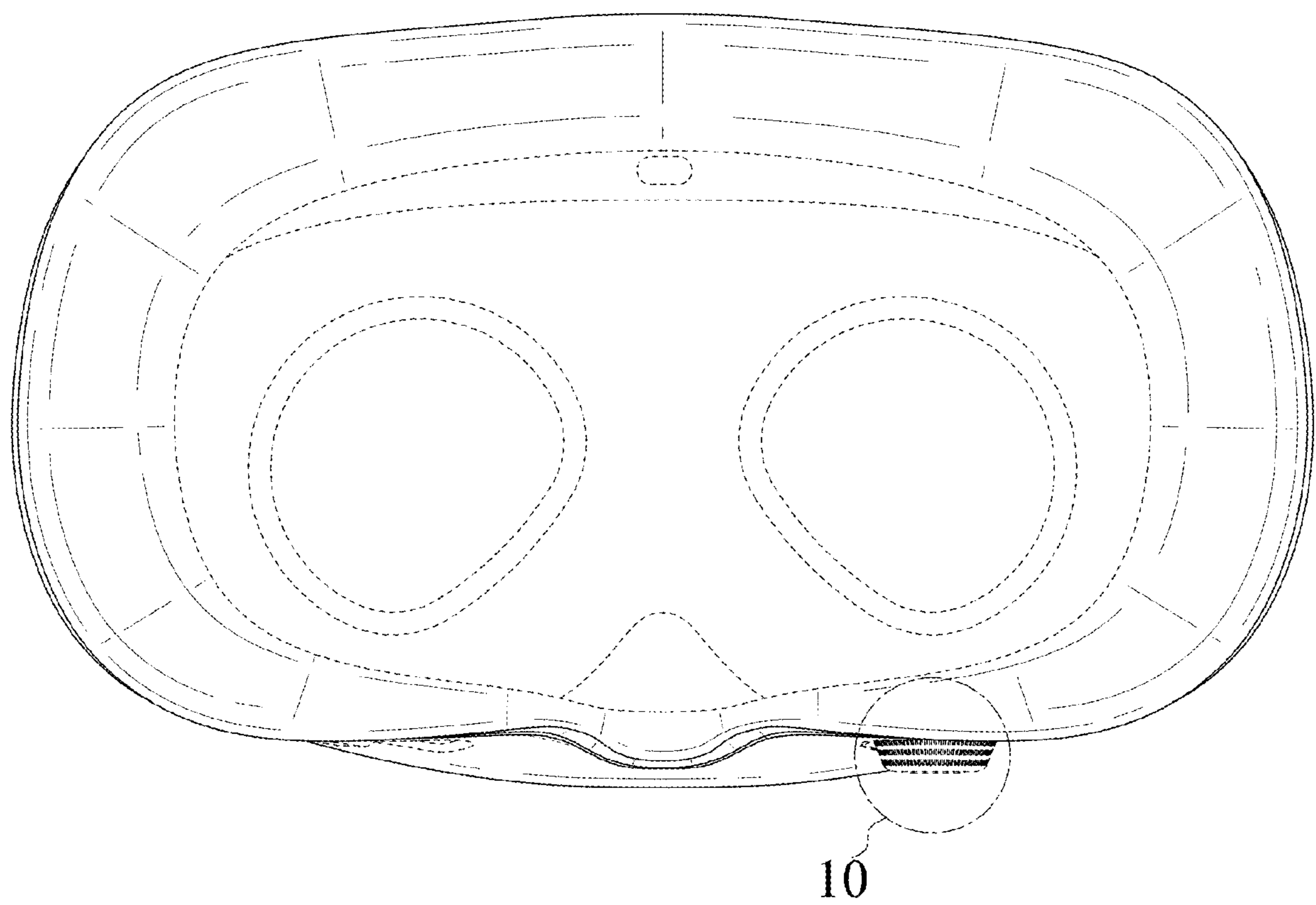


FIG. 4

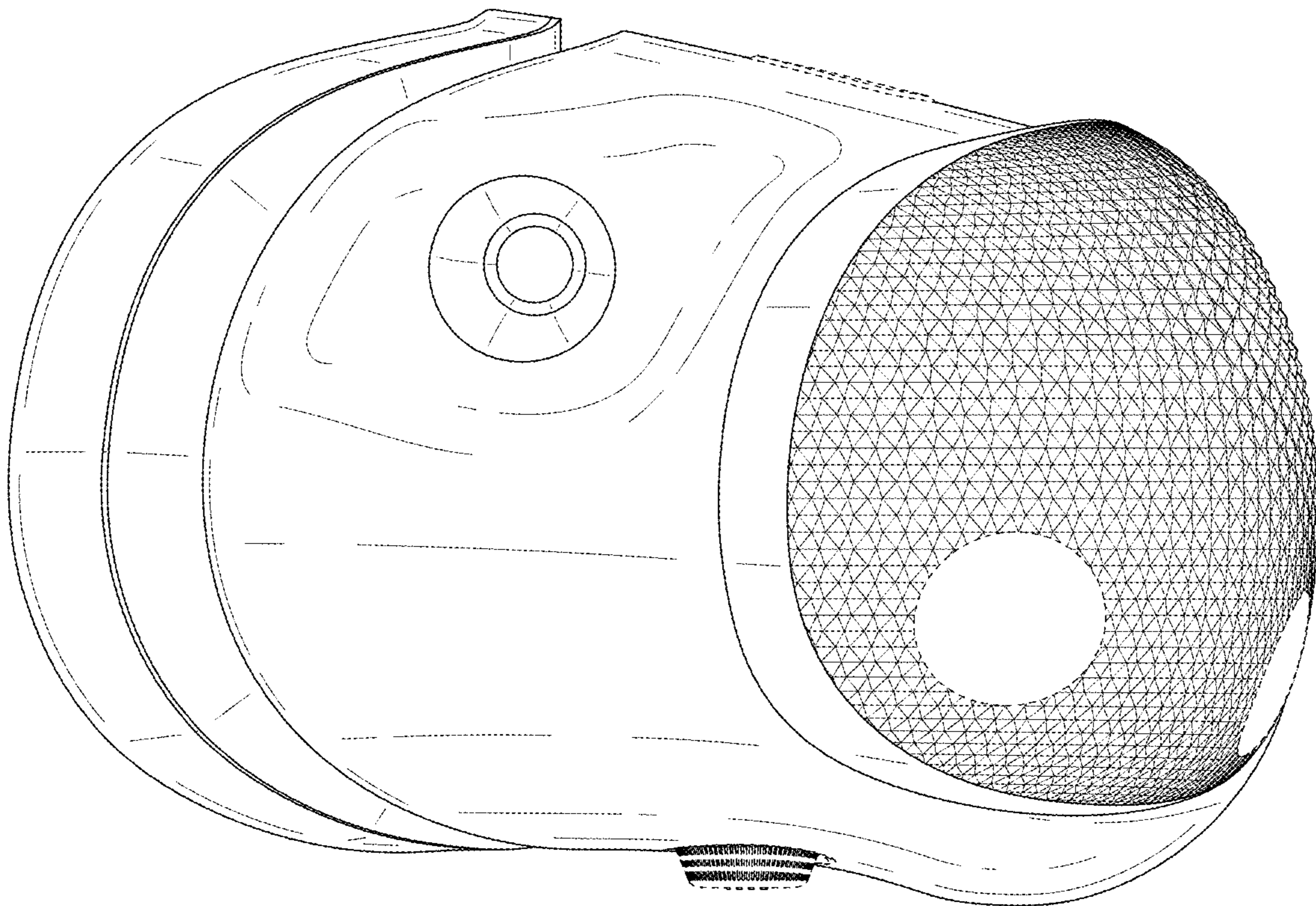


FIG. 5

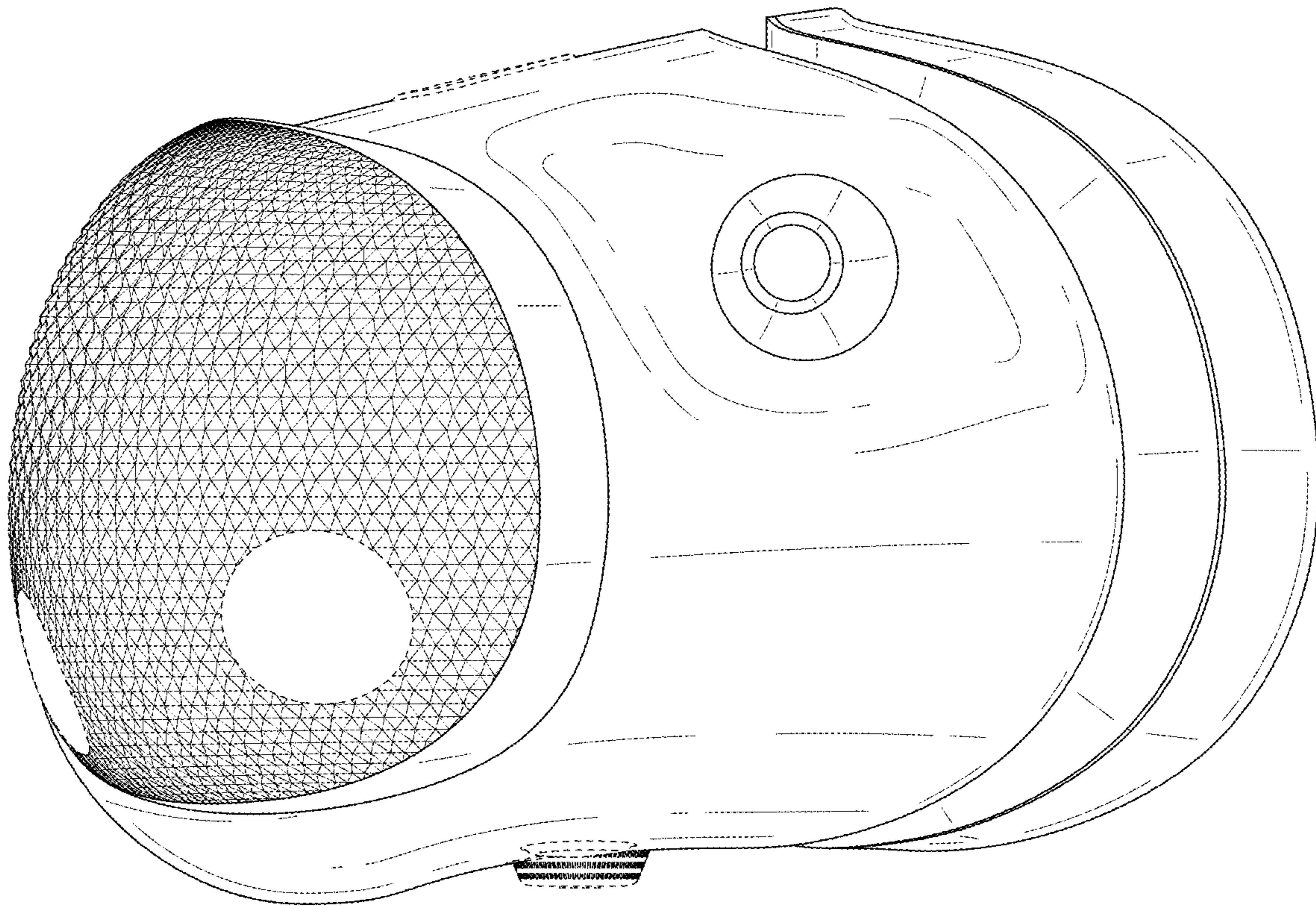


FIG. 6

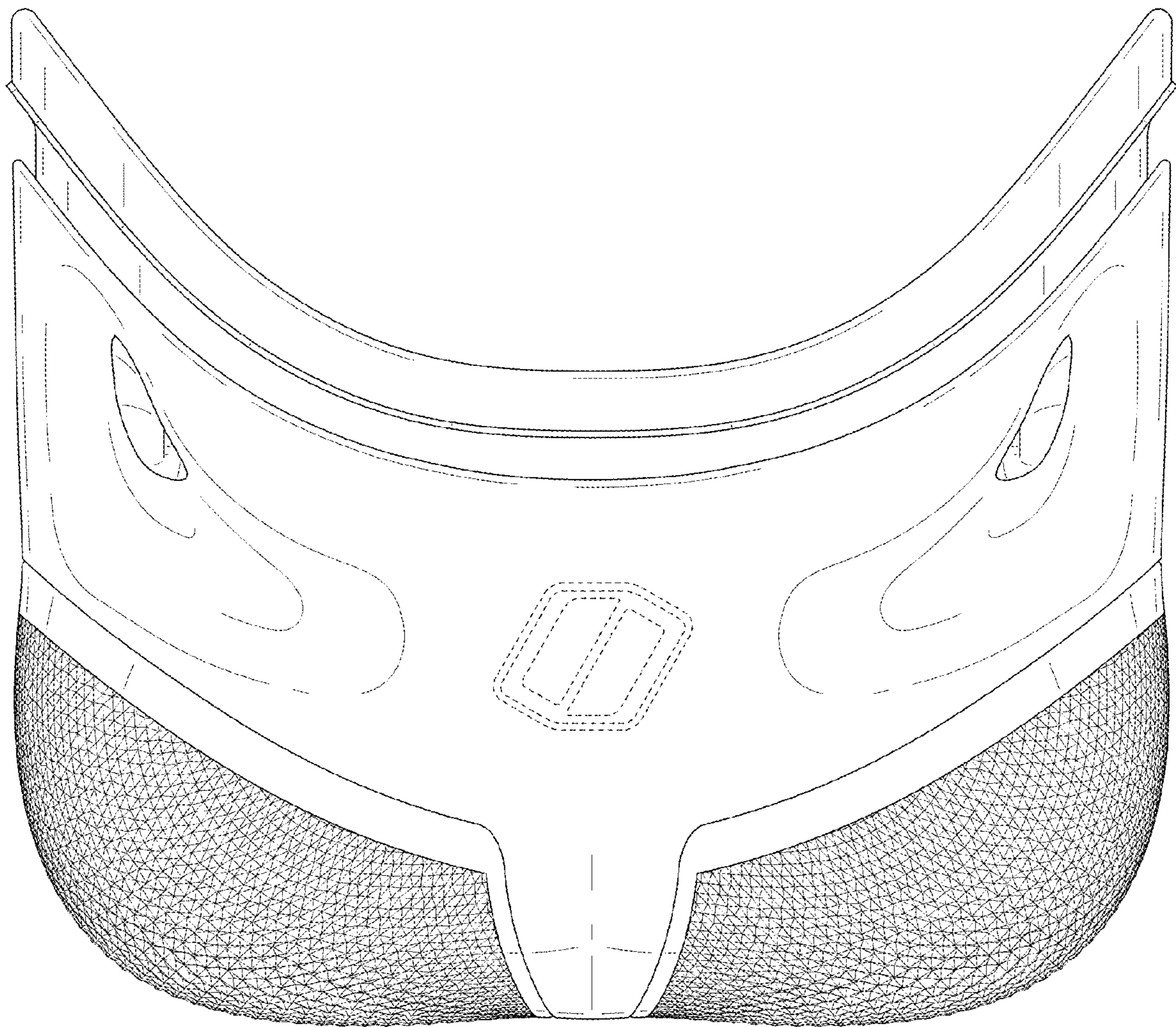


FIG. 7

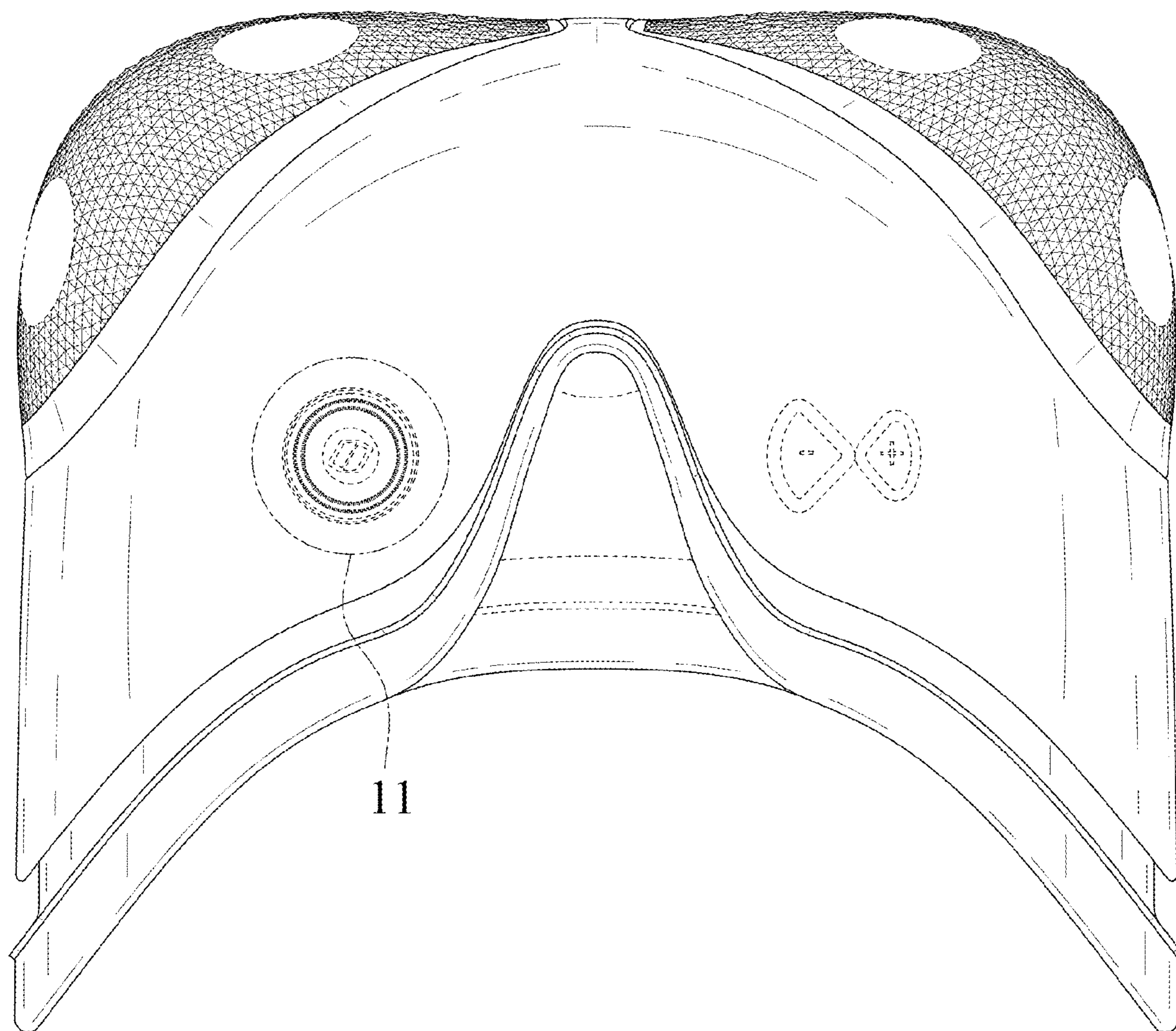


FIG. 8

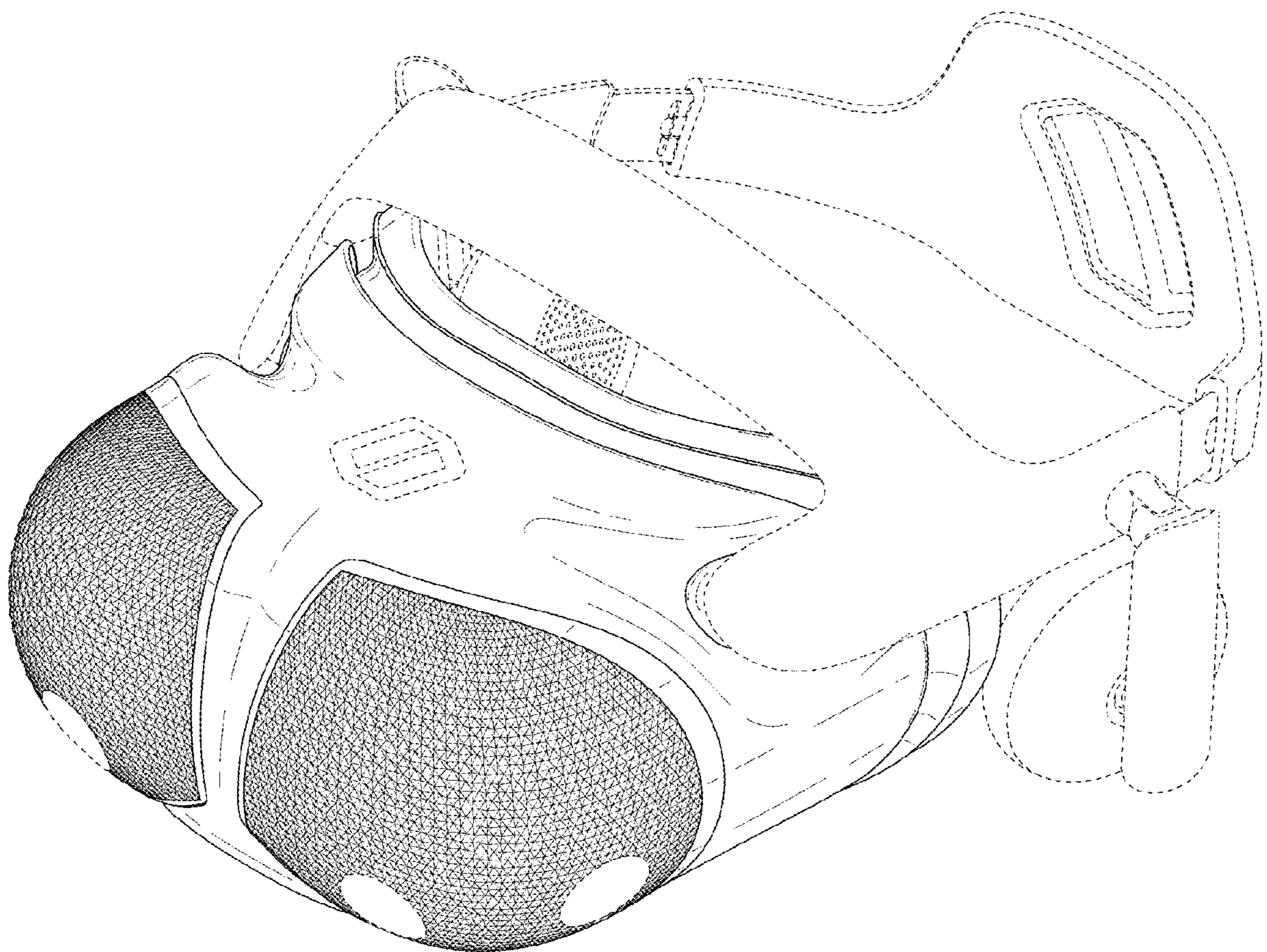


FIG. 9

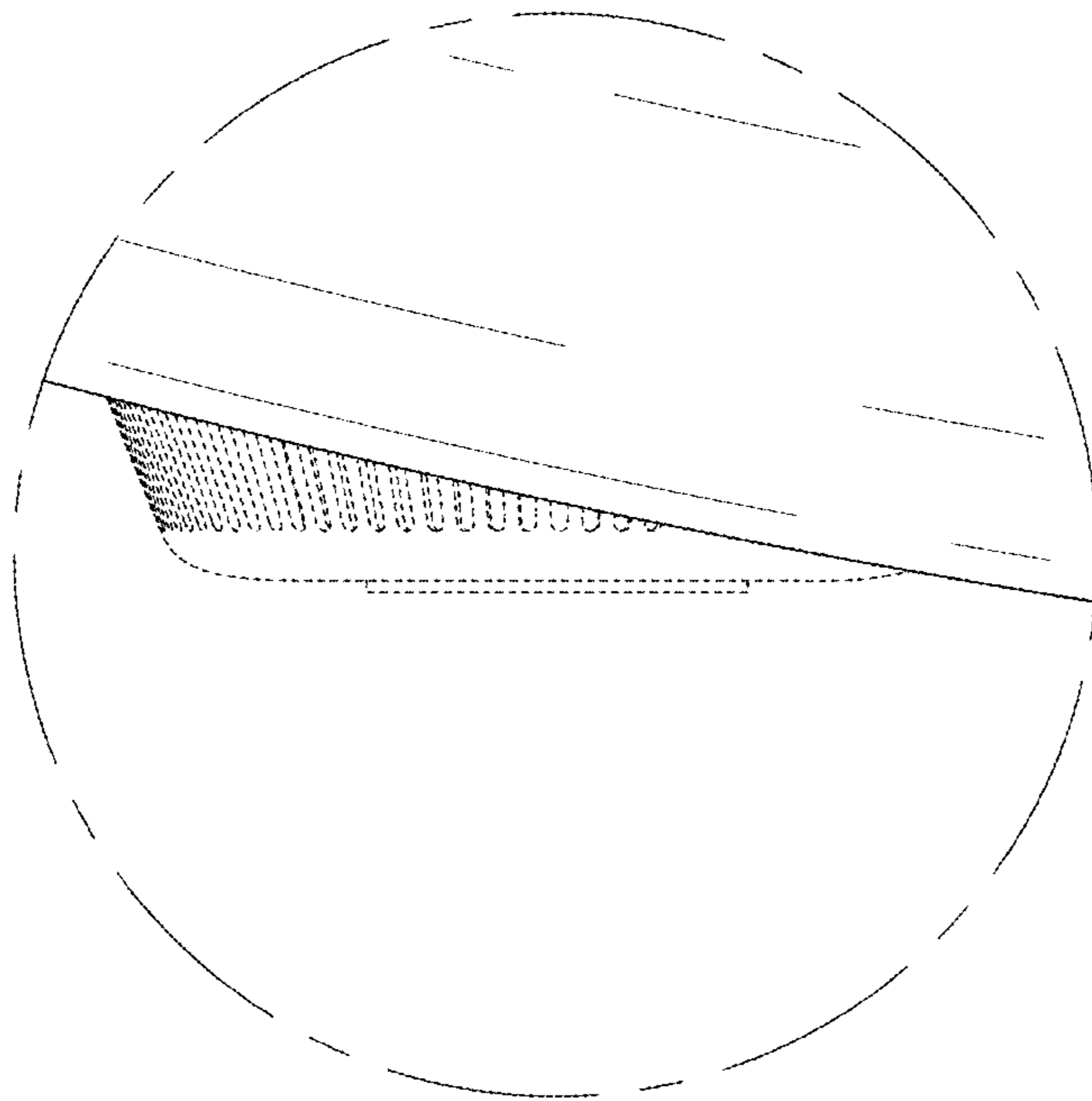


FIG. 10

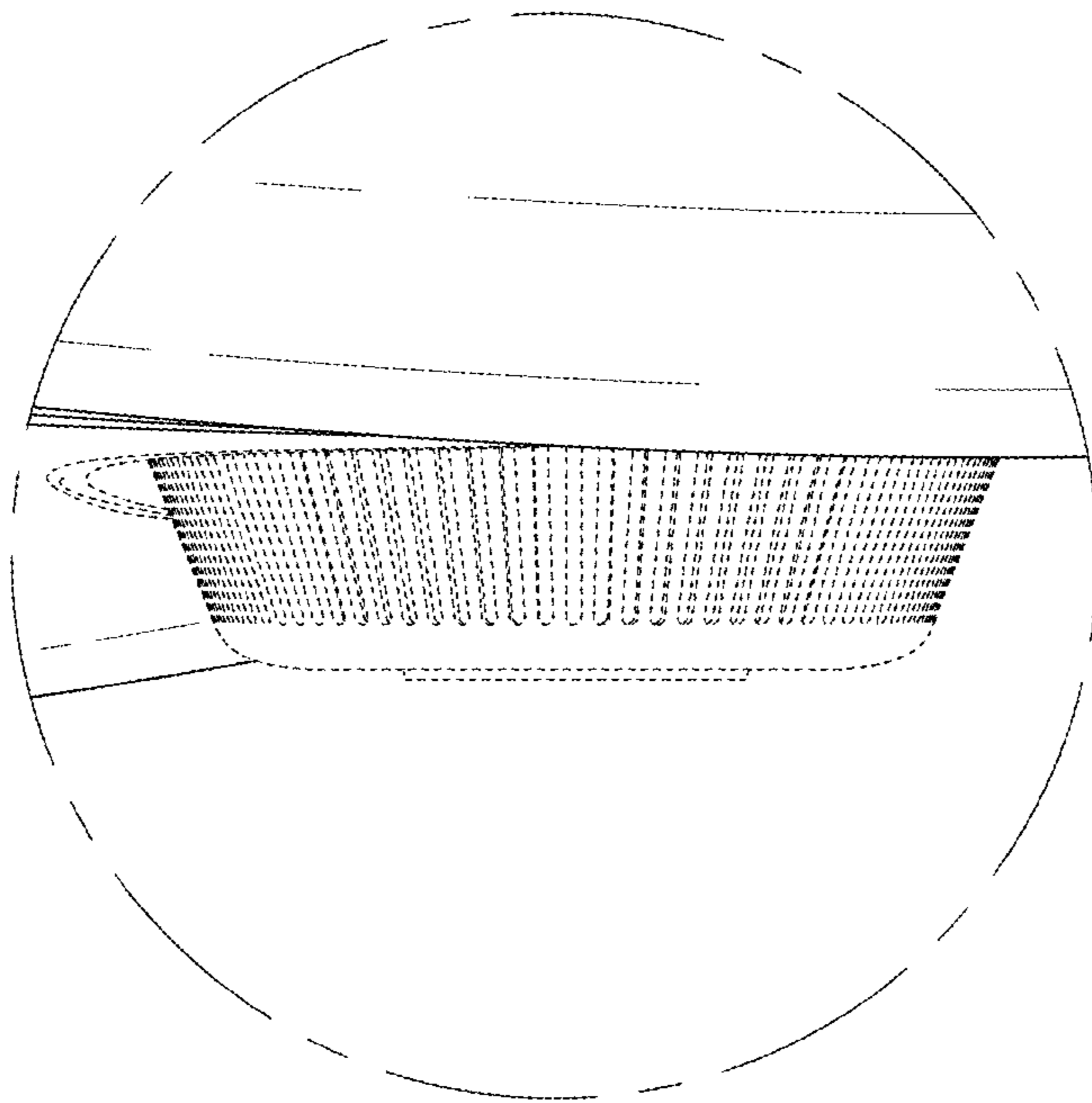


FIG. 11

