



US00D902289S

(12) **United States Design Patent** (10) **Patent No.:** **US D902,289 S**
Burns et al. (45) **Date of Patent:** **** Nov. 17, 2020**

(54) **CAMERA MOUNT**

(71) Applicant: **Amazon Technologies, Inc.**, Seattle, WA (US)

(72) Inventors: **Thomas Burns**, Boston, MA (US); **Emmanuel Laffon de Mazieres**, San Jose, CA (US); **Paul Douglas Grearson**, Andover, MA (US)

(73) Assignee: **Amazon Technologies, Inc.**, Seattle, WA (US)

(**) Term: **15 Years**

(21) Appl. No.: **29/683,882**

(22) Filed: **Mar. 15, 2019**

(51) **LOC (12) Cl.** **16-05**

(52) **U.S. Cl.**
USPC **D16/242**

(58) **Field of Classification Search**
USPC D16/237–250; D8/354, 355, 363, 373, D8/382, 383, 394, 396; D14/224, 229, D14/238, 251, 253
CPC G03B 17/56; G03B 17/561–566; F16M 11/14

See application file for complete search history.

(56) **References Cited**

U.S. PATENT DOCUMENTS

D405,815 S *	2/1999	Takizawa	D16/242
D549,709 S *	8/2007	Richter	D14/251
D588,903 S *	3/2009	Carnevali	D8/355
D638,406 S *	5/2011	Chiang	D14/224
D677,297 S *	3/2013	Bart	D16/203
D695,816 S *	12/2013	Raccah	D16/242
D727,333 S *	4/2015	Shih	D14/447
D788,571 S *	6/2017	Richter	D8/355
D801,414 S *	10/2017	Martin	D16/242

D806,522 S *	1/2018	Hsu	D8/355
9,920,876 B2 *	3/2018	Prugue	G03B 17/561
9,952,485 B1 *	4/2018	Luski	G03B 17/561
9,961,306 B1 *	5/2018	Lev	F16M 11/041
D873,897 S *	1/2020	Wengreen	D16/242
D875,736 S *	2/2020	Ramones	D14/447

OTHER PUBLICATIONS

Blink XT2 Camera Mounts—Black—3-Pack. [online] Published Jun. 24, 2019. Retrieved from URL: https://www.amazon.com/Blink-XT2-Camera-Mounts-3-Pack/product-reviews/B07PTMRBWH/ref=cm_cr_getr_d_paging_btm_next_14?ie=UTF8&reviewerType=all_reviews&pageNumber=14&sortBy=recent.*

* cited by examiner

Primary Examiner — Vy N Koenig

(74) *Attorney, Agent, or Firm* — Lee & Hayes, P.C.

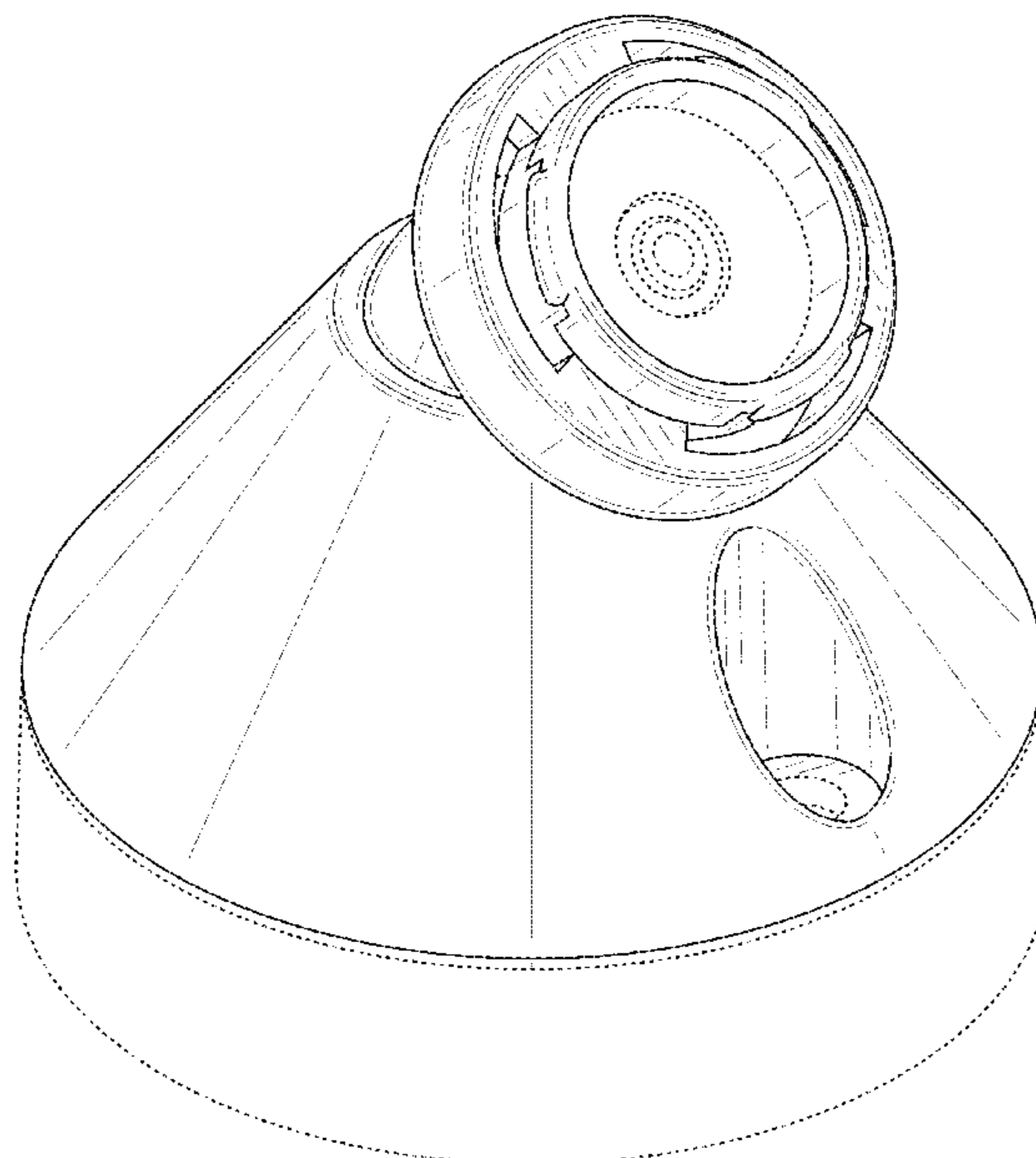
(57) **CLAIM**

The ornamental design for a camera mount, as shown and described.

DESCRIPTION

FIG. 1 is a front, left-side, top perspective view of a camera mount according to the present design; FIG. 2 is a front, right-side, bottom perspective view thereof; FIG. 3 is a back, right-side, top perspective view thereof; FIG. 4 is a back, left-side, bottom perspective view thereof; FIG. 5 is a right-side elevation view thereof; FIG. 6 is a left-side elevation view thereof; FIG. 7 is a top plan view thereof; FIG. 8 is a bottom plan view thereof; FIG. 9 is a front elevation view thereof; and, FIG. 10 is a back elevation view thereof. The dashed broken lines depict portions of the camera mount that form no part of the claimed design.

1 Claim, 10 Drawing Sheets



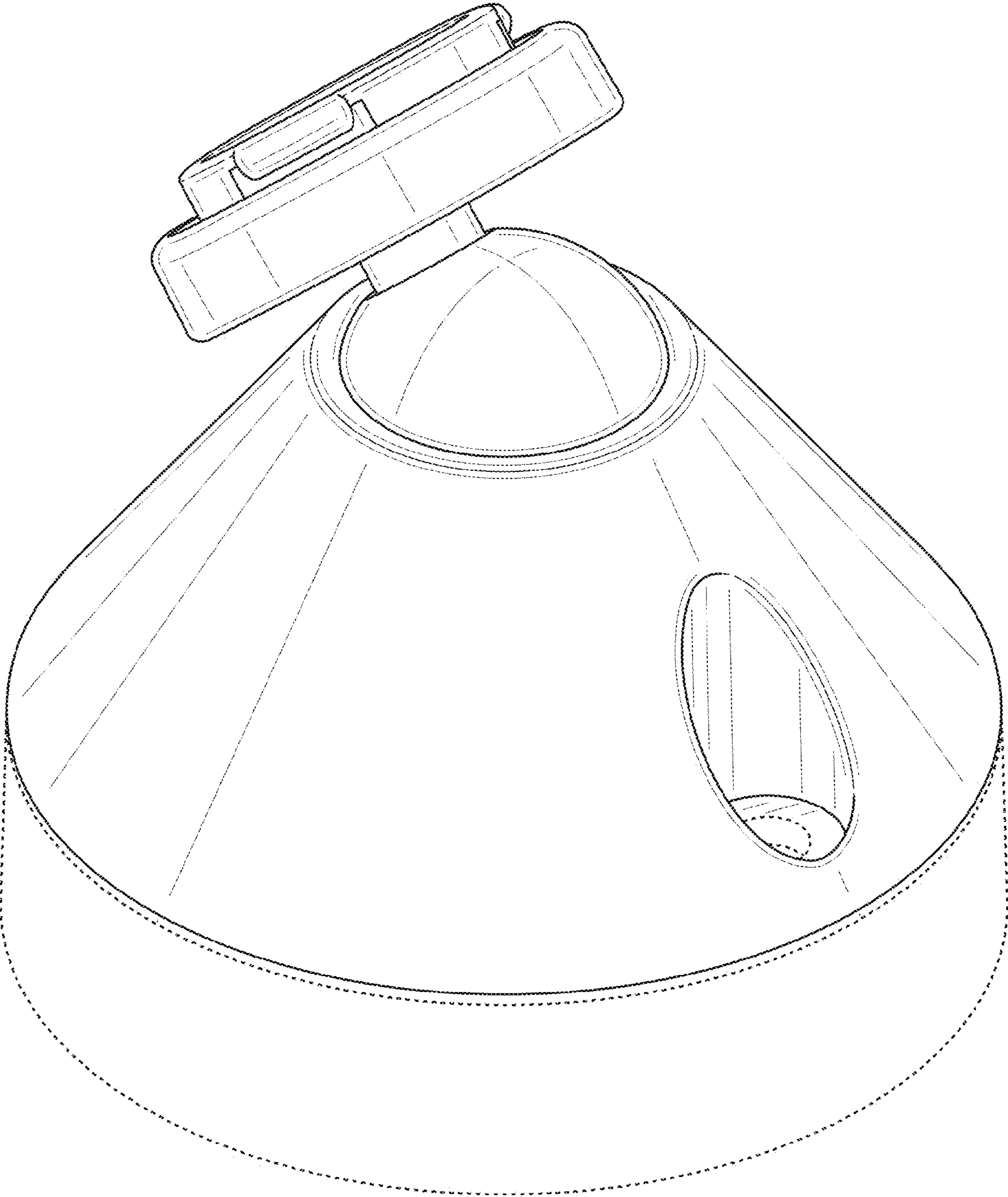


FIG. 1

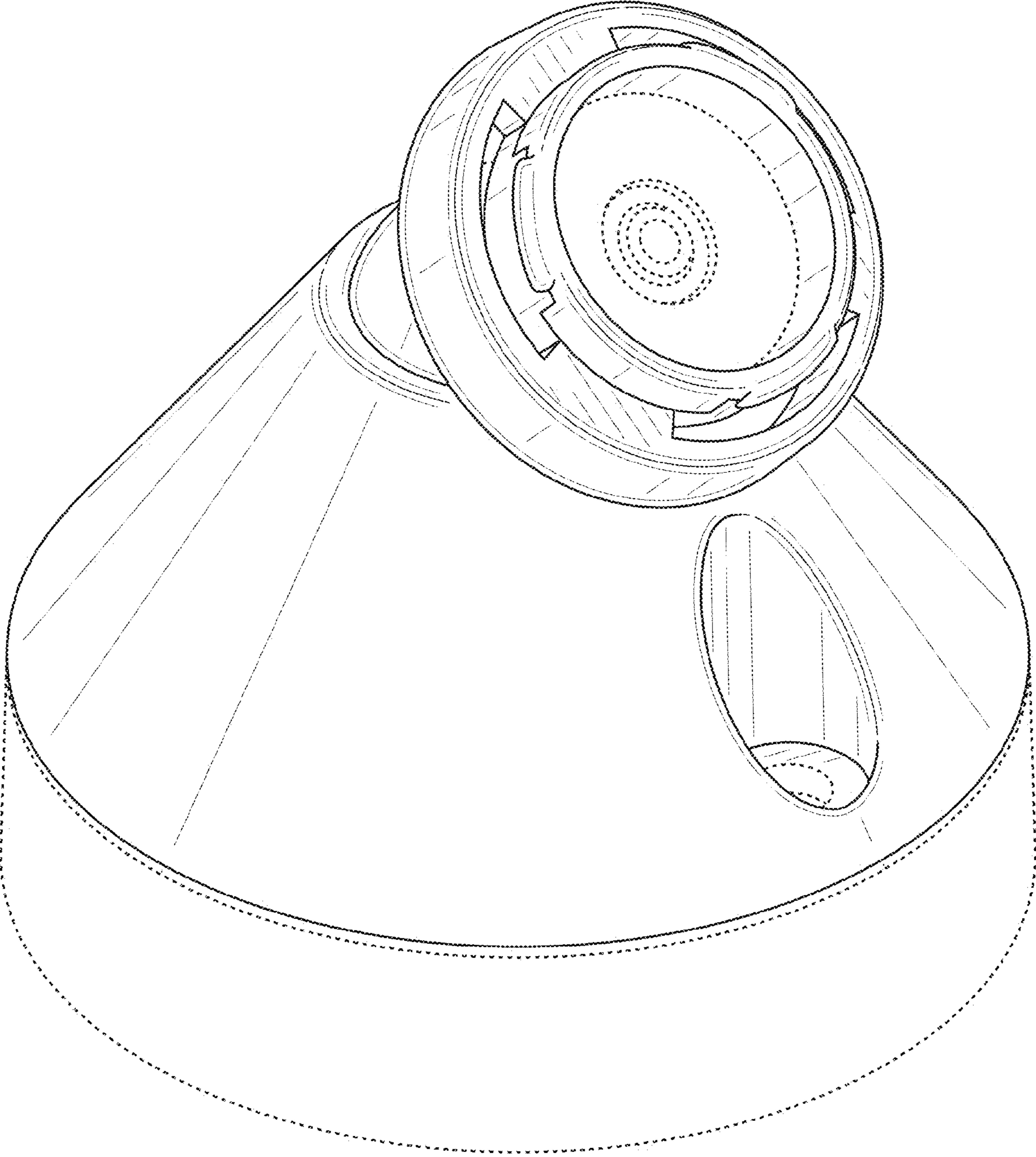


FIG. 2

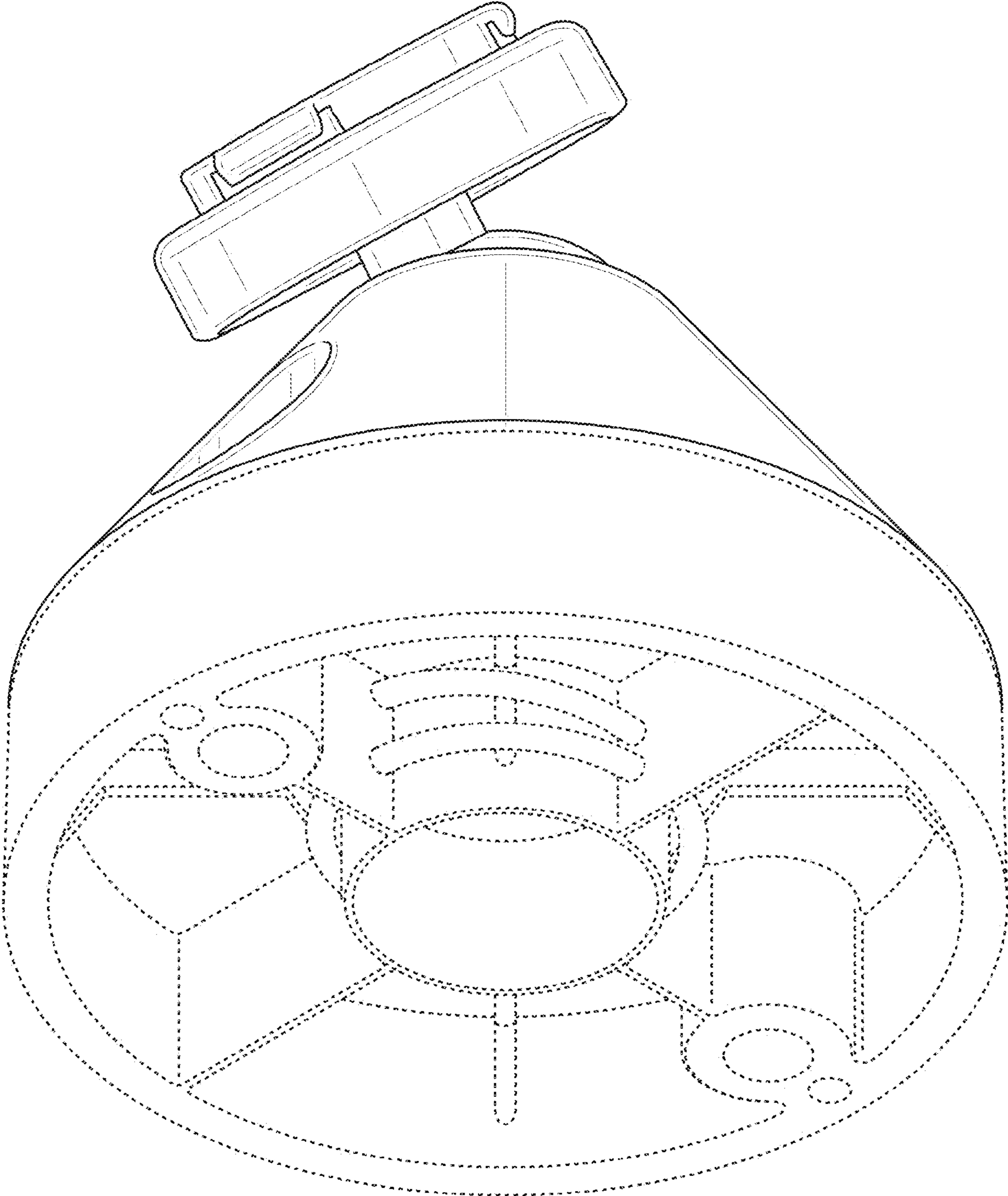


FIG. 3

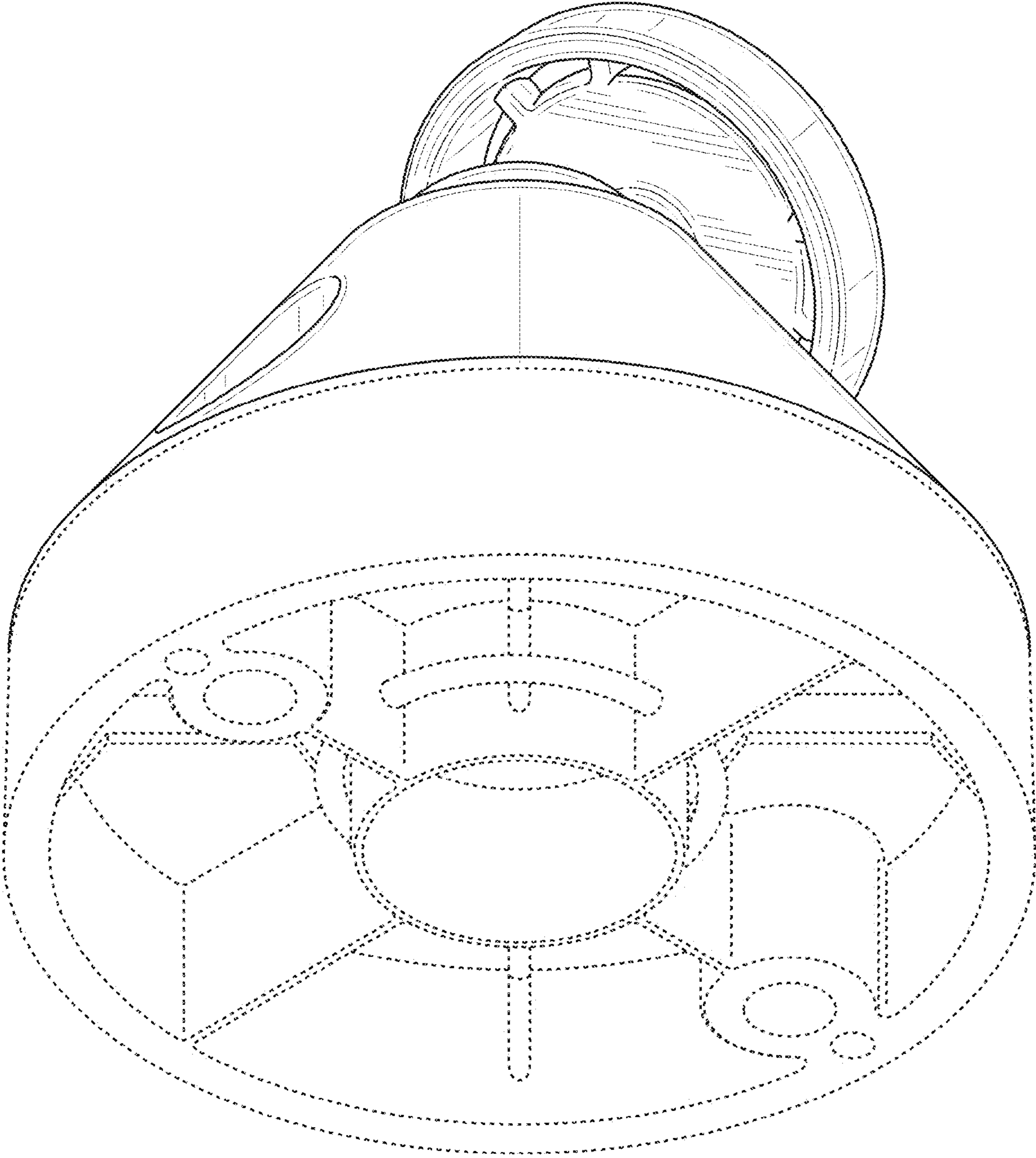


FIG. 4

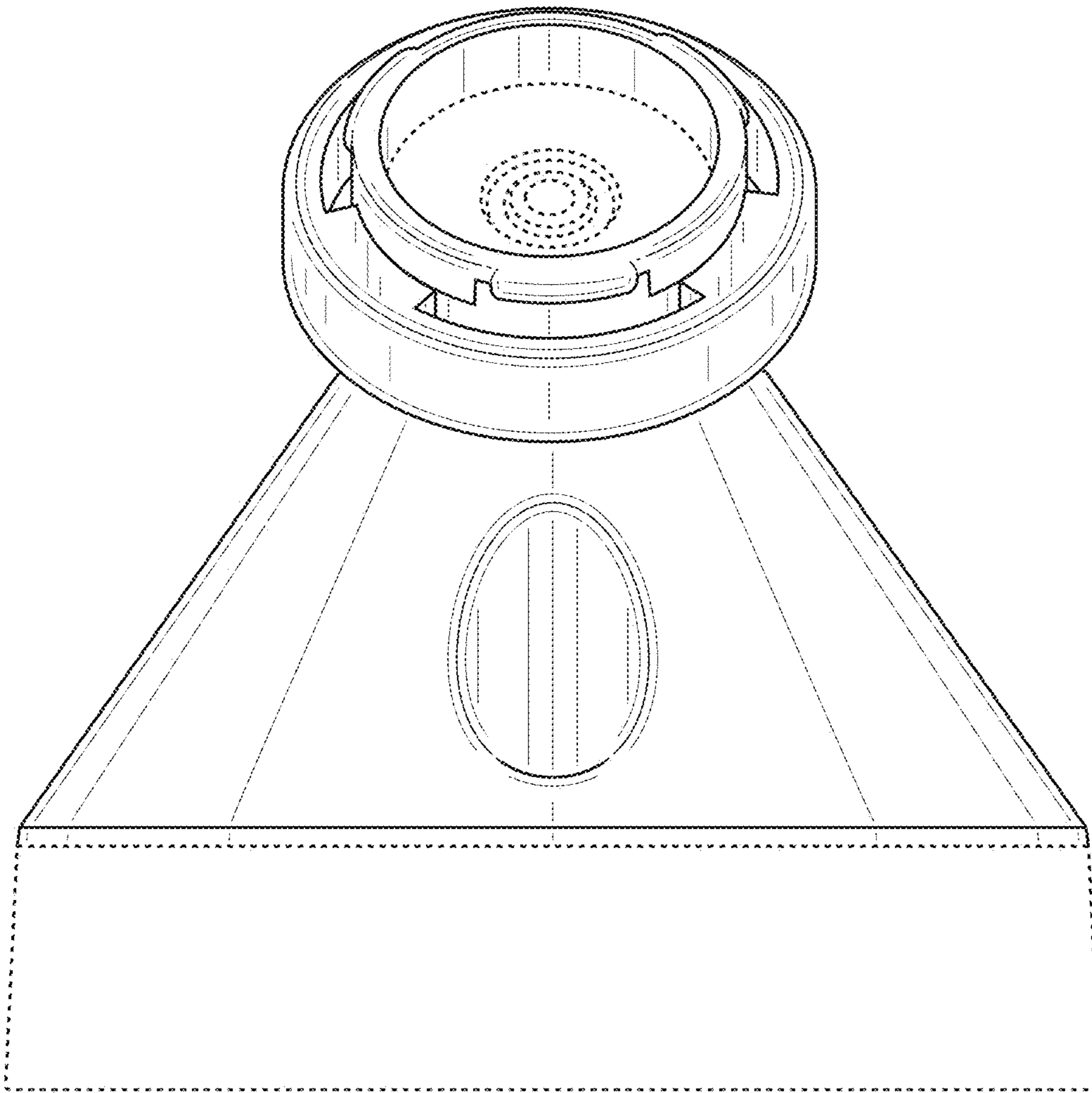


FIG. 5

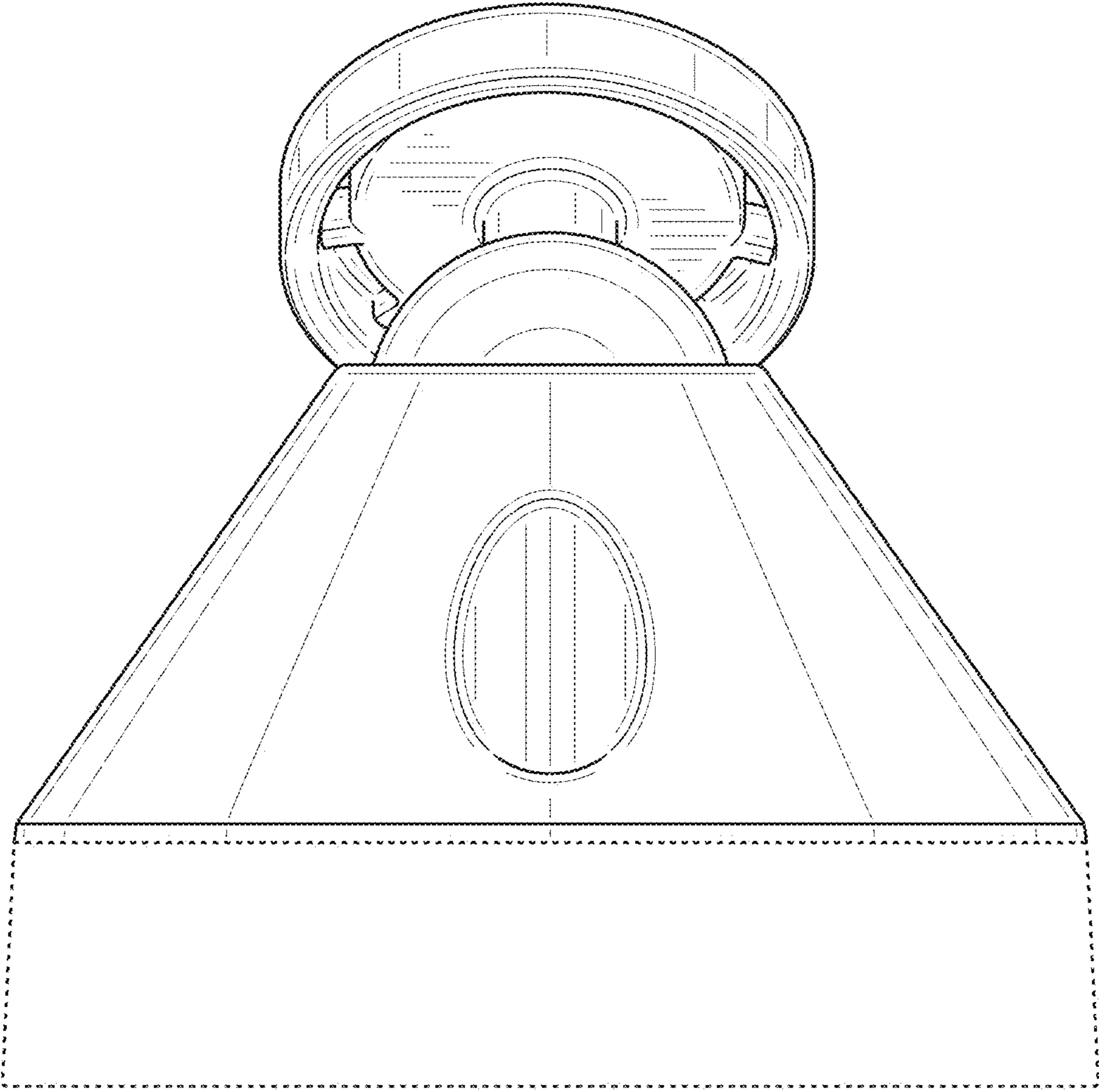


FIG. 6

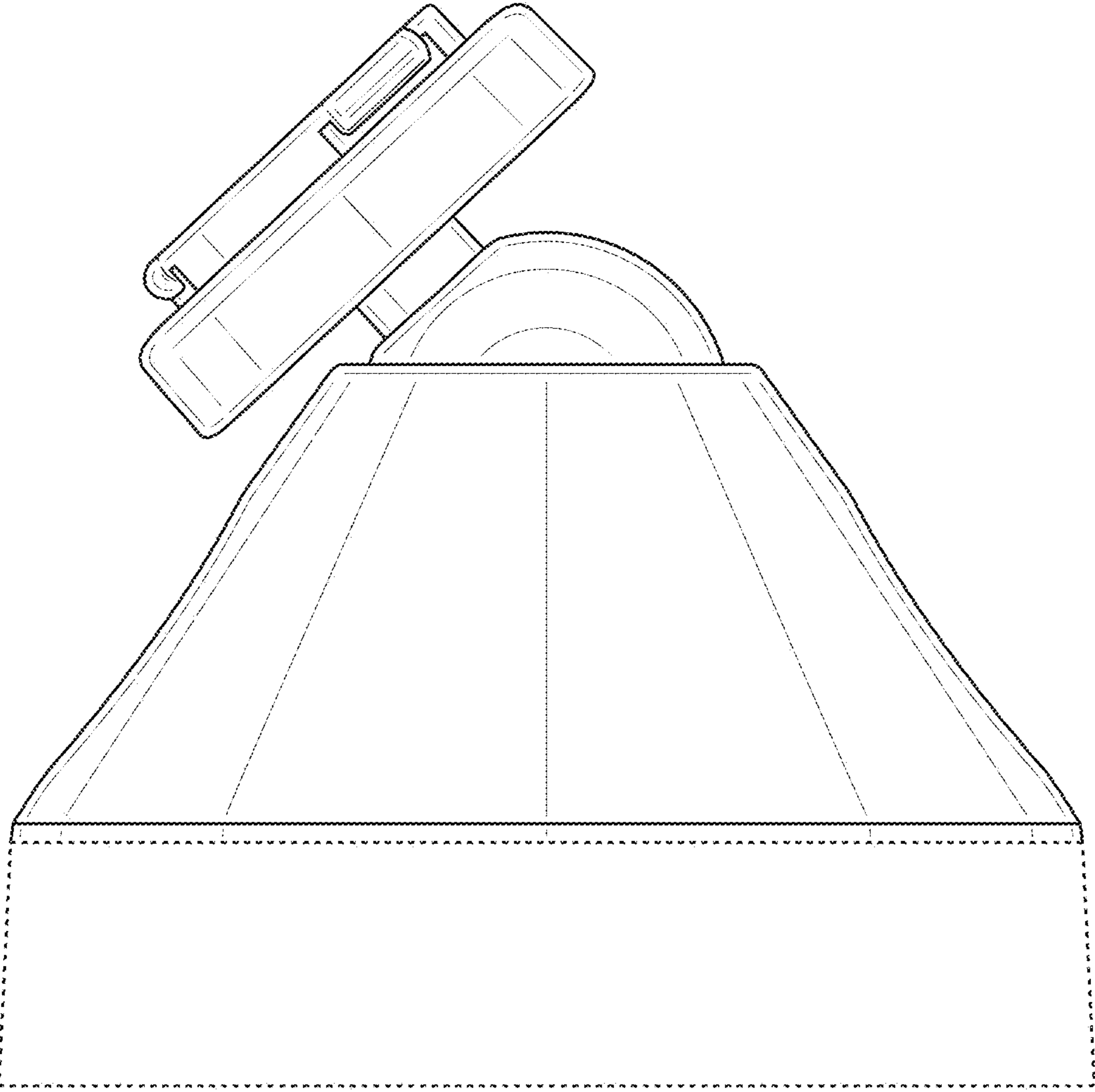


FIG. 7

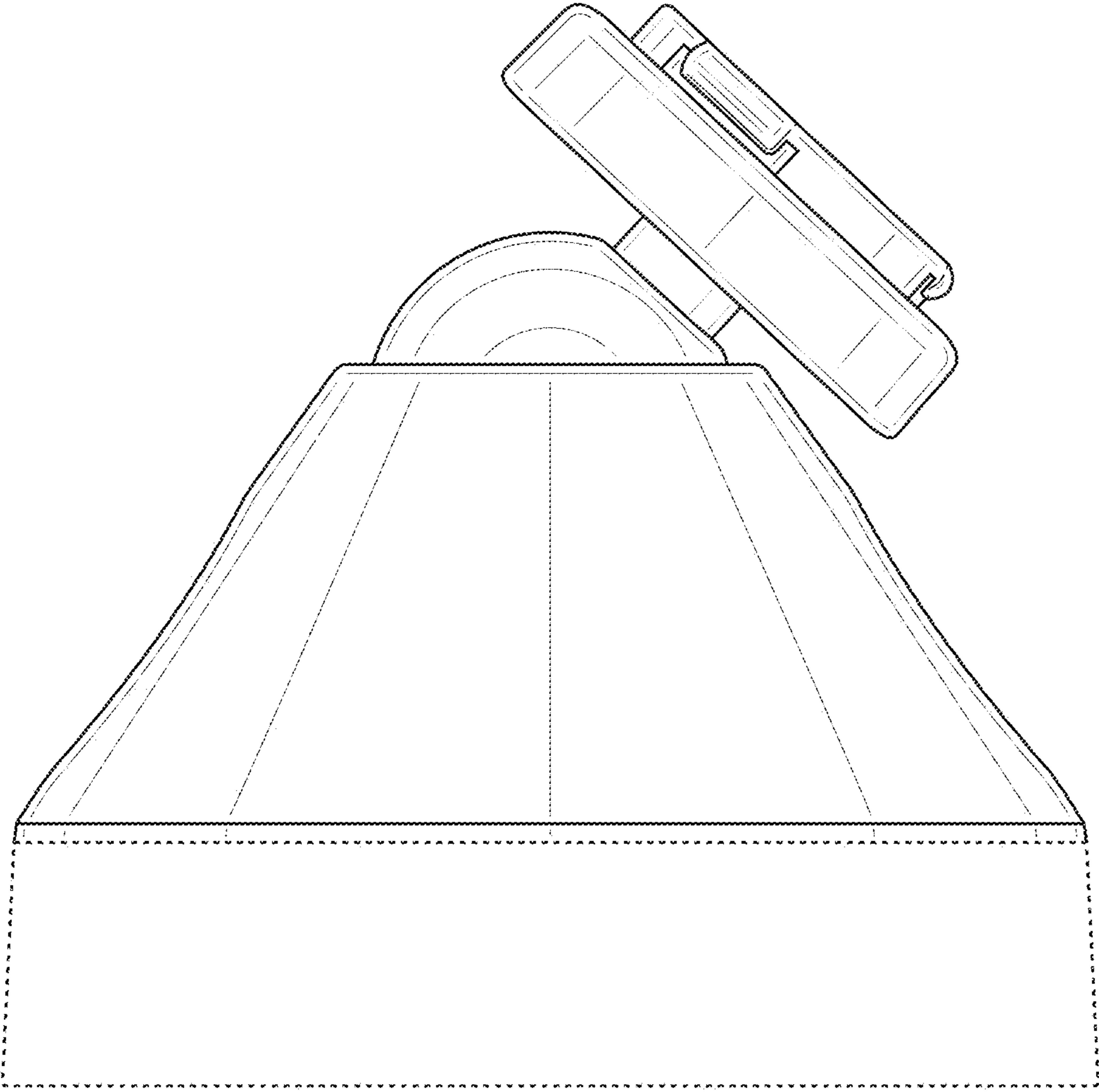


FIG. 8

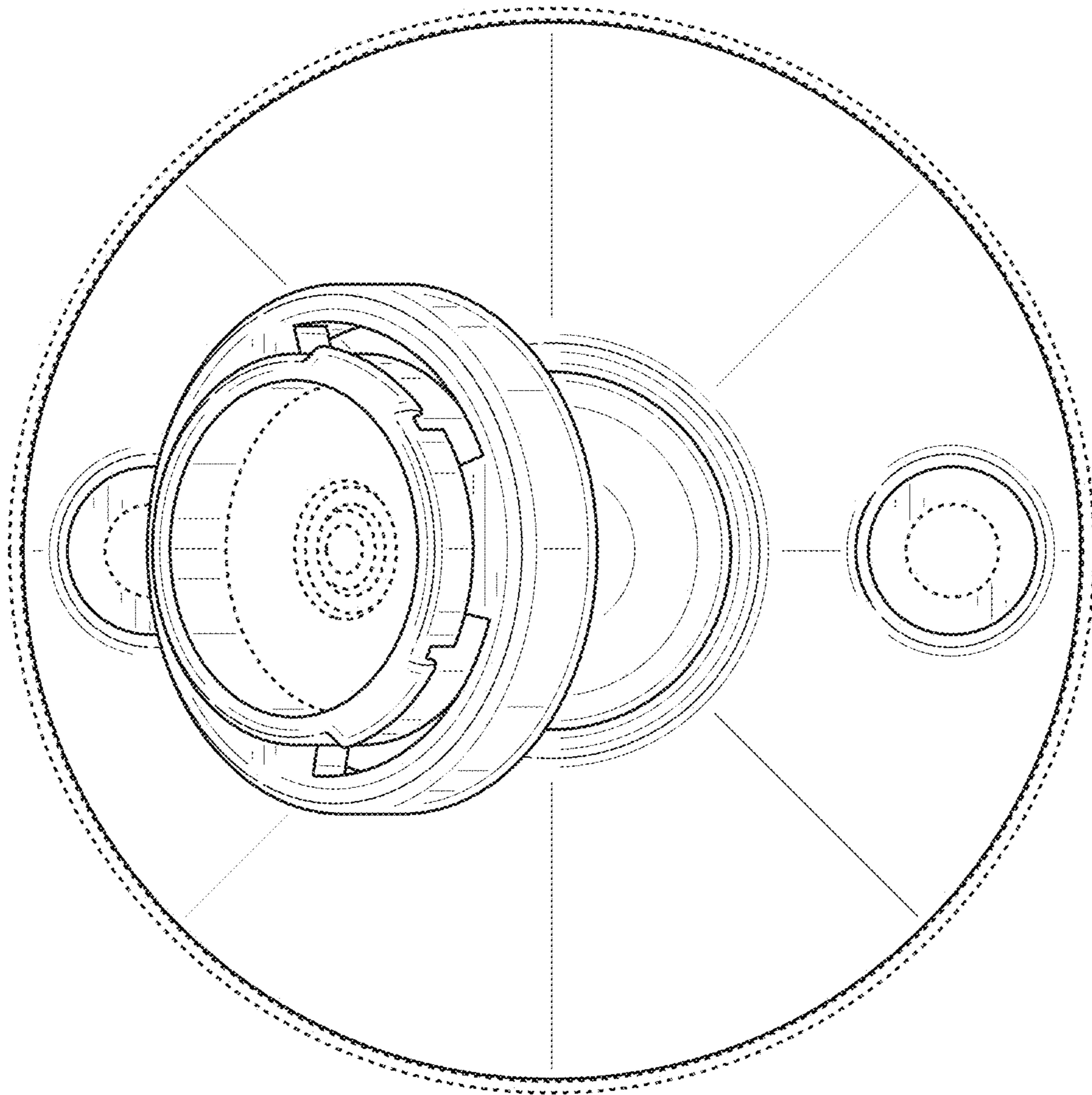


FIG. 9

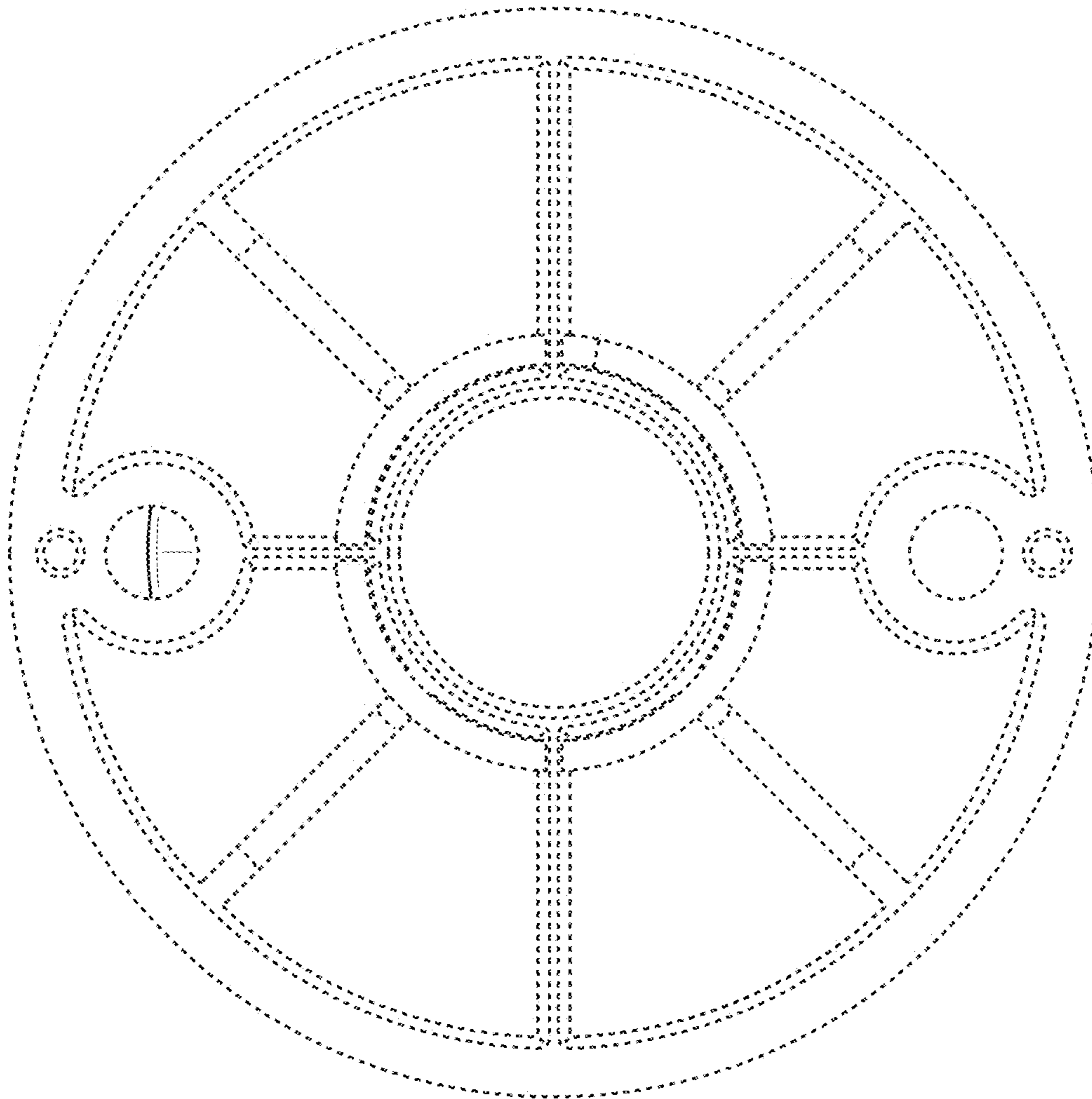


FIG. 10