



US00D902288S

(12) **United States Design Patent** (10) **Patent No.:** **US D902,288 S**
Tanaka et al. (45) **Date of Patent:** **** Nov. 17, 2020**

(54) **PROJECTOR**

(71) Applicant: **FUJIFILM Corporation**, Tokyo (JP)

(72) Inventors: **Kunihiko Tanaka**, Saitama (JP); **Koji Yoshida**, Saitama (JP)

(73) Assignee: **FUJIFILM Corporation**, Tokyo (JP)

(**) Term: **15 Years**

(21) Appl. No.: **29/680,807**

(22) Filed: **Feb. 20, 2019**

(30) **Foreign Application Priority Data**

Aug. 31, 2018 (JP) 2018-019071

(51) **LOC (12) Cl.** **16-02**

(52) **U.S. Cl.**
USPC **D16/235**

(58) **Field of Classification Search**

USPC D16/221, 225, 229–231, 234–235, 217,
D16/219; D21/514; 353/101, 119, 122
CPC G03B 21/145; G03B 21/142; G03B 21/14;
G03B 21/16; G03B 21/00; G03B 21/001;
G03B 21/003; G03B 21/12; G03B 21/54;
G03B 21/58; G02B 13/0025

See application file for complete search history.

(56) **References Cited**

U.S. PATENT DOCUMENTS

D877,799 S * 3/2020 Tanaka D16/235
D877,800 S * 3/2020 Tanaka D16/235
D877,801 S * 3/2020 Tanaka D16/235
D888,806 S * 6/2020 Tanaka D16/229
D890,246 S * 7/2020 Tanaka D16/235

* cited by examiner

Primary Examiner — Wan Laymon

(74) *Attorney, Agent, or Firm* — Studebaker & Brackett
PC

(57) **CLAIM**

The ornamental design for a projector, as shown and described.

DESCRIPTION

FIG. 1 is a top left perspective view of a projector showing our new design;

FIG. 2 is a front view thereof;

FIG. 3 is a rear view thereof;

FIG. 4 is a top plan view thereof;

FIG. 5 is a bottom plan view thereof;

FIG. 6 is a right side view thereof; and,

FIG. 7 is a left side view thereof.

The broken lines illustrate portions of the projector and form no part of the claimed design.

1 Claim, 6 Drawing Sheets

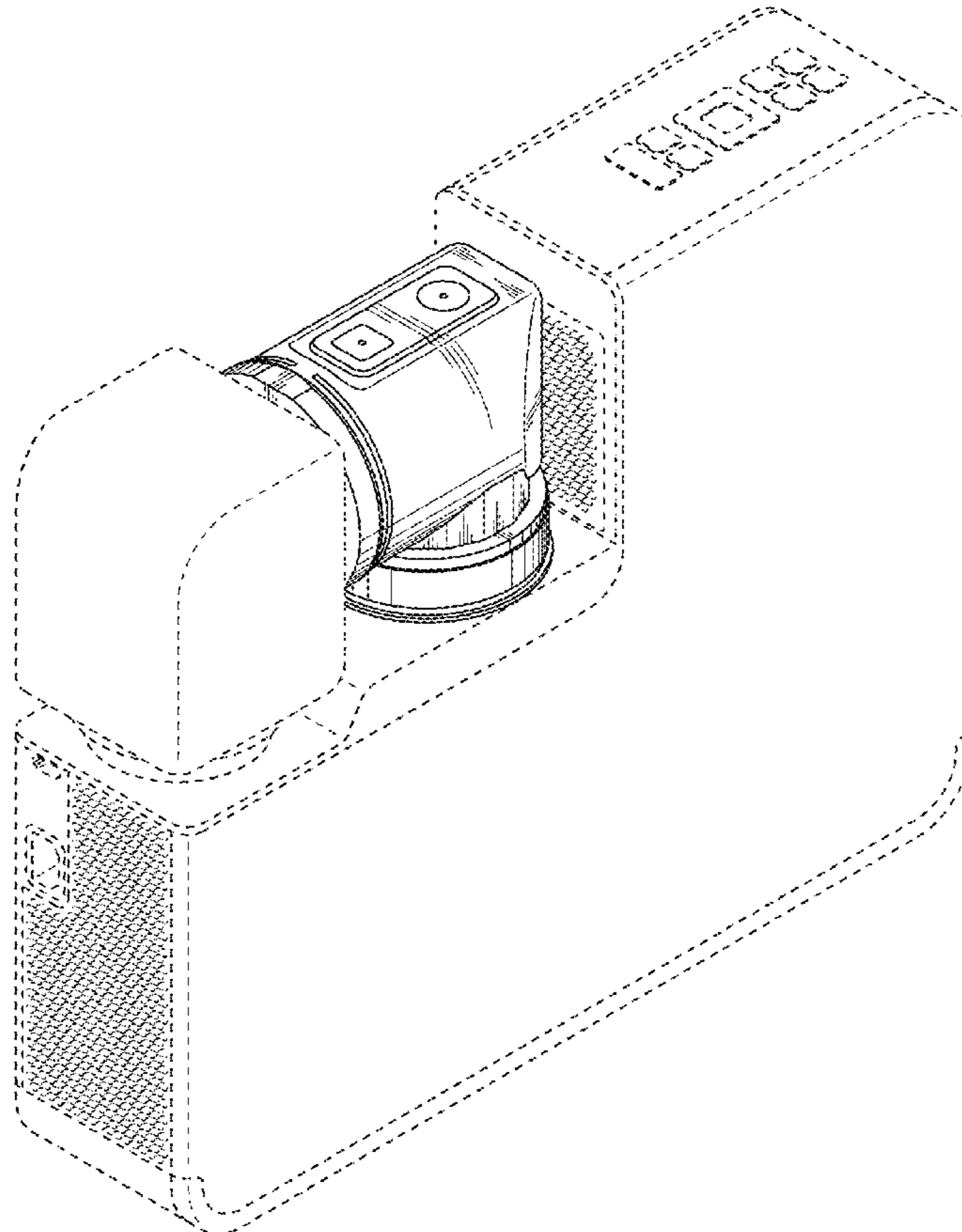


FIG. 1

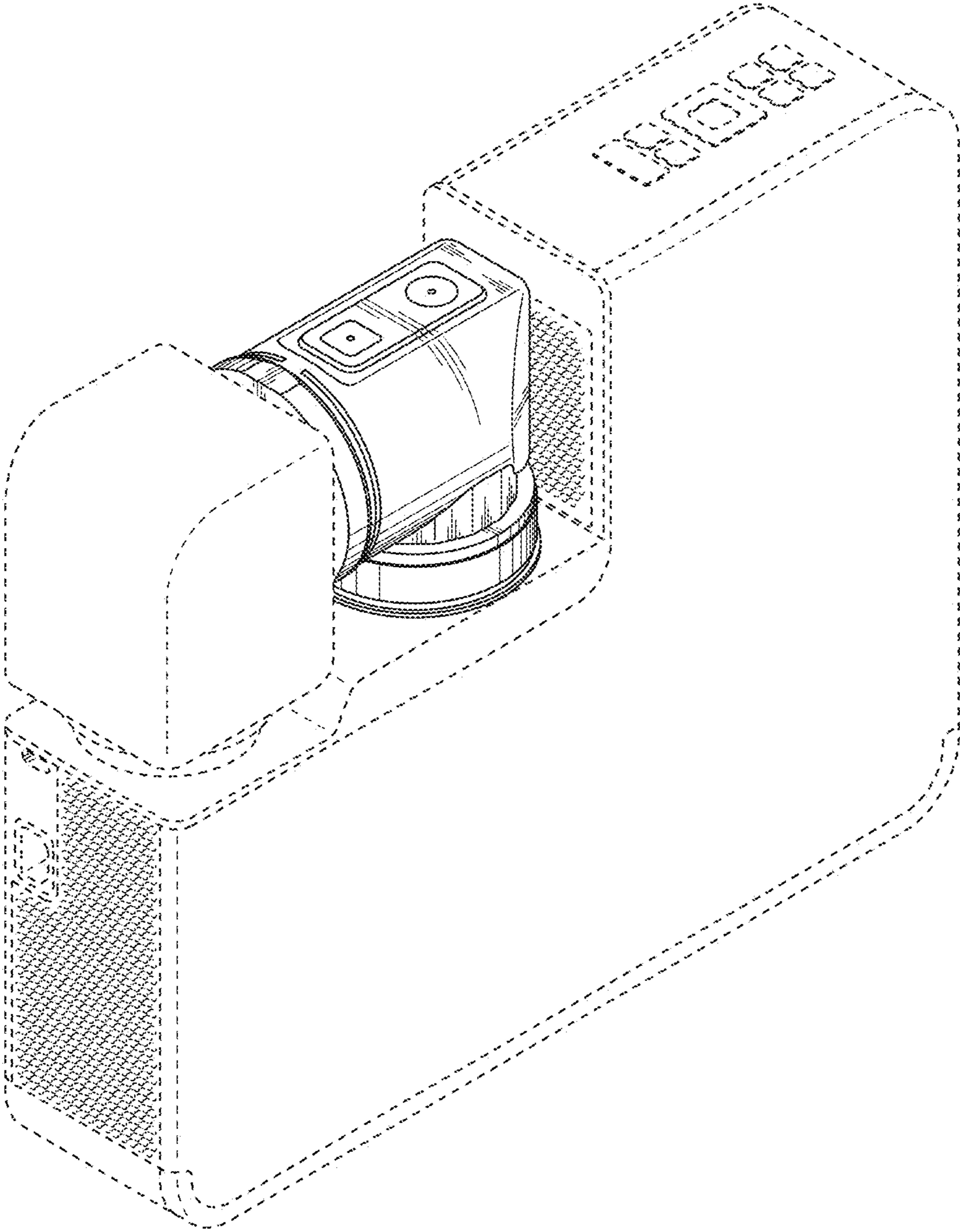


FIG. 2

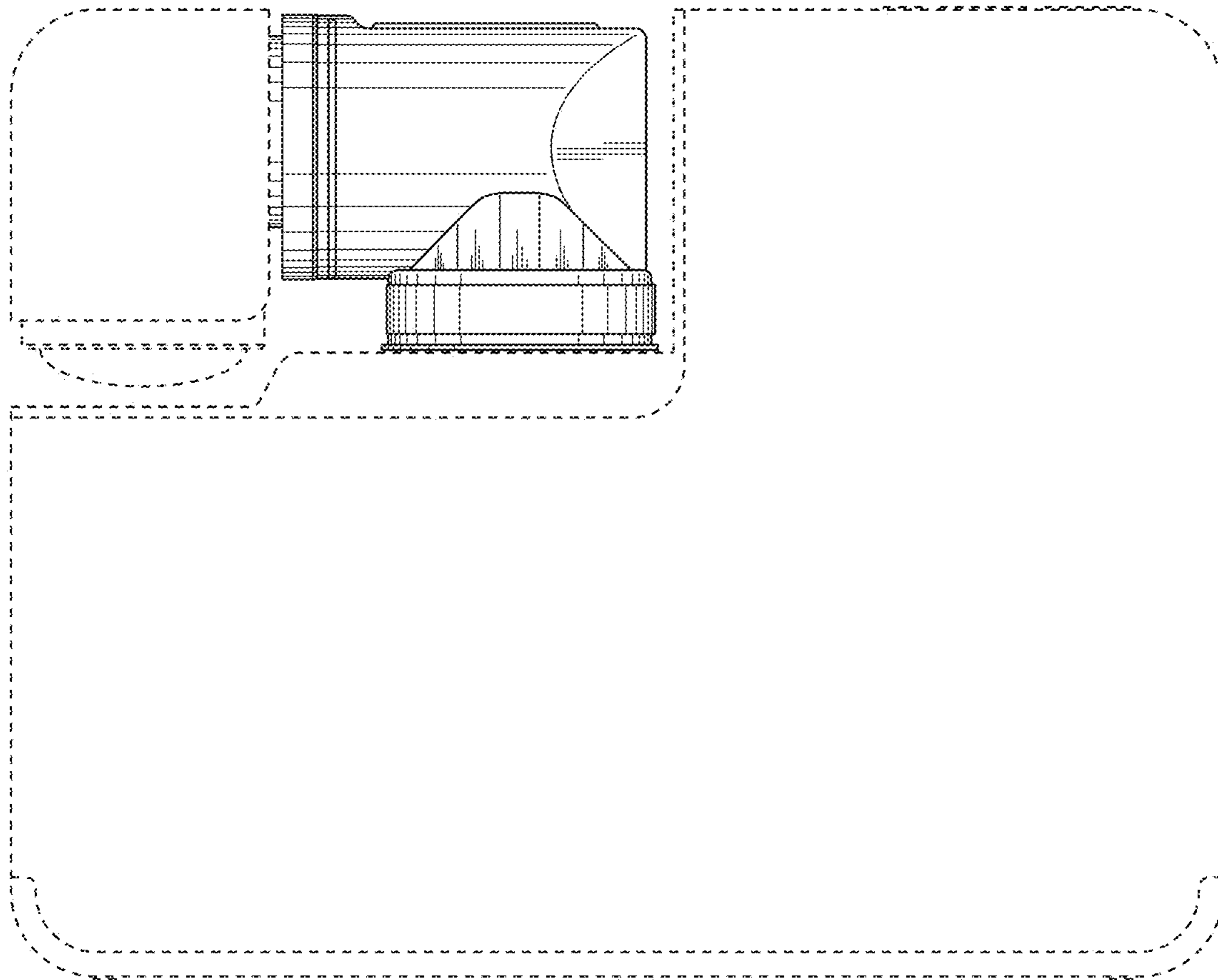


FIG. 3

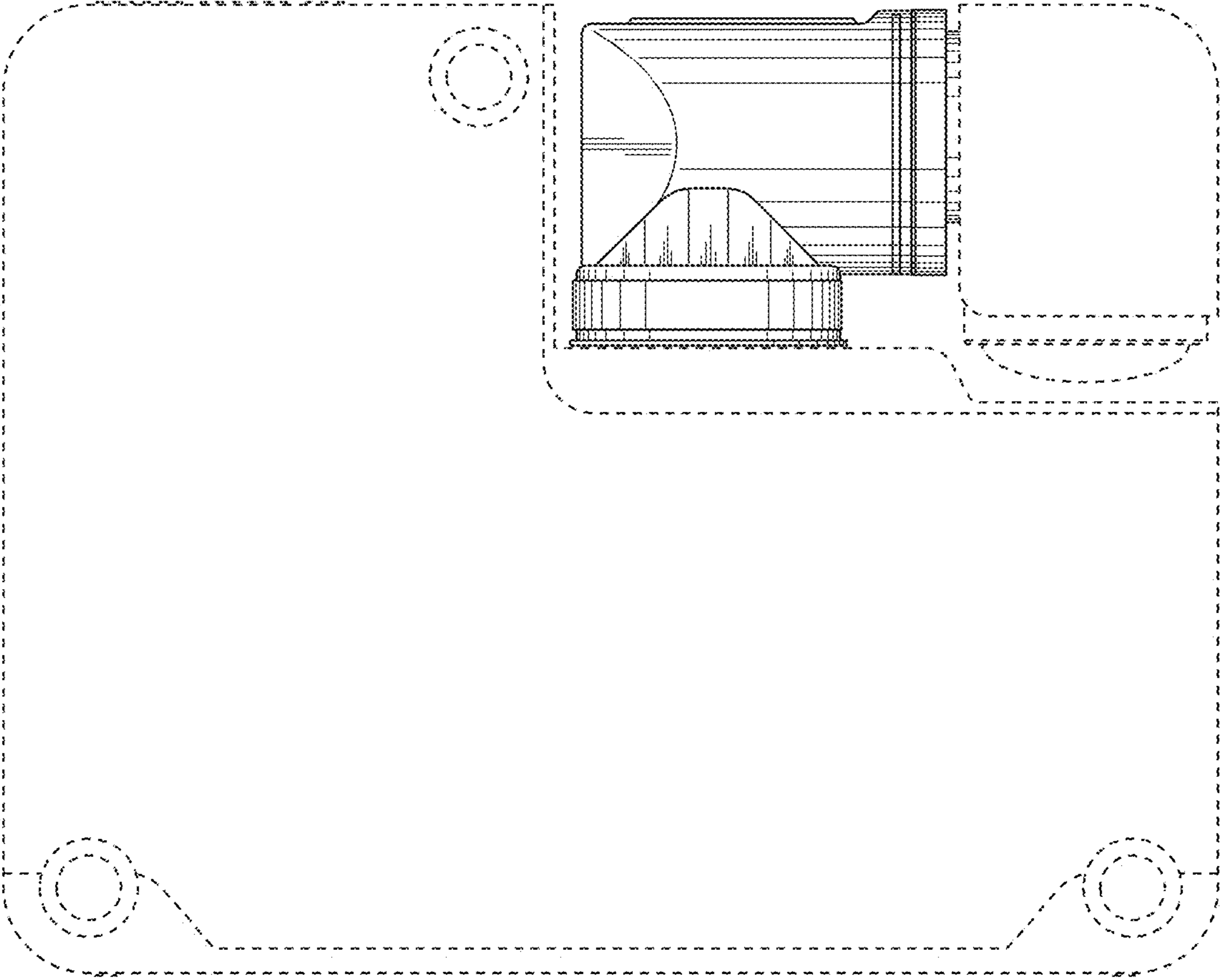


FIG. 4

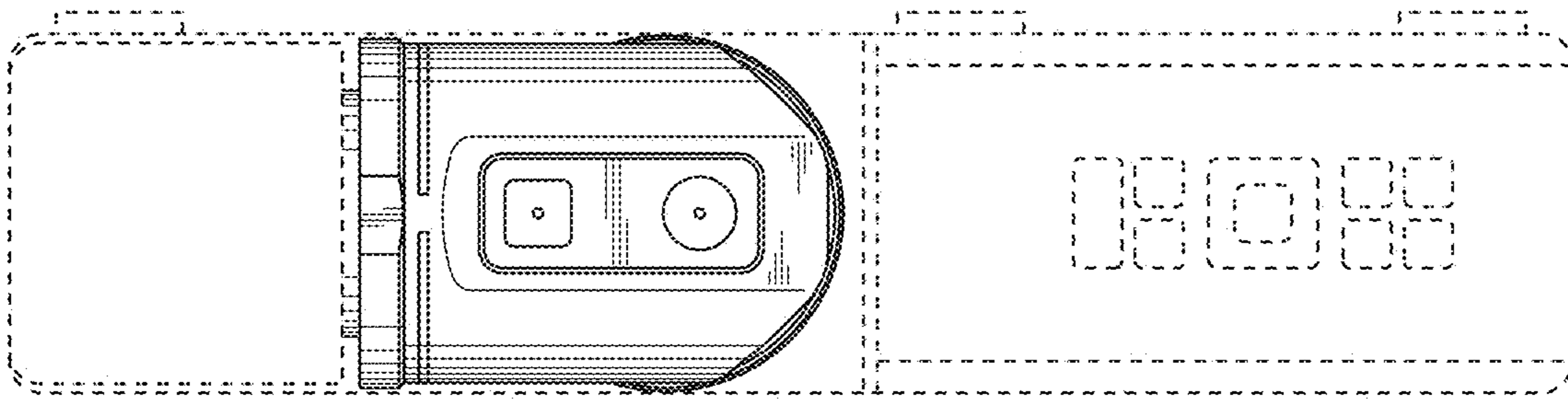


FIG. 5

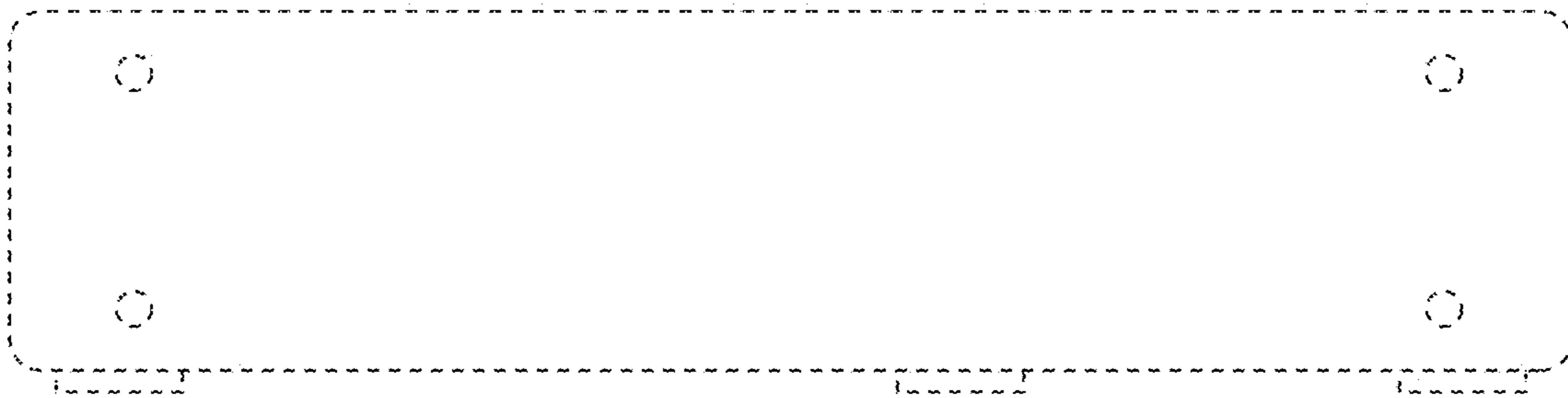


FIG. 6

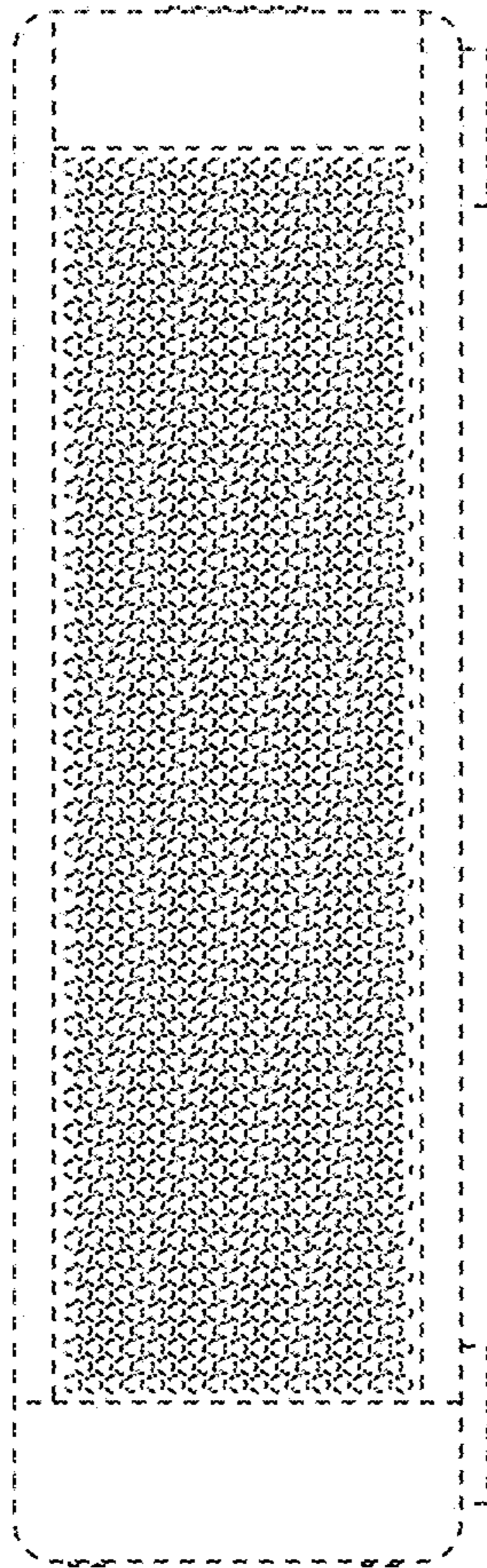


FIG. 7

