



US00D902287S

(12) **United States Design Patent** (10) **Patent No.:** **US D902,287 S**  
**Ive et al.** (45) **Date of Patent:** **\*\* \*Nov. 17, 2020**

(54) **CAMERA**

(71) Applicants: **Jonathan P. Ive**, San Francisco, CA (US); **Marc A. Newson**, London (GB)

(72) Inventors: **Jonathan P. Ive**, San Francisco, CA (US); **Marc A. Newson**, London (GB)

(\* ) Notice: This patent is subject to a terminal disclaimer.

(\*\*) Term: **15 Years**

(21) Appl. No.: **29/725,279**

(22) Filed: **Feb. 24, 2020**

**Related U.S. Application Data**

(63) Continuation of application No. 29/530,718, filed on Jun. 18, 2015, now Pat. No. Des. 876,520, which is a (Continued)

(51) **LOC (12) Cl.** ..... **16-05**

(52) **U.S. Cl.**  
USPC ..... **D16/219**

(58) **Field of Classification Search**  
USPC ..... D16/200, 202–206, 208–209, 218, 219, D16/242; 348/373–376; 396/535, 396/539–541

(Continued)

(56) **References Cited**

**U.S. PATENT DOCUMENTS**

D359,299 S 6/1995 Moro et al.  
D383,146 S 9/1997 Hashimoto et al.  
(Continued)

**OTHER PUBLICATIONS**

Leica Camera AG, “Leica M Monochrom,” accessed at [http://us.leica-camera.com/photography/m\\_system/m\\_monochrom/](http://us.leica-camera.com/photography/m_system/m_monochrom/), accessed on Apr. 10, 2014, 2 pages.

(Continued)

*Primary Examiner* — Ramzi S Almatrahi

(74) *Attorney, Agent, or Firm* — Sterne, Kessler, Goldstein & Fox P.L.L.C.

(57) **CLAIM**

The ornamental design for a camera, as shown and described.

**DESCRIPTION**

The file of this patent contains at least one drawing/photograph executed in color. Copies of this patent with color drawing(s)/photograph(s) will be provided by the Office upon request and payment of the necessary fee.

FIG. 1 is a top front perspective view of a first embodiment of a camera showing the claimed design;

FIG. 2 is a front view thereof;

FIG. 3 is a rear view thereof;

FIG. 4 is a left side view thereof;

FIG. 5 is a right side view thereof;

FIG. 6 is a bottom view thereof;

FIG. 7 is a top view thereof;

FIG. 8 is an enlarged view of the area shown in dot-dot-dash lines in FIG. 7, for ease of illustration;

FIG. 9 is a top front perspective view of a second embodiment of a camera showing the claimed design;

FIG. 10 is a front view thereof;

FIG. 11 is a rear view thereof;

FIG. 12 is a left side view thereof;

FIG. 13 is a right side view thereof;

FIG. 14 is a bottom view thereof;

FIG. 15 is a top view thereof; and,

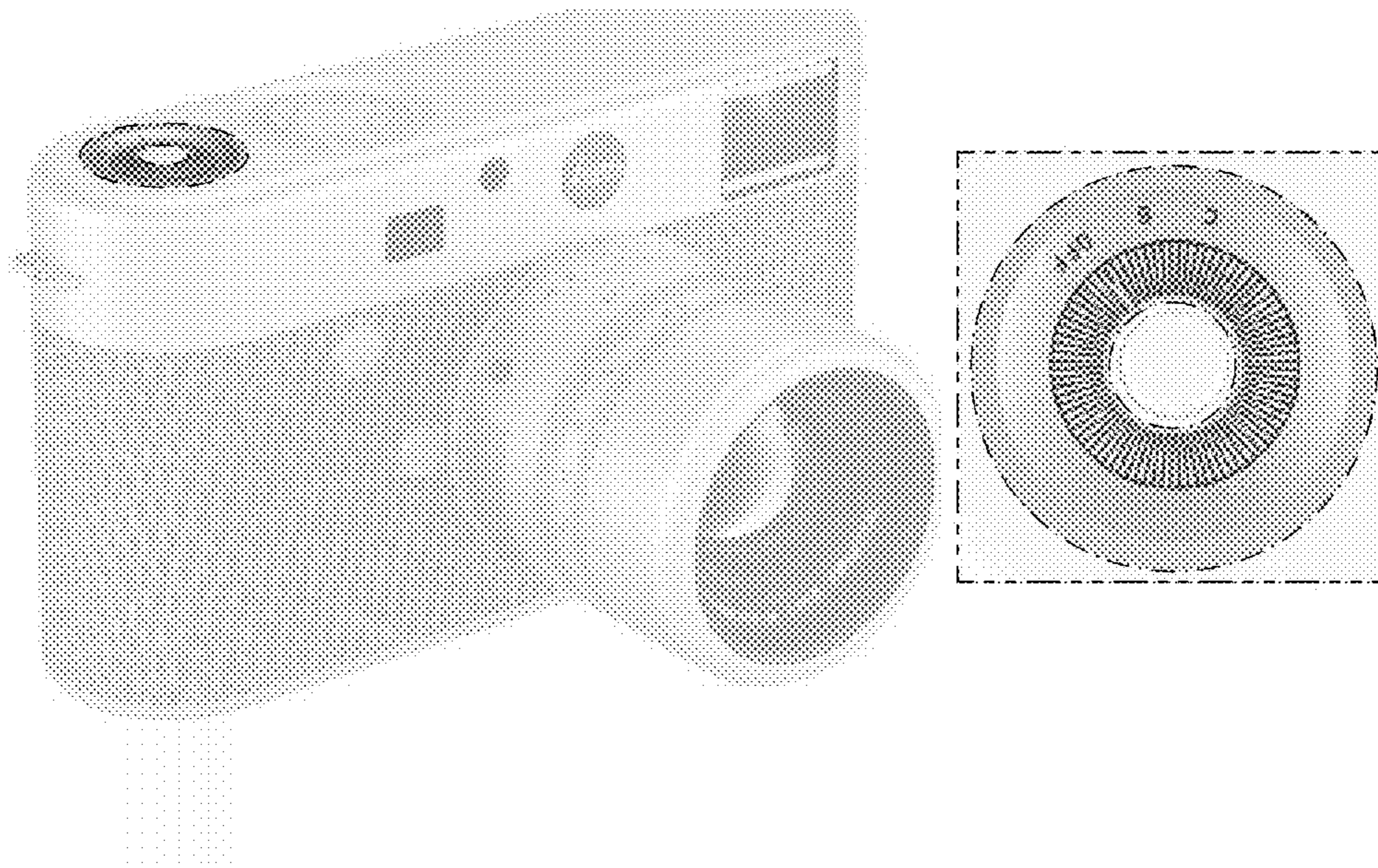
FIG. 16 is an enlarged view of the area shown in dot-dot-dash lines in FIG. 15, for ease of illustration.

The dot-dash broken lines in the Figures denote the boundaries of the claim and form no part of the claimed design.

The dot-dot-dash broken lines around the enlarged portions of the design form no part of the claimed design.

The overexposed or faded features depict portions of the camera that form no part of the claimed design.

**1 Claim, 16 Drawing Sheets**  
**(16 of 16 Drawing Sheet(s) Filed in Color)**



**Related U.S. Application Data**

continuation of application No. 29/469,268, filed on Oct. 8, 2013, now Pat. No. Des. 732,595.

(58) **Field of Classification Search**

CPC ..... G03B 15/03; G03B 17/02; G03B 17/04; G03B 17/56; G03B 19/04; H04N 5/2251; H04N 5/2252; H04N 5/2253; H04N 5/2254; H04N 2101/00

See application file for complete search history.

(56) **References Cited**

U.S. PATENT DOCUMENTS

D383,147 S	9/1997	Moro et al.	
5,950,028 A	9/1999	Ito	
D440,585 S *	4/2001	Kahn .....	D16/200
D446,537 S *	8/2001	Petravic .....	D16/220
D463,471 S	9/2002	Tanaka	
D469,456 S	1/2003	Nakamura et al.	
D473,576 S	4/2003	Watanabe	
D479,547 S	9/2003	Nagayama	
D524,344 S	7/2006	Imai	
D525,639 S	7/2006	Nakamura	
D532,028 S	11/2006	Sakai	
D537,093 S	2/2007	Nakamura	
D537,460 S	2/2007	Nakamura et al.	
D547,343 S	7/2007	Sato	
D550,736 S	9/2007	Sakai	
D554,679 S	11/2007	Nagayama et al.	
D555,688 S	11/2007	Yoo et al.	
D556,802 S	12/2007	Katayama	
D559,292 S	1/2008	Imai	
D560,236 S	1/2008	Yoshida	
D560,237 S	1/2008	Yoshida	
D561,218 S	2/2008	Kim	
D572,285 S	7/2008	Kuroda	
D576,650 S	9/2008	Shibata et al.	
D582,954 S	12/2008	Imai	
7,524,118 B2	4/2009	Maeda	
D596,217 S	7/2009	Kim et al.	
D597,576 S	8/2009	Kim et al.	
D597,578 S	8/2009	Kim et al.	
D603,886 S	11/2009	Sakai	
D613,324 S	4/2010	Sato	
D627,812 S *	11/2010	Oikawa .....	D16/202
D652,067 S	1/2012	Katsuraku et al.	
D689,914 S	9/2013	Uemachi et al.	
D692,044 S	10/2013	Uemachi et al.	
D695,328 S	12/2013	Sul	
D697,959 S	1/2014	Imai	
D698,848 S	2/2014	Uemachi et al.	
D702,748 S	4/2014	Muraki et al.	
D721,751 S	1/2015	Fujita	

D722,332 S	2/2015	Kobayashi	
D726,238 S	4/2015	Izumi et al.	
D727,386 S	4/2015	Kobayashi	
D727,769 S *	4/2015	Scalisi .....	D10/118.2
D729,297 S	5/2015	Ikegame	
D732,595 S	6/2015	Ive et al.	
D734,800 S	7/2015	Ive et al.	
D742,951 S	11/2015	Yanagisawa	
D742,952 S	11/2015	Nakajima	
D745,075 S	12/2015	Ive et al.	
D753,749 S	4/2016	Zhu	
D755,874 S	5/2016	Yang	
D755,877 S	5/2016	Uemachi et al.	
D758,467 S	6/2016	Zhang	
D775,254 S	12/2016	Parfitt et al.	
D777,232 S	1/2017	Lillquist et al.	
D793,463 S	8/2017	Houin et al.	
D795,947 S	8/2017	Chong	
D881,162 S *	4/2020	Zhu .....	D14/218
2007/0212062 A1	9/2007	Saiki et al.	
2011/0181771 A1	7/2011	Hazama	

OTHER PUBLICATIONS

Leica Camera AG, "Leica M," accessed at [http://us.leica-camera.com/photography/m\\_system/m\\_new/](http://us.leica-camera.com/photography/m_system/m_new/), accessed on Apr. 10, 2014, 3 pages.

Leica Camera AG, "Leica M7," accessed at [http://us.leica-camera.com/photography/m\\_system/m7/](http://us.leica-camera.com/photography/m_system/m7/), accessed on Apr. 10, 2014, 2 pages.

Leica Camera AG, "The LEICA M9 and M9-P," accessed at [http://us.leica-camera.com/photography/m\\_system/m9/](http://us.leica-camera.com/photography/m_system/m9/), accessed on Apr. 10, 2014, 2 pages.

Leica Camera AG, "Leica M9-P 'Edition Hermes,'" accessed at [http://us.leica-camera.com/photography/special\\_editions/m9\\_edition\\_hermes/](http://us.leica-camera.com/photography/special_editions/m9_edition_hermes/), accessed on Apr. 10, 2014, 2 pages.

Leica Camera AG, "LEICA M-E," accessed at [http://us.leica-camera.com/photography/m\\_system/m-e/](http://us.leica-camera.com/photography/m_system/m-e/), accessed on Apr. 10, 2014, 2 pages.

Leica Camera AG, "LEICA MP," accessed at [http://us.leica-camera.com/photography/m\\_system/mp/](http://us.leica-camera.com/photography/m_system/mp/), accessed on Apr. 10, 2014, 1 page.

Leica Camera AG, "X a la carte," accessed at [http://us.leica-camera.com/photography/compact\\_cameras\\_x\\_a\\_la\\_carte/](http://us.leica-camera.com/photography/compact_cameras_x_a_la_carte/), accessed on Apr. 10, 2014, 2 pages.

Leica Camera AG, "LEICA X2 Edition Paul Smith," accessed at [http://us.leica-camera.com/compact\\_cameras\\_x2-edition\\_paul\\_smith/](http://us.leica-camera.com/compact_cameras_x2-edition_paul_smith/), accessed on Apr. 10, 2014, 2 pages.

Leica Camera AG, "Leica X2," accessed at [http://us.leica-camera.com/photography/compact\\_cameras/x2/](http://us.leica-camera.com/photography/compact_cameras/x2/), accessed on Apr. 10, 2014, 2 pages.

Crisp, Simon, "Leica reveals the Leica M and the stripped back M-E," accessed at <http://www.gizmag.com/leica-m-and-m-e/24247/>, dated Sep. 23, 2012, 6 pages.

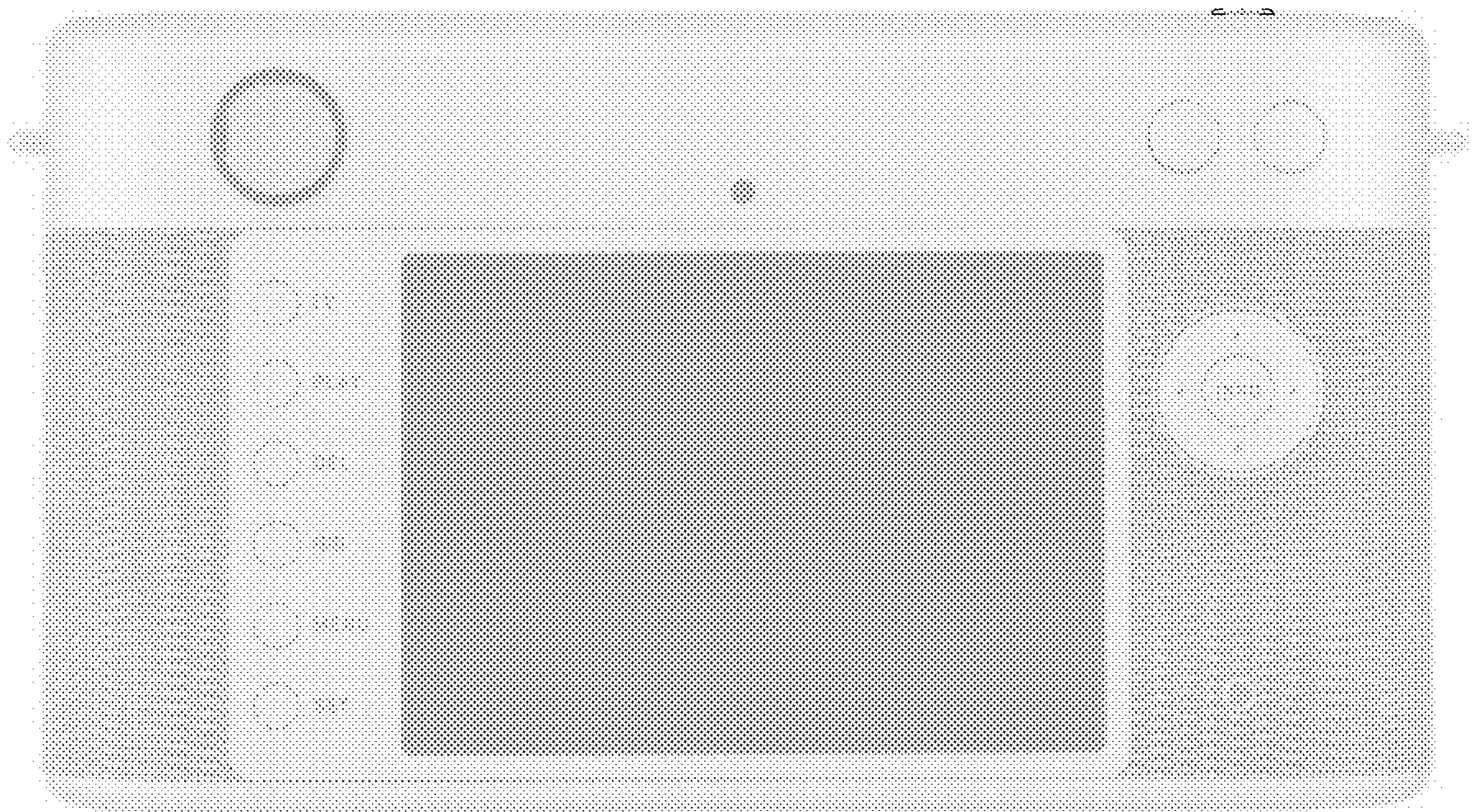
\* cited by examiner



**FIG. 1**



**FIG. 2**



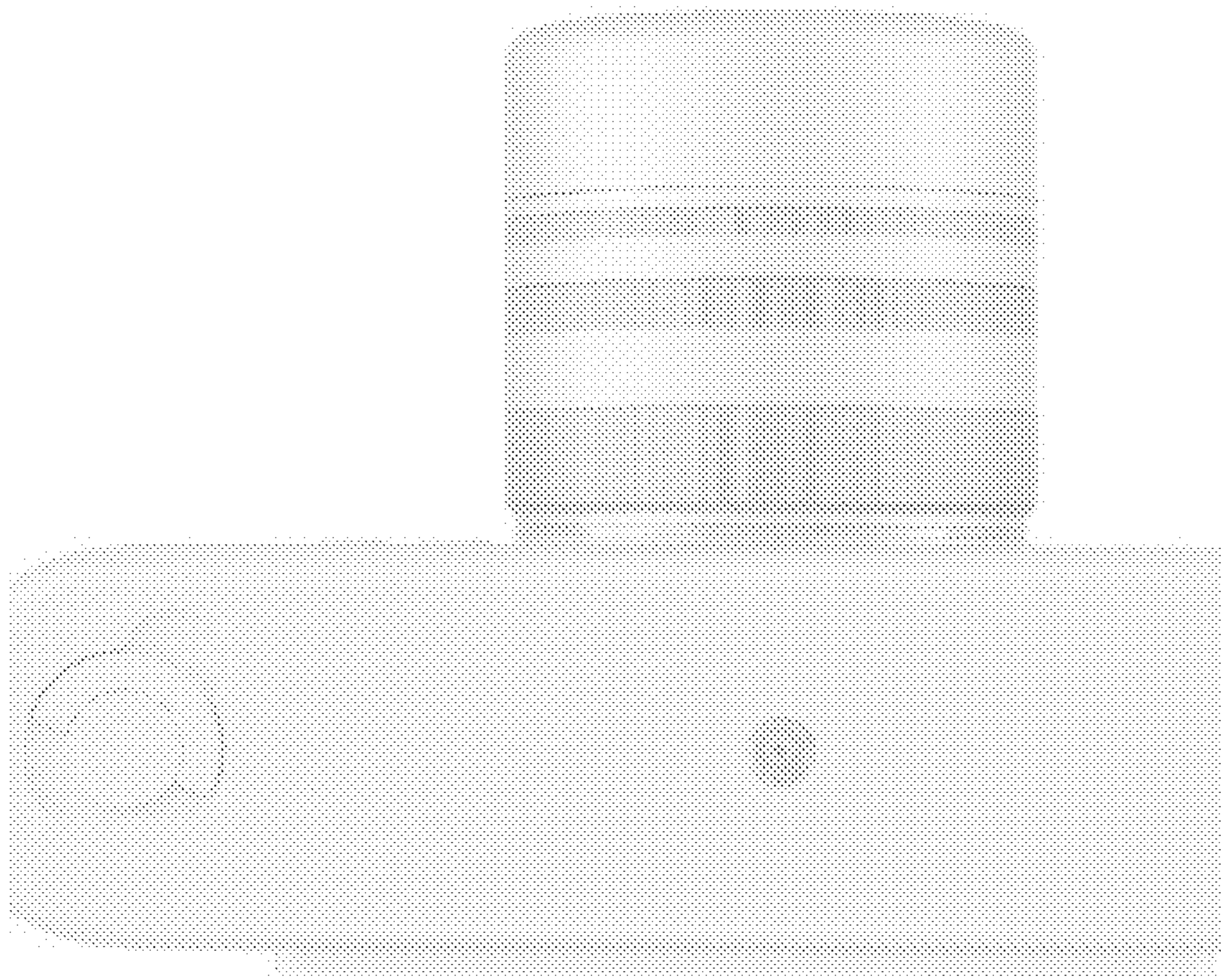
**FIG. 3**



**FIG. 4**



**FIG. 5**



**FIG. 6**



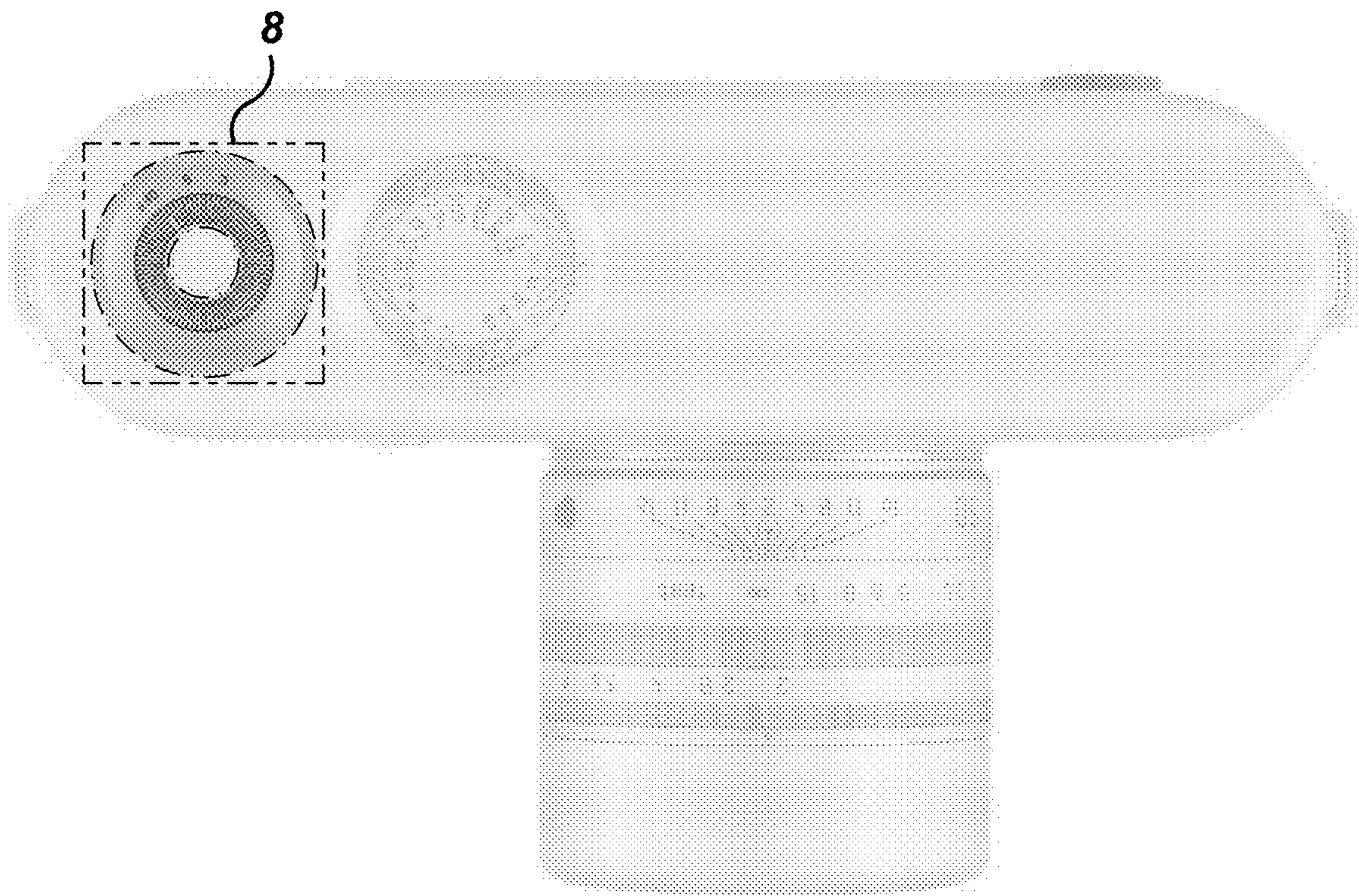
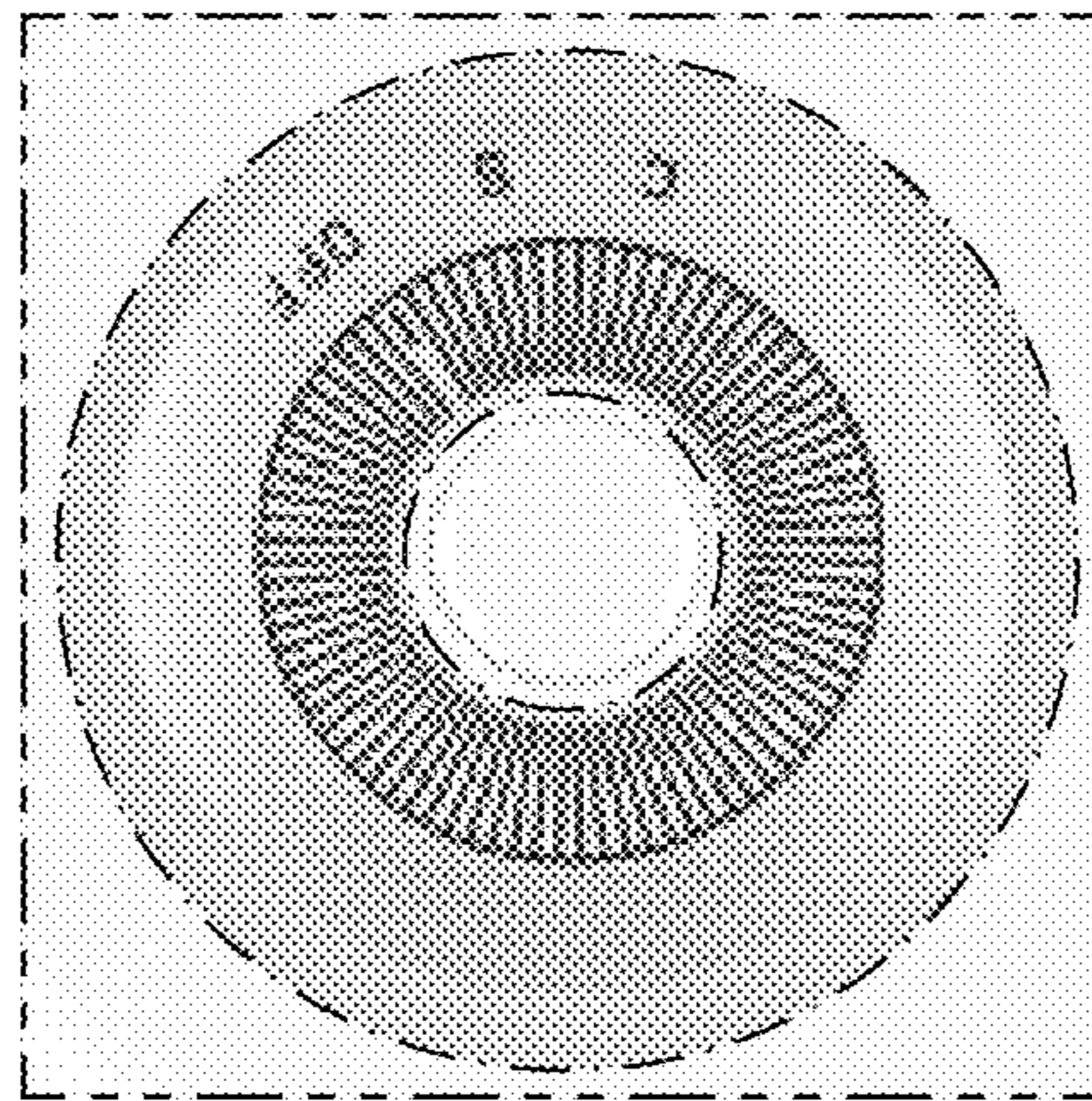


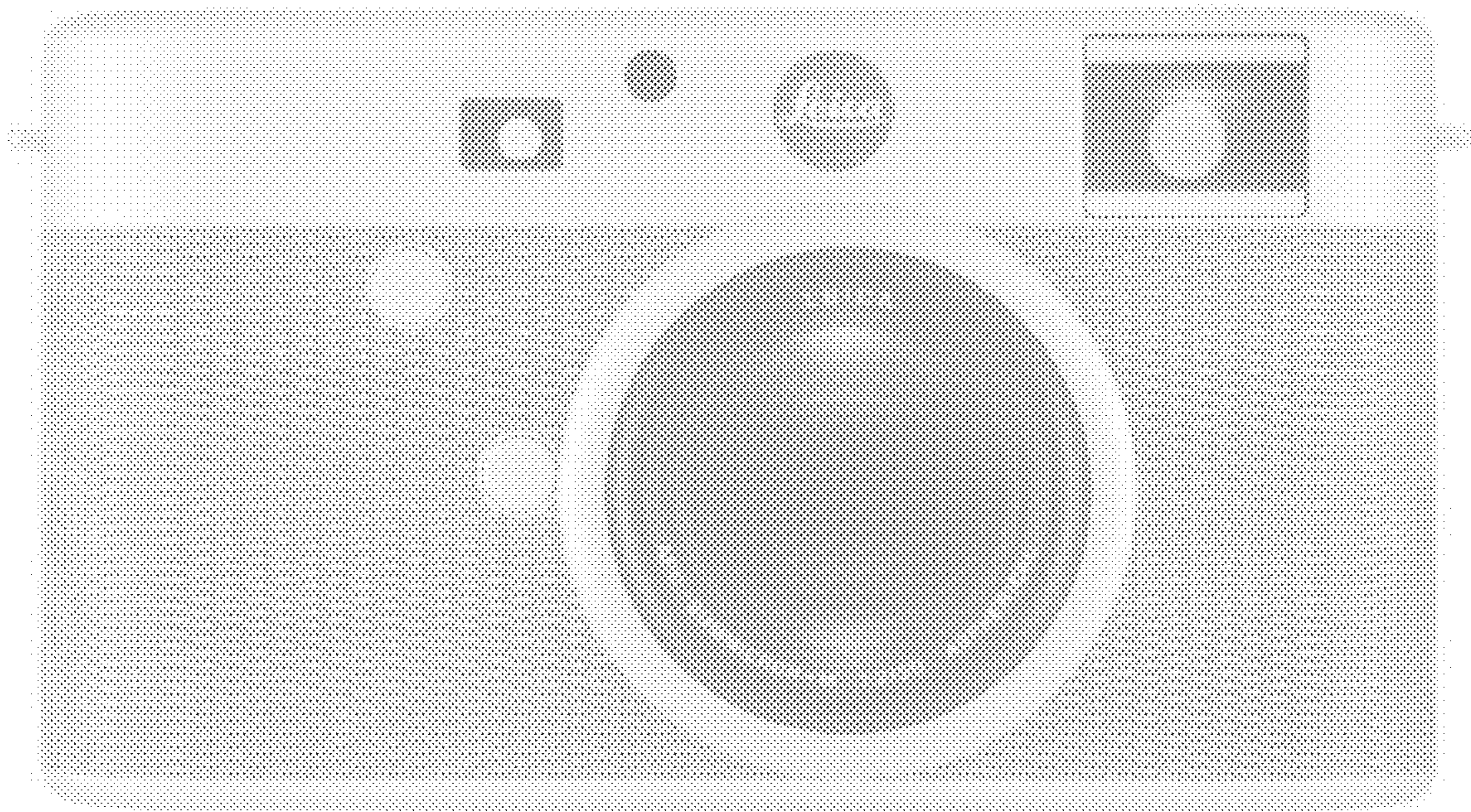
FIG. 7



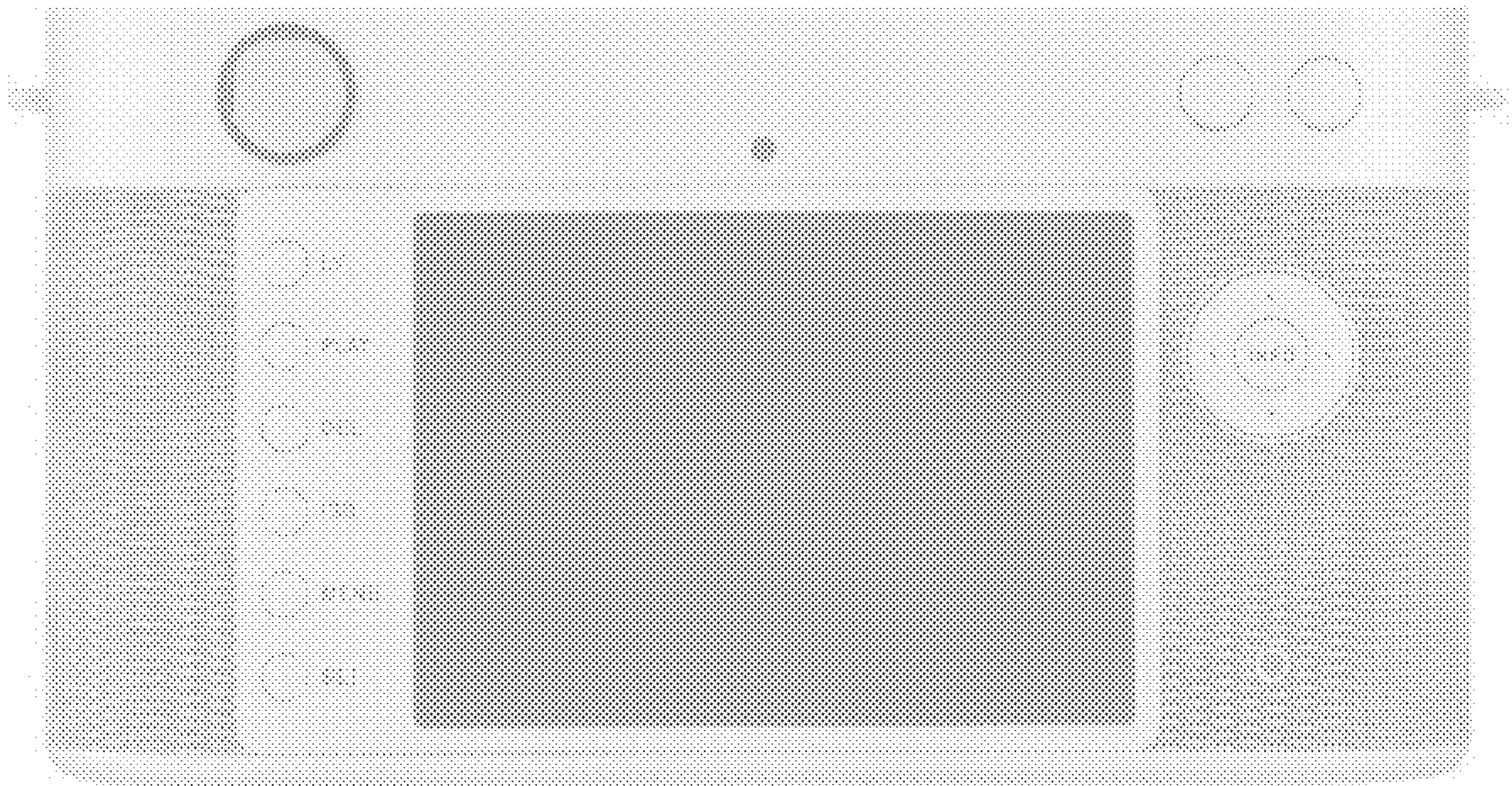
**FIG. 8**



**FIG. 9**



**FIG. 10**



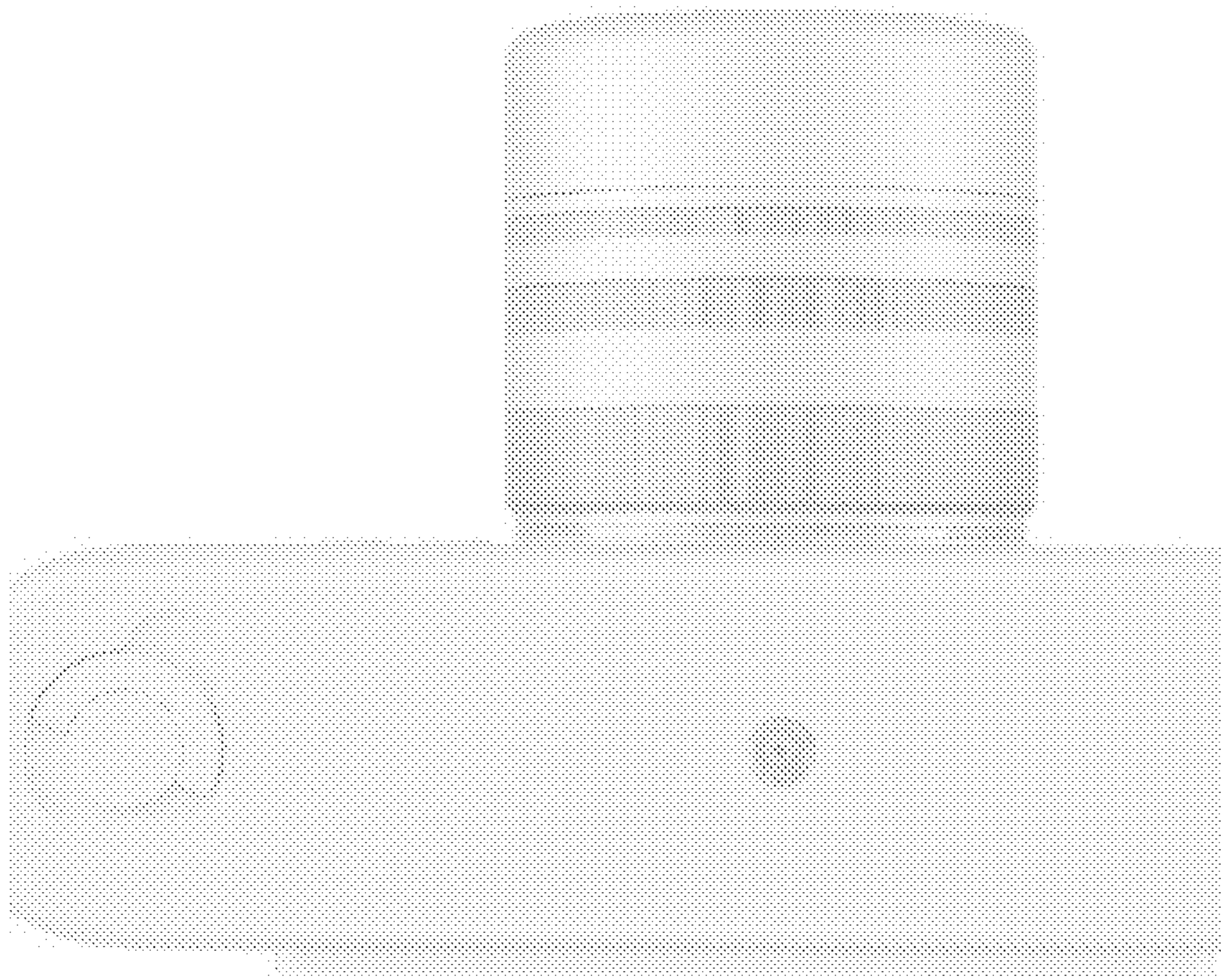
**FIG. 11**



**FIG. 12**



**FIG. 13**



**FIG. 14**



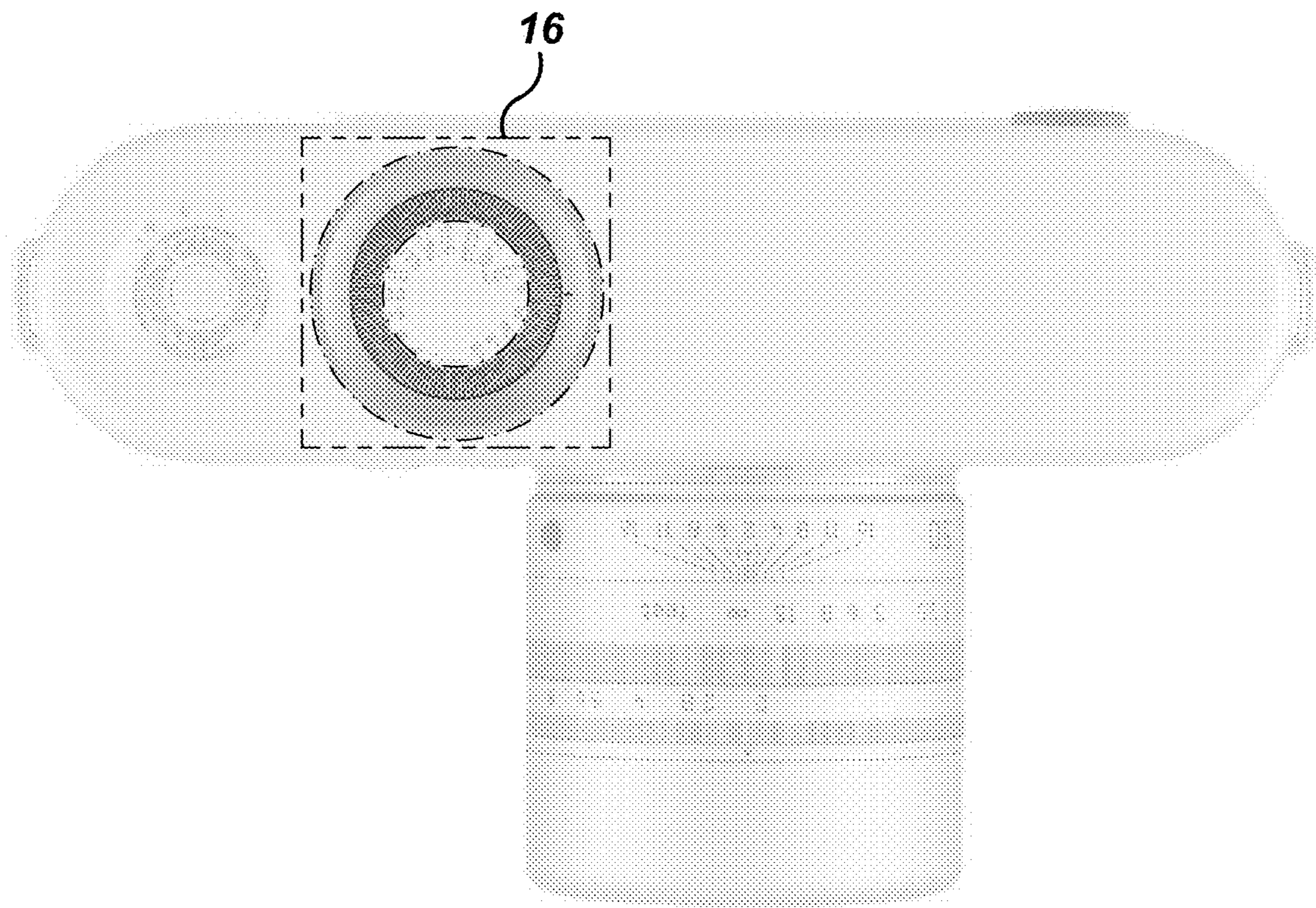
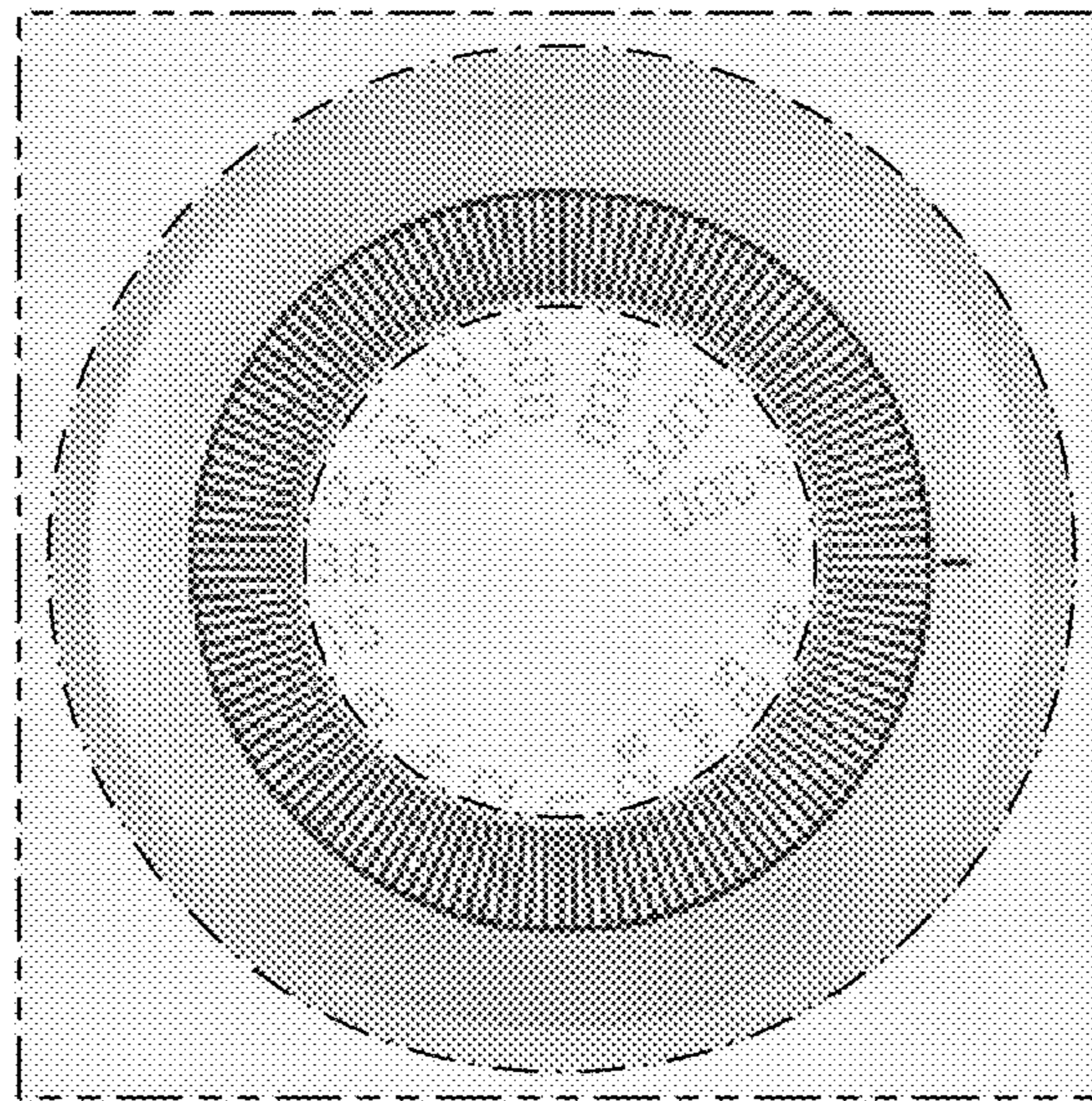


FIG. 15



**FIG. 16**

UNITED STATES PATENT AND TRADEMARK OFFICE  
**CERTIFICATE OF CORRECTION**

PATENT NO. : D902,287 S  
APPLICATION NO. : 29/725279  
DATED : November 17, 2020  
INVENTOR(S) : Ive et al.

Page 1 of 7

It is certified that error appears in the above-identified patent and that said Letters Patent is hereby corrected as shown below:

In the Drawings

Please replace Figures 1, 5, 6, 9, 11, and 14 with Replacement Figures 1, 5, 6, 9, 11, and 14. Please also replace the representative version of Figure 1 that appears on the title page with Replacement Figure 1.

Signed and Sealed this  
Ninth Day of May, 2023



Katherine Kelly Vidal  
*Director of the United States Patent and Trademark Office*

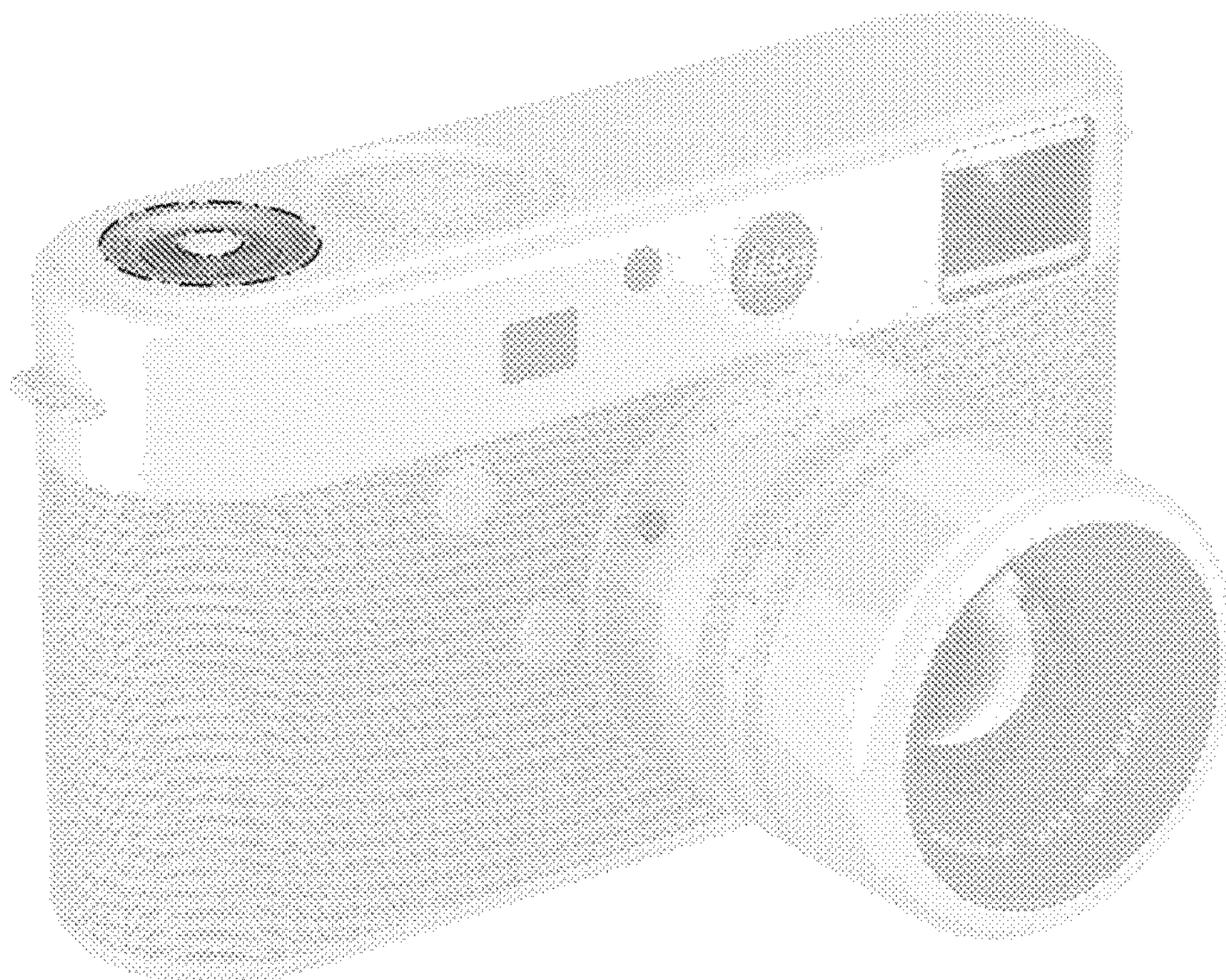


FIG. 1



FIG. 5



FIG. 6

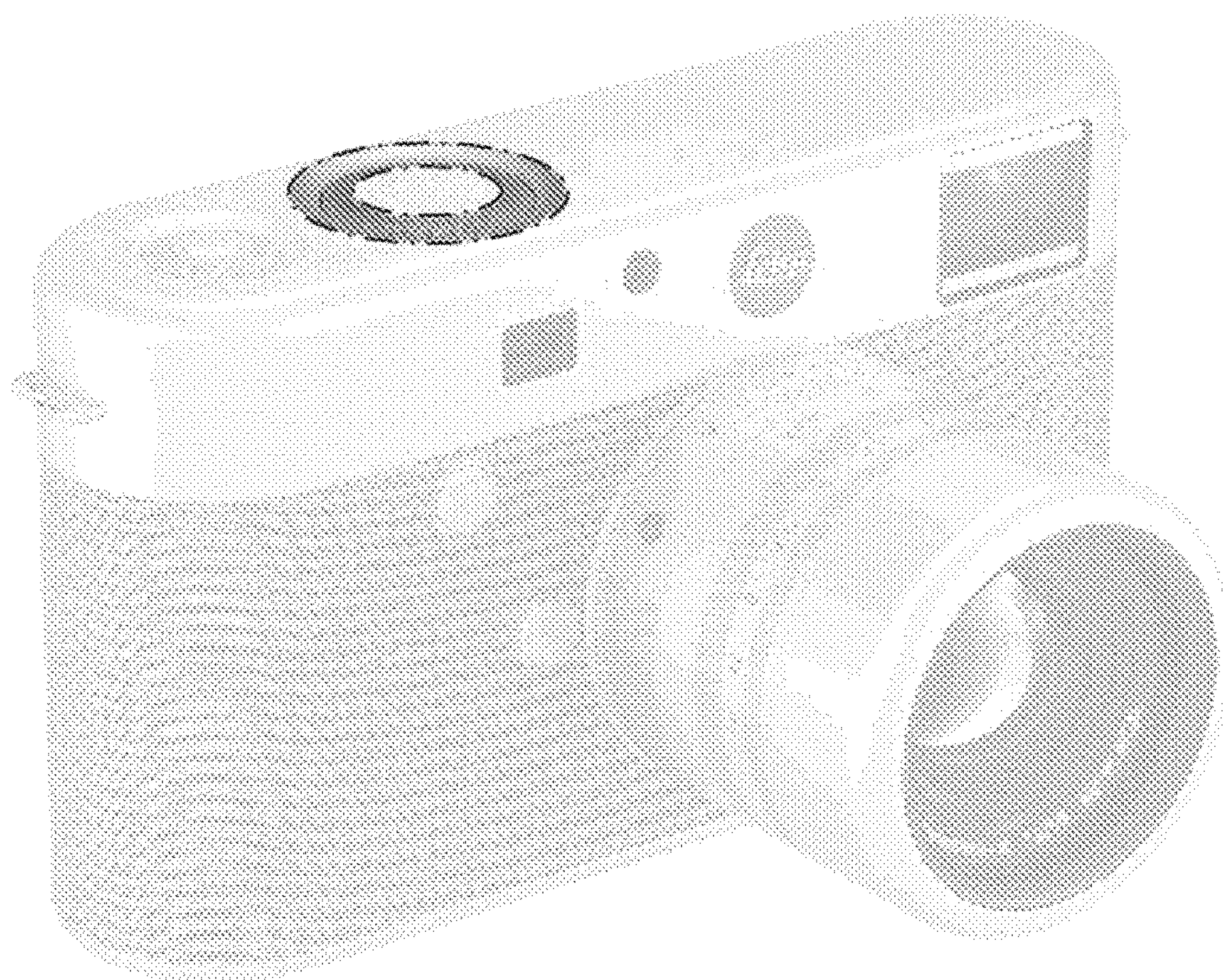


FIG. 9

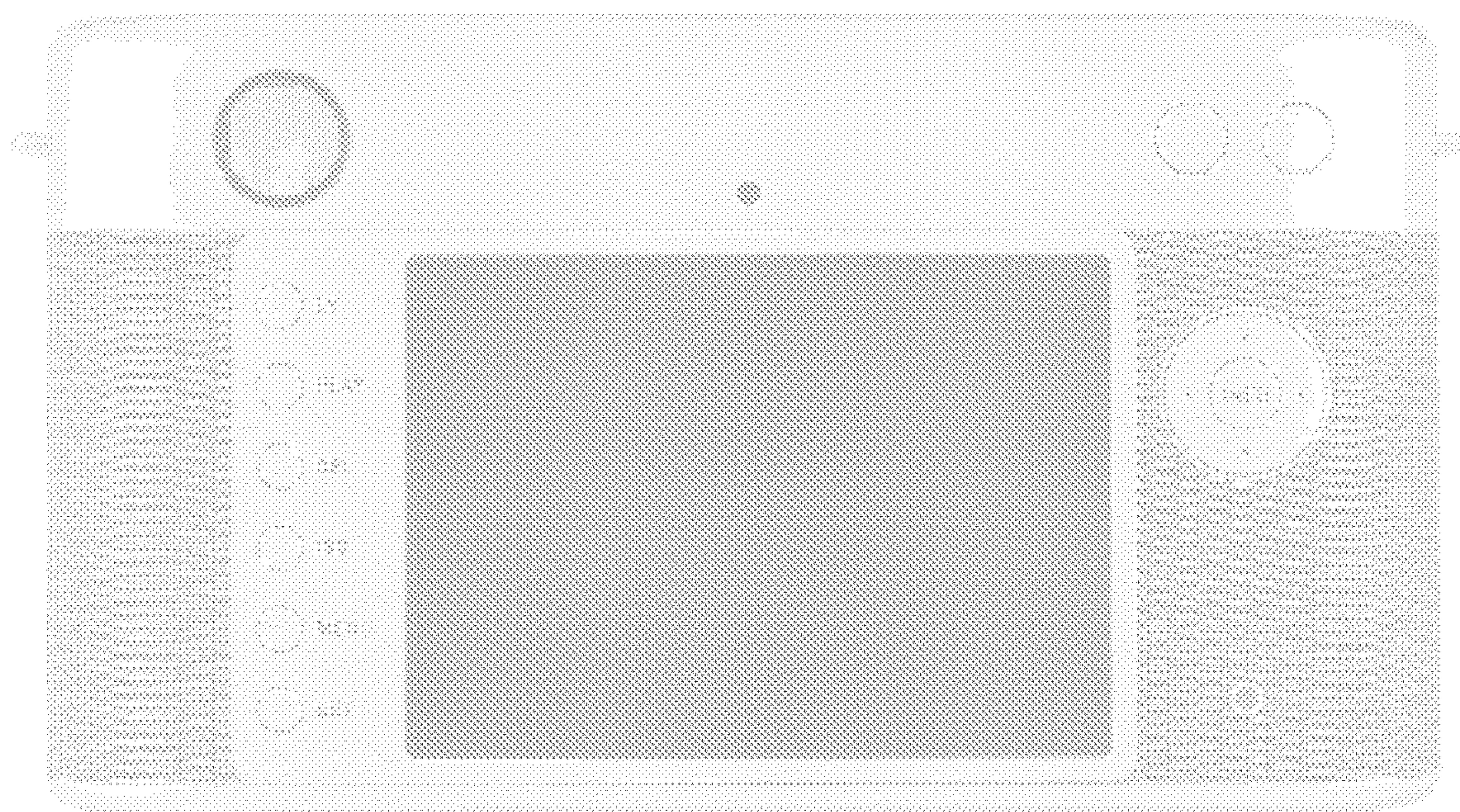


FIG. 11





FIG. 14