



US00D902283S

(12) **United States Design Patent**  
**Kao et al.**

(10) **Patent No.:** **US D902,283 S**  
(45) **Date of Patent:** **\*\* Nov. 17, 2020**

(54) **COMBINED CONFERENCE DEVICE AND CAMERA**

(71) Applicants: **Hsing-Yi Kao**, Taipei (TW);  
**Ming-Chung Liu**, Taipei (TW);  
**Shih-Neng Hong**, Taipei (TW)

(72) Inventors: **Hsing-Yi Kao**, Taipei (TW);  
**Ming-Chung Liu**, Taipei (TW);  
**Shih-Neng Hong**, Taipei (TW)

(73) Assignee: **COMPAL ELECTRONICS, INC.**,  
Taipei (TW)

(\*\*) Term: **15 Years**

(21) Appl. No.: **29/673,982**

(22) Filed: **Dec. 19, 2018**

(51) **LOC (12) Cl.** ..... **16-01**

(52) **U.S. Cl.**  
USPC ..... **D16/208**; D14/240; D14/226; D16/203

(58) **Field of Classification Search**  
USPC ..... D3/210, 215, 207-209; D8/356, 357;  
D10/31, 104.1, 50, 65, 74, 70, 118.2, 66;  
D16/200-220, 131, 132, 237, 242, 239,  
D16/250, 235, 130, 134, 136, 238;  
D14/417, 138 C, 240, 248, 203.1, 203.3,  
D14/203.7, 218, 207, 440, 402, 454, 407,  
D14/408, 480.3, 480.1, 483, 225-228;  
D24/138  
CPC . G02B 7/02; G02B 7/021; G02B 7/04; G02B  
7/14; G02B 7/003; G02B 7/008; G02B  
13/06; G03B 17/00; G03B 17/02; G03B  
17/56; G03B 17/04; G03B 17/14; G03B  
17/08; G03B 15/03; G03B 15/06; H04N  
1/00981; H04N 5/2251; H04N

(Continued)

(56) **References Cited**

**U.S. PATENT DOCUMENTS**

D233,669 S \* 11/1974 Plice ..... D14/228  
D309,266 S \* 7/1990 Kaneko ..... D10/15

(Continued)

**OTHER PUBLICATIONS**

Logitech ConferenceCam Connect, published Sep. 28, 2015 [online],  
[retrieved Mar. 14, 2020], Available from Internet, URL: <https://uk.pcmag.com/webcams/71464/logitech-conferencecam-connect>.\*

*Primary Examiner* — Dana K Weiland  
*Assistant Examiner* — Mary Claire Ramirez  
(74) *Attorney, Agent, or Firm* — JCIPRNET

(57) **CLAIM**

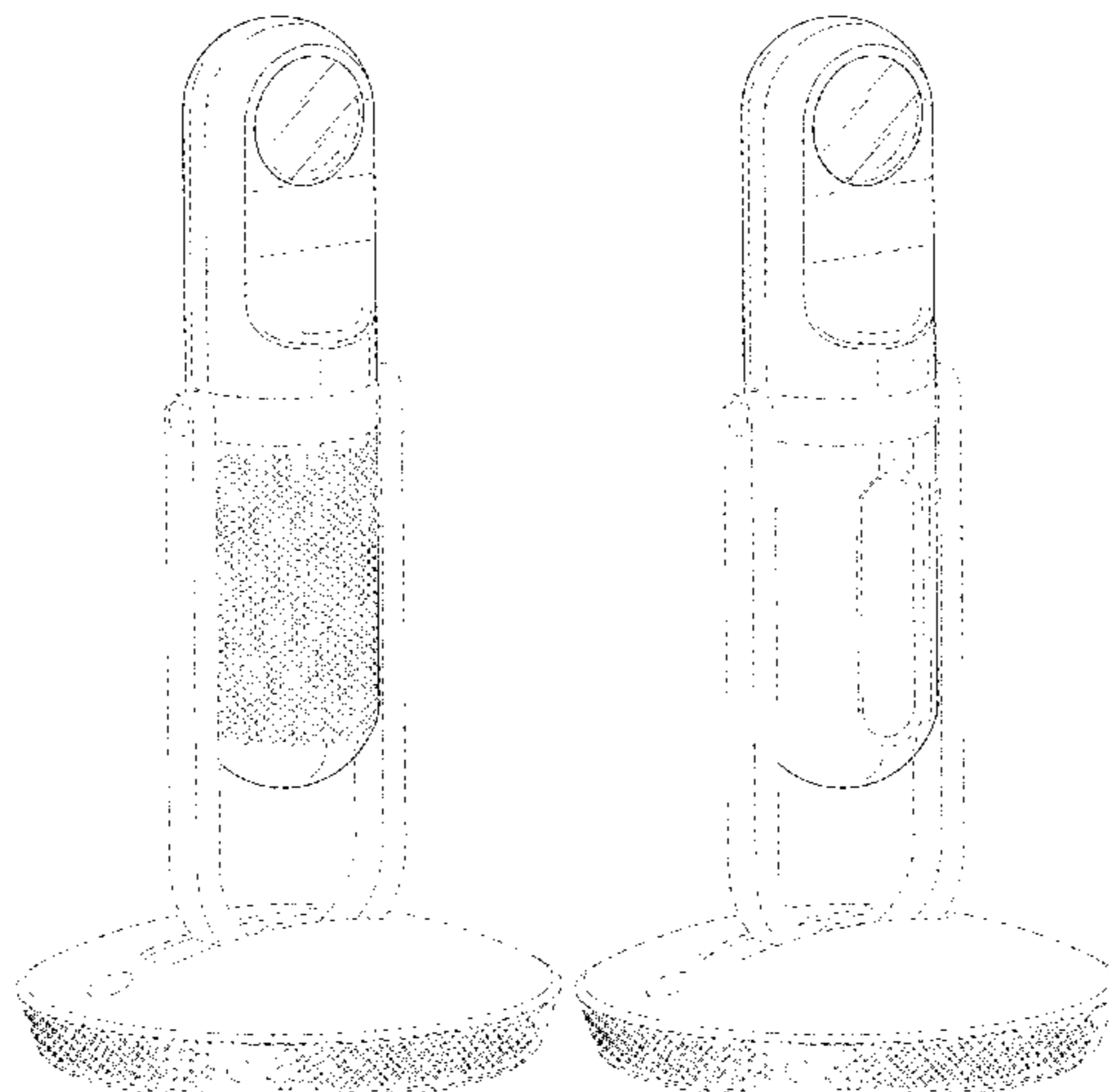
The ornamental design for a combined conference device and camera, as shown and described.

**DESCRIPTION**

FIG. 1 is a perspective view of a combined conference device and camera showing our new design in a first embodiment;  
FIG. 2 is a front view thereof;  
FIG. 3 is a rear view thereof;  
FIG. 4 is a left side view thereof;  
FIG. 5 is a right side view of thereof;  
FIG. 6 is a top view thereof;  
FIG. 7 is a bottom view thereof;  
FIG. 8 is a perspective view of the combined conference device and camera showing our new design in a second embodiment;  
FIG. 9 is a front view thereof;  
FIG. 10 is a rear view thereof;  
FIG. 11 is a left side view thereof;  
FIG. 12 is a right side view thereof;  
FIG. 13 is a top view thereof; and,  
FIG. 14 is a bottom view thereof.

The dashed broken lines illustrate portions of the combined conference device and camera and form no part of the claimed design.

**1 Claim, 14 Drawing Sheets**



(58) **Field of Classification Search**  
 CPC .. 5/2252; H04N 5/2253; H04N 5/2254; H04N  
 5/23238; H04N 7/00; H04N 13/239;  
 H04N 2101/00; F16M 13/00  
 See application file for complete search history.

(56) **References Cited**

U.S. PATENT DOCUMENTS

5,357,577 A \* 10/1994 Waji ..... H01J 7/24  
 361/704  
 D434,560 S \* 12/2000 Chao ..... D3/265  
 D549,759 S \* 8/2007 Artsi ..... D16/100  
 D563,391 S \* 3/2008 Skurdal ..... D14/172  
 D627,815 S \* 11/2010 Oba ..... D16/202  
 D661,718 S \* 6/2012 Tang ..... D16/202  
 D666,660 S \* 9/2012 Amit ..... D16/203  
 D709,542 S \* 7/2014 Bailey ..... D16/202  
 D719,140 S \* 12/2014 Sanhui ..... D14/225  
 D722,595 S \* 2/2015 Mackiewicz ..... D14/216  
 D725,077 S \* 3/2015 Wong ..... D14/216  
 D732,594 S \* 6/2015 Kawa ..... D16/202  
 D737,800 S \* 9/2015 Aleksandrov ..... D14/210  
 D742,446 S \* 11/2015 Ikeda ..... D16/202  
 D743,467 S \* 11/2015 Bhattacharya ..... D16/203  
 D746,350 S \* 12/2015 Li ..... D16/203  
 D755,161 S \* 5/2016 Brunner ..... D14/216  
 D766,213 S \* 9/2016 Hinokio ..... D14/216  
 D766,303 S \* 9/2016 Anzures ..... D14/486  
 D776,740 S \* 1/2017 Okawa ..... D16/203  
 D789,438 S \* 6/2017 Kim ..... D16/237

D796,566 S \* 9/2017 Bingleman ..... D16/203  
 D803,924 S \* 11/2017 Martin ..... D16/218  
 D810,135 S \* 2/2018 Langhammer ..... D14/496  
 D816,752 S \* 5/2018 Kim ..... D16/202  
 D819,112 S \* 5/2018 Kim ..... D16/218  
 D825,358 S \* 8/2018 Lee ..... D10/70  
 D826,276 S \* 8/2018 Langhammer ..... D14/496  
 D828,856 S \* 9/2018 Langhammer ..... D14/496  
 D835,071 S \* 12/2018 Channey ..... D14/216  
 D835,612 S \* 12/2018 Tong ..... D14/225  
 D838,305 S \* 1/2019 Chang ..... D16/203  
 D842,276 S \* 3/2019 Brunner ..... D14/219  
 D842,278 S \* 3/2019 Tong ..... D14/227  
 D842,358 S \* 3/2019 Puric ..... D16/203  
 D848,502 S \* 5/2019 Puric ..... D16/203  
 D849,107 S \* 5/2019 Huang ..... D16/218  
 D863,404 S \* 10/2019 Karpenko ..... D16/218  
 D867,426 S \* 11/2019 Huang ..... D16/210  
 D867,427 S \* 11/2019 Bai ..... D16/210  
 D875,575 S \* 2/2020 Fagnot ..... D10/70  
 D875,809 S \* 2/2020 Huang ..... D16/203  
 D884,768 S \* 5/2020 Liu ..... D16/203  
 D888,132 S \* 6/2020 Kao ..... D16/235  
 D888,795 S \* 6/2020 Yuan ..... D16/203  
 2017/0054907 A1 \* 2/2017 Nishihara ..... H04N 5/23238  
 2018/0024332 A1 \* 1/2018 Henthorn ..... G02B 17/00  
 359/834  
 2018/0146122 A1 \* 5/2018 Campbell ..... G03B 17/561  
 2018/0184001 A1 \* 6/2018 Yoshida ..... H04N 1/00  
 2019/0289203 A1 \* 9/2019 Suitoh ..... H04N 5/23203  
 2019/0394367 A1 \* 12/2019 Tada ..... H01Q 1/22

\* cited by examiner

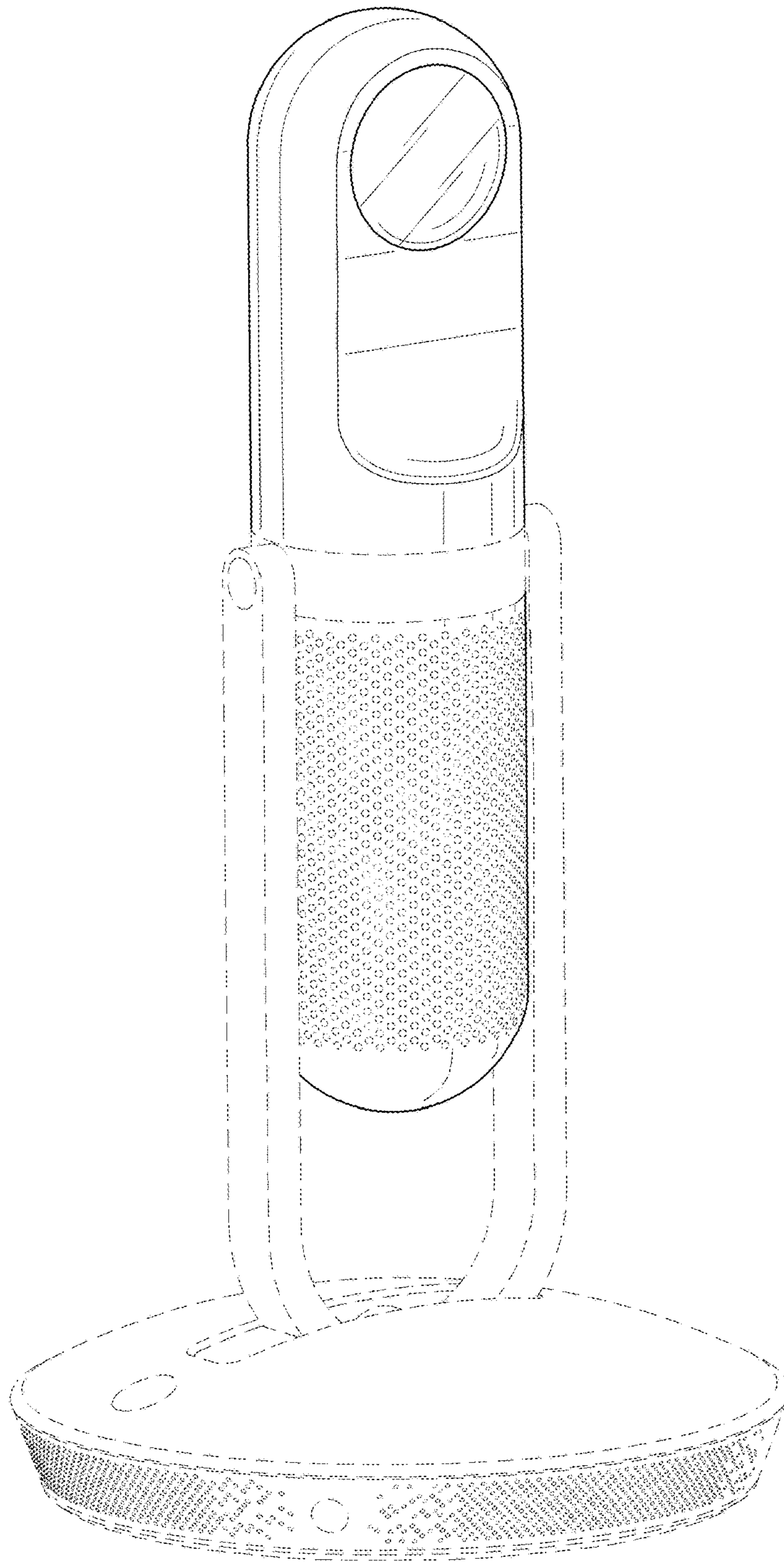


FIG. 1



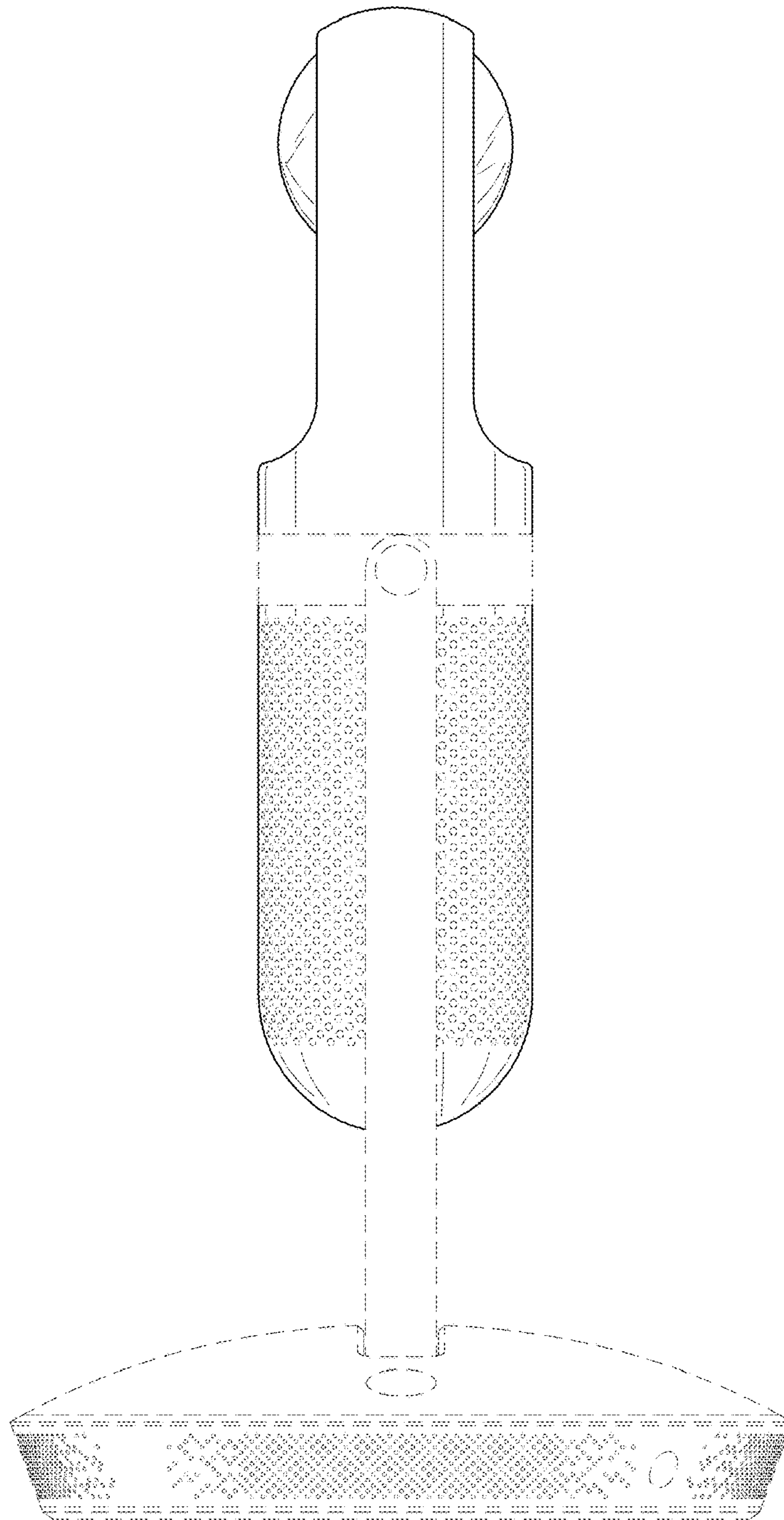


FIG. 2

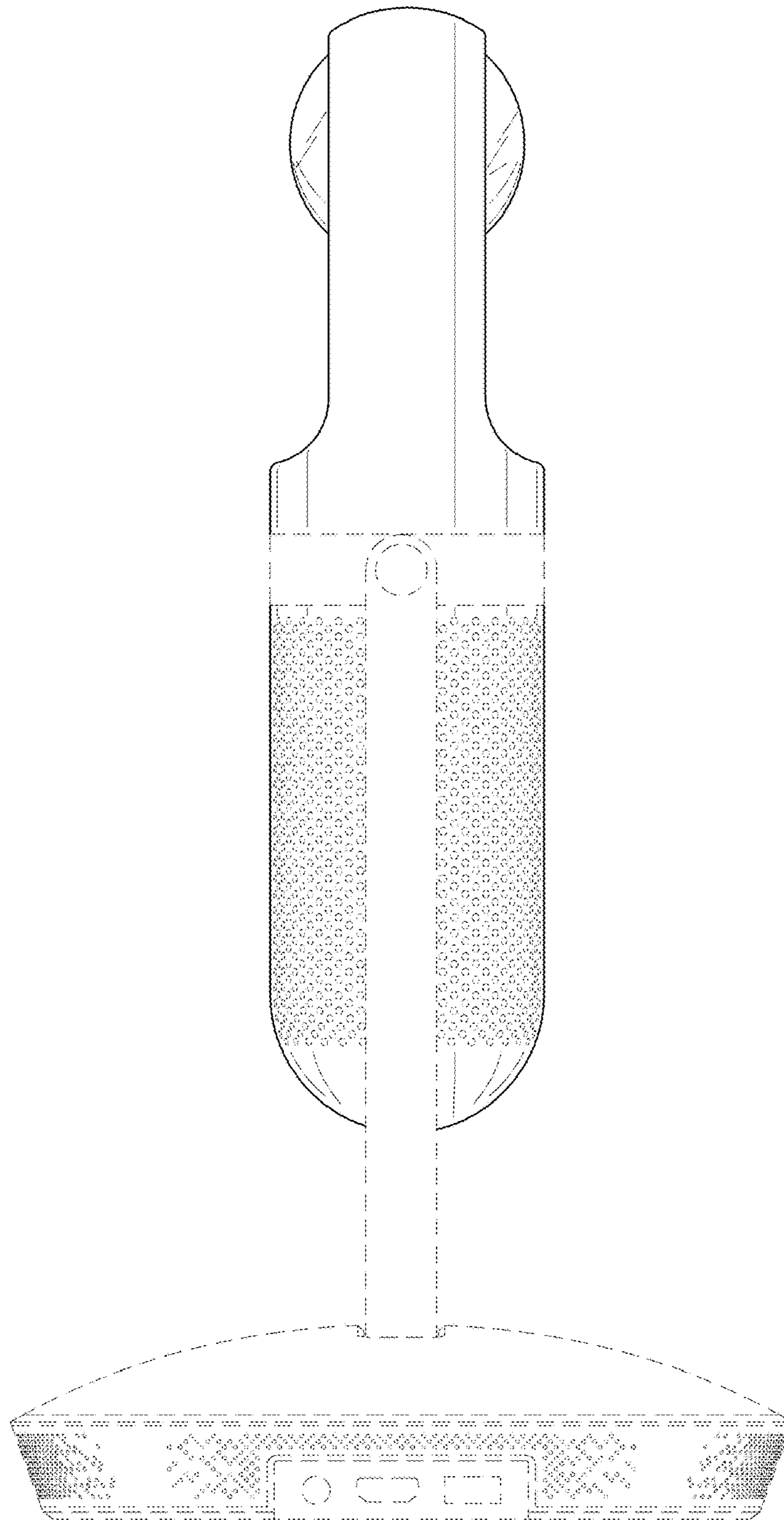


FIG. 3

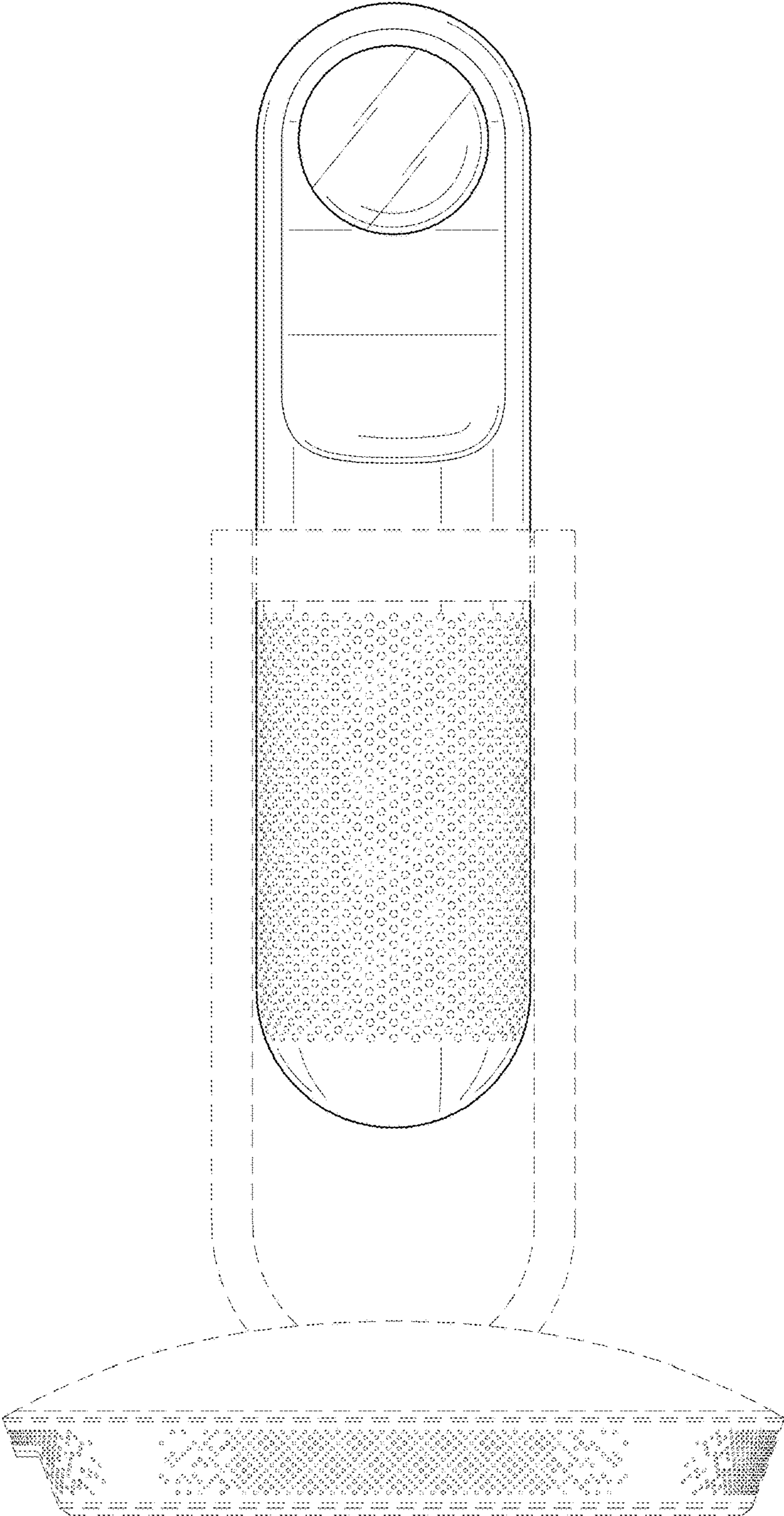


FIG. 4

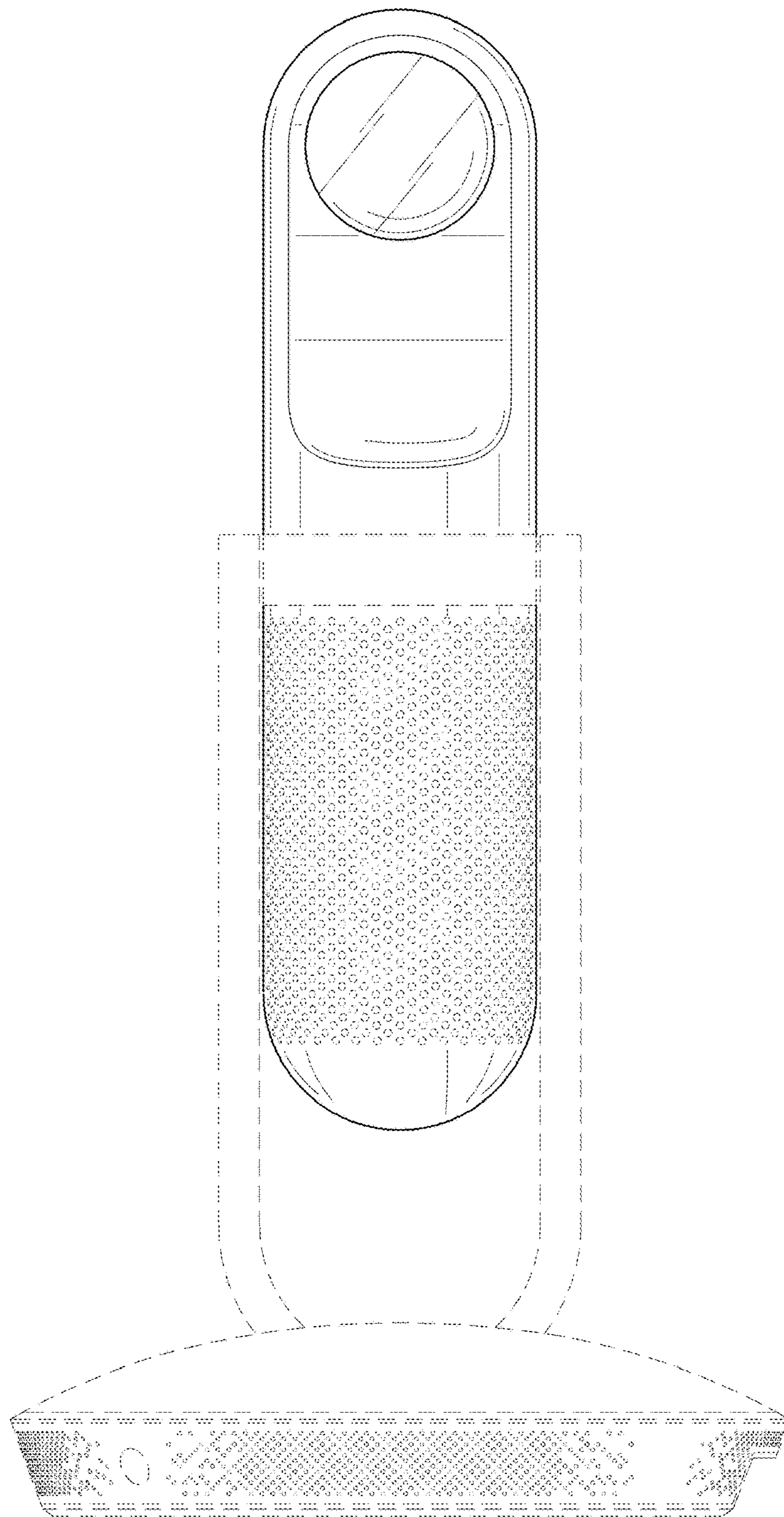


FIG. 5

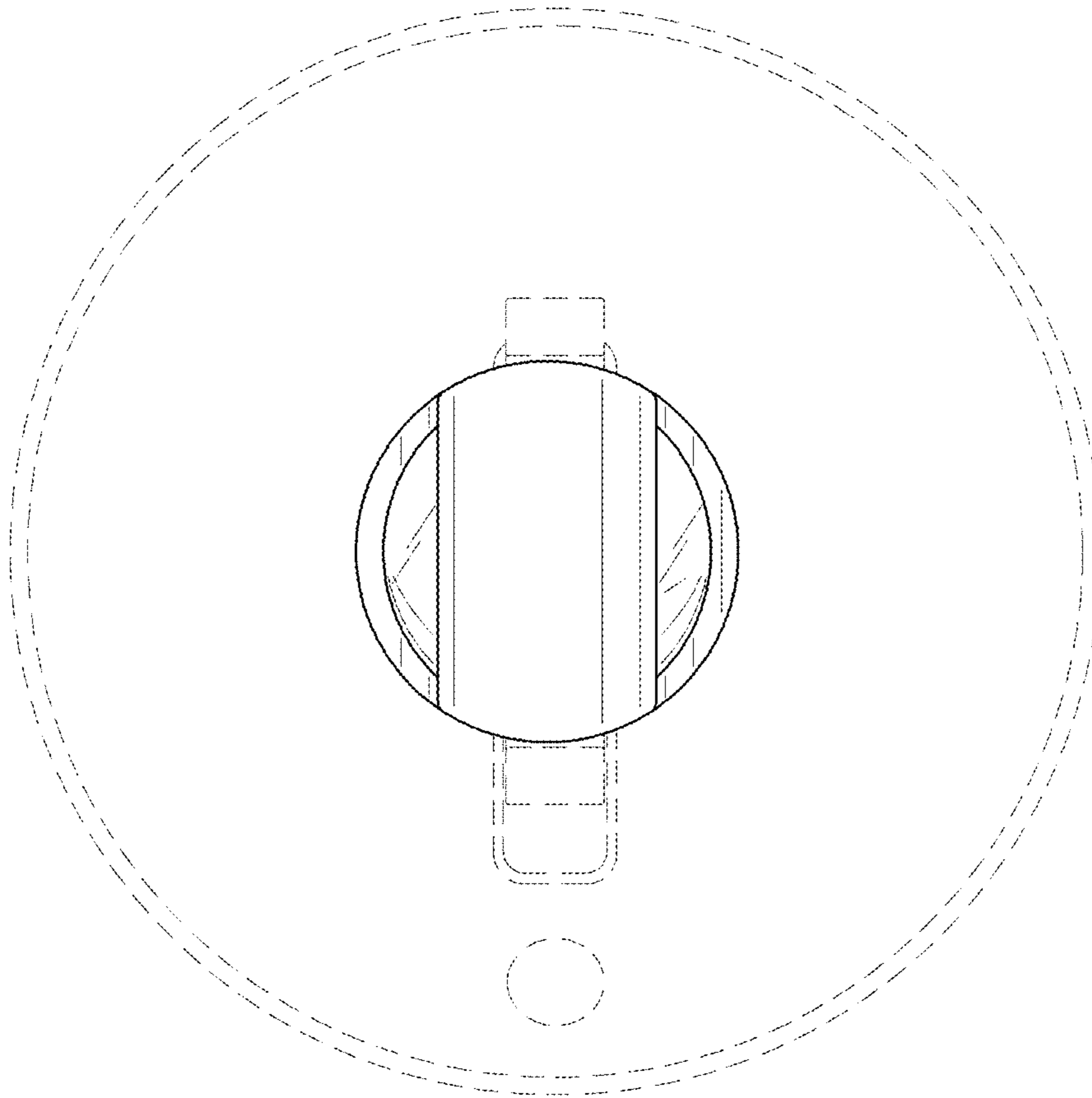


FIG. 6



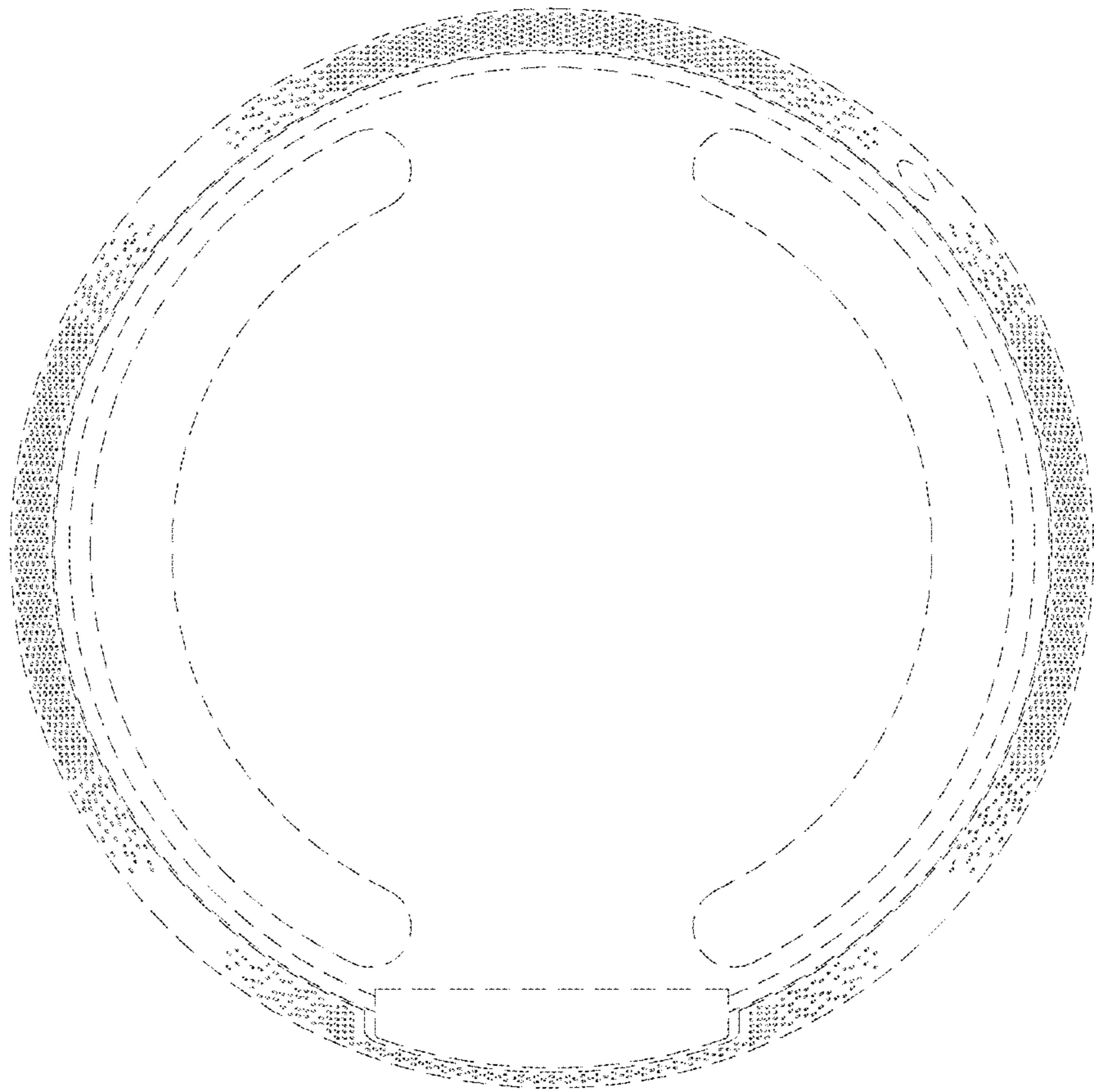


FIG. 7

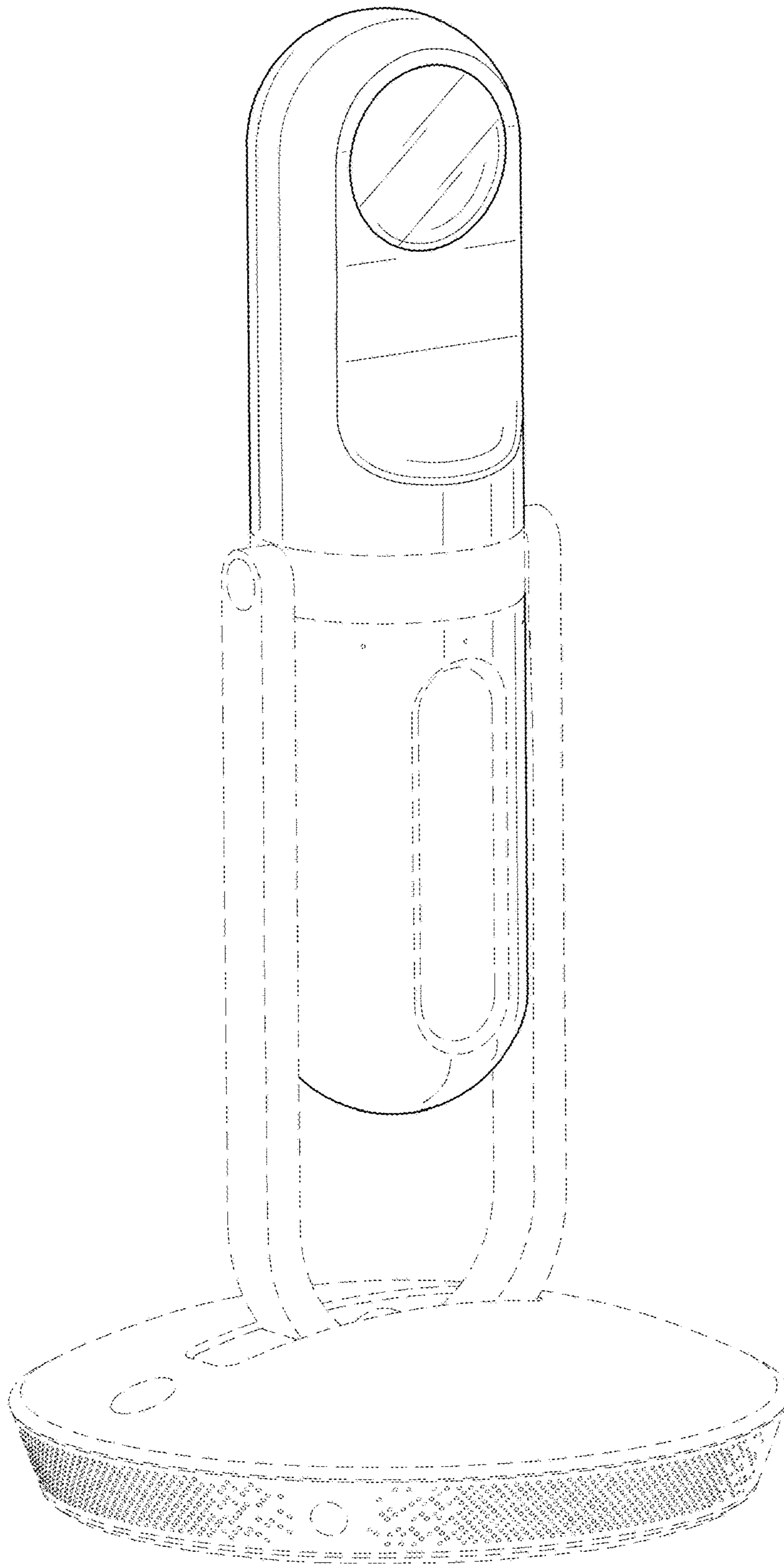


FIG. 8

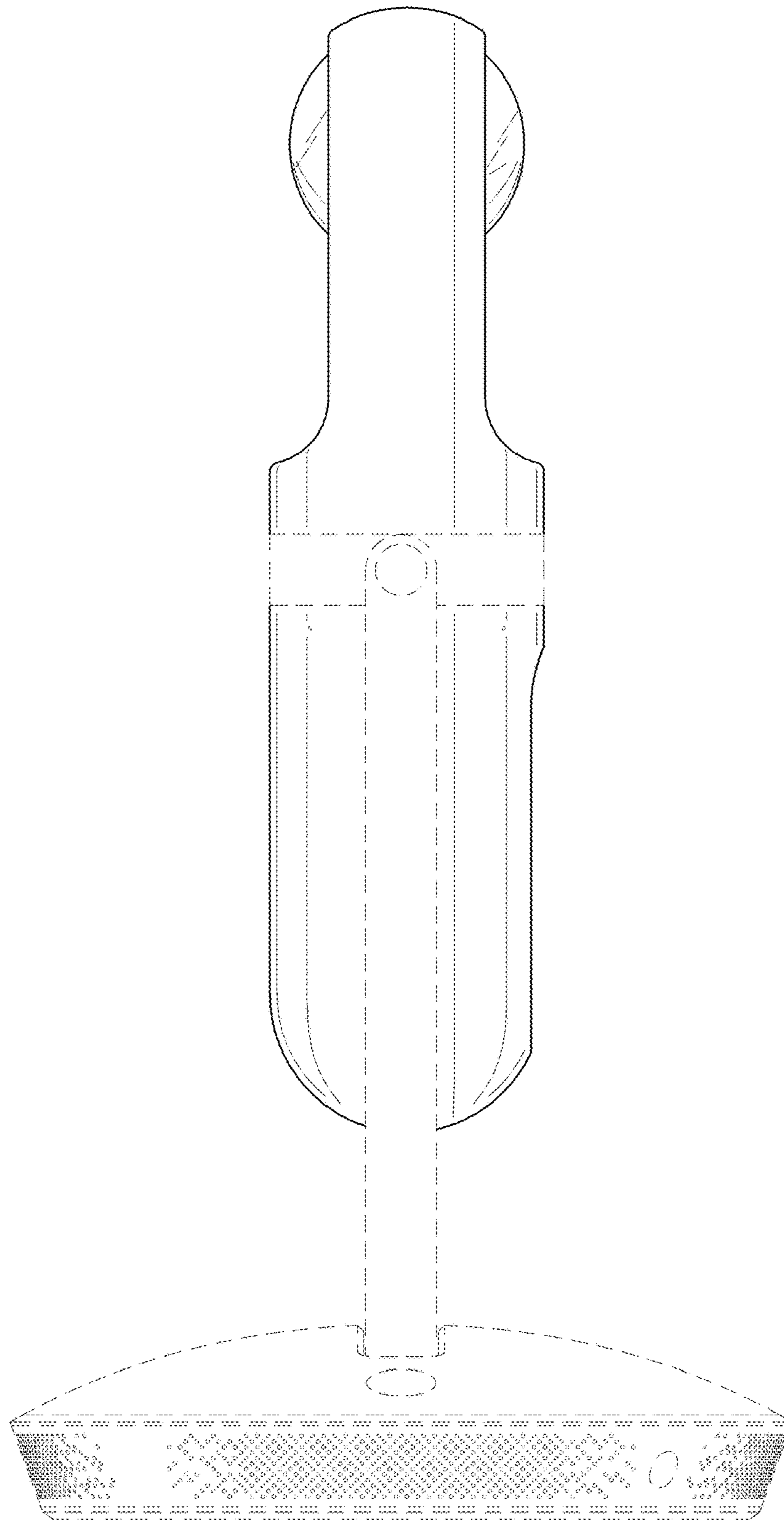


FIG. 9

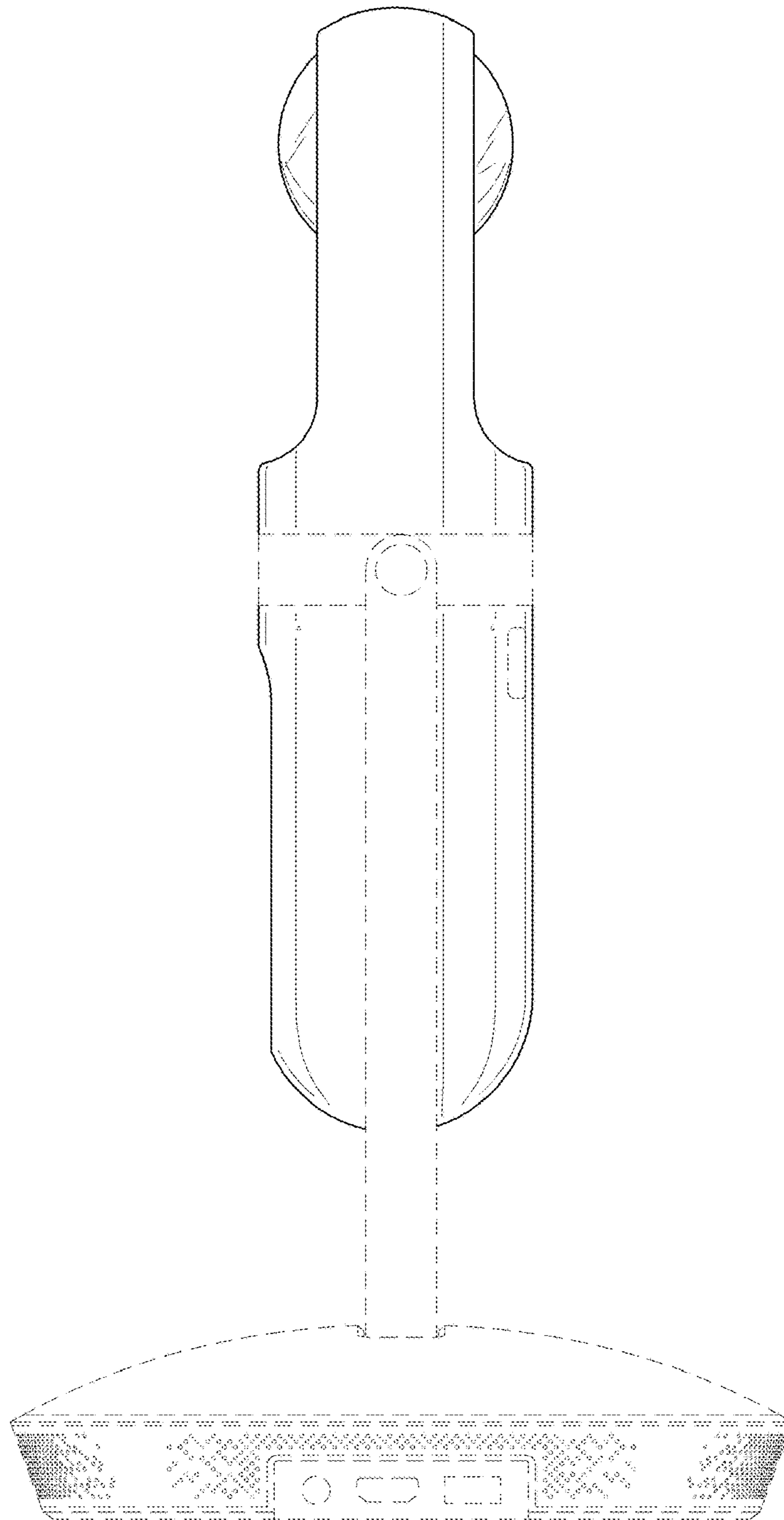


FIG. 10



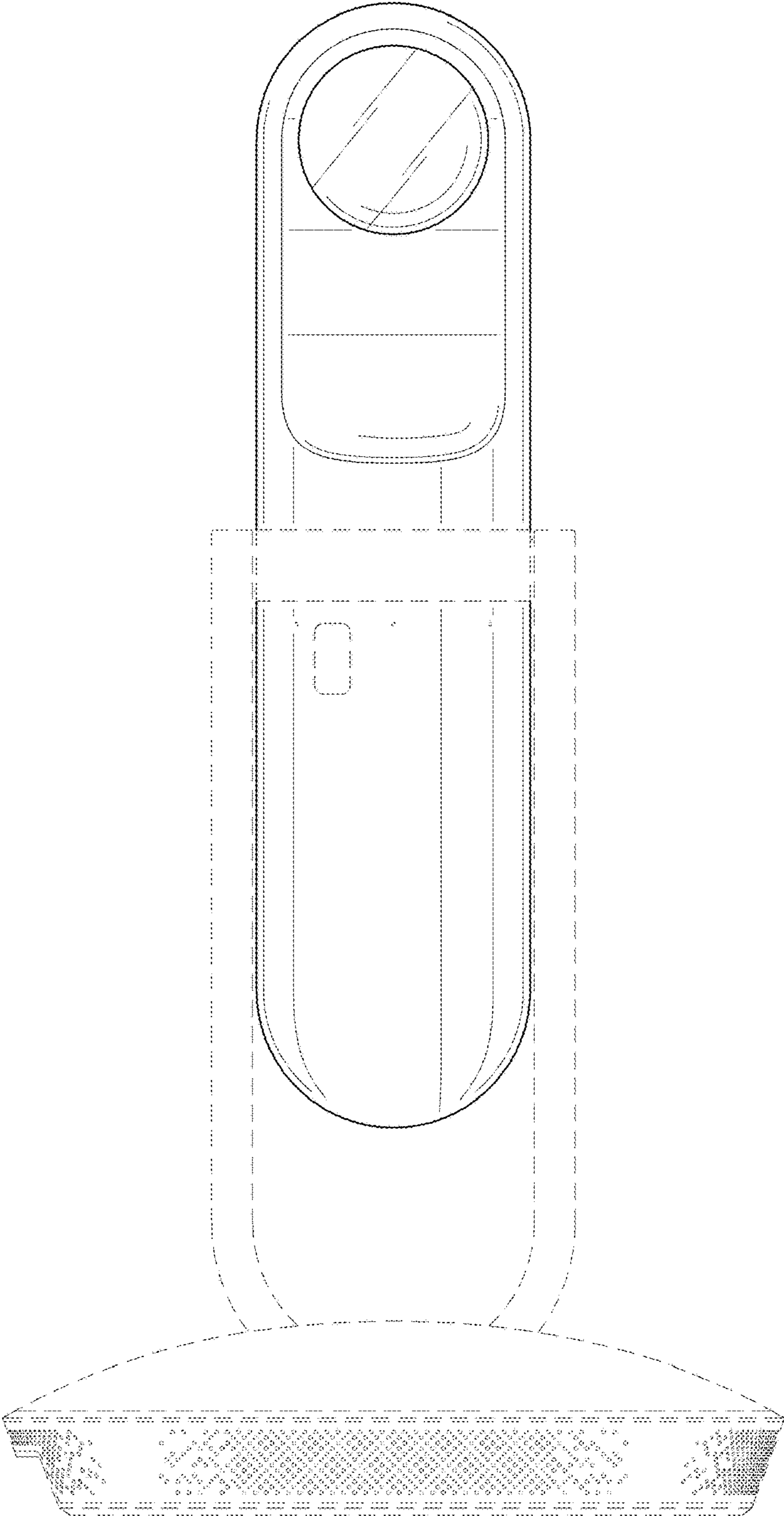


FIG. 11

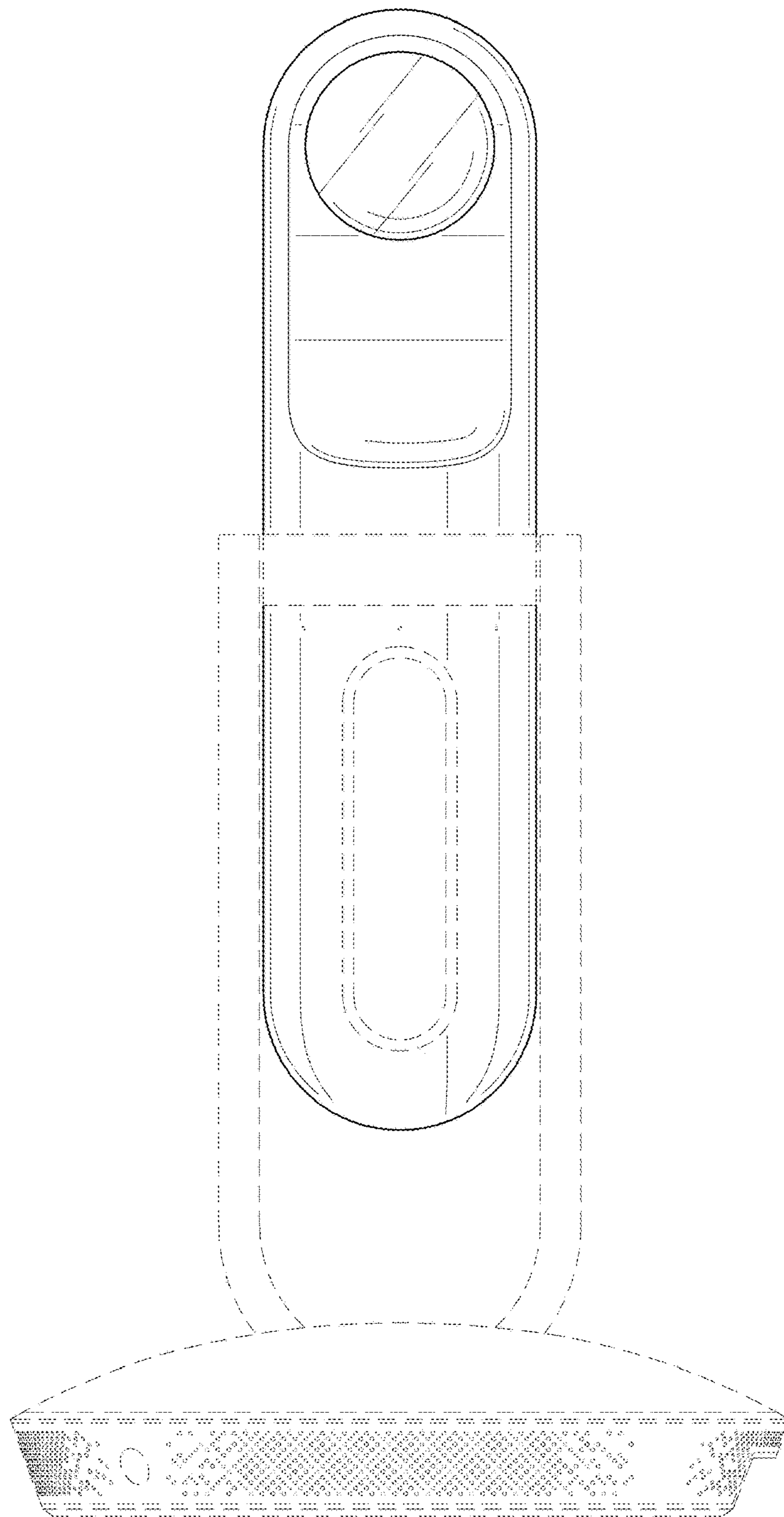


FIG. 12

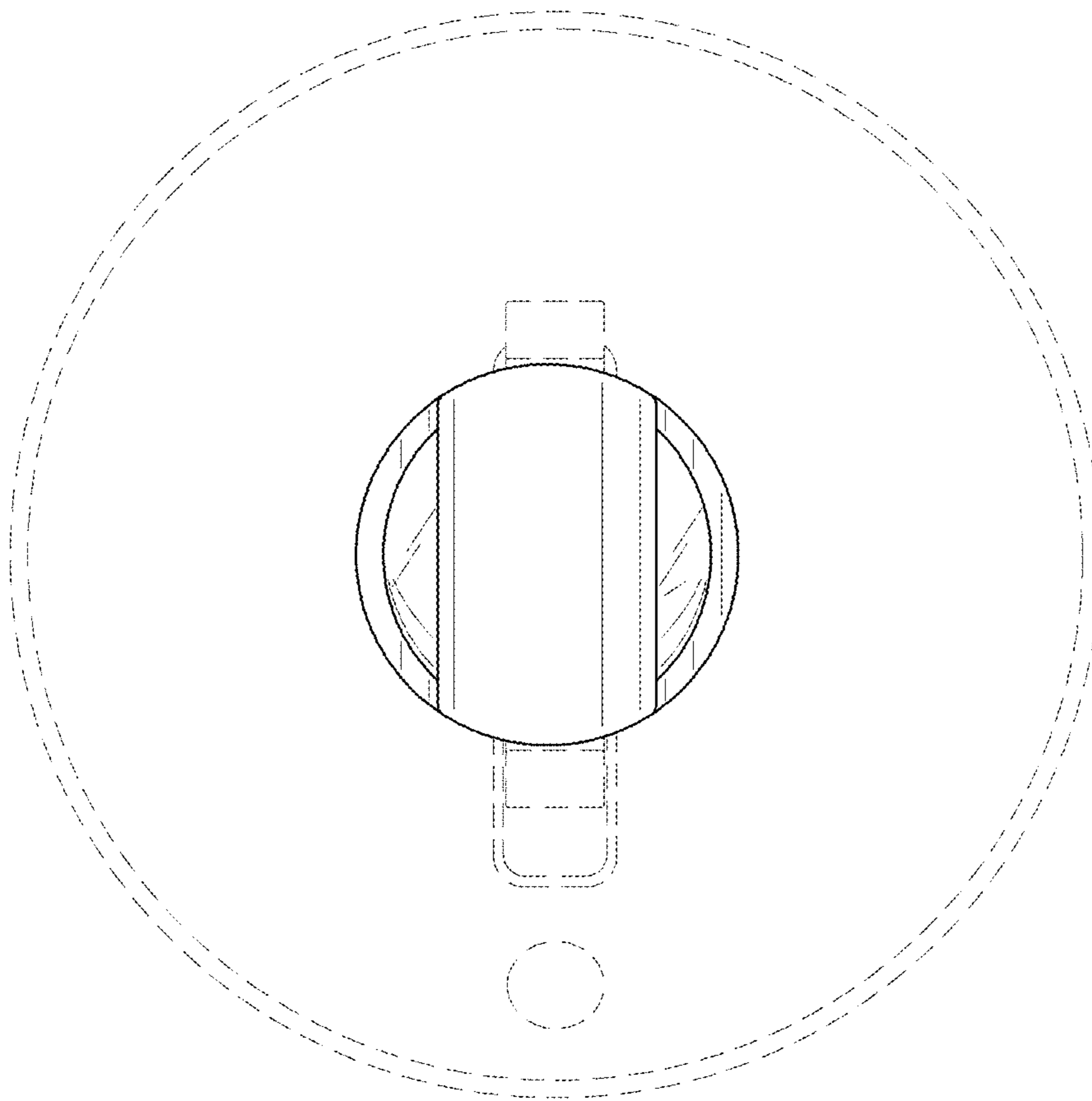


FIG. 13

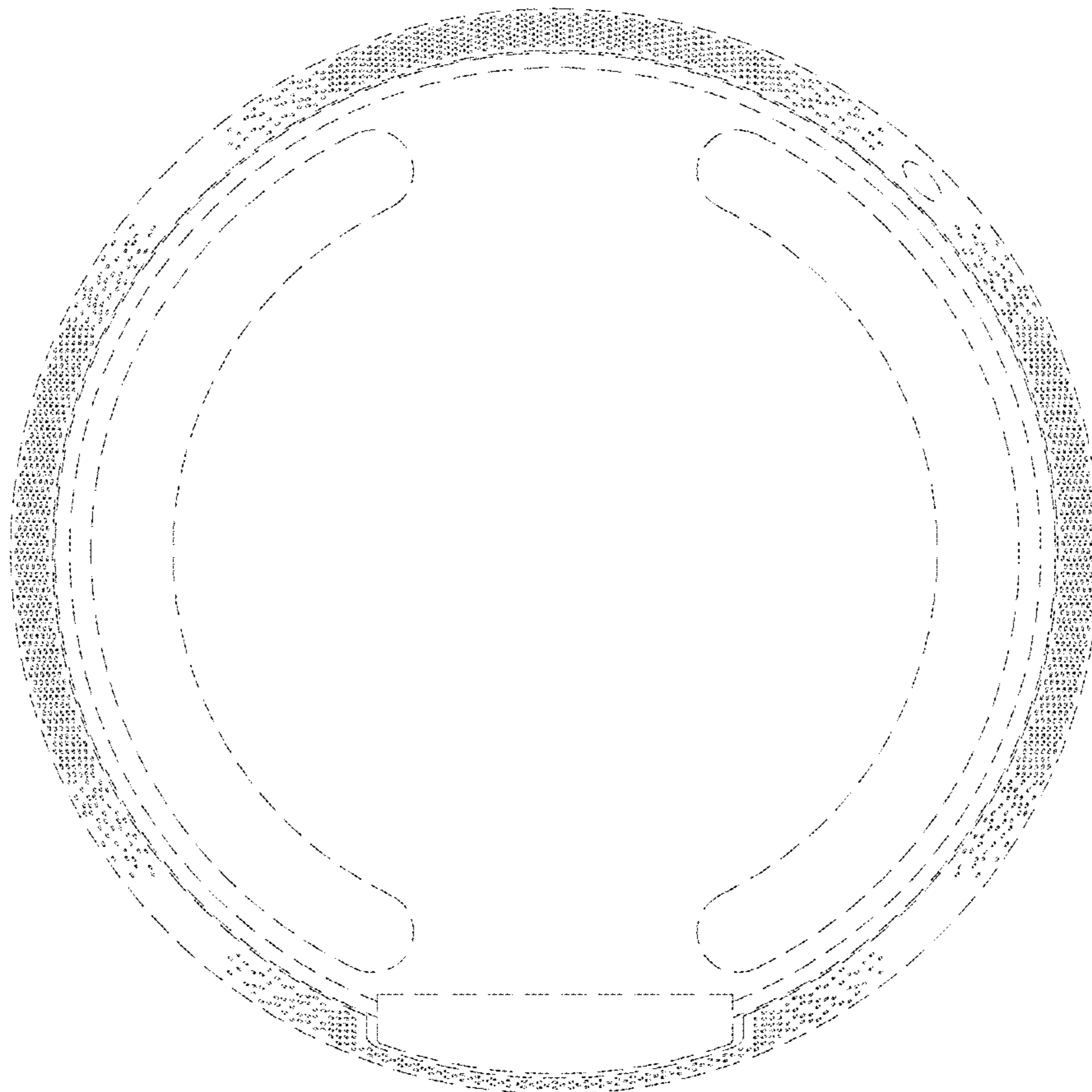


FIG. 14