



US00D902282S

(12) **United States Design Patent**  
**Gu et al.**

(10) **Patent No.:** **US D902,282 S**  
(45) **Date of Patent:** **\*\* Nov. 17, 2020**

(54) **CAMERA**

(71) Applicant: **Axis AB**, Lund (SE)

(72) Inventors: **Lisong Gu**, Shanghai (CN); **Mariano Vozzi**, Lund (SE); **Jonas Sjögren**, Lund (SE); **Mathias Walter**, Lund (SE); **Niclas Möller Lewin**, Lund (SE)

(73) Assignee: **AXIS AB**, Lund (SE)

(\*\*) Term: **15 Years**

(21) Appl. No.: **29/706,619**

(22) Filed: **Sep. 21, 2019**

(30) **Foreign Application Priority Data**

Mar. 27, 2019 (EM) ..... 006335360

(51) **LOC (12) Cl.** ..... **16-01**

(52) **U.S. Cl.**  
USPC ..... **D16/203**

(58) **Field of Classification Search**  
USPC ..... D16/200, 202-208, 218, 219, 242;  
348/143, 148, 151, 164, 373-376;  
396/419, 427, 535, 539-541  
CPC ..... G03B 17/02; G03B 19/04; G03B 17/56;  
G03B 17/04; G03B 15/03; H04N 5/2251;  
H04N 5/2252; H04N 5/2253; H04N  
5/2254; H04N 7/181; H04N 7/183; H04N  
7/18; G08B 13/1963; G08B 13/19619;  
G08B 13/19632; F16M 11/04; F16M  
13/00

See application file for complete search history.

(56) **References Cited**

**U.S. PATENT DOCUMENTS**

D753,751 S \* 4/2016 Moller-Lewin ..... H04N 5/2252  
D16/203  
D842,358 S 3/2019 Puric et al.  
D848,503 S \* 5/2019 Ahman ..... D16/203

D848,504 S \* 5/2019 Ahman ..... D16/203  
D855,584 S \* 8/2019 Laine ..... D14/216  
D866,639 S \* 11/2019 Fang ..... D16/203  
D874,534 S \* 2/2020 Matsuo ..... D16/203  
D881,968 S \* 4/2020 Persson ..... D16/203  
D883,362 S \* 5/2020 Lee ..... D16/208  
D884,770 S \* 5/2020 Xue ..... D16/203  
D886,177 S \* 6/2020 Ramones ..... D16/203  
D890,830 S \* 7/2020 Song ..... D16/202

(Continued)

**FOREIGN PATENT DOCUMENTS**

EM 001358469-0003 1/2013  
EM 003029412 3/2016  
EM 006295085-0001 3/2019

(Continued)

**OTHER PUBLICATIONS**

Translation of the Taiwanese Search Report for Taiwanese Design Patent Application No. 108305982, completed Jun. 2, 2020, 1 page.

*Primary Examiner* — Ramzi S Almatrahi  
(74) *Attorney, Agent, or Firm* — Tucker Ellis LLP

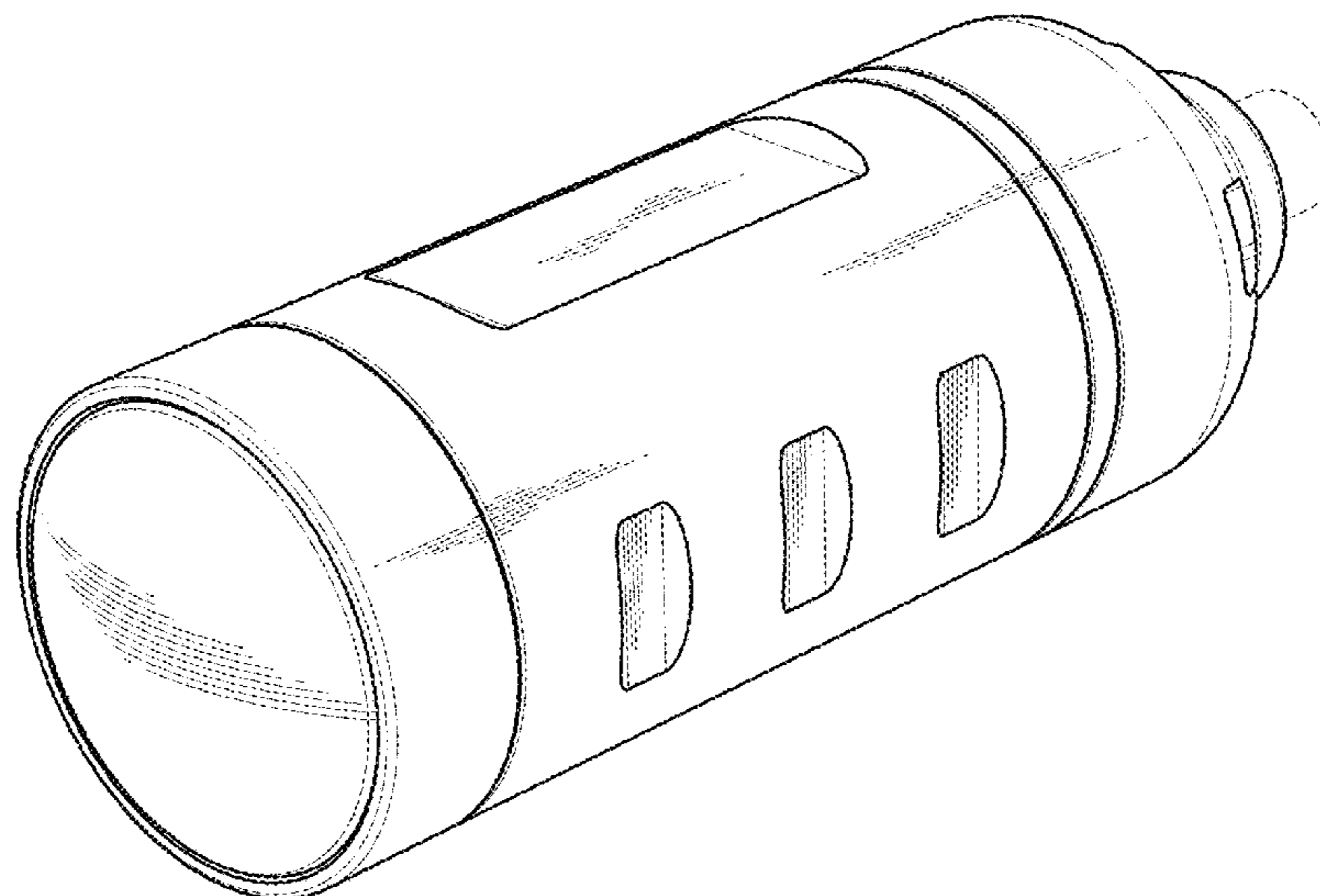
(57) **CLAIM**

The ornamental design for a camera, as shown and described.

**DESCRIPTION**

FIG. 1 is a top, front and left side perspective view of a camera showing our new design;  
FIG. 2 is a top view thereof;  
FIG. 3 is a bottom view thereof;  
FIG. 4 is a left side view thereof;  
FIG. 5 is a right side view thereof;  
FIG. 6 is a front view thereof; and,  
FIG. 7 is a rear view thereof.  
The broken lines illustrate portions of the camera that form no part of the claimed design.

**1 Claim, 4 Drawing Sheets**



(56)

**References Cited**

U.S. PATENT DOCUMENTS

D894,250 S \* 8/2020 Hur ..... D16/202

FOREIGN PATENT DOCUMENTS

JP	D1596362 S	1/2018
TW	D192524 S	8/2018

\* cited by examiner

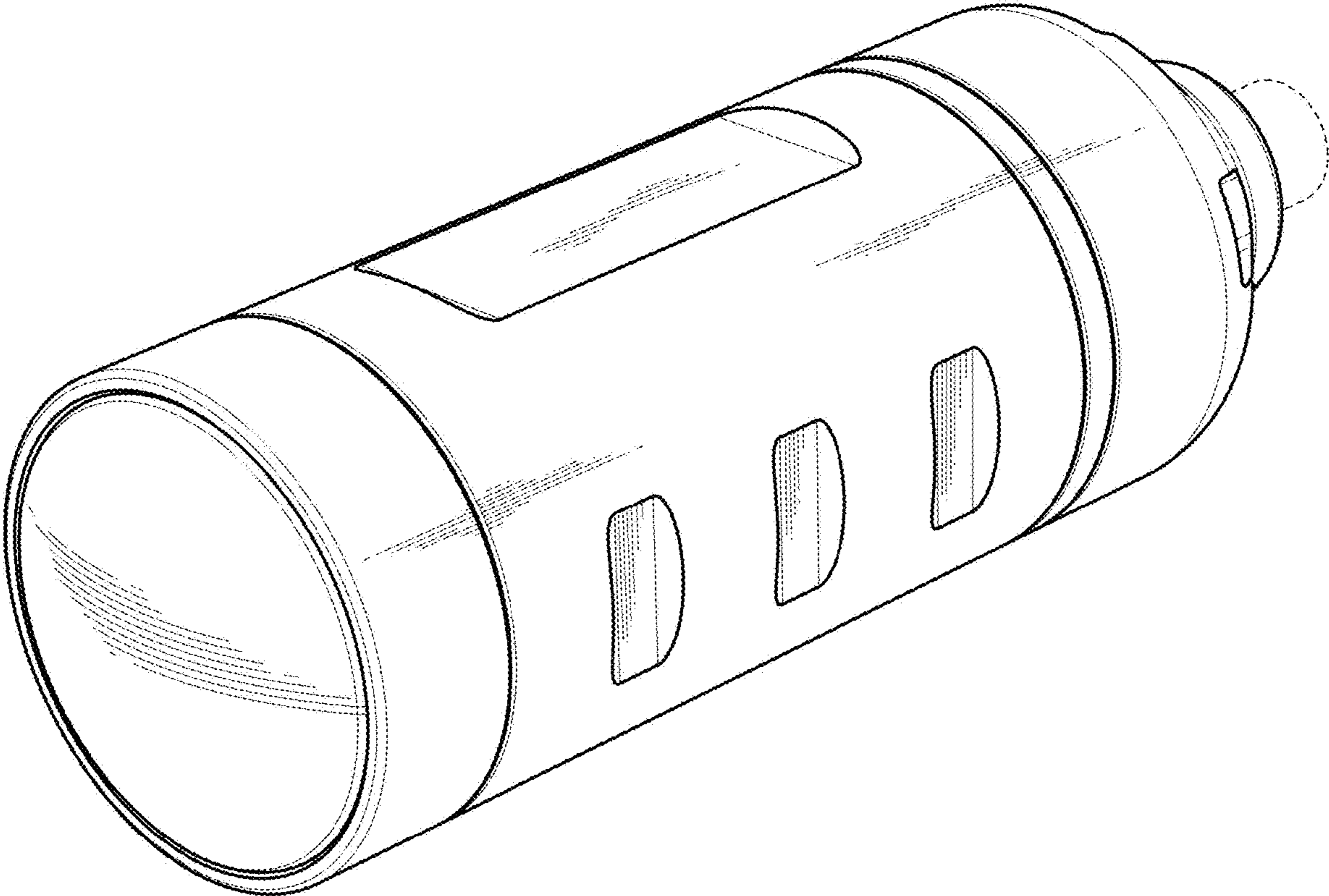


FIG. 1

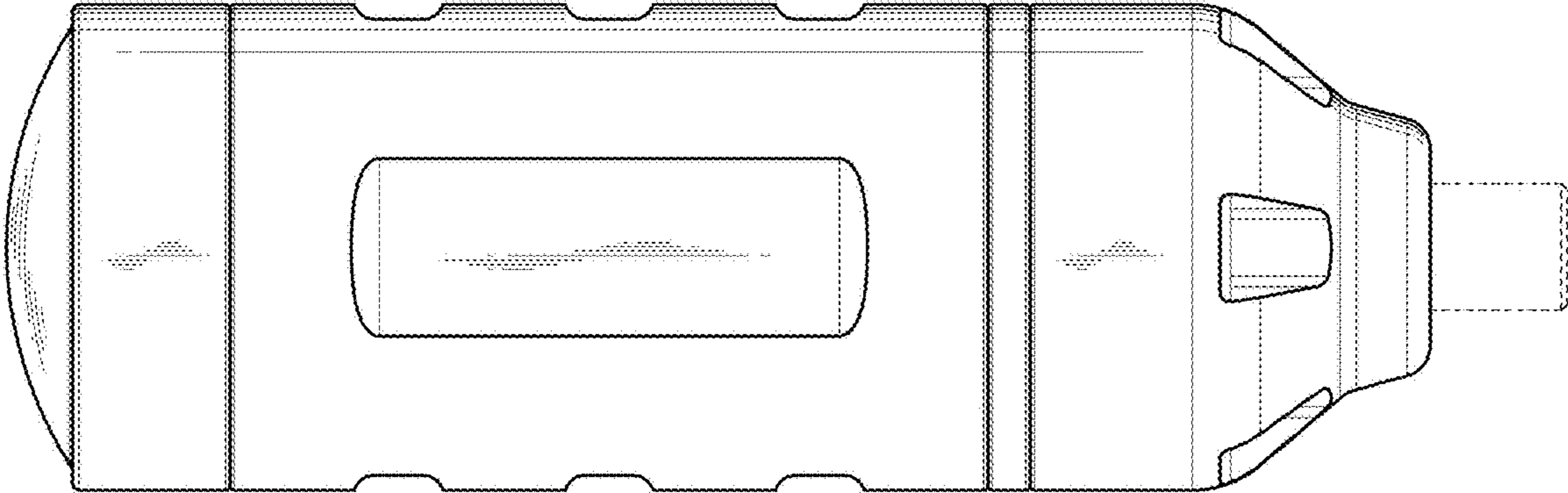


FIG. 2

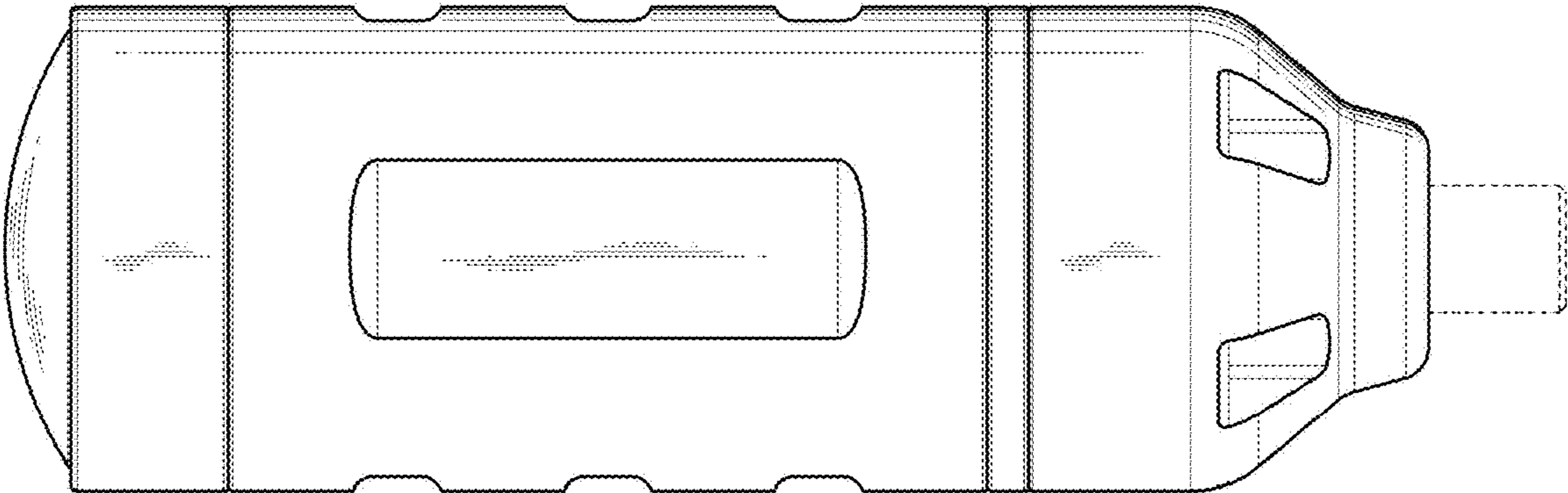


FIG. 3

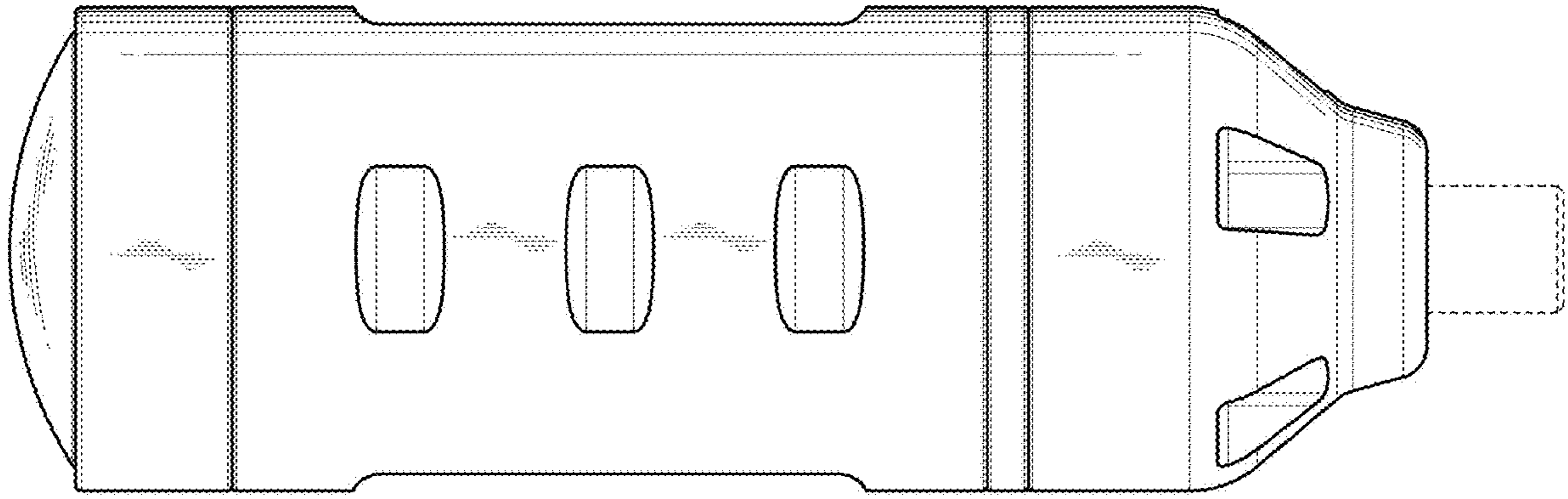


FIG. 4

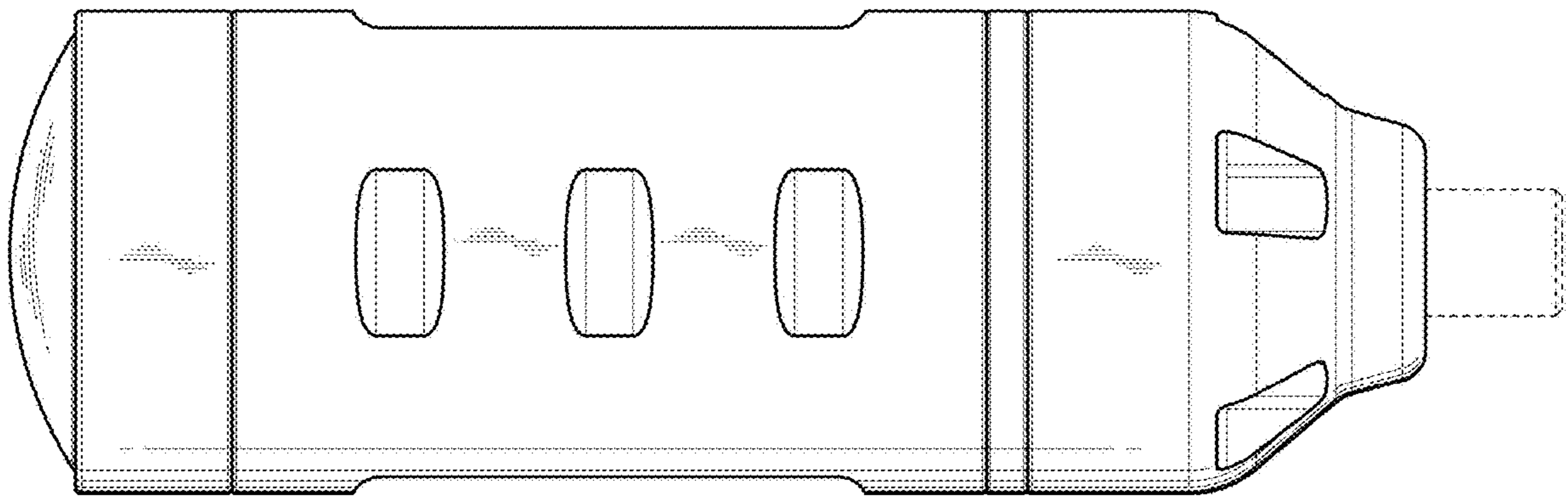


FIG. 5

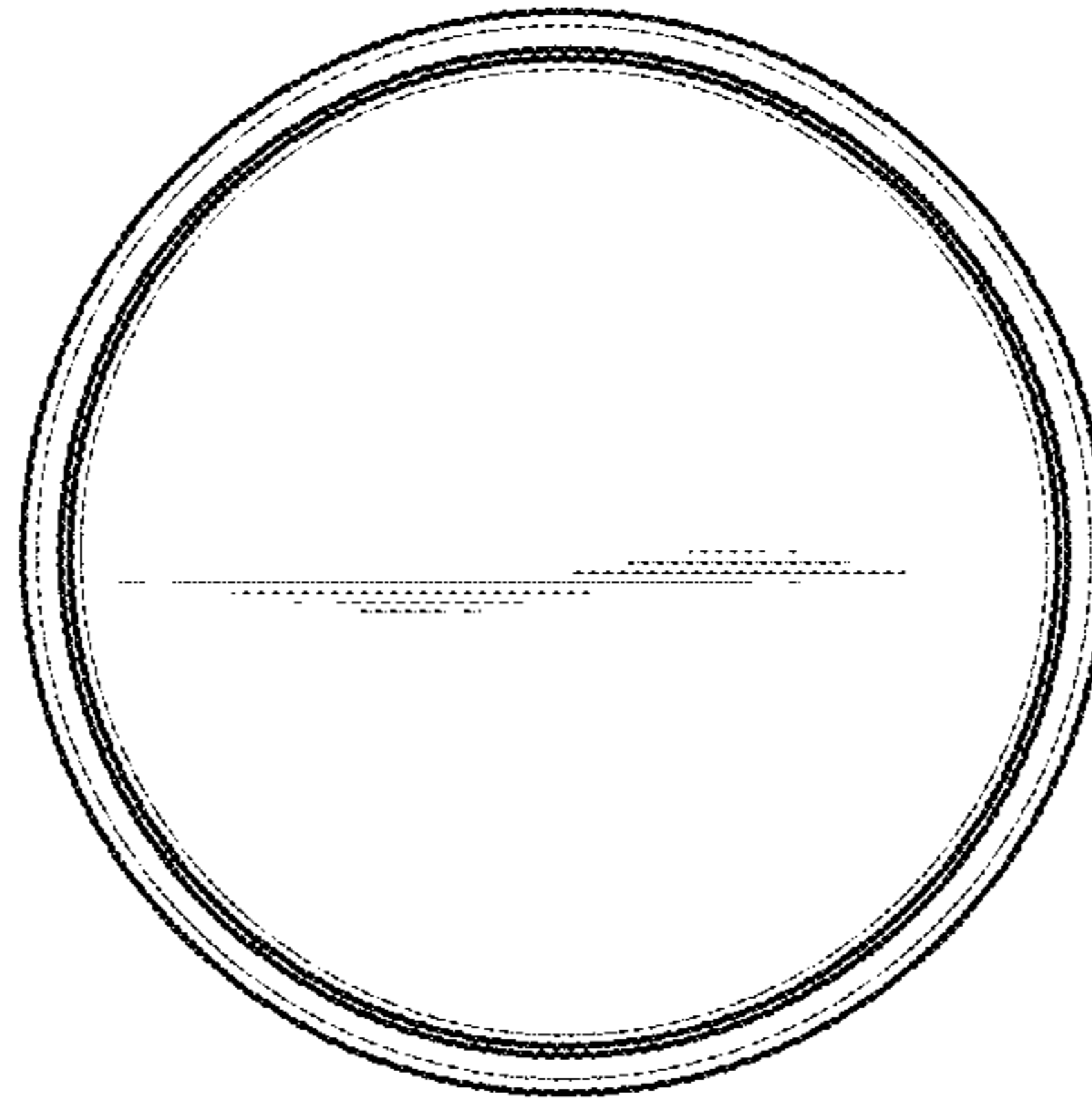


FIG. 6

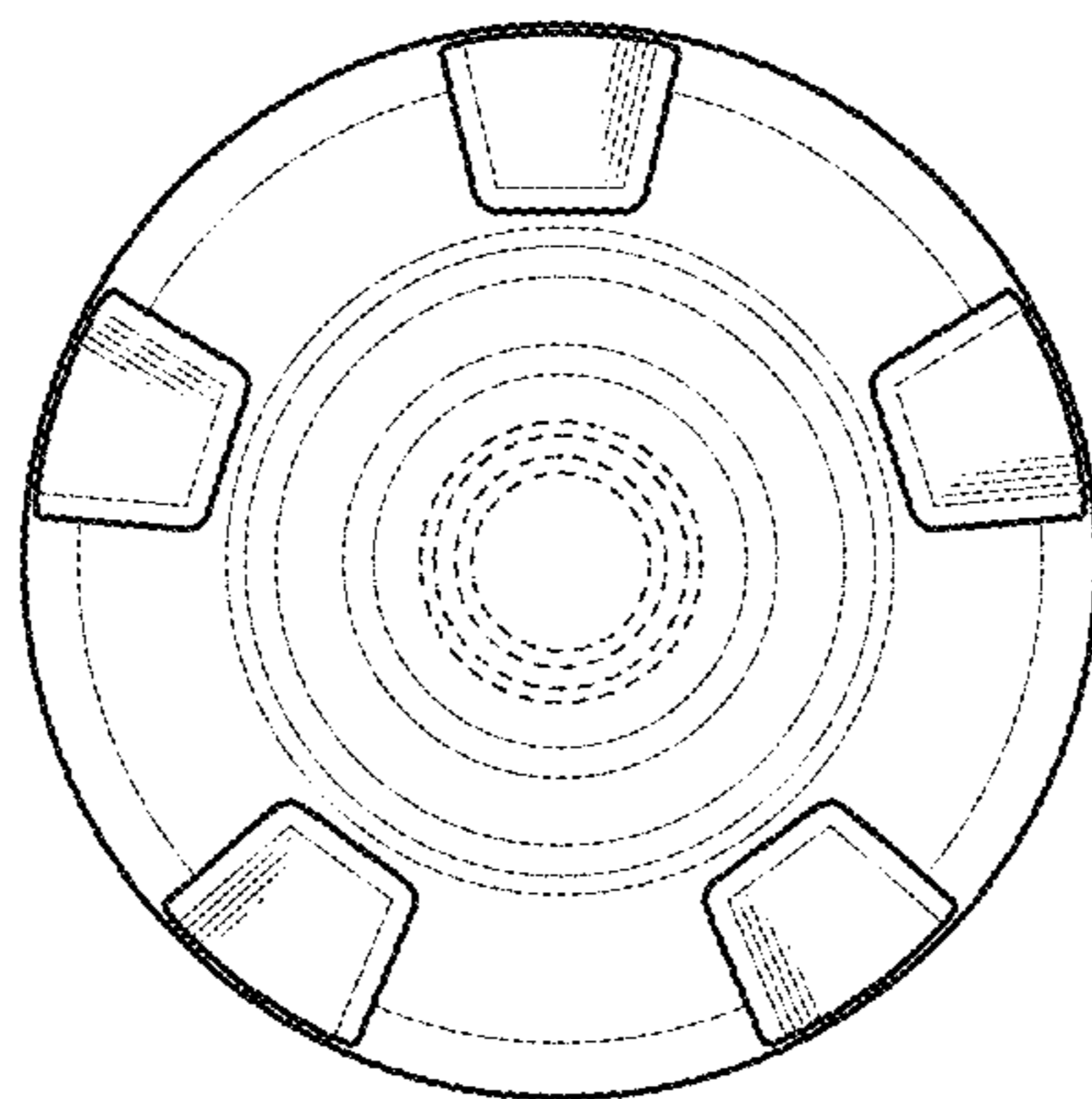


FIG. 7