



US00D902280S

(12) **United States Design Patent** (10) **Patent No.:** **US D902,280 S**
Grotto et al. (45) **Date of Patent:** **** Nov. 17, 2020**

(54) **VIDEO CAMERA**
(71) Applicant: **VIDEOTECH S.p.A.**, Schio (IT)
(72) Inventors: **Alessio Grotto**, Schio (IT); **Anna Dosso**, Schio (IT)
(73) Assignee: **VIDEOTECH S.p.A.**, Schio (IT)
(**) Term: **15 Years**
(21) Appl. No.: **29/669,977**
(22) Filed: **Nov. 13, 2018**
(30) **Foreign Application Priority Data**
Sep. 21, 2018 (EP) 005652948
(51) **LOC (12) Cl.** **16-01**
(52) **U.S. Cl.**
USPC **D16/203**
(58) **Field of Classification Search**
USPC D16/200-220, 131, 132, 237, 242, 239,
D16/250, 235, 130, 134, 136, 238;
D14/417, 138 C, 240, 248, 203.1, 203.3,
D14/203.7, 218, 207, 440, 402, 454, 407,
D14/408; D10/104.1, 50, 65, 74, 70,
D10/118.2, 66; D18/43; D29/102, 122,
D29/103
CPC G03B 17/00; G03B 17/02; G03B 17/56;
G03B 17/04; G03B 17/14; G03B 17/08;
G03B 15/03; G03B 15/06; H04N
1/00981; H04N 5/2251; H04N 5/2252;
H04N 5/2253; H04N 5/2254; H04N
5/23238; H04N 7/00; H04N 13/239;
H04N 2101/00; F16M 13/00
See application file for complete search history.

(56) **References Cited**
U.S. PATENT DOCUMENTS
5,224,675 A * 7/1993 Ellenberger F16M 11/10
248/183.4
D438,227 S * 2/2001 Grotto D16/203

7,163,181 B2 * 1/2007 Omps F16C 11/0619
248/181.1
D553,662 S * 10/2007 Grotto D16/242
D554,170 S * 10/2007 Grotto D16/203
D576,651 S * 9/2008 Willis D16/203
D576,652 S * 9/2008 Willis D16/203
D576,653 S * 9/2008 Malthouse D16/203
D594,739 S * 6/2009 Lee D8/363
D649,175 S * 11/2011 Willis D16/242
D663,972 S * 7/2012 Alexander D6/682
D696,674 S * 12/2013 Vogel D14/447
8,602,376 B2 * 12/2013 Vogel F16M 11/14
248/371
D716,863 S * 11/2014 Zutell D16/203
9,080,720 B2 * 7/2015 Kahn F16M 11/10
D791,286 S * 7/2017 Downey D23/257
D798,932 S * 10/2017 Katori D16/203

(Continued)

Primary Examiner — Dana K Weiland
Assistant Examiner — Mary Claire Ramirez
(74) *Attorney, Agent, or Firm* — Maier & Maier, PLLC

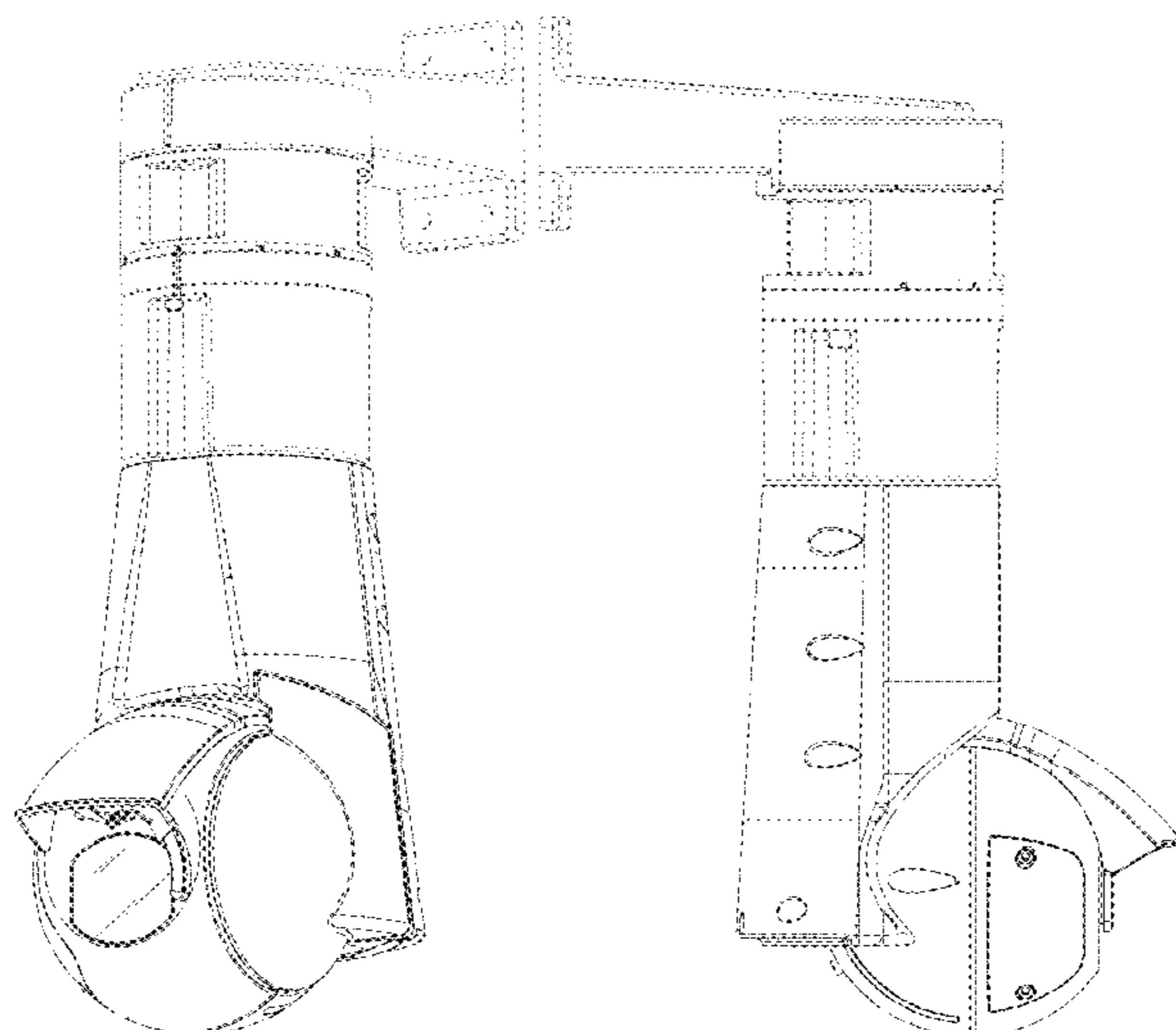
(57) **CLAIM**

The ornamental design for a video camera, as shown and described.

DESCRIPTION

FIG. 1 is a perspective view of a video camera, showing our design;
FIG. 2 is a top view thereof;
FIG. 3 is a bottom view thereof;
FIG. 4 is a front view thereof;
FIG. 5 is a back view thereof;
FIG. 6 is a left side view thereof; and,
FIG. 7 is a right side view thereof.
The broken lines shown in the Figures illustrate portions of the video camera that form no part of the claimed design.

1 Claim, 7 Drawing Sheets



(56)

References Cited

U.S. PATENT DOCUMENTS

D803,840 S * 11/2017 Burmester D14/447
D806,157 S * 12/2017 Marszalek, III D16/219
D818,518 S * 5/2018 Ahman D16/242
D831,667 S * 10/2018 Burmester D14/447
D832,273 S * 10/2018 Burmester D14/447
D848,503 S * 5/2019 Ahman D16/203
D851,157 S * 6/2019 Garlock D16/219
D851,158 S * 6/2019 Garlock D16/219
10,353,274 B2 * 7/2019 Song G08B 13/1963
D857,777 S * 8/2019 Rosenkvist D16/203
D870,187 S * 12/2019 Joulani D16/242
2015/0139635 A1 * 5/2015 Lellky G03B 17/561
396/427
2017/0230580 A1 * 8/2017 Ohara H04N 5/23296
2018/0106746 A1 * 4/2018 Dannan G01N 27/223

* cited by examiner

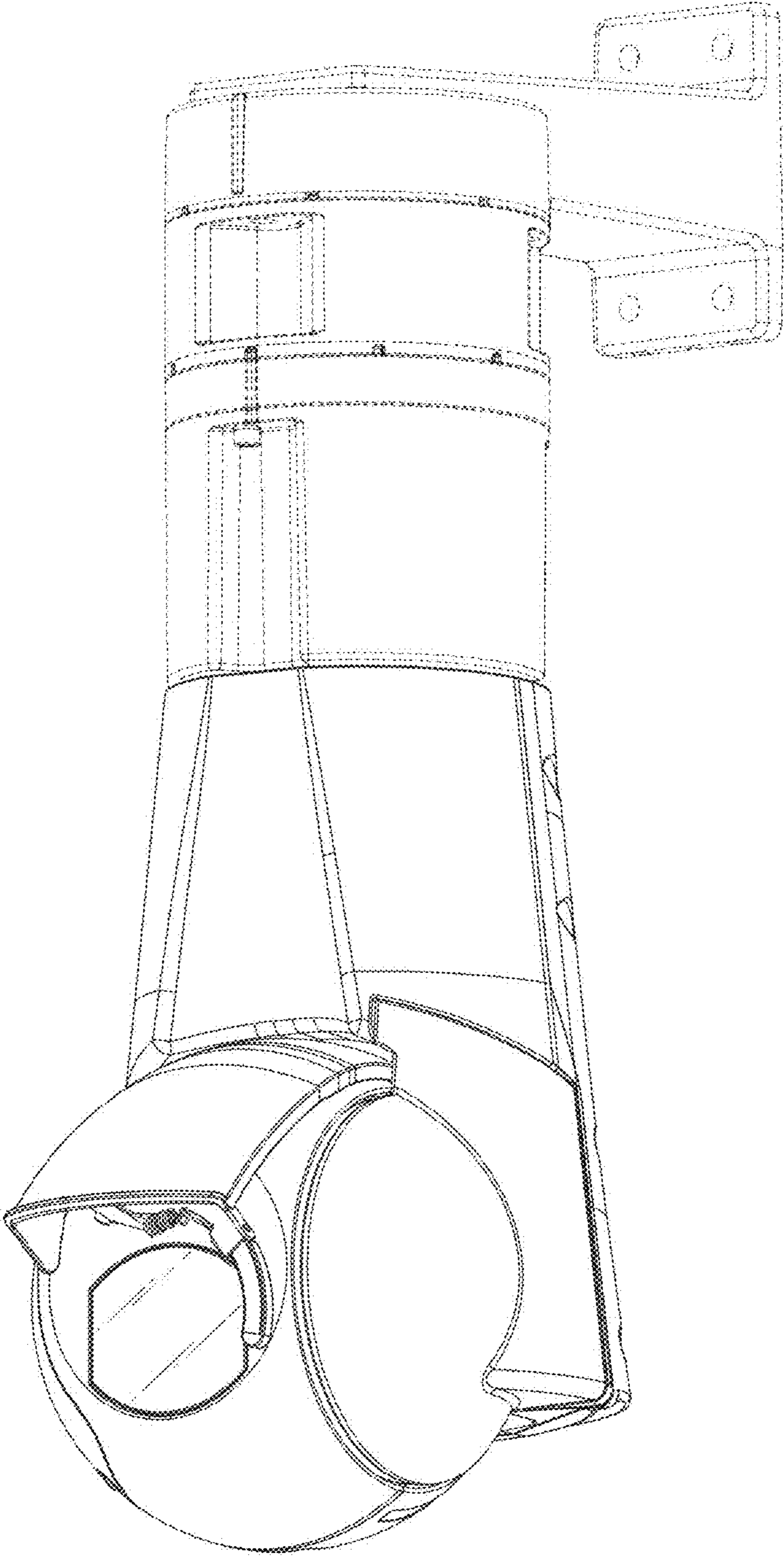


Fig. 1

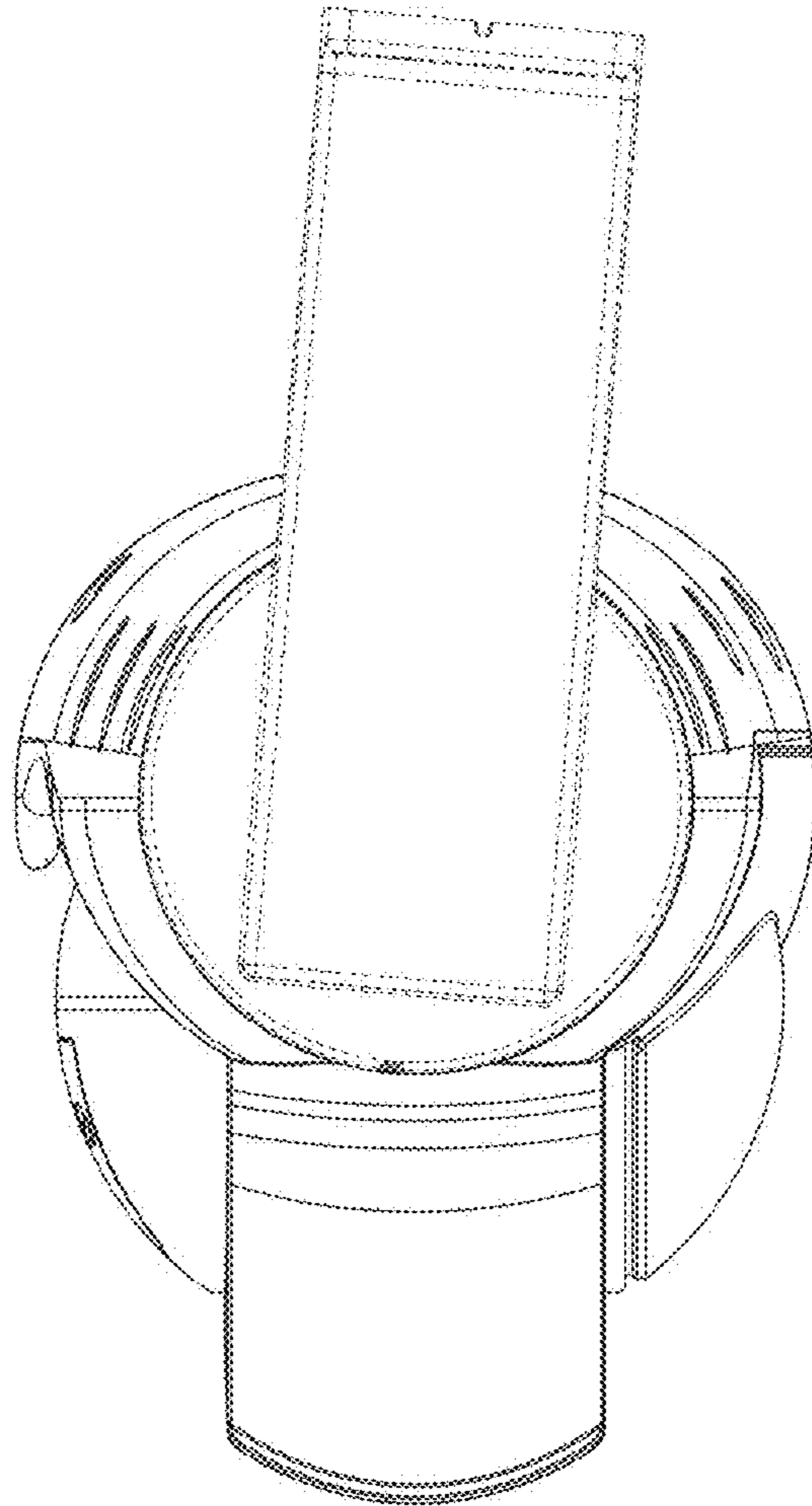


Fig. 2

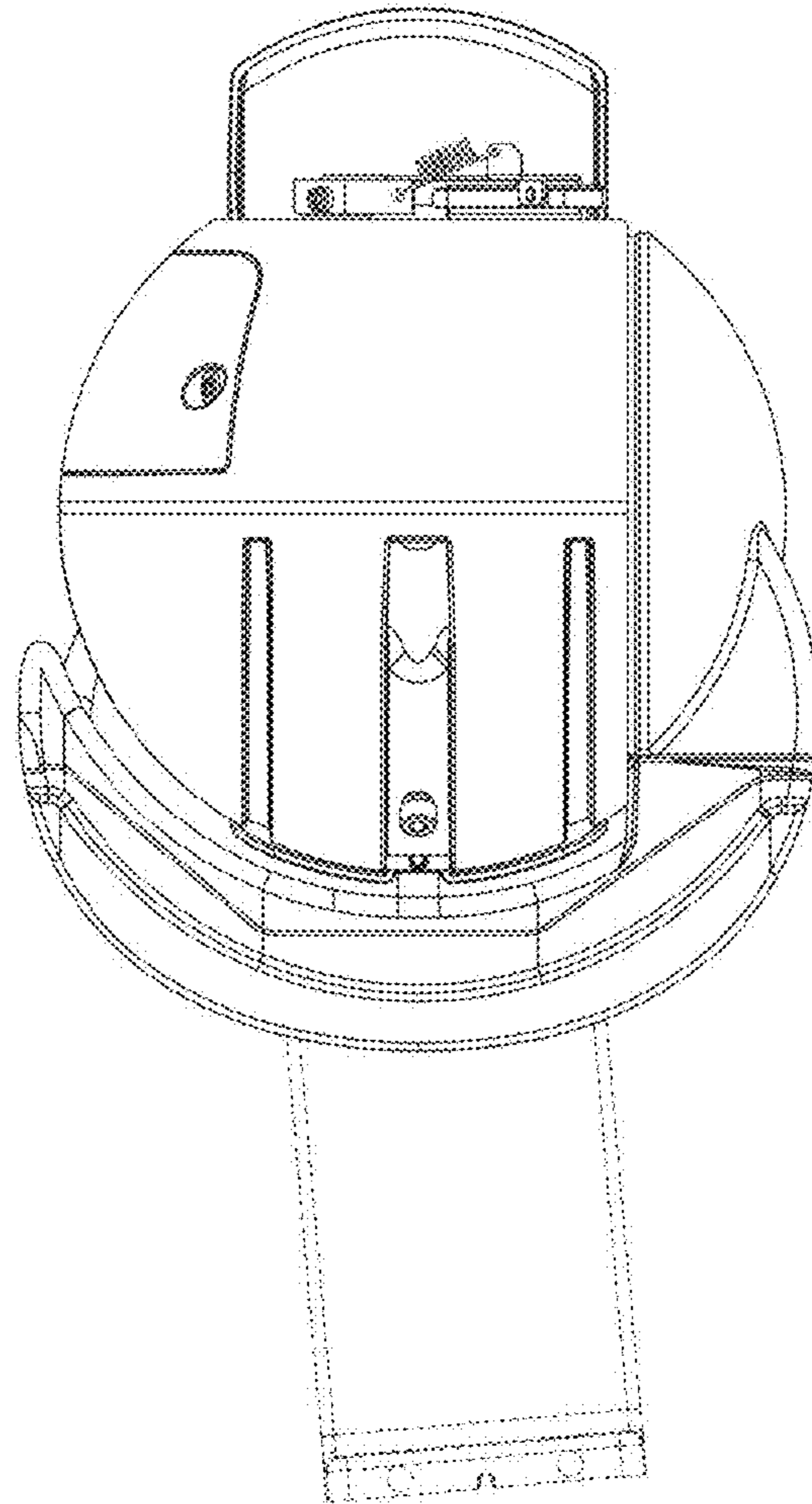


Fig. 3

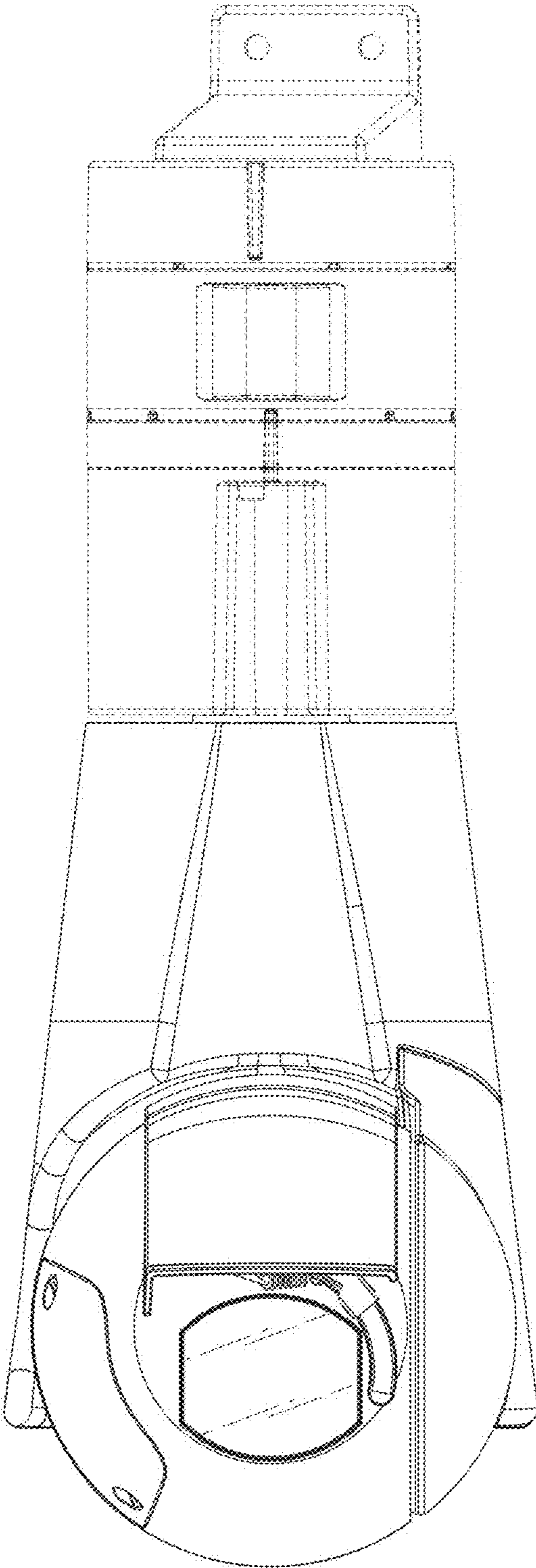


Fig. 4

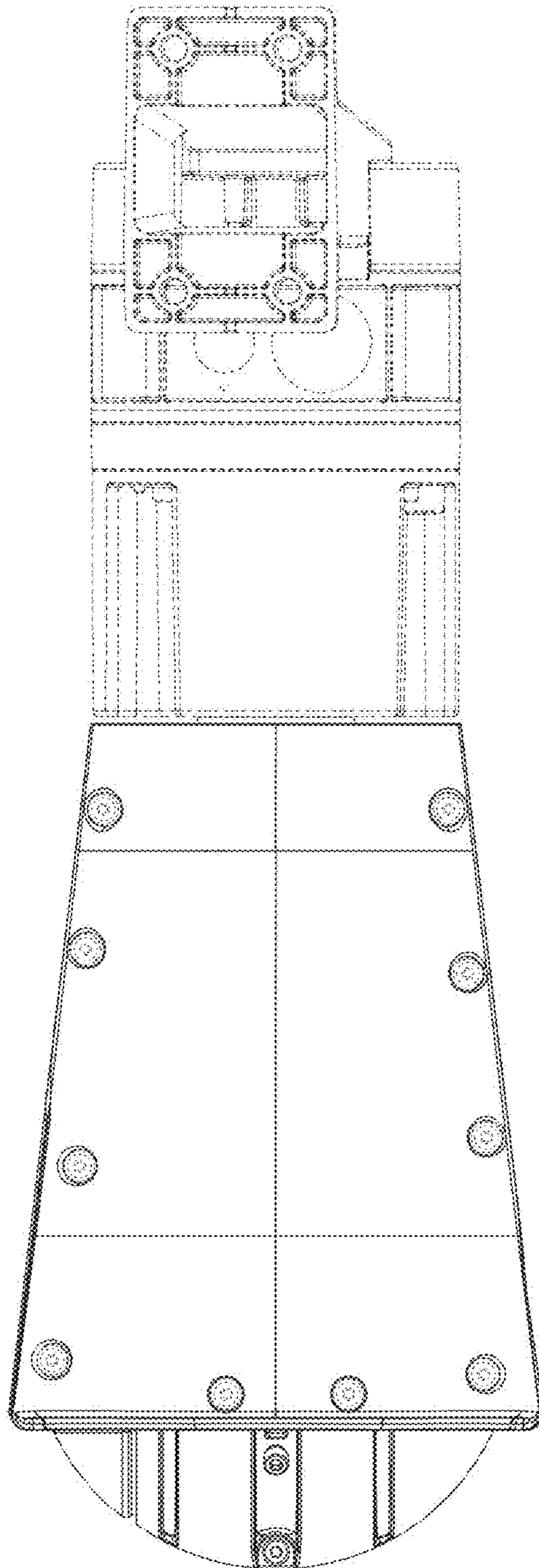


Fig. 5

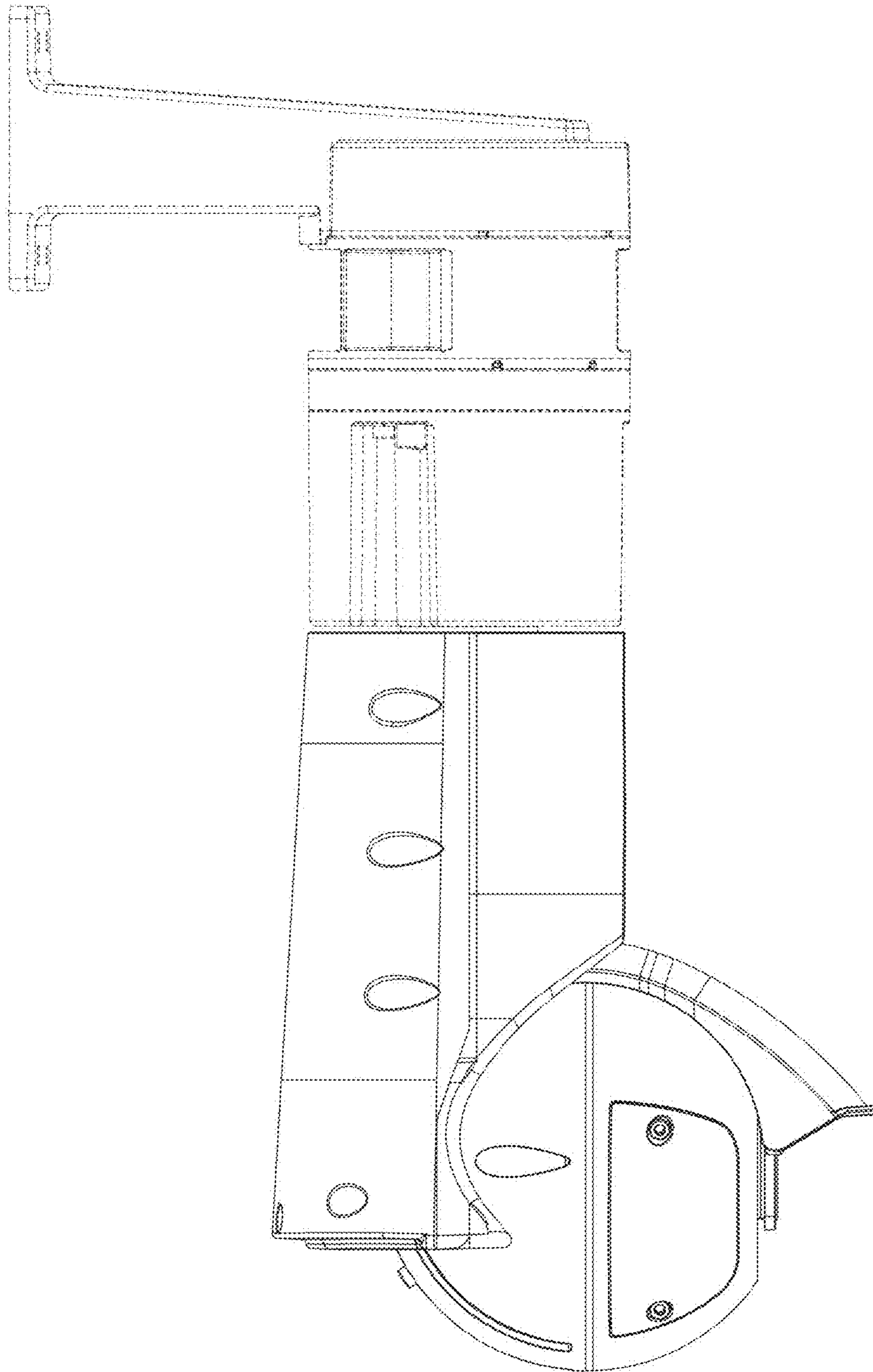


Fig. 6

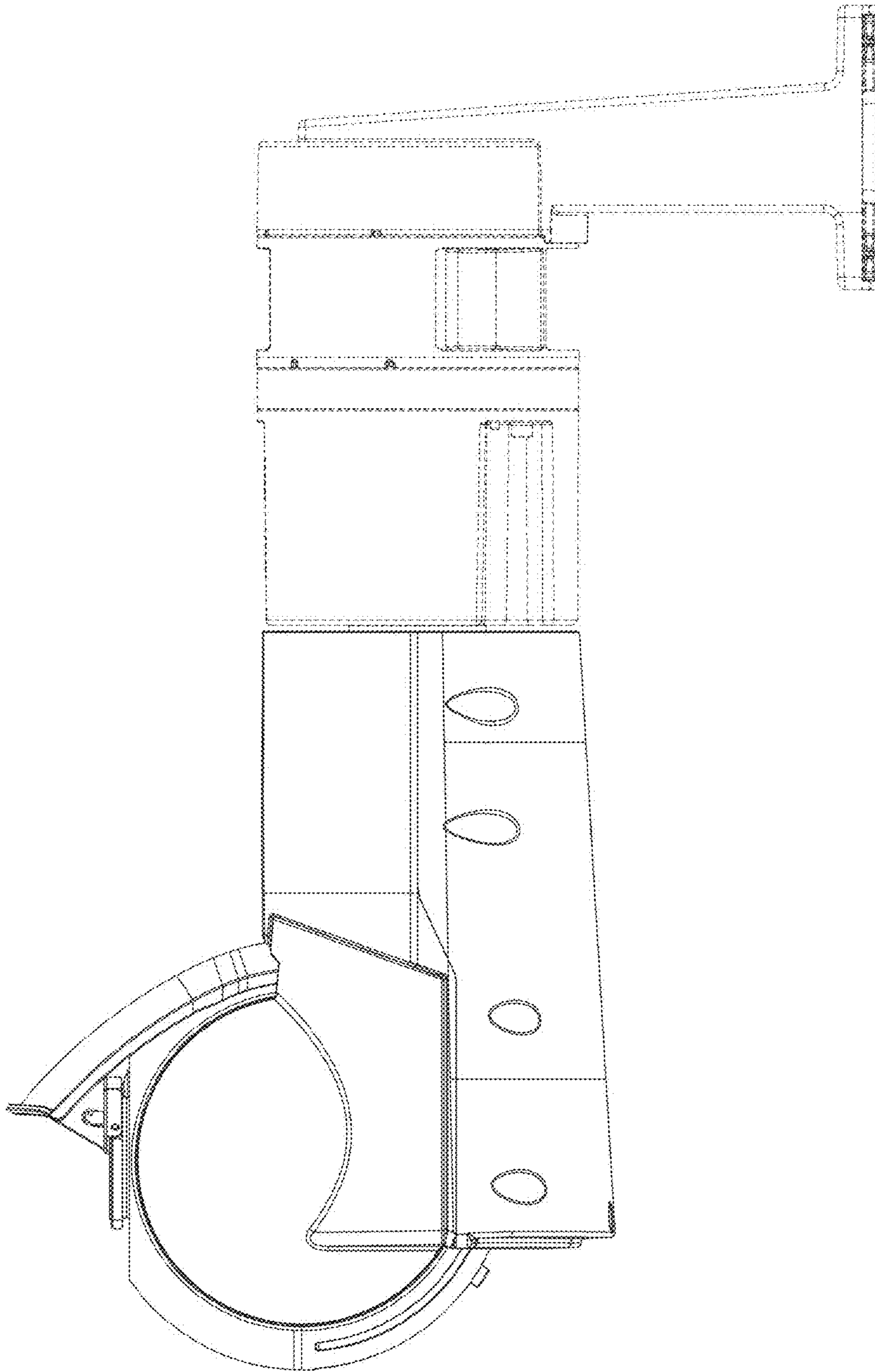


Fig. 7