



US00D902279S

(12) **United States Design Patent** (10) **Patent No.:** **US D902,279 S**
Grotto et al. (45) **Date of Patent:** **** Nov. 17, 2020**

(54) **VIDEO CAMERA**

(71) Applicant: **VIDEOTECH S.p.A.**, Schio (IT)

(72) Inventors: **Alessio Grotto**, Schio (IT); **Anna Dosso**, Schio (IT)

(73) Assignee: **VIDEOTECH S.p.A.**, Schio (IT)

(**) Term: **15 Years**

(21) Appl. No.: **29/669,974**

(22) Filed: **Nov. 13, 2018**

(30) **Foreign Application Priority Data**

Sep. 21, 2018 (EP) 005652948

(51) **LOC (12) Cl.** **16-01**

(52) **U.S. Cl.**
USPC **D16/203; D16/242**

(58) **Field of Classification Search**

USPC D16/200–220, 131, 132, 237, 242, 239,
D16/250, 235, 130, 134, 136, 238;
D14/417, 138 C, 240, 248, 203.1, 203.3,
D14/203.7, 218, 207, 440, 402, 454, 407,
D14/408; D10/104.1, 50, 65, 74, 70,
D10/118.2, 66; D18/43; D29/102, 122,
D29/103

CPC G03B 17/00; G03B 17/02; G03B 17/56;
G03B 17/04; G03B 17/14; G03B 17/08;
G03B 15/03; G03B 15/06; H04N
1/00981; H04N 5/2251; H04N 5/2252;
H04N 5/2253; H04N 5/2254; H04N
5/23238; H04N 7/00; H04N 13/239;
H04N 2101/00; F16M 13/00

See application file for complete search history.

(56) **References Cited**

U.S. PATENT DOCUMENTS

5,224,675 A * 7/1993 Ellenberger F16M 11/10
248/183.4

D438,227 S * 2/2001 Grotto D16/203

(Continued)

Primary Examiner — Dana K Weiland

Assistant Examiner — Mary Claire Ramirez

(74) *Attorney, Agent, or Firm* — Maier & Maier, PLLC

(57) **CLAIM**

The ornamental design for a video camera, as shown and described.

DESCRIPTION

FIG. 1 is a perspective view of a video camera, showing our design;

FIG. 2 is a top view thereof;

FIG. 3 is a bottom view thereof;

FIG. 4 is a front view thereof;

FIG. 5 is a back view thereof;

FIG. 6 is a left side view thereof; and

FIG. 7 is a right side view thereof;

FIG. 8 is a perspective view of a second embodiment of the video camera, showing our design;

FIG. 9 is a top view thereof;

FIG. 10 is a bottom view thereof;

FIG. 11 is a front view thereof;

FIG. 12 is a back view thereof;

FIG. 13 is a left side view thereof; and

FIG. 14 is a right side view thereof;

FIG. 15 is a perspective view of a third embodiment of the video camera, showing our design;

FIG. 16 is a top view thereof;

FIG. 17 is a bottom view thereof;

FIG. 18 is a front view thereof;

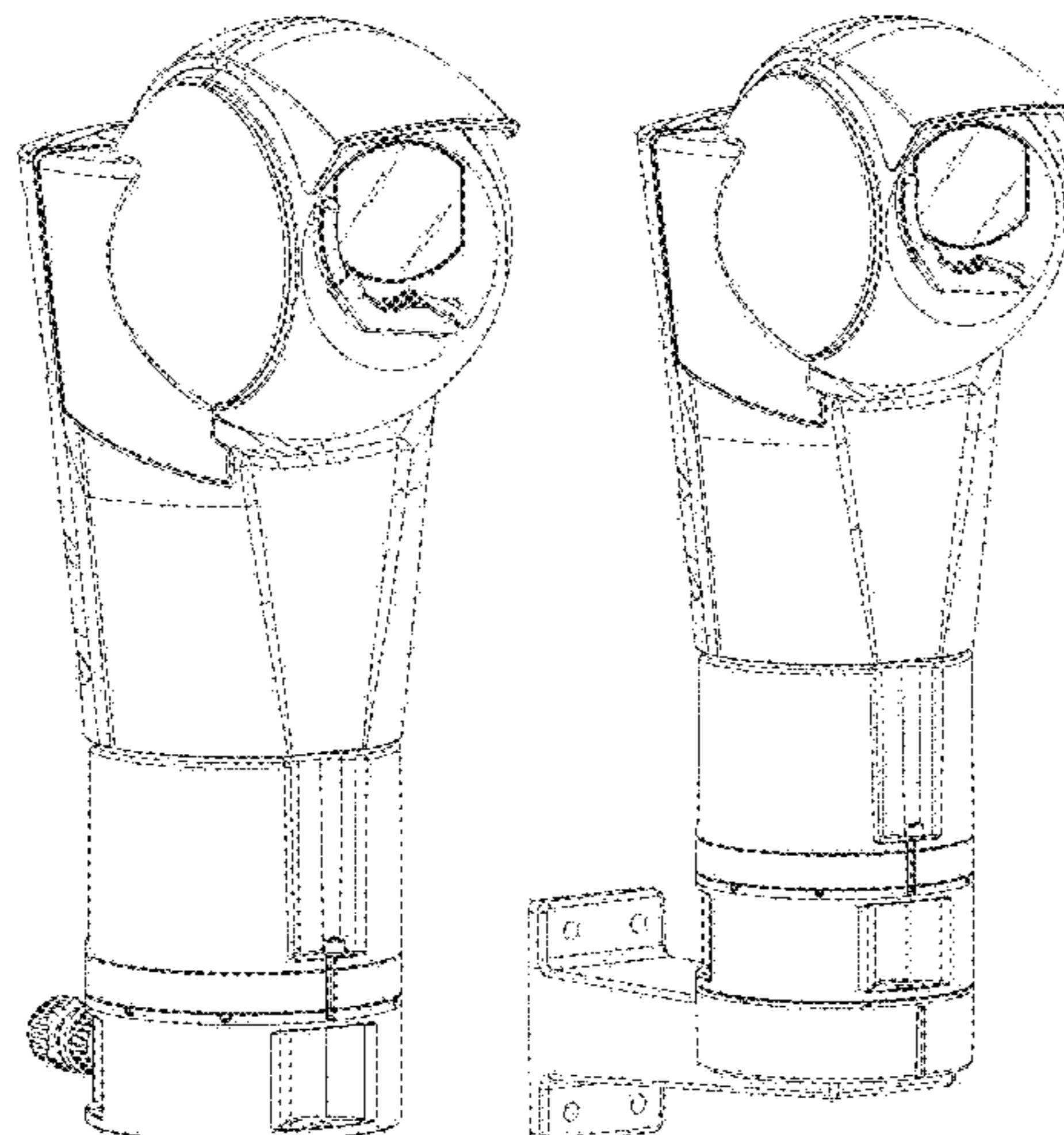
FIG. 19 is a back view thereof;

FIG. 20 is a left side view thereof; and,

FIG. 21 is a right side view thereof.

The broken lines shown in the Figures illustrate portions of the video camera that form no part of the claimed design.

1 Claim, 21 Drawing Sheets



(56)

References Cited

U.S. PATENT DOCUMENTS

7,163,181	B2 *	1/2007	Omps	F16C 11/0619 248/181.1
D553,662	S *	10/2007	Grotto	D16/242
D554,170	S *	10/2007	Grotto	D16/203
D576,651	S *	9/2008	Willis	D16/203
D576,652	S *	9/2008	Willis	D16/203
D576,653	S *	9/2008	Malthouse	D16/203
D594,739	S *	6/2009	Lee	D8/363
D649,175	S *	11/2011	Willis	D16/242
D663,972	S *	7/2012	Alexander	D6/682
D696,674	S *	12/2013	Vogel	D14/447
8,602,376	B2 *	12/2013	Vogel	F16M 11/14 248/371
D716,863	S *	11/2014	Zutell	D16/203
9,080,720	B2 *	7/2015	Kahn	F16M 11/10
D791,286	S *	7/2017	Downey	D23/257
D798,932	S *	10/2017	Katori	D16/203
D803,840	S *	11/2017	Burmester	D14/447
D806,157	S *	12/2017	Marszalek, III	D16/219
D818,518	S *	5/2018	Ahman	D16/242
D831,667	S *	10/2018	Burmester	D14/447
D832,273	S *	10/2018	Burmester	D14/447
D848,503	S *	5/2019	Ahman	D16/203
D851,157	S *	6/2019	Garlock	D16/219
D851,158	S *	6/2019	Garlock	D16/219
10,353,274	B2 *	7/2019	Song	G08B 13/1963
D857,777	S *	8/2019	Rosenkvist	D16/203
D870,187	S *	12/2019	Joulani	D16/242
2015/0139635	A1 *	5/2015	Lellky	G03B 17/561 396/427
2017/0230580	A1 *	8/2017	Ohara	H04N 5/23296
2018/0106746	A1 *	4/2018	Dannan	G01N 27/223

* cited by examiner

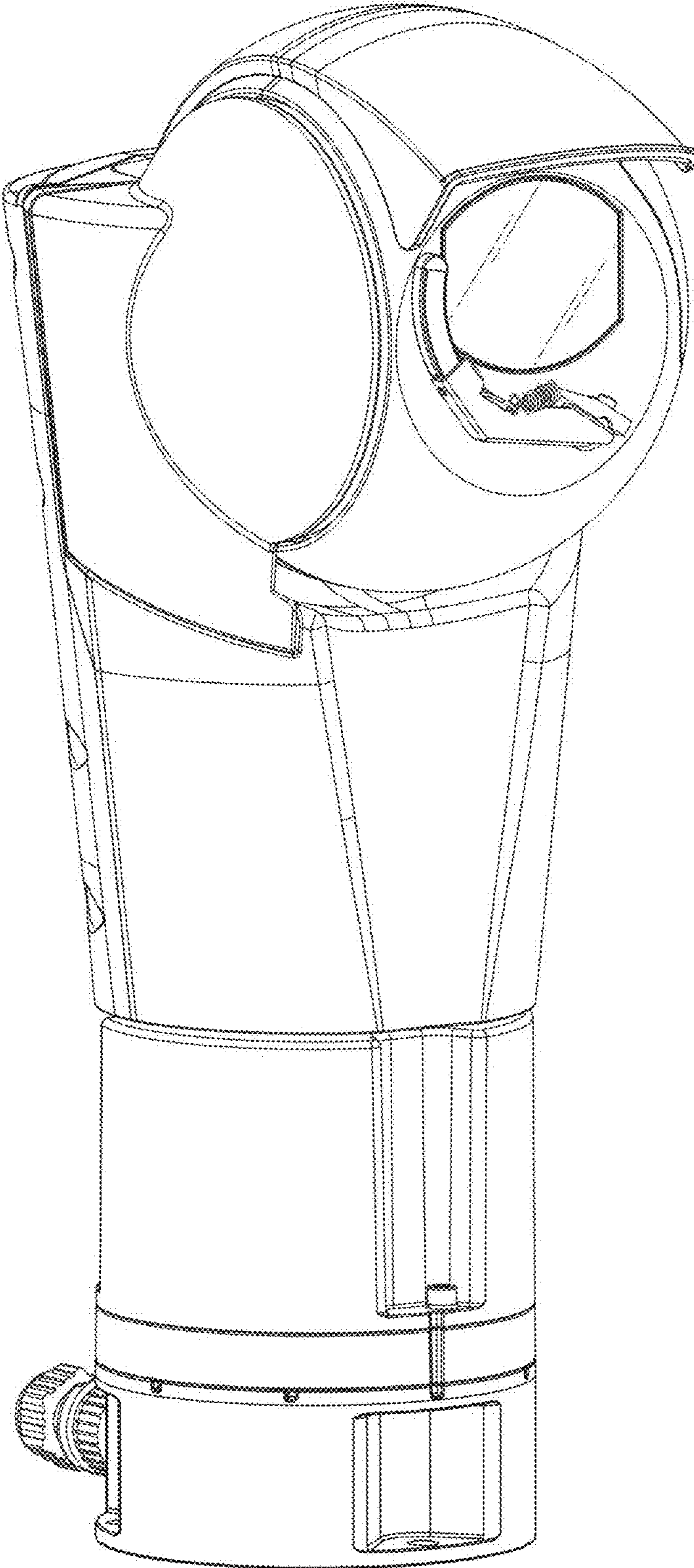


Fig. 1

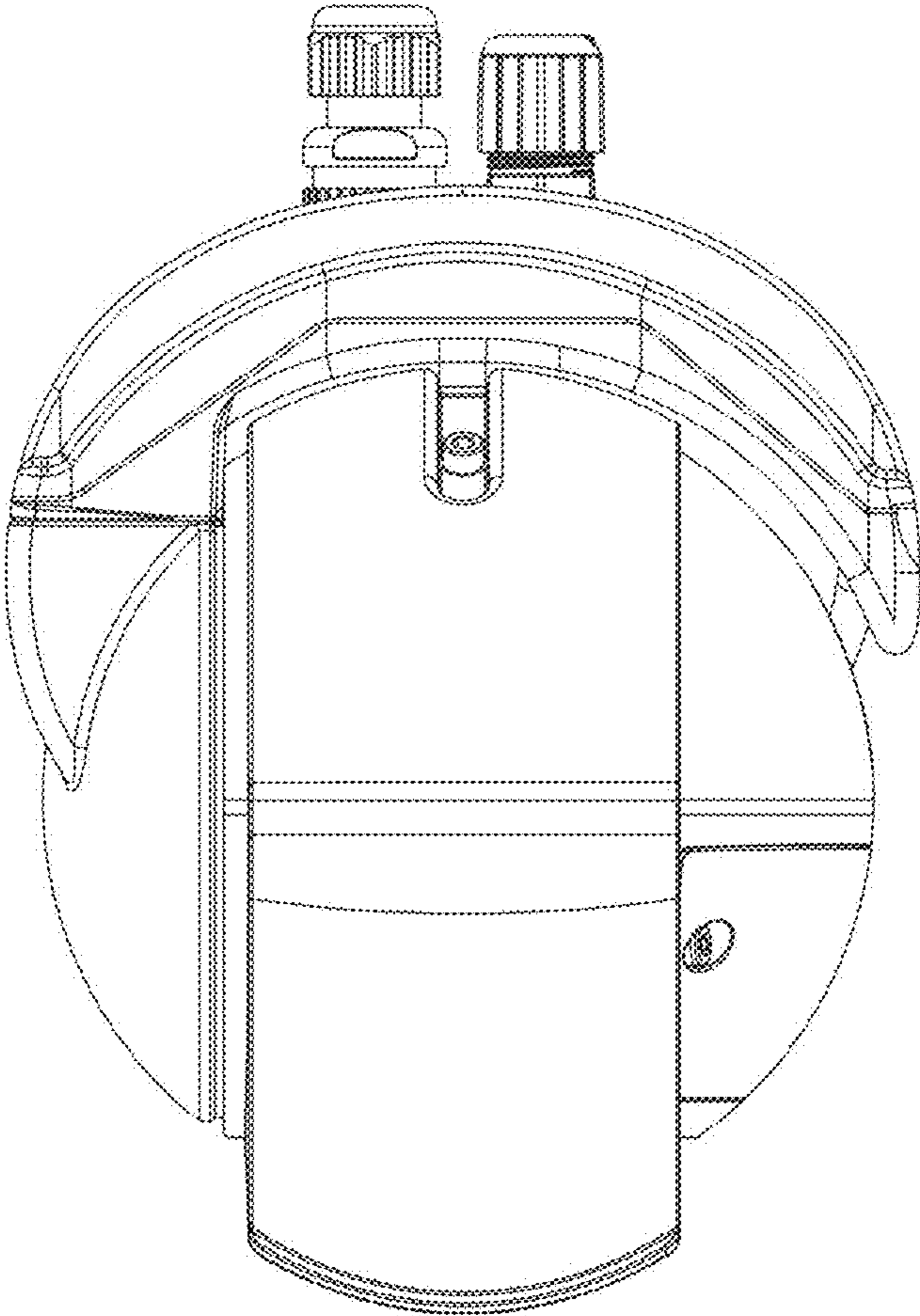


Fig. 2

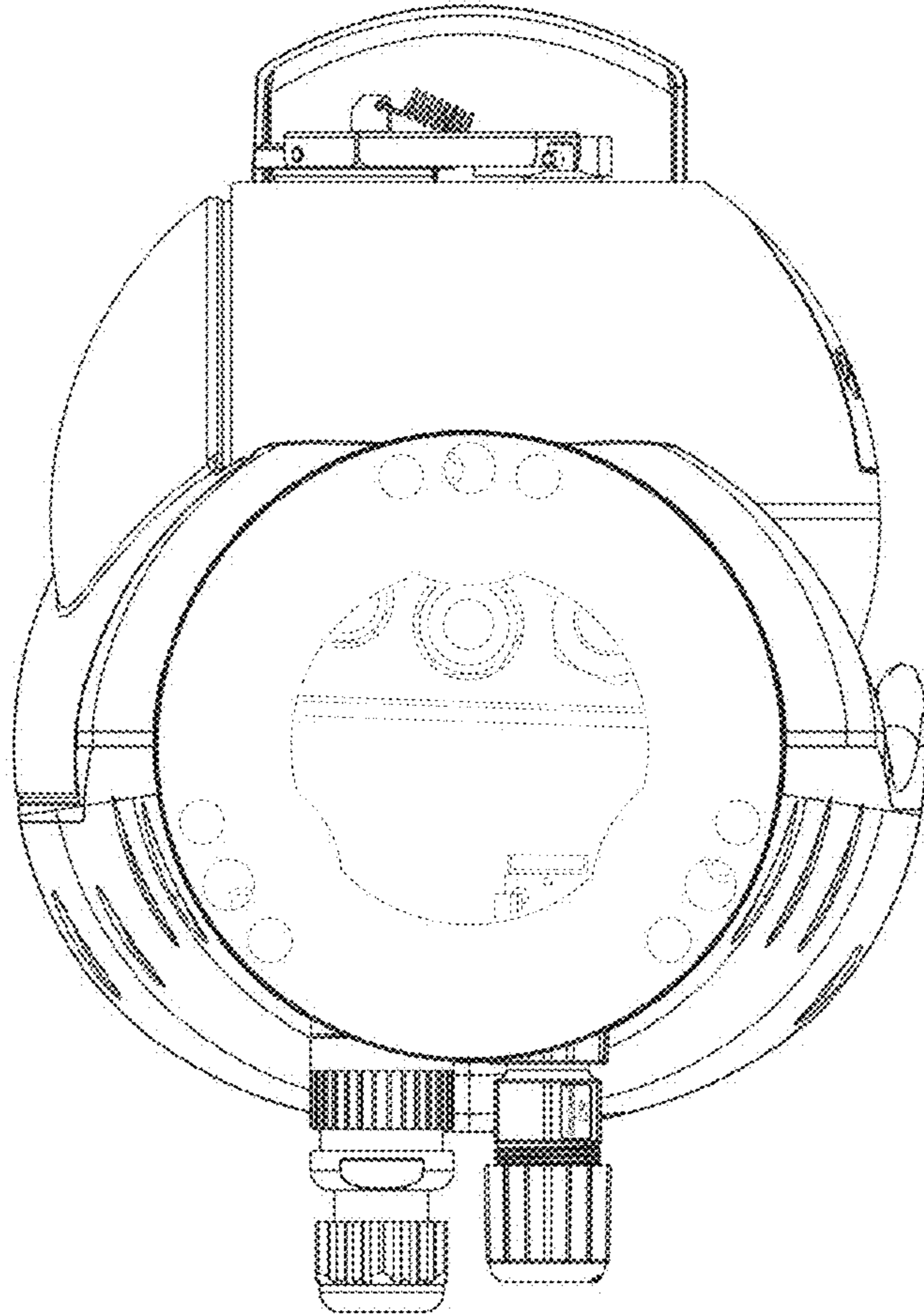


Fig. 3

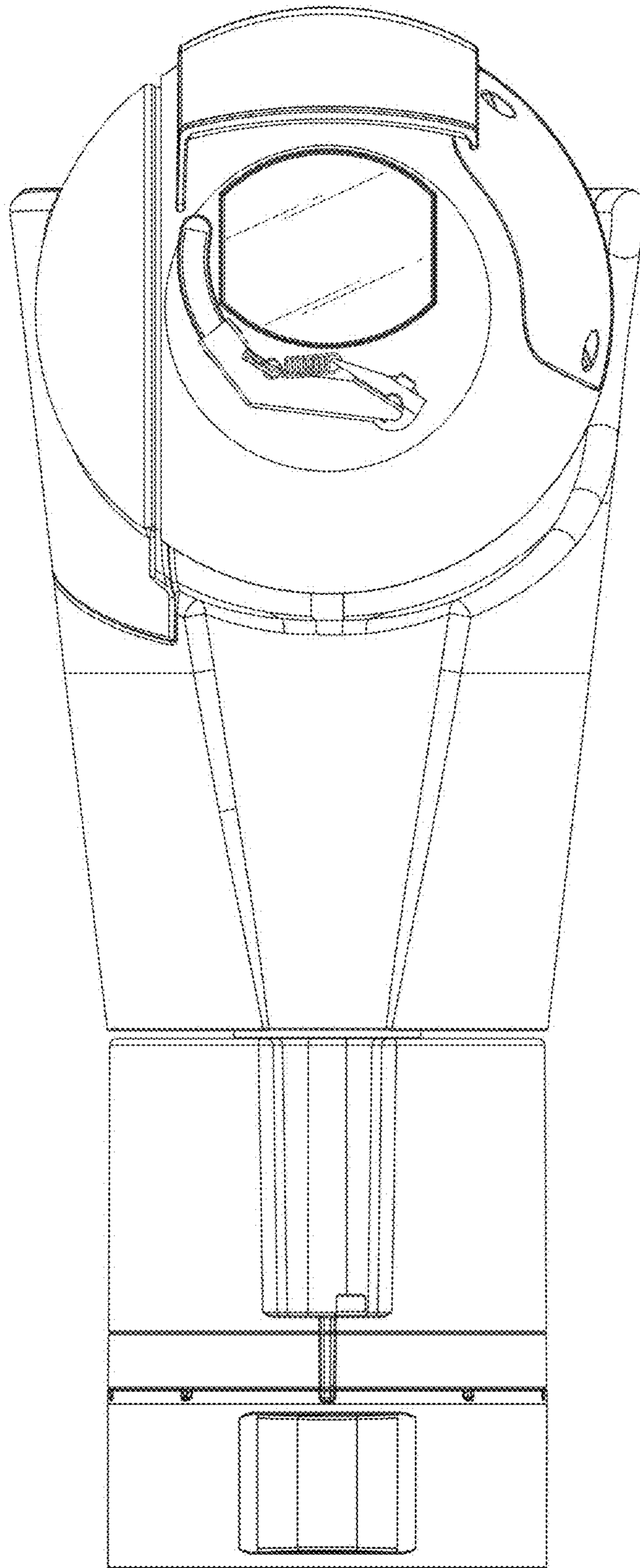


Fig. 4

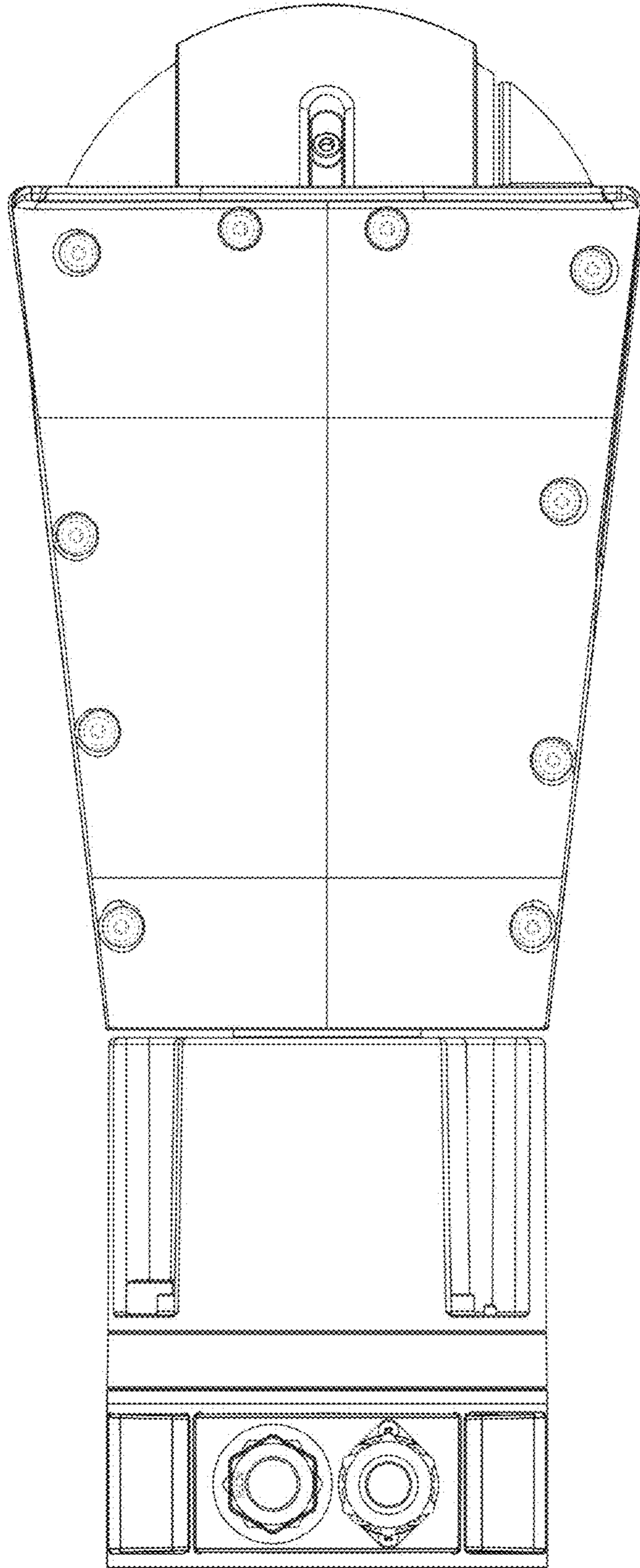


Fig. 5

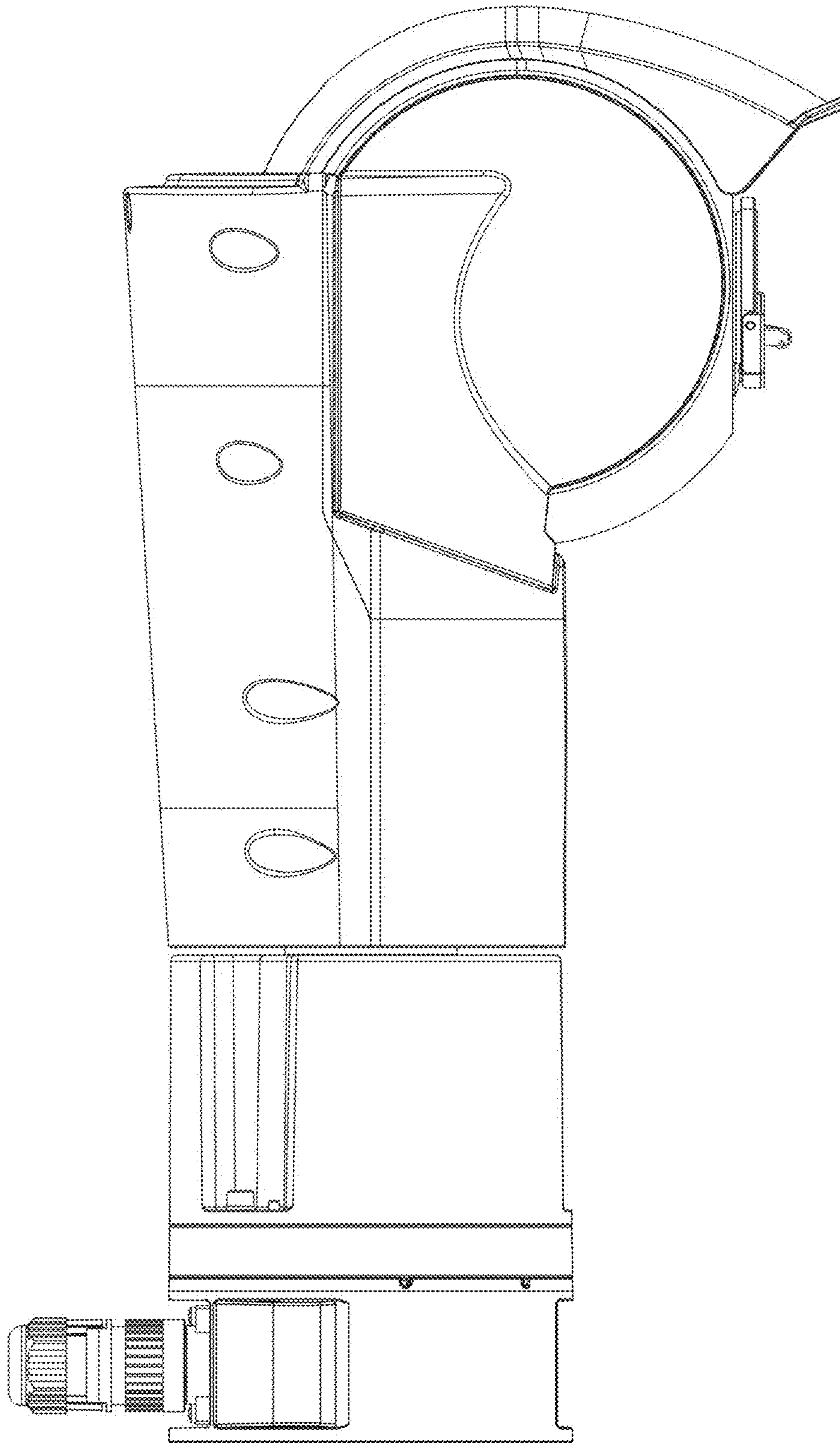


Fig. 6

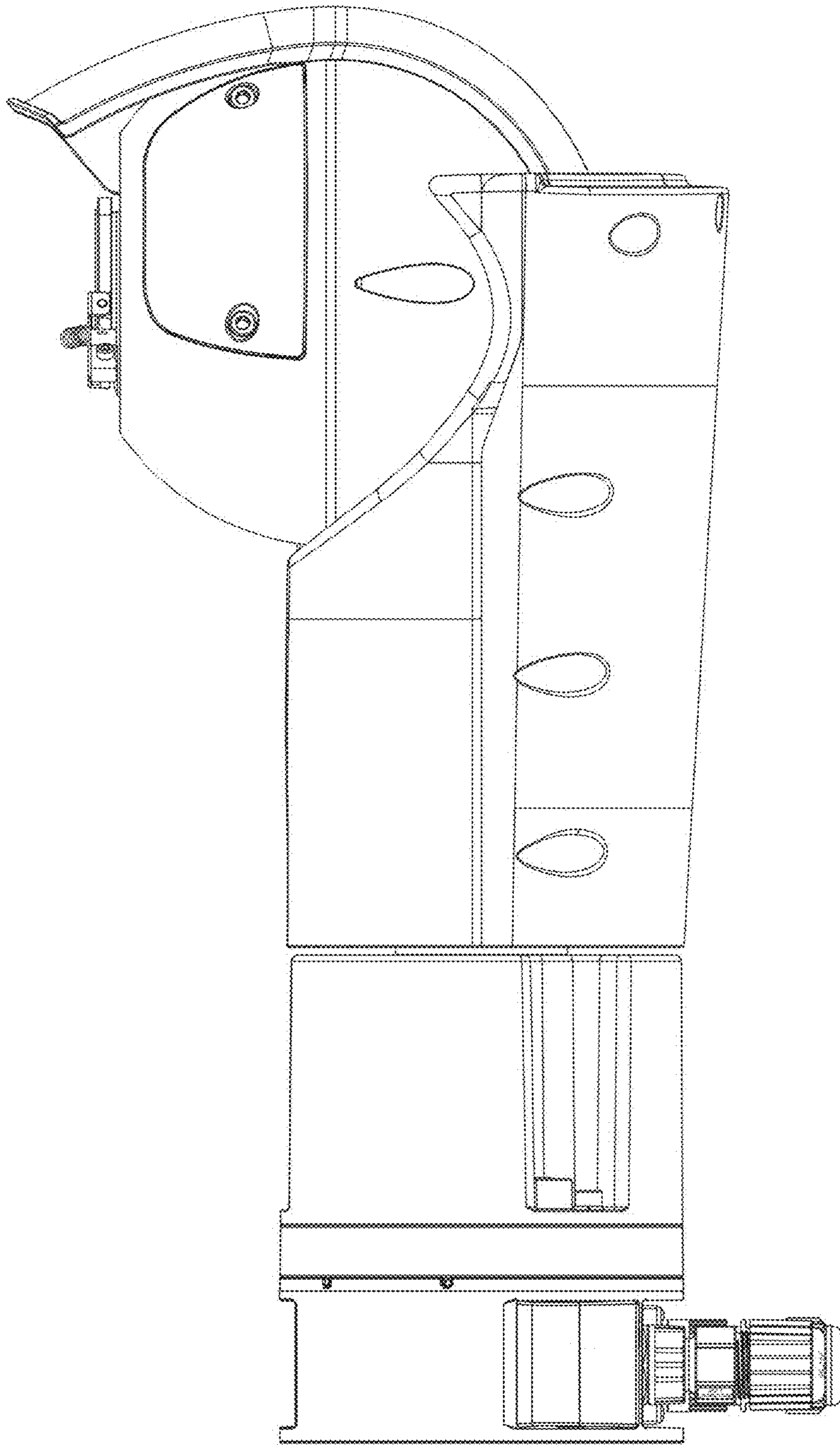


Fig. 7

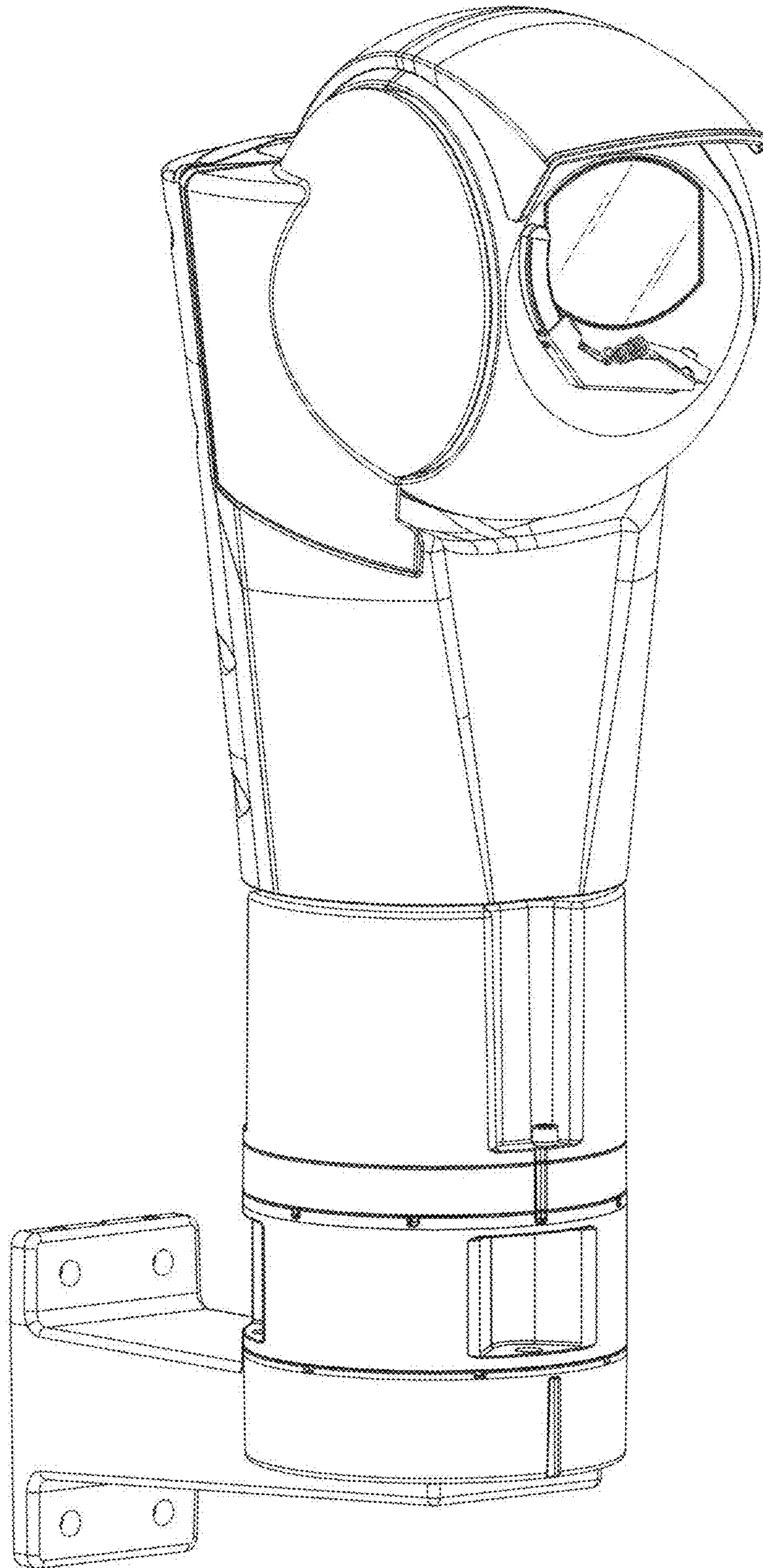


Fig. 8

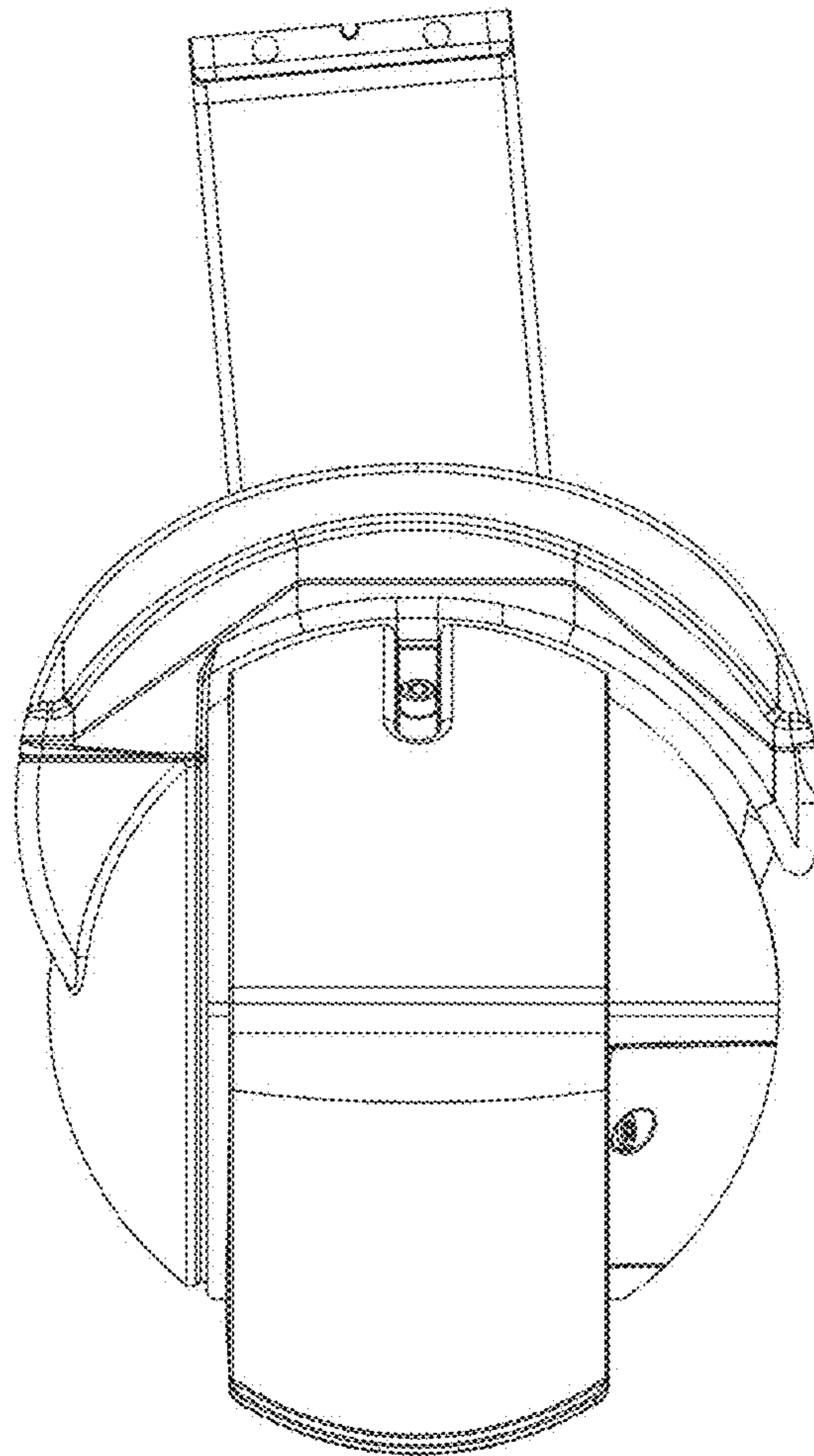


Fig. 9

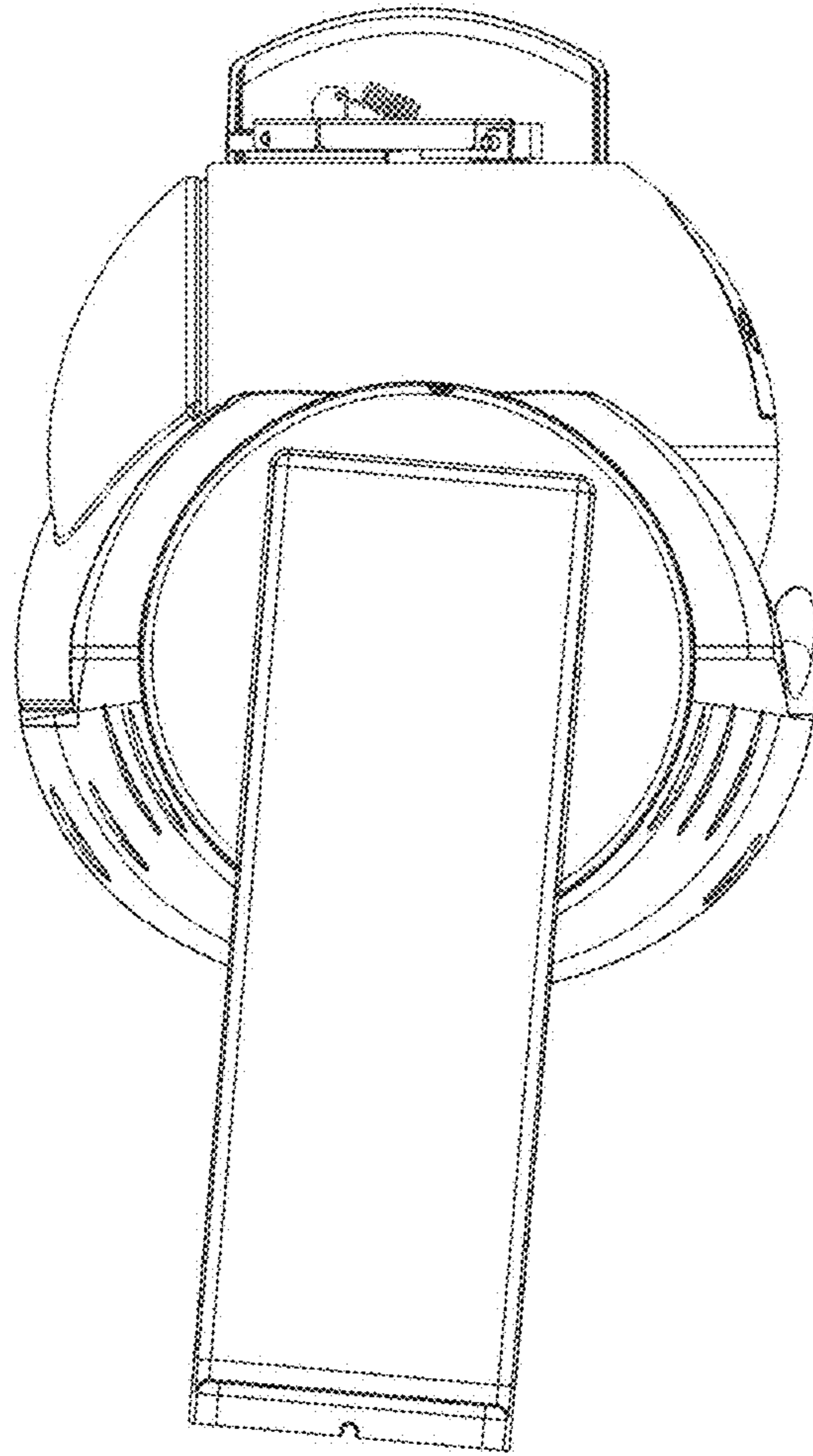


Fig. 10

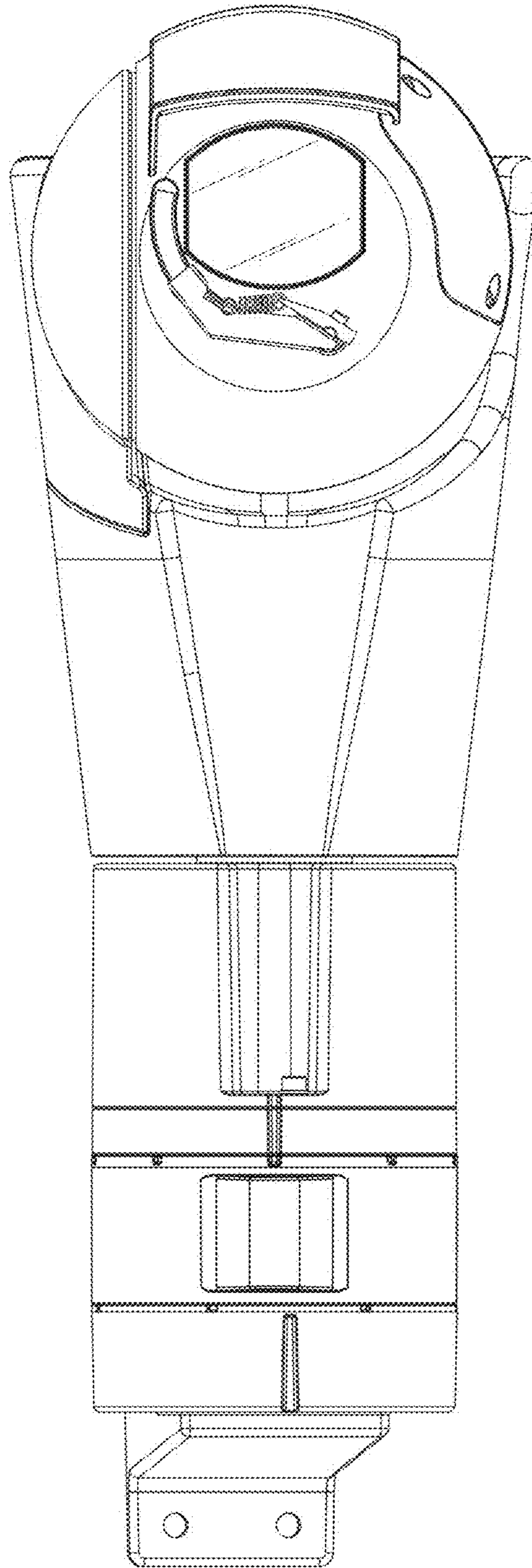


Fig. 11

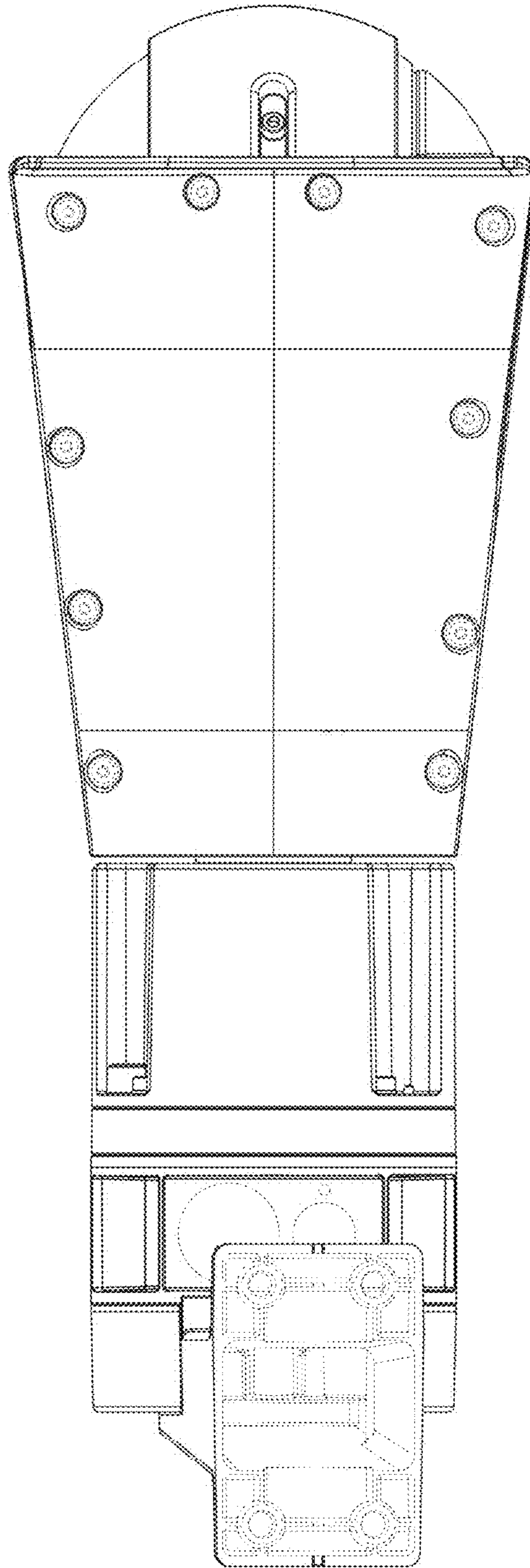


Fig. 12

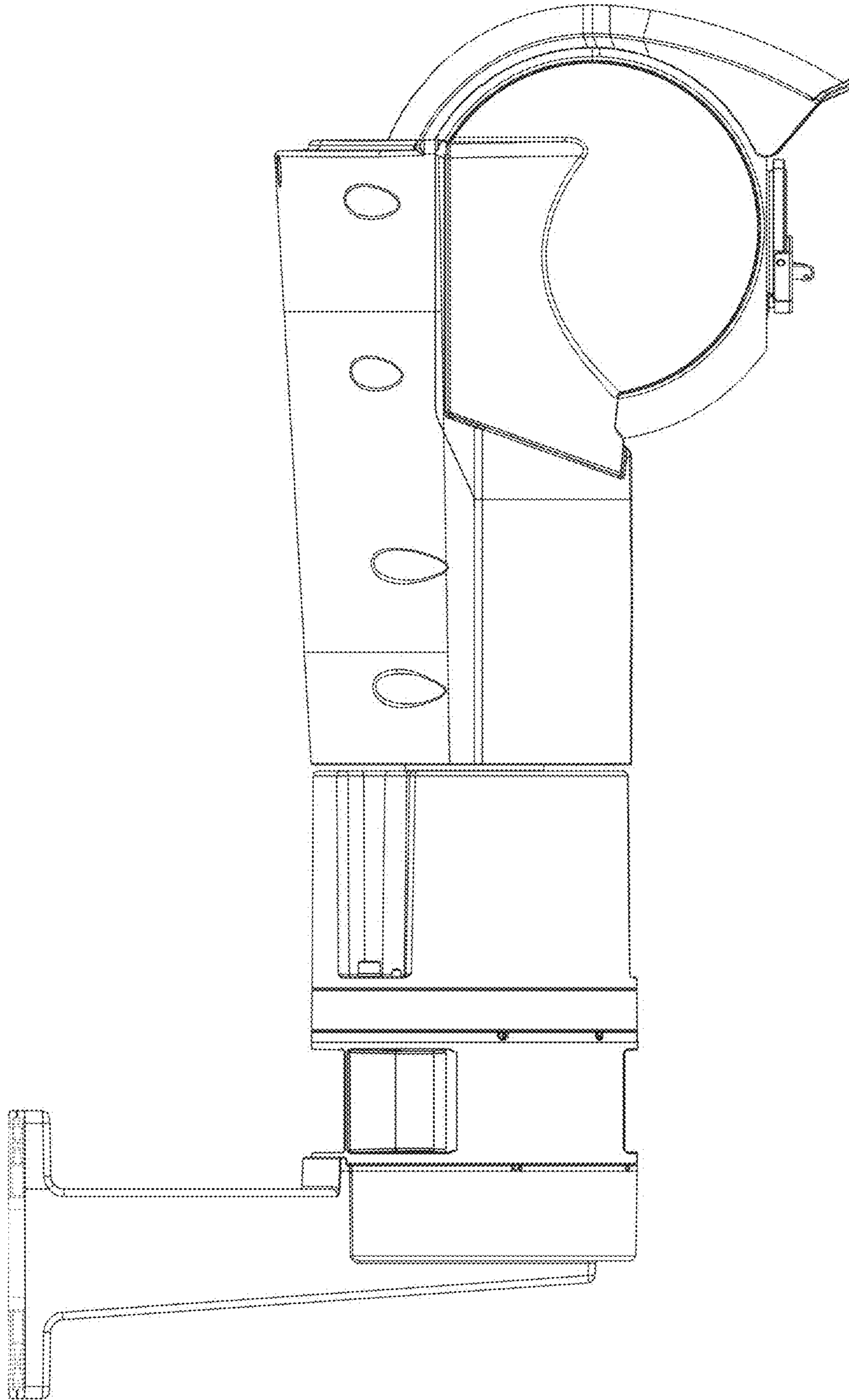


Fig. 13

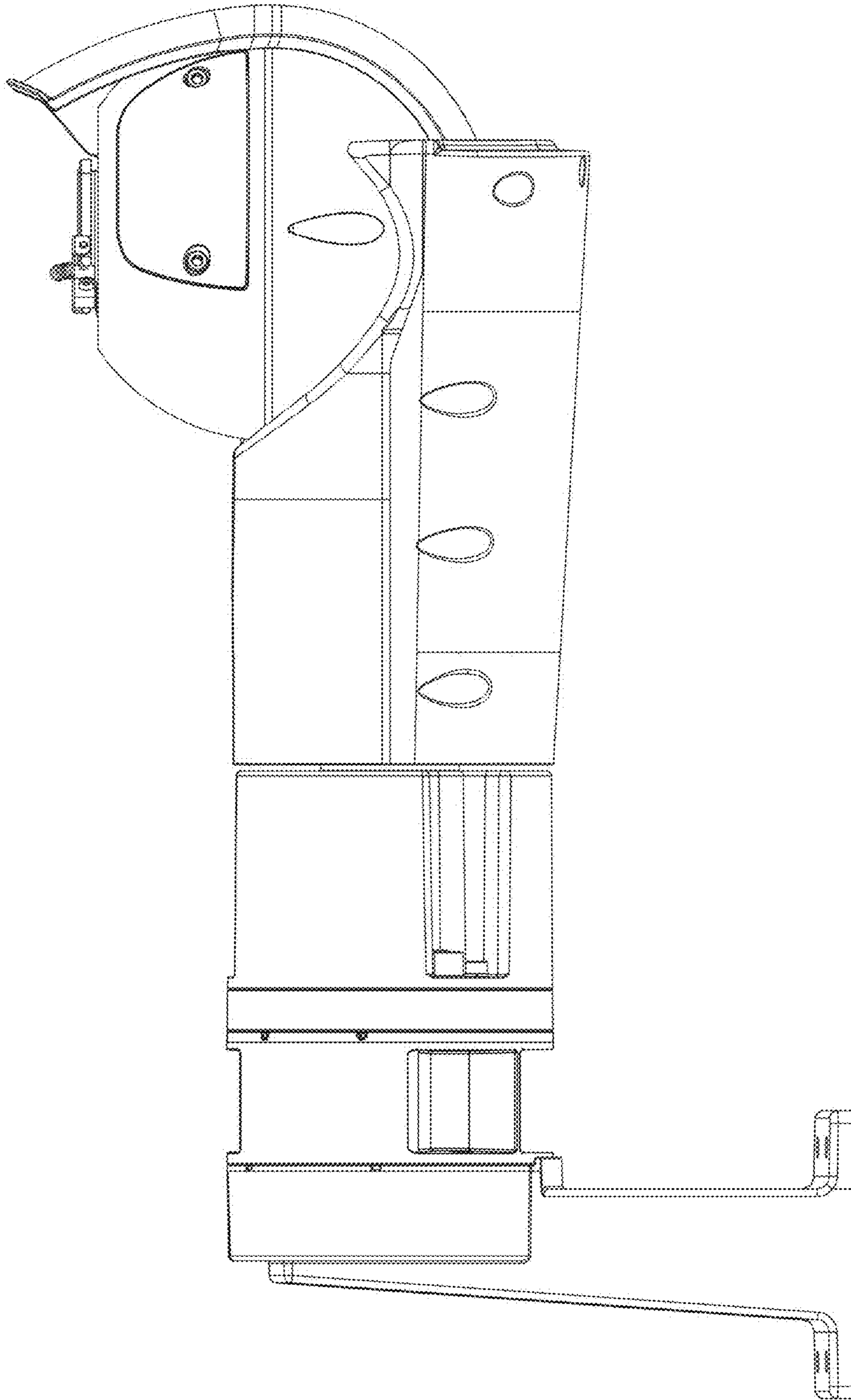


Fig. 14

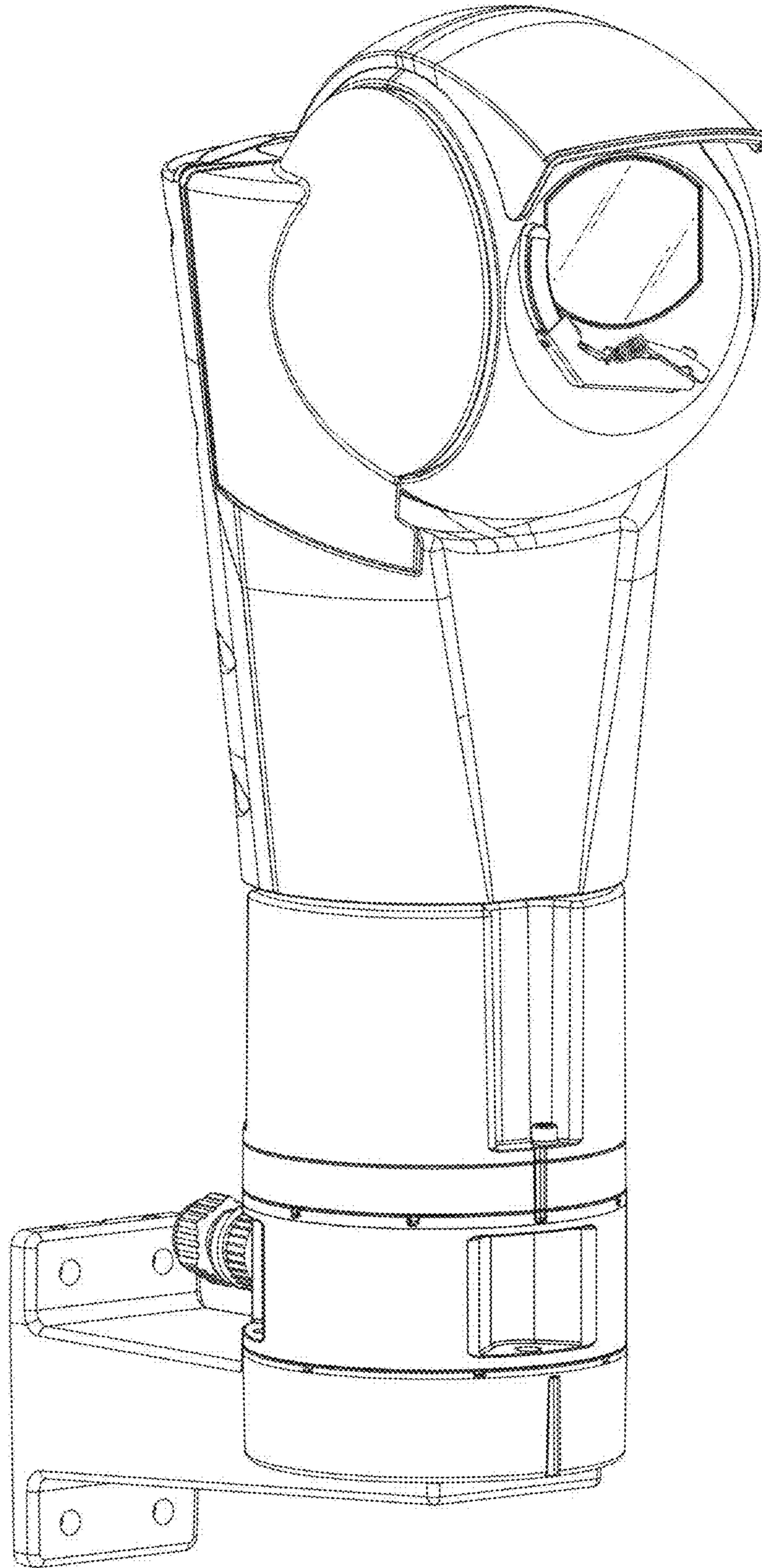


Fig. 15

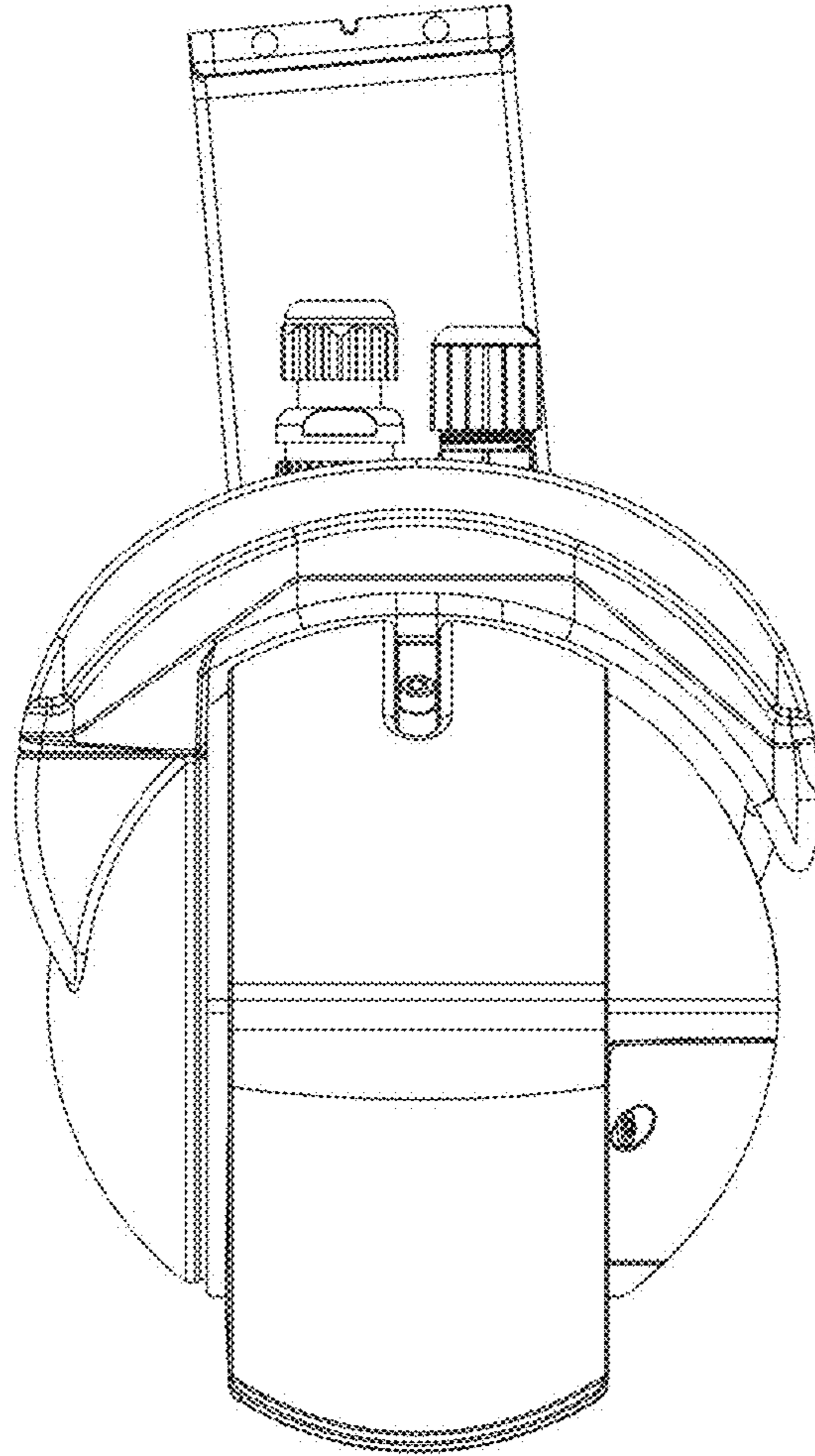


Fig. 16

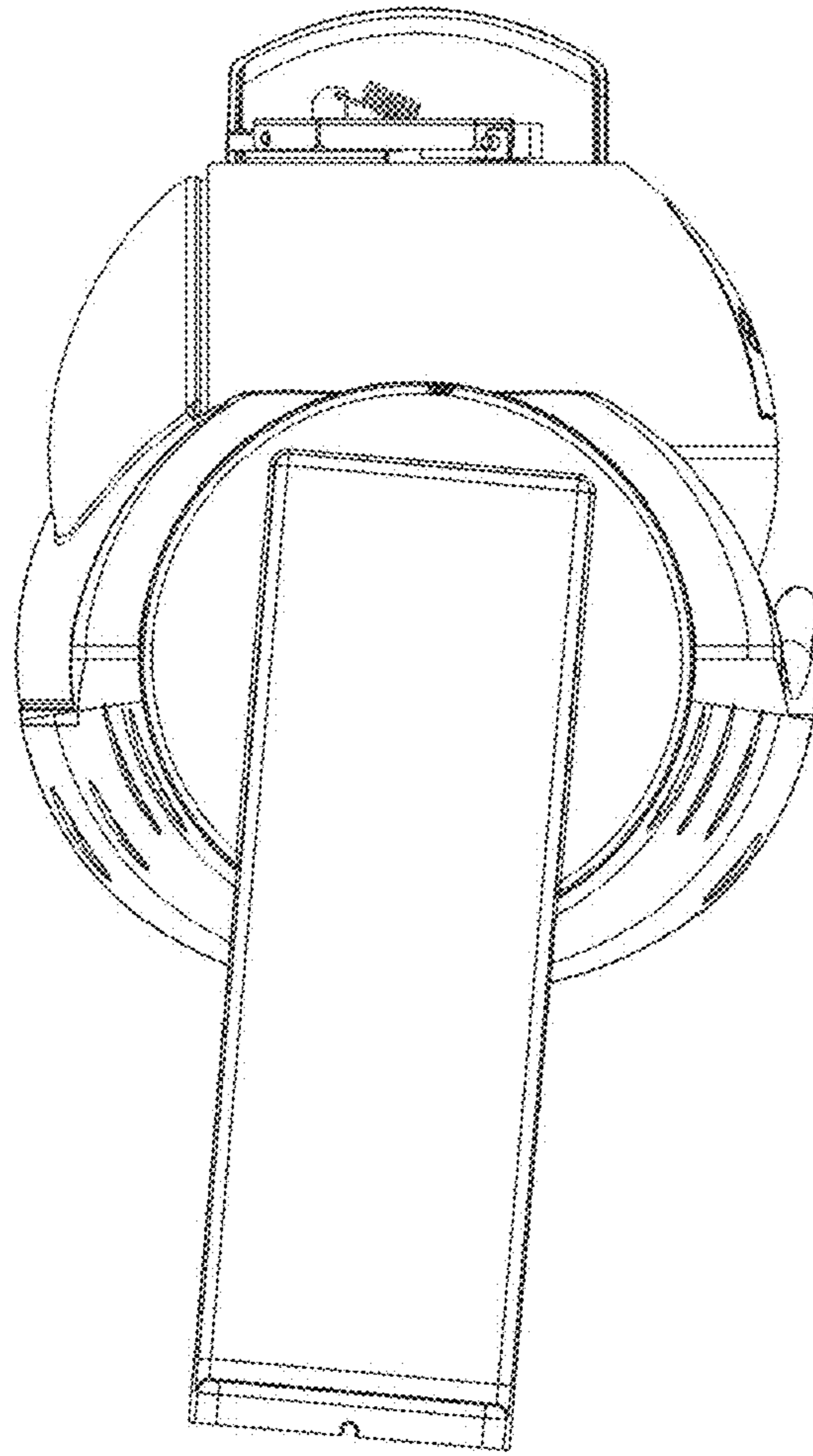


Fig. 17

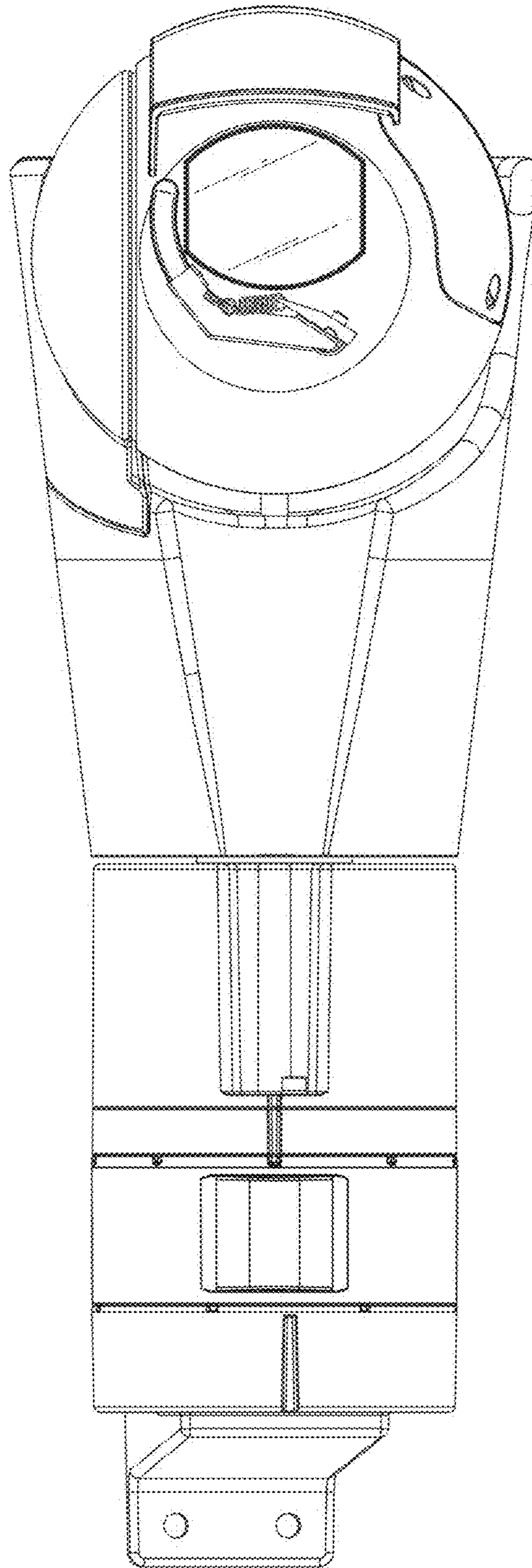


Fig. 18

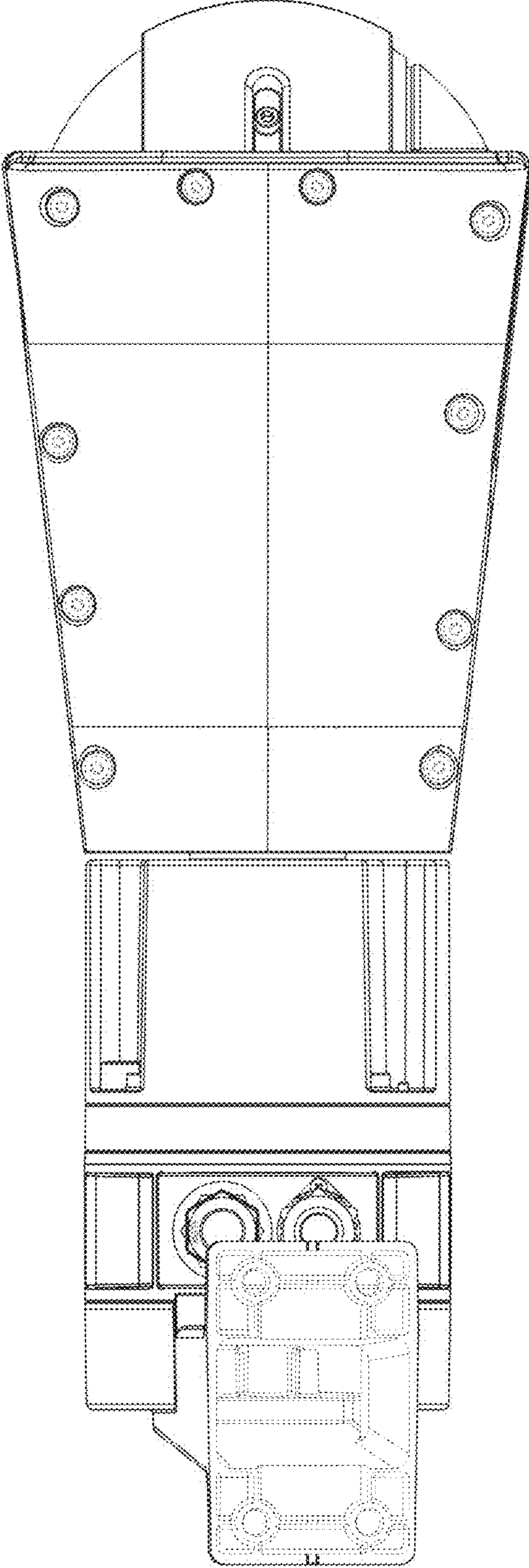


Fig. 19

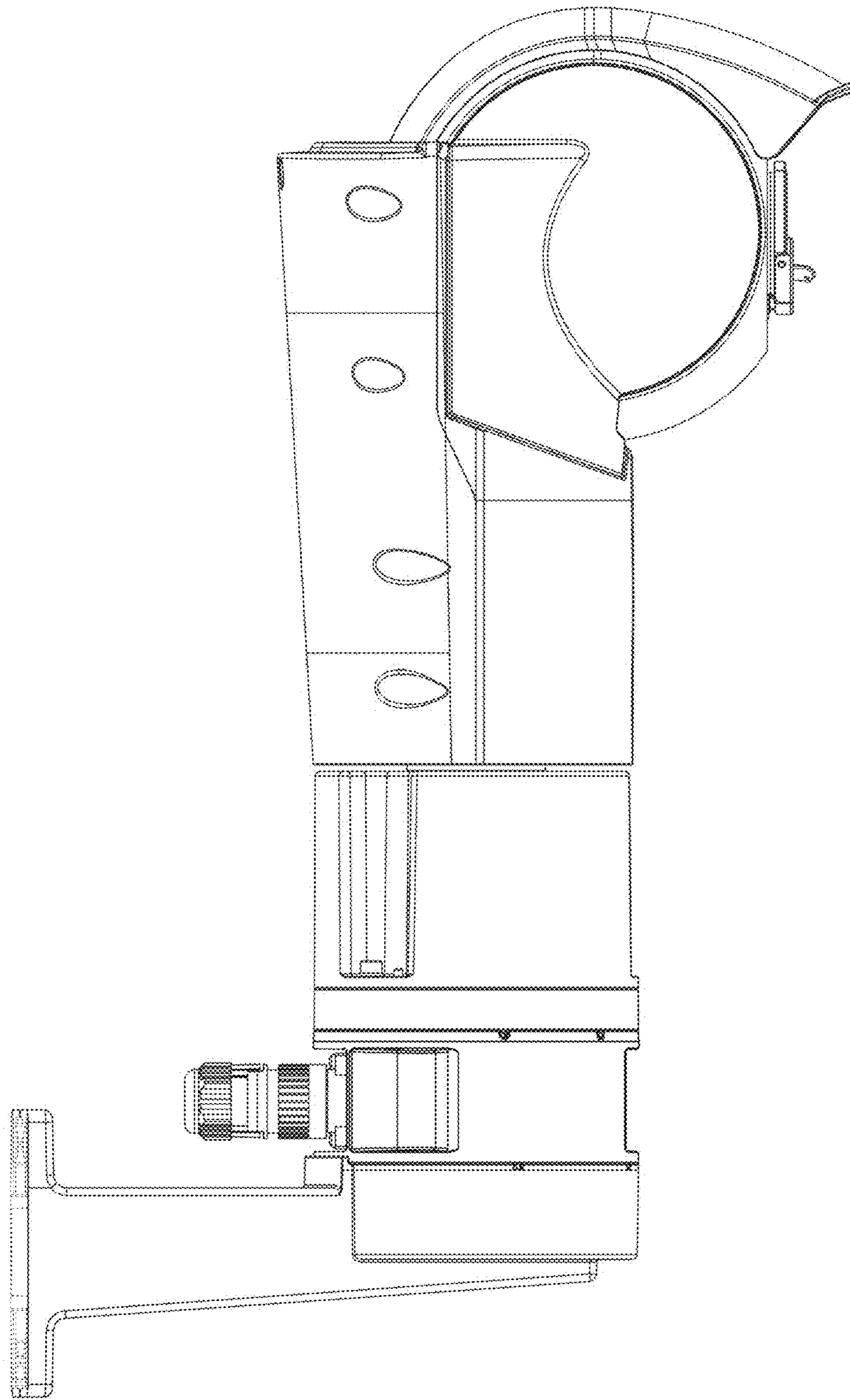


Fig. 20

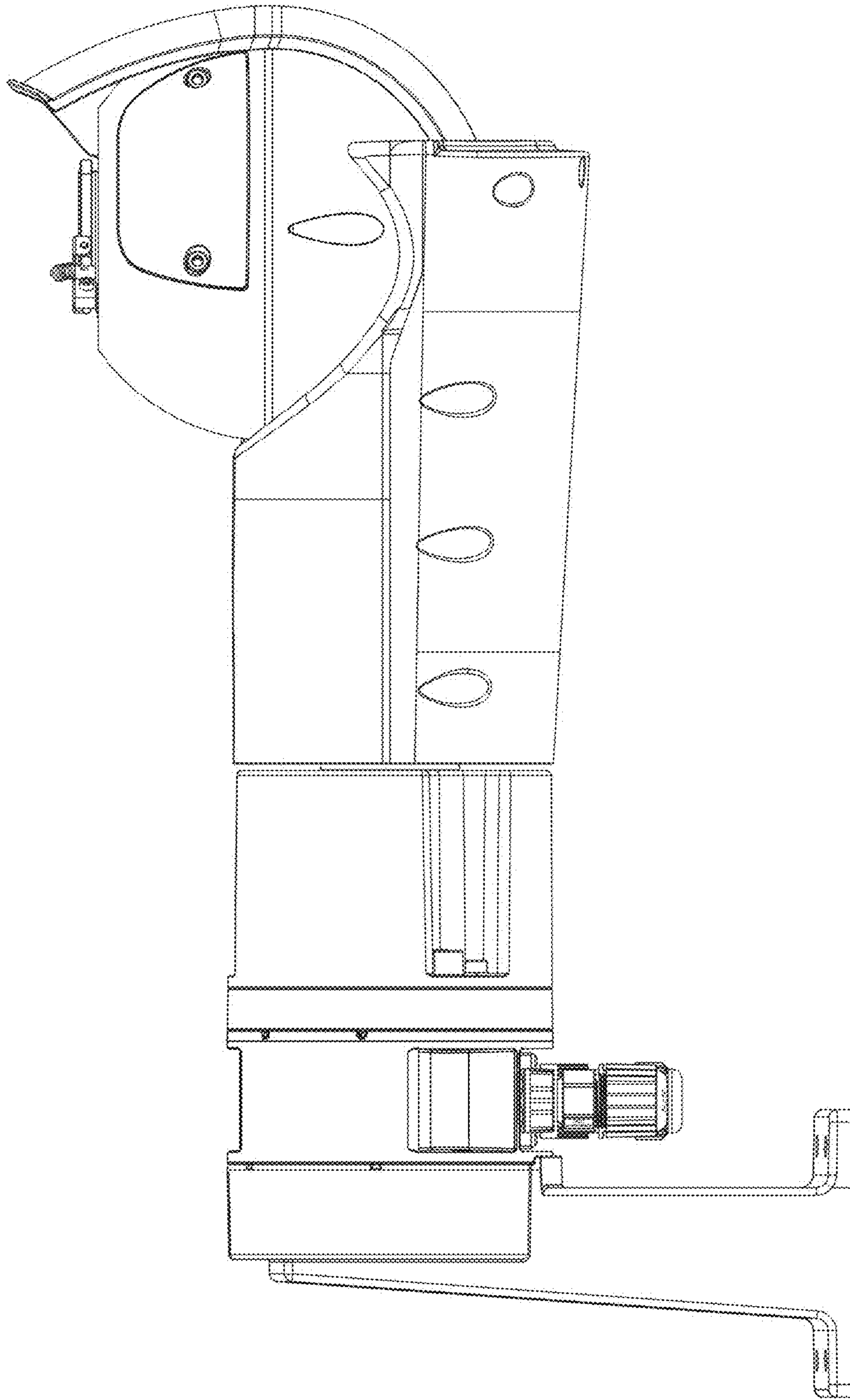


Fig. 21