



US00D902278S

(12) **United States Design Patent**
Barman et al.

(10) **Patent No.:** **US D902,278 S**

(45) **Date of Patent:** **** Nov. 17, 2020**

(54) **MACHINE VISION CAMERA**
(71) Applicant: **LUCID VISION LABS, INC.**,
Richmond (CA)
(72) Inventors: **Roderick Arthur Barman**, Vancouver
(CA); **Masahiro Takada**, Delta (CA);
Jeffrey Bull, New Westminster (CA);
Vladislav Goldenberg, Coquitlam (CA)

D565,073 S * 3/2008 Jeon D16/203
D612,408 S * 3/2010 Yamakawa D16/203
D612,410 S * 3/2010 Deurwaarder D16/203
D613,784 S * 4/2010 Wang D16/203
D629,826 S * 12/2010 Funakoshi D16/220
D647,934 S * 11/2011 Raken D16/202
D686,267 S * 7/2013 Mihara D16/202
D739,888 S * 9/2015 Liang D16/203
D789,999 S * 6/2017 Yakabe D16/200
D834,085 S * 11/2018 Lu D16/203
2013/0107110 A1 * 5/2013 Park H04N 5/2252
348/373

(73) Assignee: **Lucid Vision Labs, Inc.**, Richmond
(CA)

* cited by examiner

(**) Term: **15 Years**

Primary Examiner — Ramzi S Almatrahi

(21) Appl. No.: **29/647,776**

(74) *Attorney, Agent, or Firm* — Nicholas Toth; Nexus
Law Group LLP

(22) Filed: **May 15, 2018**

(30) **Foreign Application Priority Data**

Nov. 17, 2017 (CA) 178155

(51) **LOC (12) Cl.** **16-01**

(52) **U.S. Cl.**
USPC **D16/202**

(58) **Field of Classification Search**
USPC D16/200, 202–208, 218, 219, 242;
348/143, 148, 151, 373–376; 396/419,
396/427, 535, 539–541; 248/176.1, 187.1
CPC G03B 17/02; G03B 19/04; G03B 17/56;
G03B 17/04; G03B 15/03; H04N 5/2251;
H04N 5/2252; H04N 5/2253; H04N
5/2254; H04N 7/181; H04N 7/183; H04N
7/18

See application file for complete search history.

(56) **References Cited**

U.S. PATENT DOCUMENTS

7,221,402 B2 * 5/2007 Cheng H04N 5/2254
348/375
D563,450 S * 3/2008 Cheng D16/200

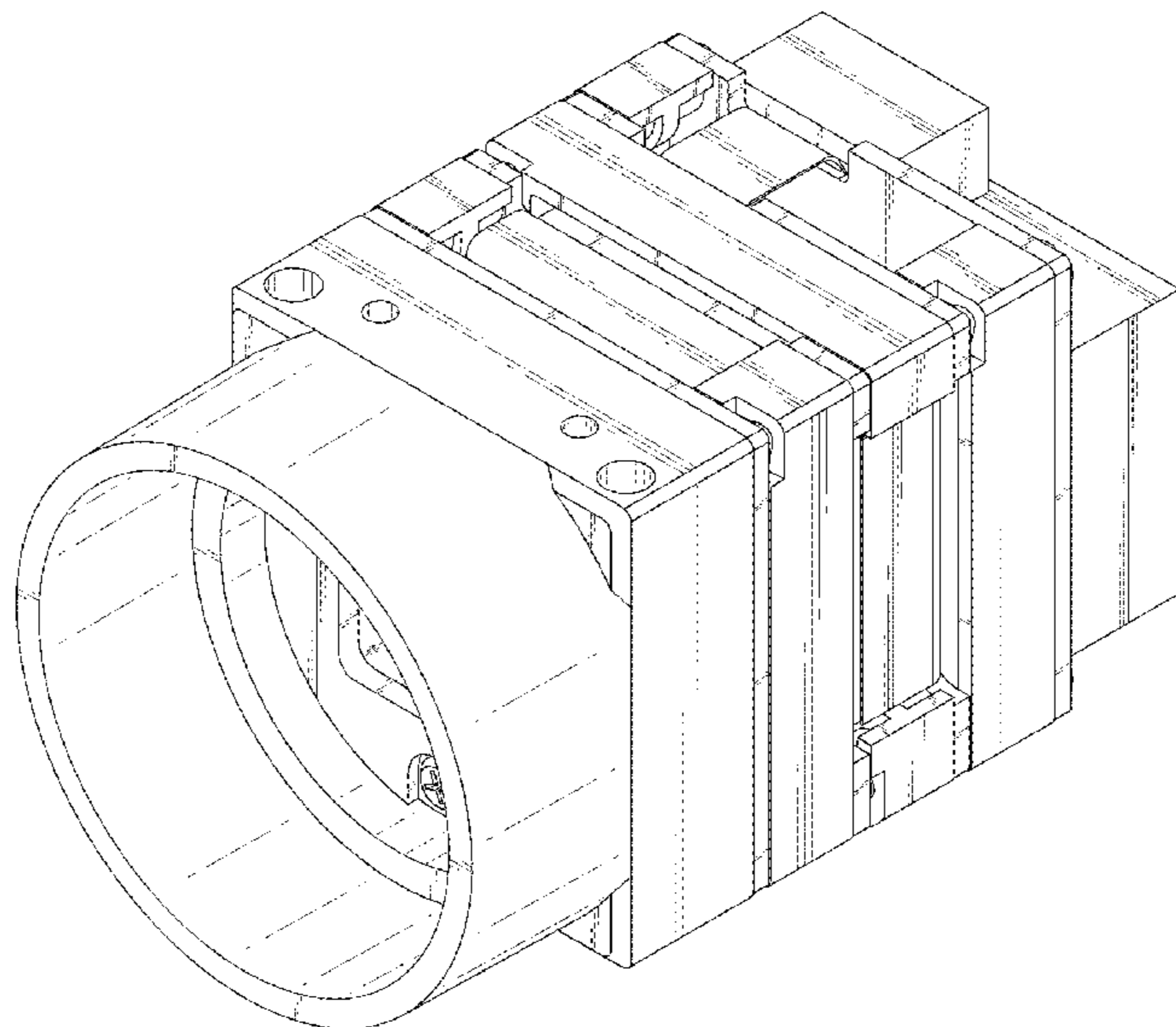
(57) **CLAIM**

The ornamental design for a machine vision camera, as
shown and described.

DESCRIPTION

FIG. 1 is a perspective view of a machine vision camera in
accordance with the present invention;
FIG. 2 is a top view thereof;
FIG. 3 is a bottom view thereof;
FIG. 4 is a first side view thereof;
FIG. 5 is a second side view thereof;
FIG. 6 is a front elevational view thereof; and,
FIG. 7 is a rear elevational view thereof.
The broken lines depict portions of the machine vision
camera in which the design is embodied that form no part of
the claimed design.

1 Claim, 4 Drawing Sheets



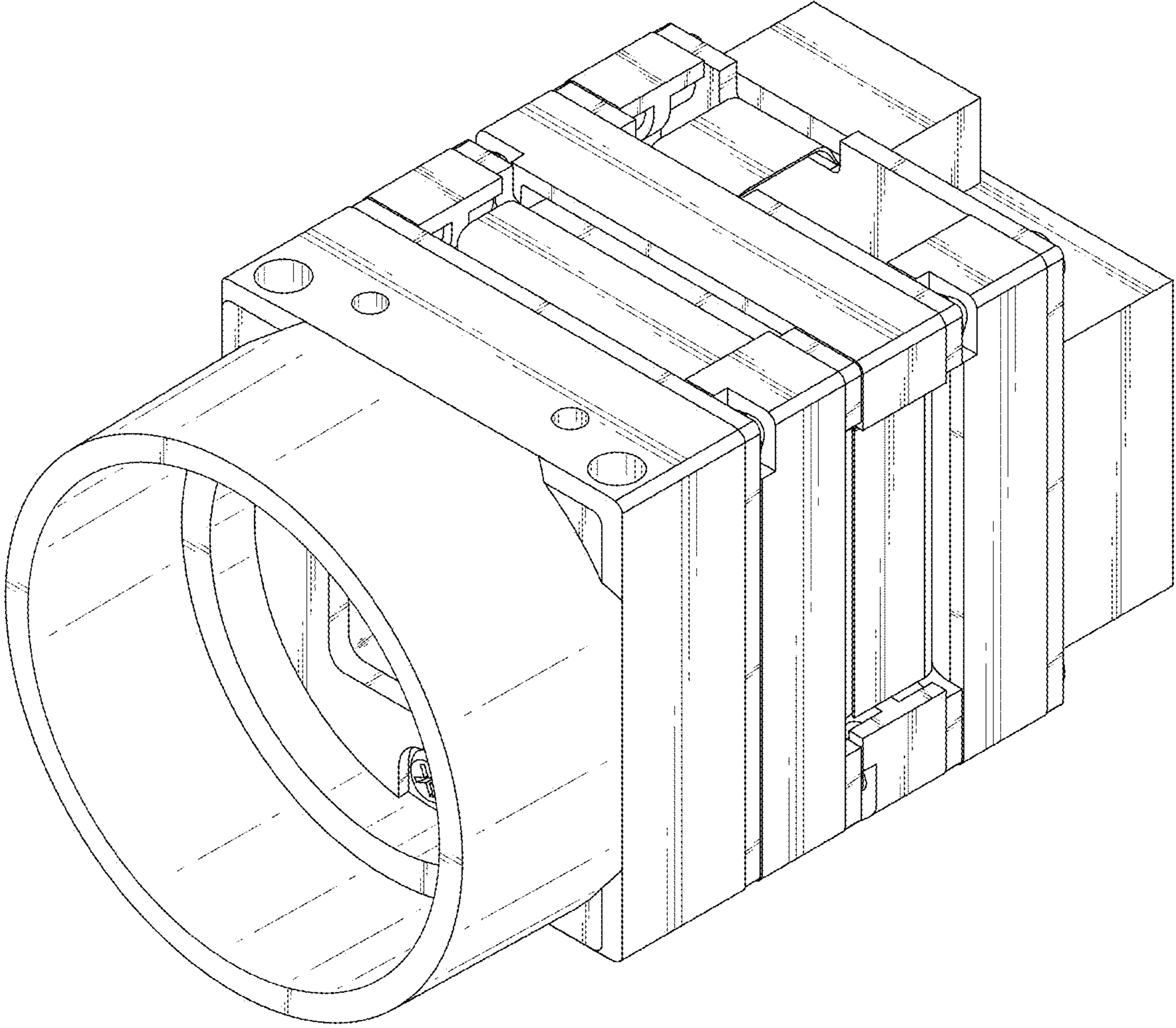


FIG. 1

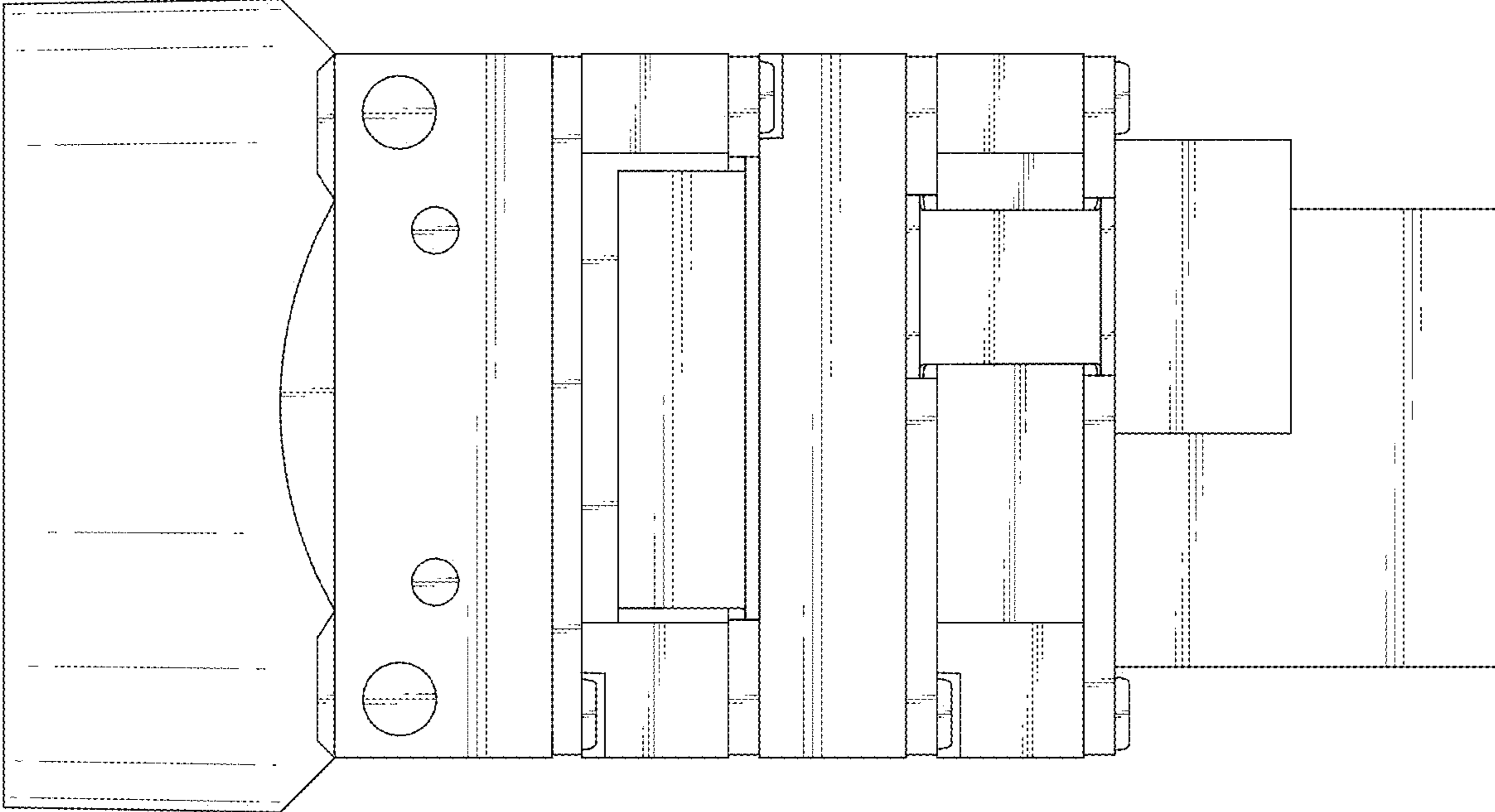


FIG. 2

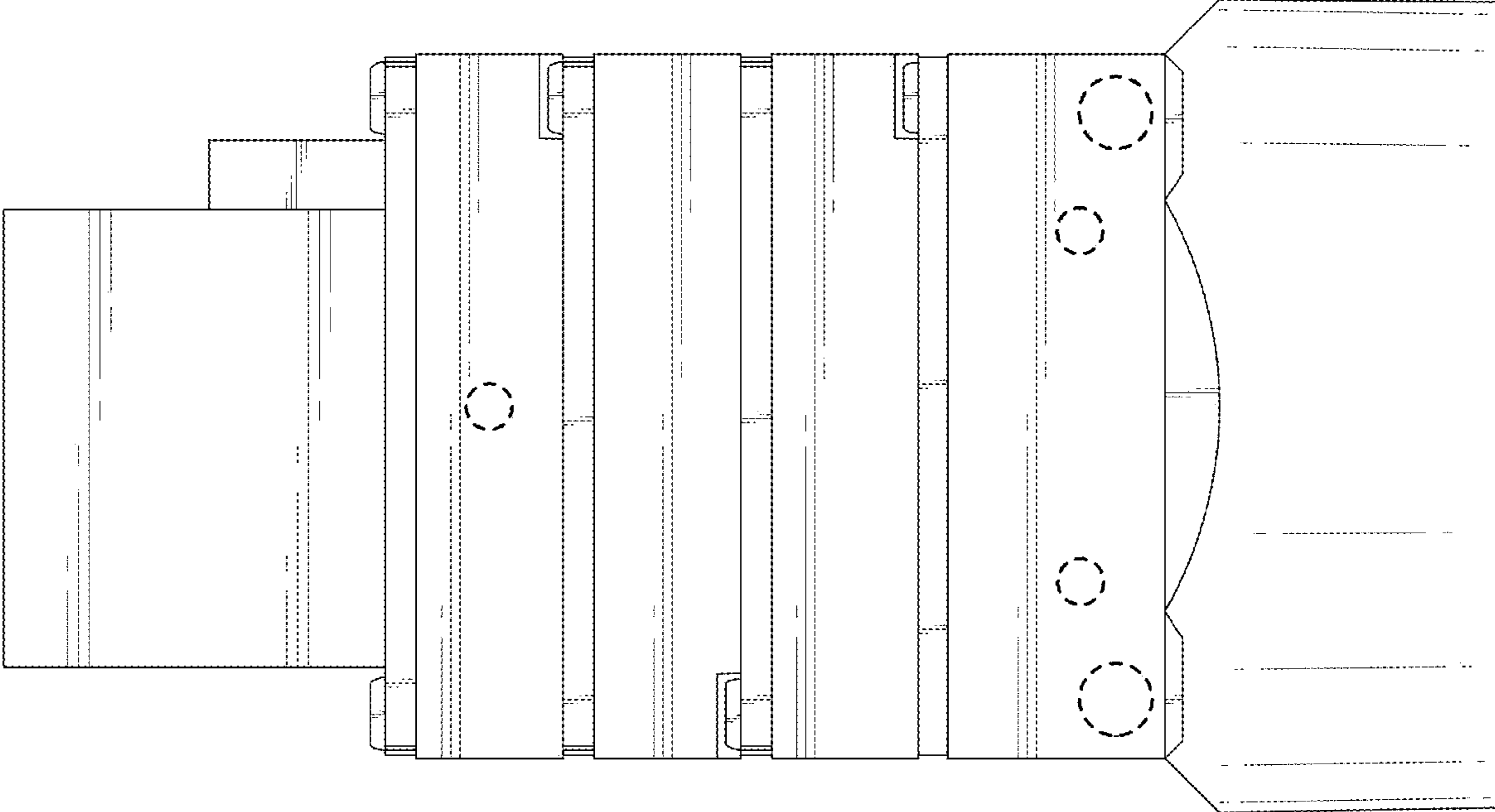


FIG. 3

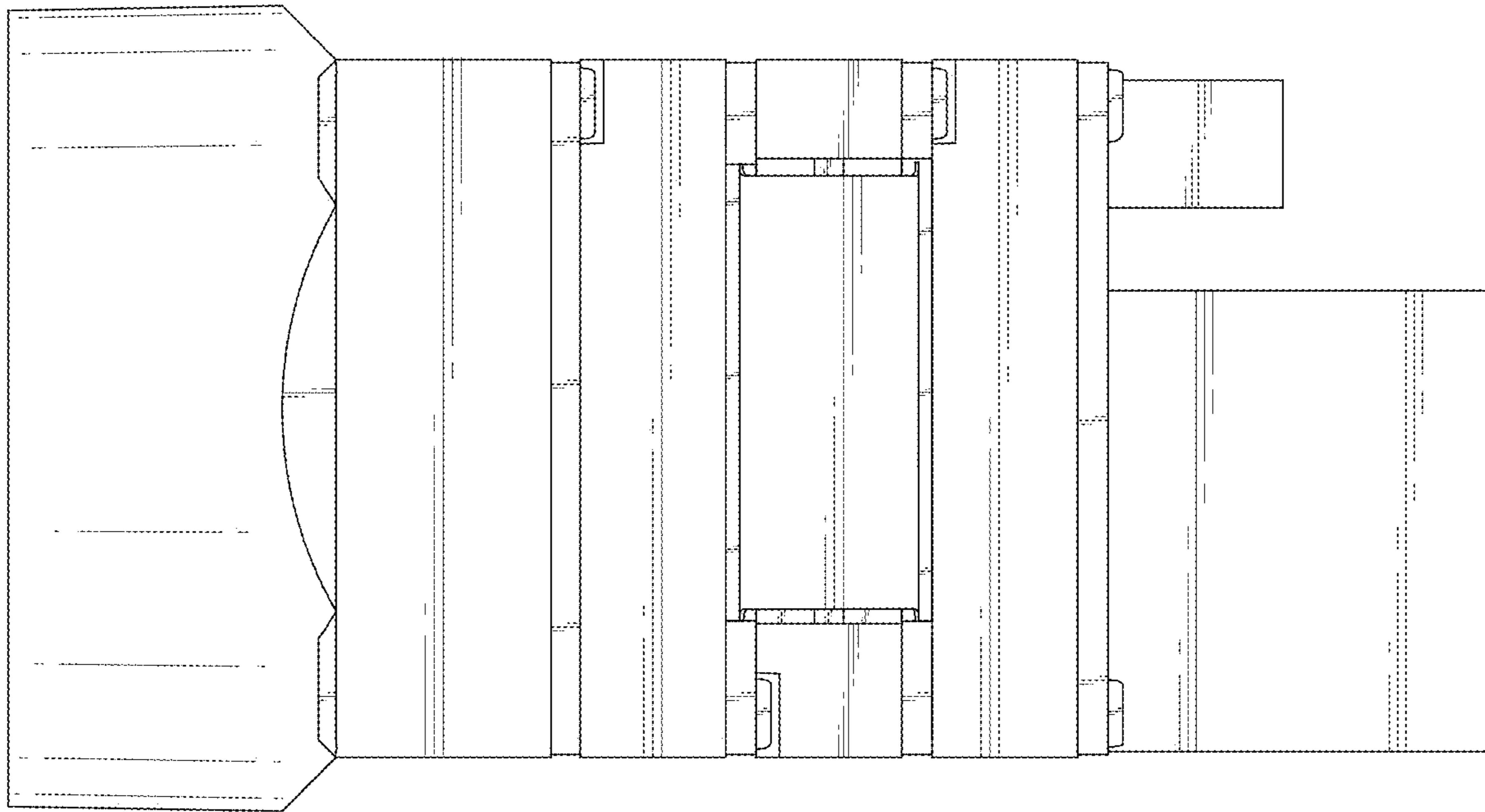


FIG. 4

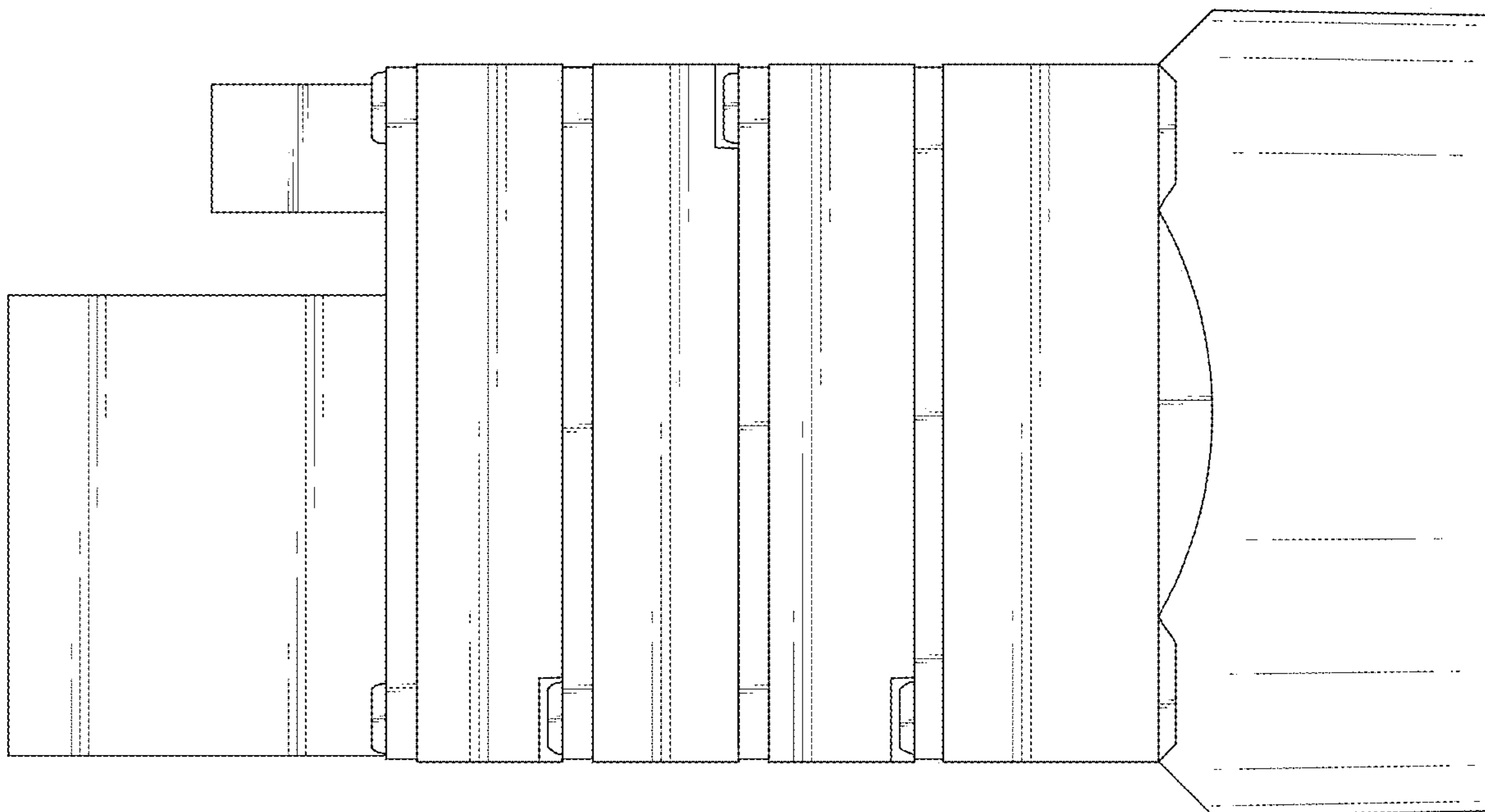


FIG. 5

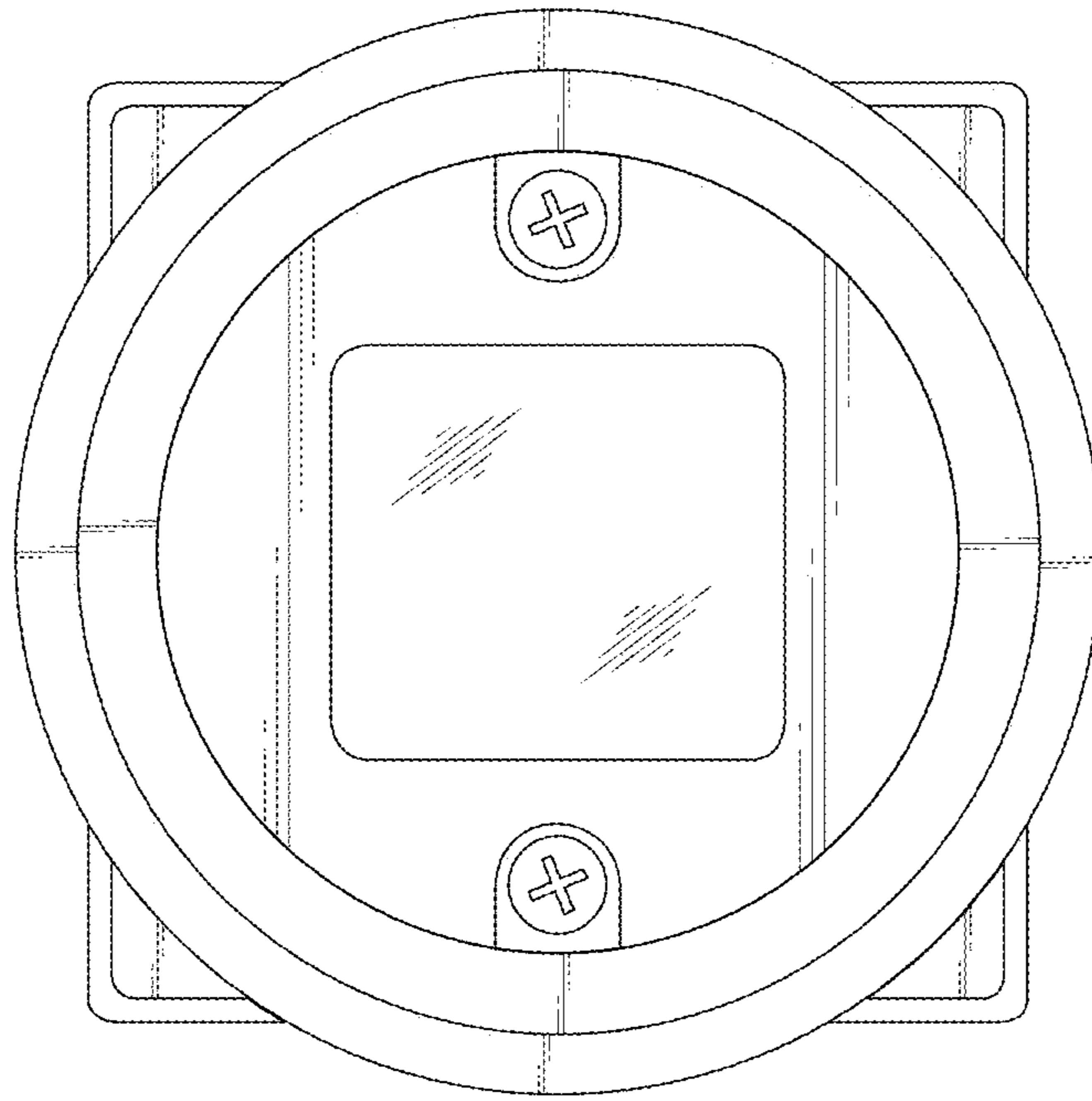


FIG. 6

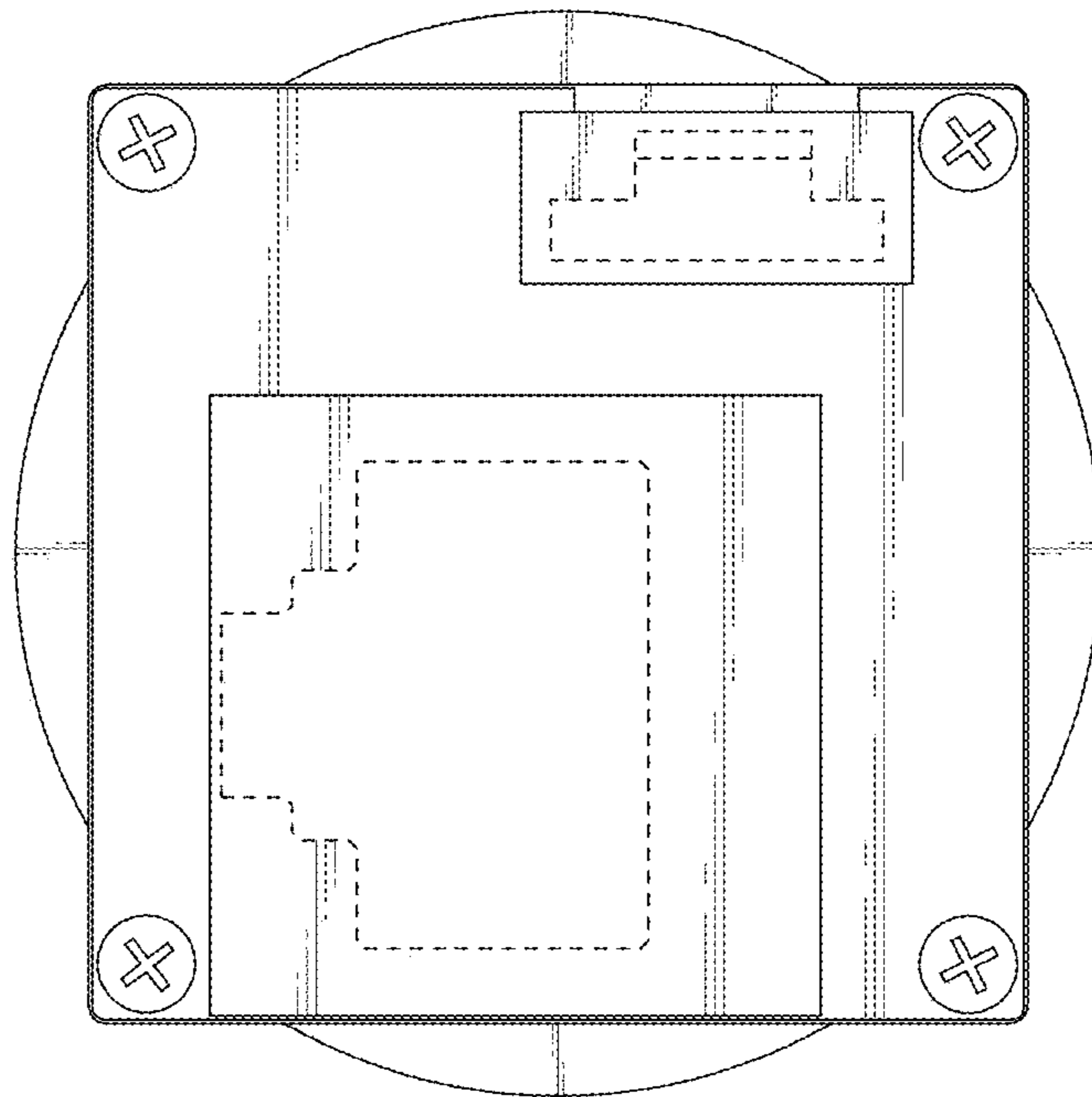


FIG. 7