



US00D902277S

(12) **United States Design Patent**
Sakaguchi et al.

(10) **Patent No.:** **US D902,277 S**

(45) **Date of Patent:** **** Nov. 17, 2020**

(54) **AUTOMATED GUIDED VEHICLE**

D873,174 S * 1/2020 Sokuza D12/1
D880,550 S * 4/2020 Sokuza D15/199
D886,173 S * 6/2020 Sokuza D15/199

(71) Applicant: **MEIDENSHA CORPORATION**,
Tokyo (JP)

(72) Inventors: **Masaya Sakaguchi**, Komae (JP);
Keisuke Komeno, Ichinomiya (JP)

(73) Assignee: **MEIDENSHA CORPORATION**,
Tokyo (JP)

(**) Term: **15 Years**

(21) Appl. No.: **29/708,474**

(22) Filed: **Oct. 7, 2019**

(30) **Foreign Application Priority Data**

Apr. 5, 2019 (JP) 2019-007403

(51) **LOC (12) Cl.** **15-99**

(52) **U.S. Cl.**
USPC **D15/199**

(58) **Field of Classification Search**
USPC D12/1, 16.1, 42; D15/199; D34/12, 23,
D34/28, 34
CPC B61F 3/00; B60L 2200/26; B65G 1/065
See application file for complete search history.

(56) **References Cited**

U.S. PATENT DOCUMENTS

4,763,910 A * 8/1988 Brandli B60B 33/0042
280/29
4,778,024 A * 10/1988 Matsumoto B62D 1/28
180/167
D810,799 S * 2/2018 Sokuza D15/199
D812,663 S * 3/2018 Waters D15/199
10,239,544 B1 * 3/2019 DeMartine B61L 27/0005
D865,021 S * 10/2019 Hu D15/199
D871,475 S * 12/2019 Kolb D15/199
D871,476 S * 12/2019 Kolb D15/199
D871,477 S * 12/2019 Kolb D15/199
D873,173 S * 1/2020 Brucker D12/1

OTHER PUBLICATIONS

PA52-3139—Meiden, www.meidensha.com [online]. Published on or before Jul. 31, 2019, [retrieved on Jun. 27, 2020]. Retrieved from the Internet: <URL:https://www.meidensha.com/catalog/PA52-3139.pdf> (Year: 2019).*

* cited by examiner

Primary Examiner — Karen E Kearney

Assistant Examiner — Adam C Mager

(74) *Attorney, Agent, or Firm* — Foley & Lardner LLP

(57) **CLAIM**

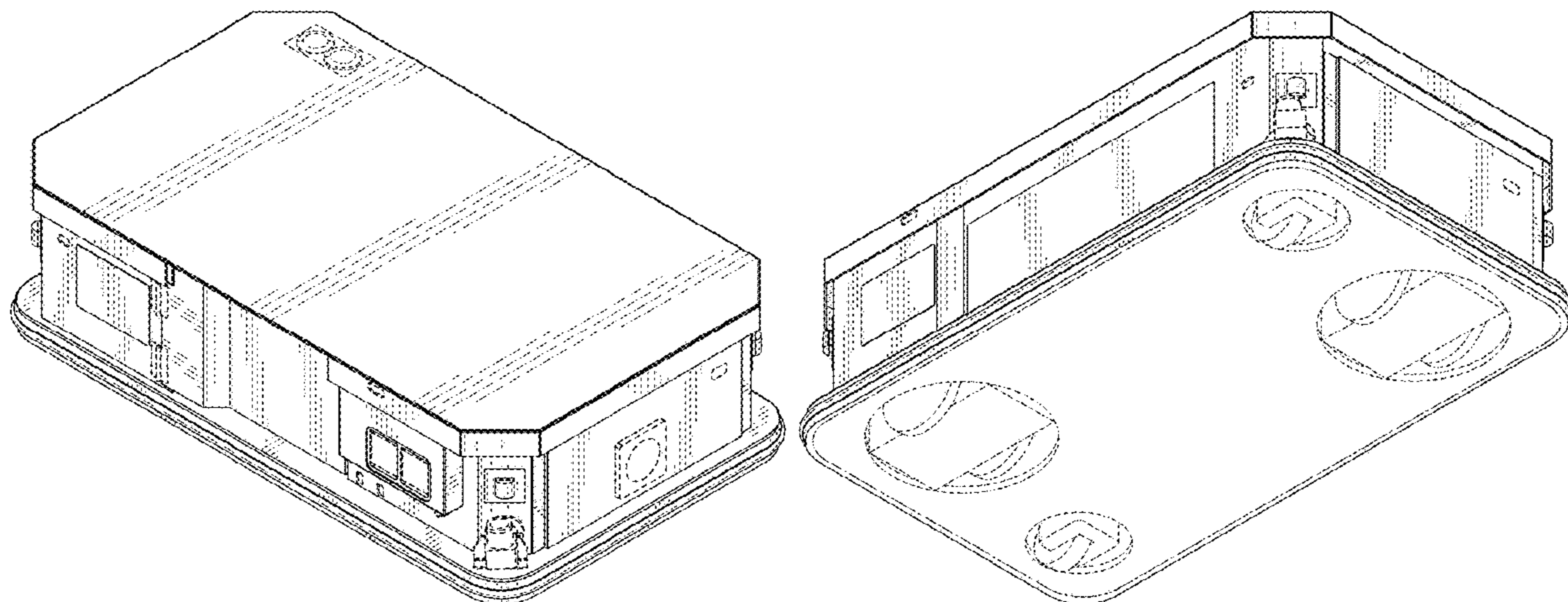
We claim the ornamental design for an automated guided vehicle, as shown and described.

DESCRIPTION

FIG. 1 is a first top perspective view of an automated guided vehicle according to the claimed design;
FIG. 2 is a second top perspective view thereof;
FIG. 3 is a first bottom perspective view thereof;
FIG. 4 is a second bottom perspective view thereof;
FIG. 5 is a front view thereof;
FIG. 6 is a back view thereof;
FIG. 7 is a left side view thereof;
FIG. 8 is a right side view thereof;
FIG. 9 is a top view thereof; and,
FIG. 10 is a bottom view thereof.

The ornamental design which is claimed is shown in solid lines in the drawings. The broken lines in the drawings are directed to environment and are for illustrative purposes only, and form no part of the claimed design. The dot-dash broken lines depict unclaimed boundaries and form no part of the claimed design.

1 Claim, 10 Drawing Sheets



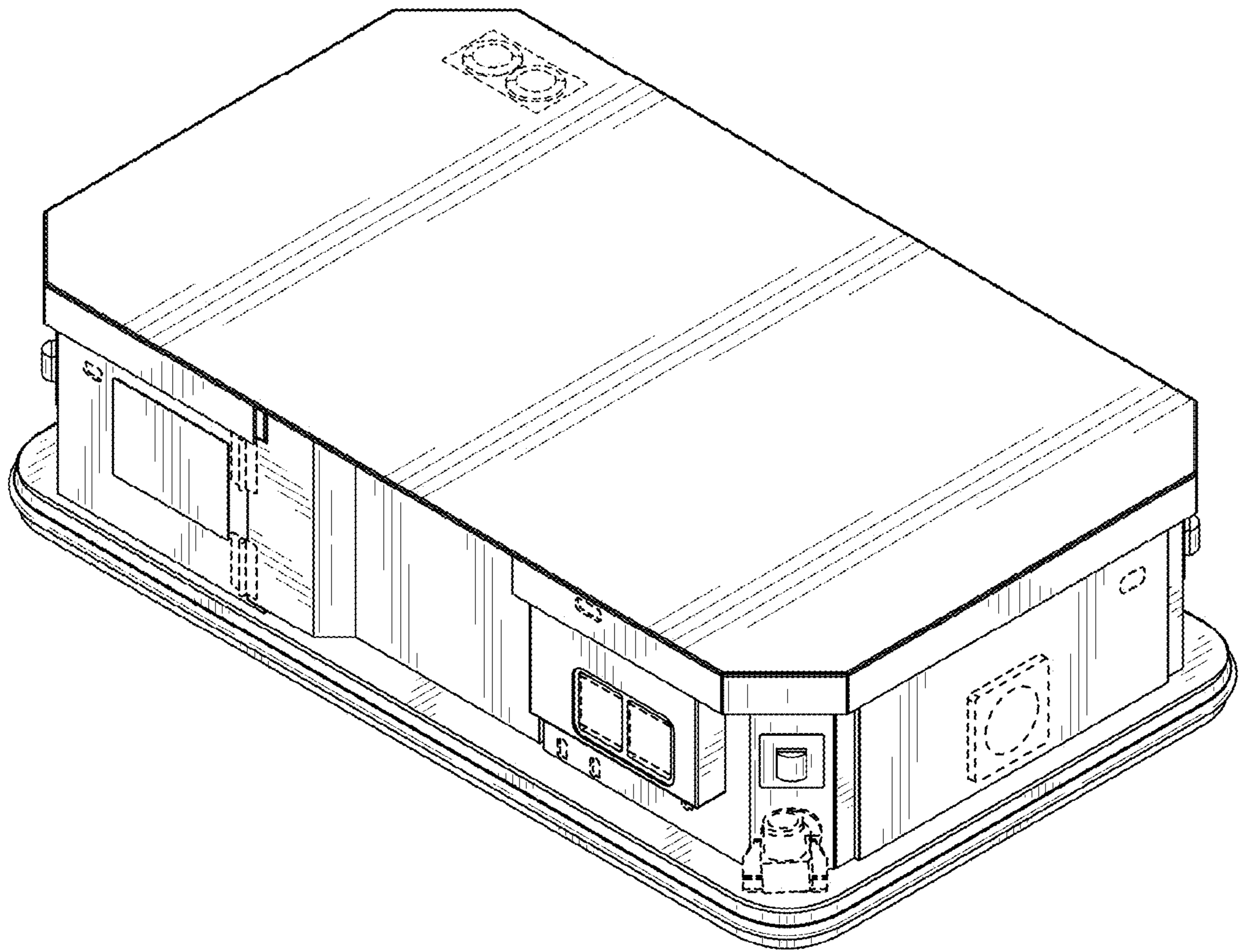


Figure 1

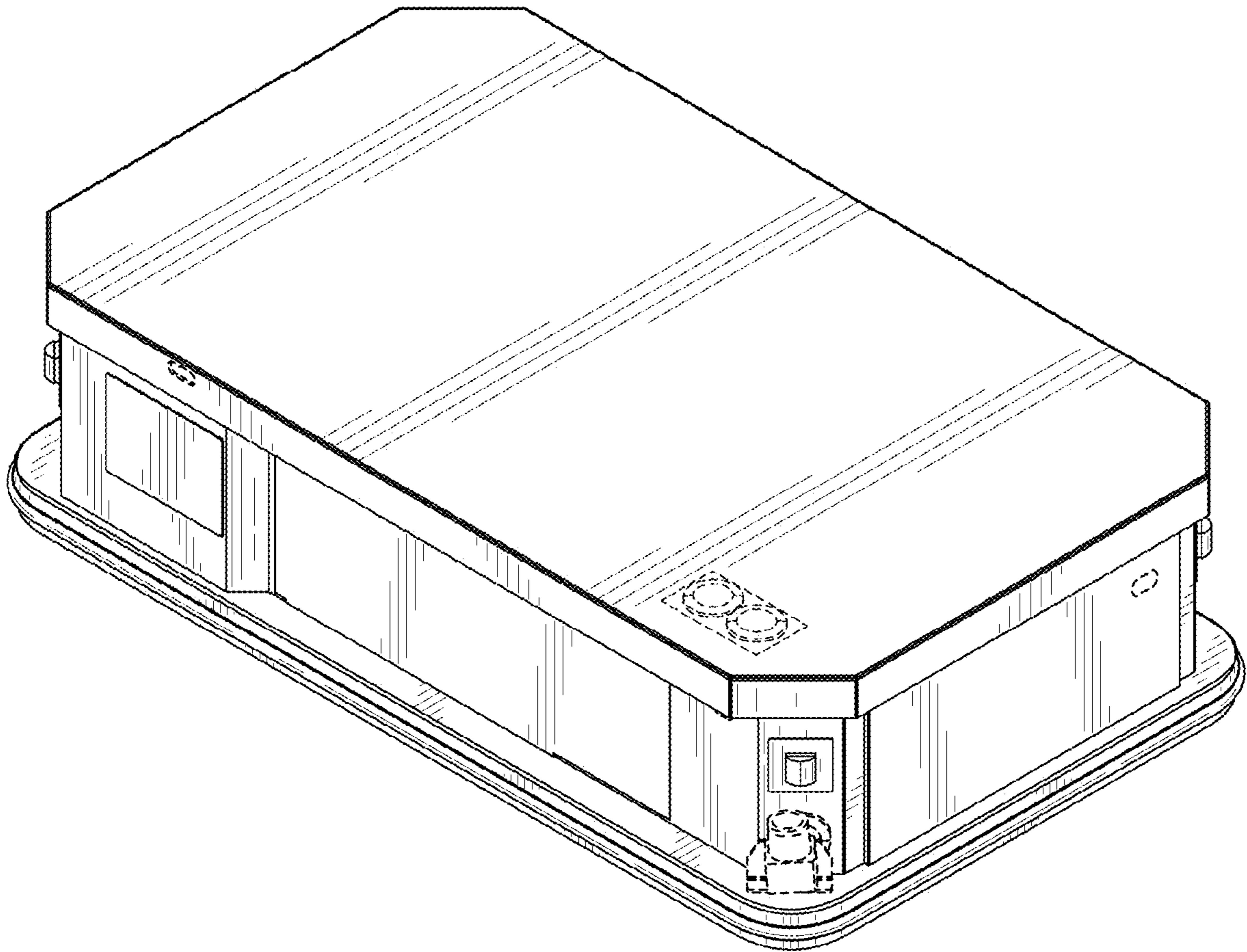


Figure 2

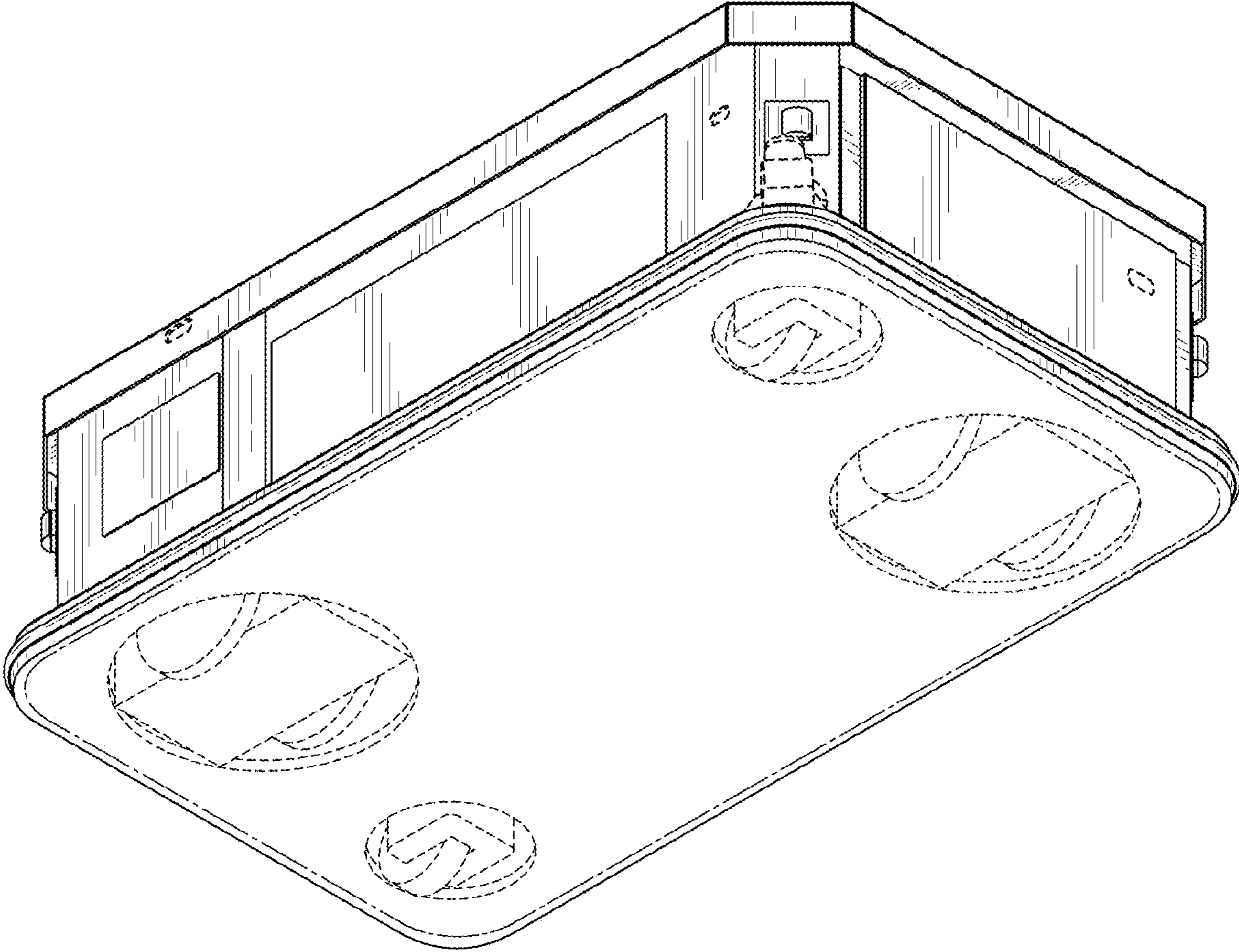


Figure 3

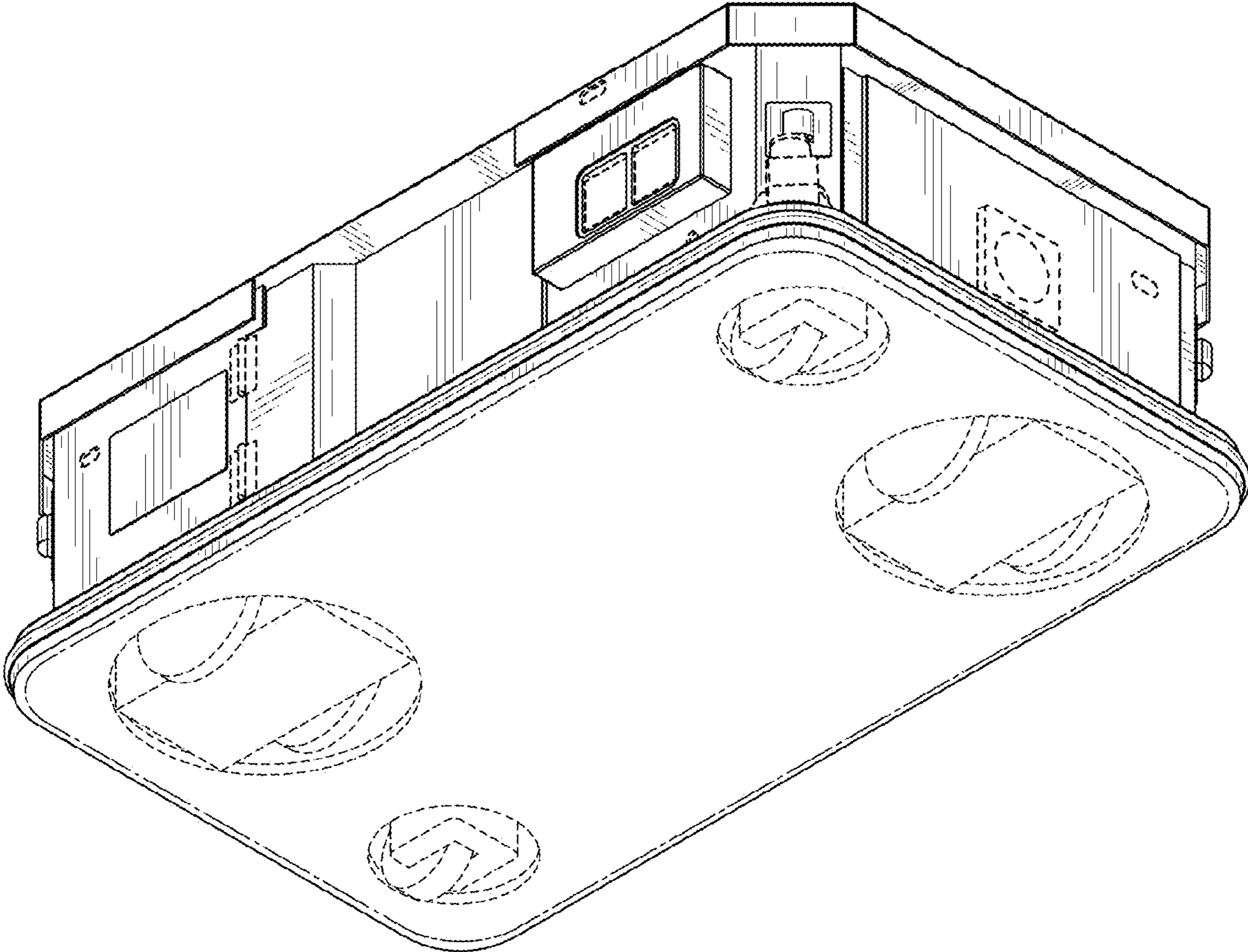


Figure 4

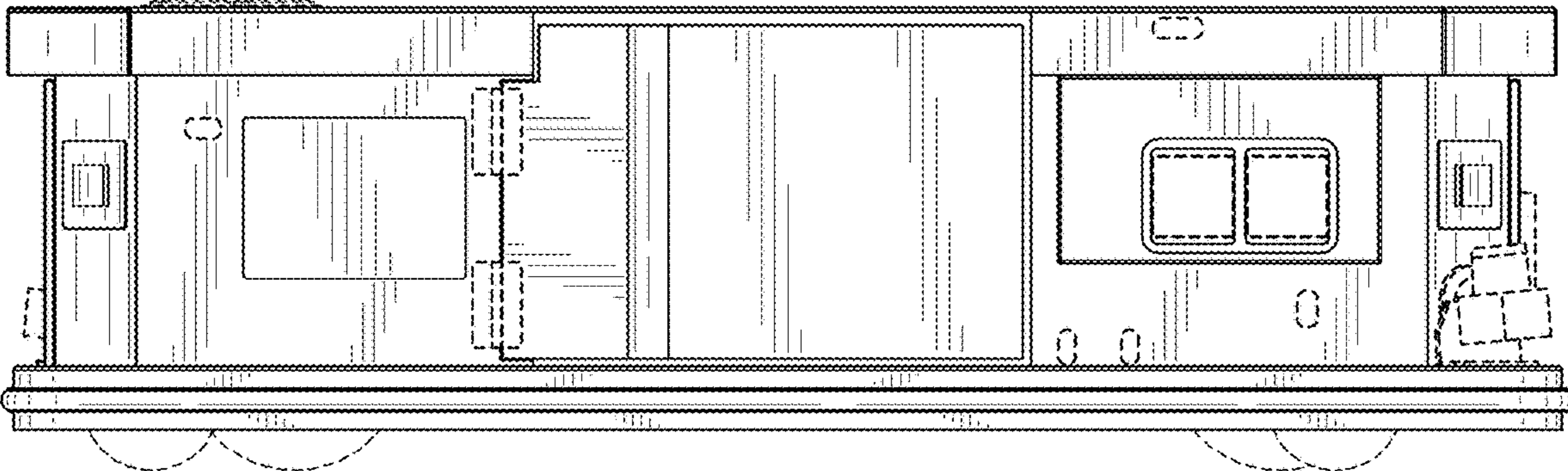


Figure 5

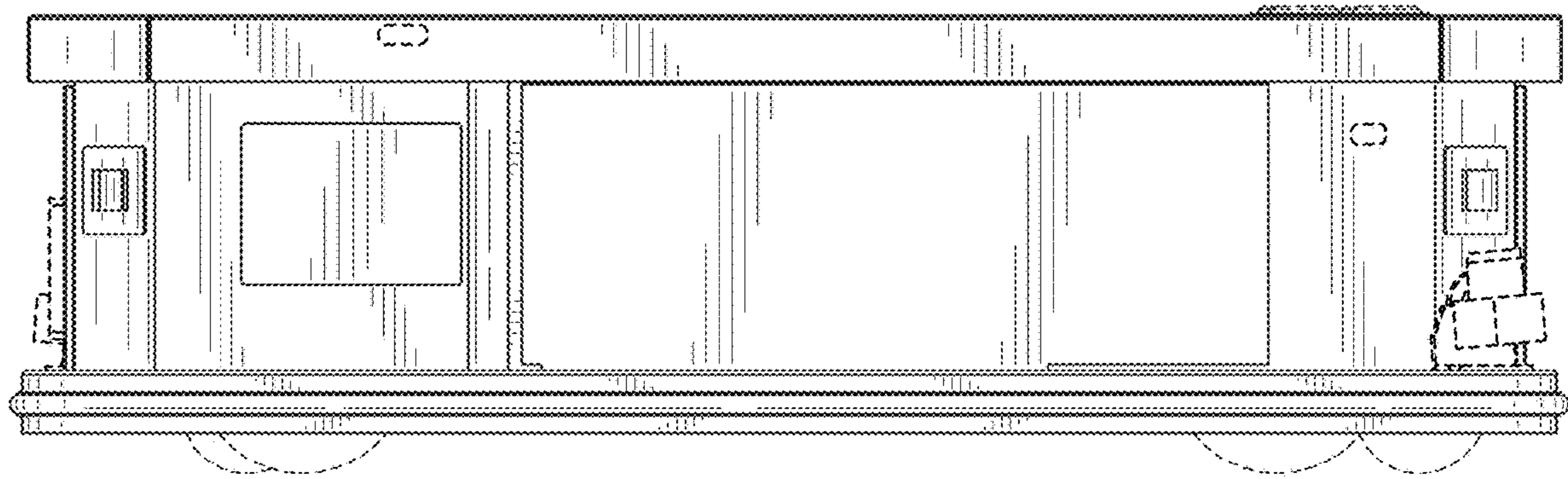


Figure 6

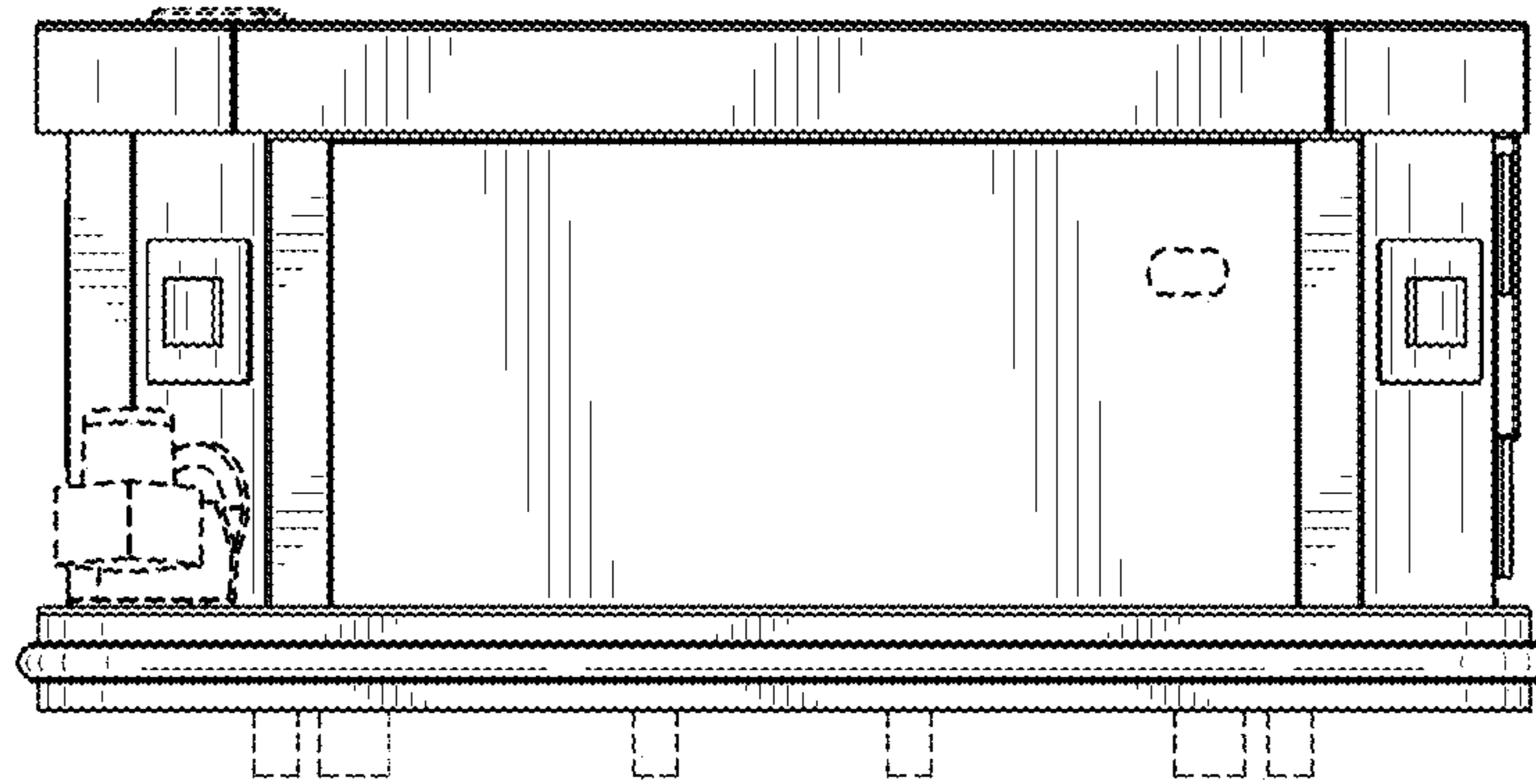


Figure 7

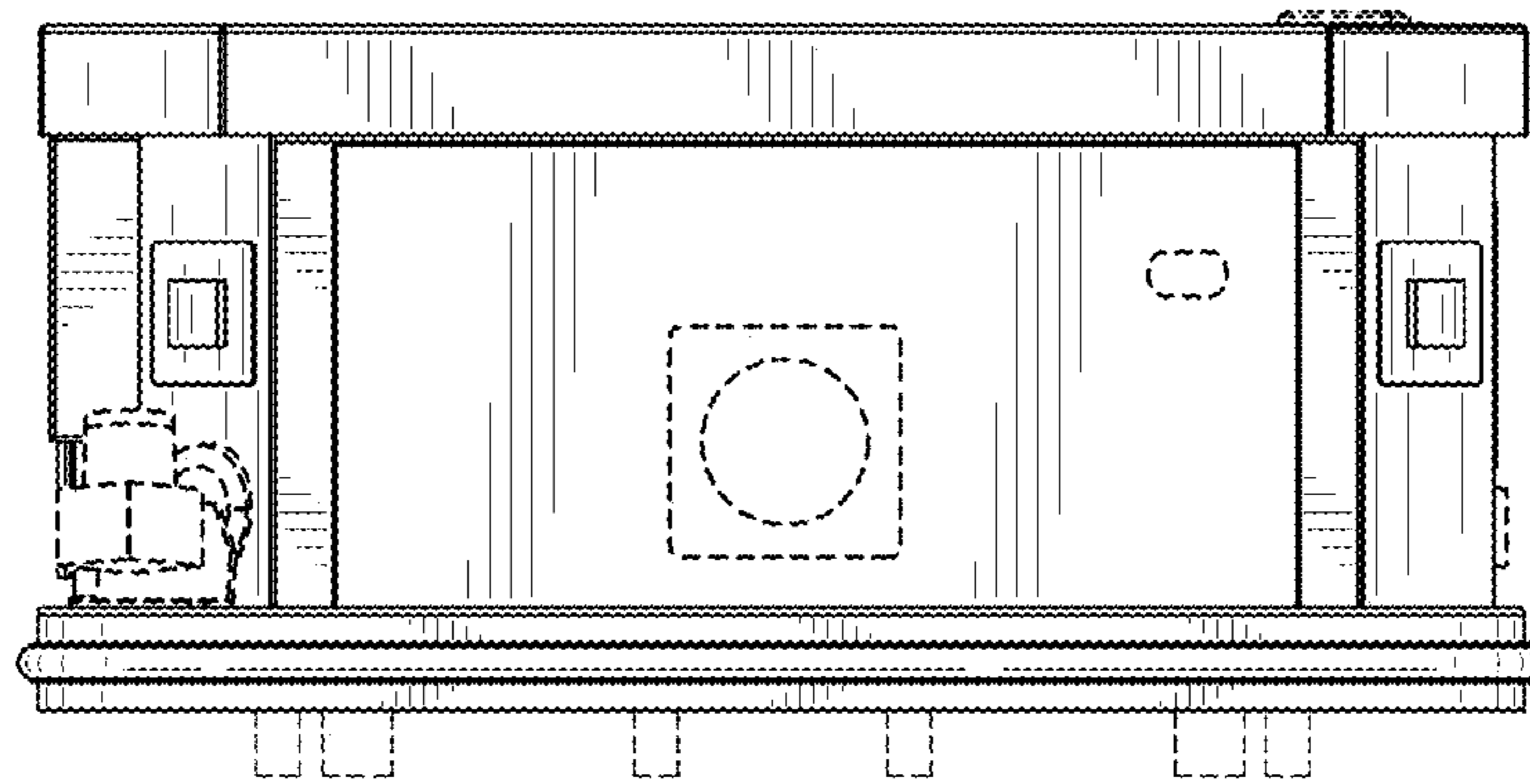


Figure 8

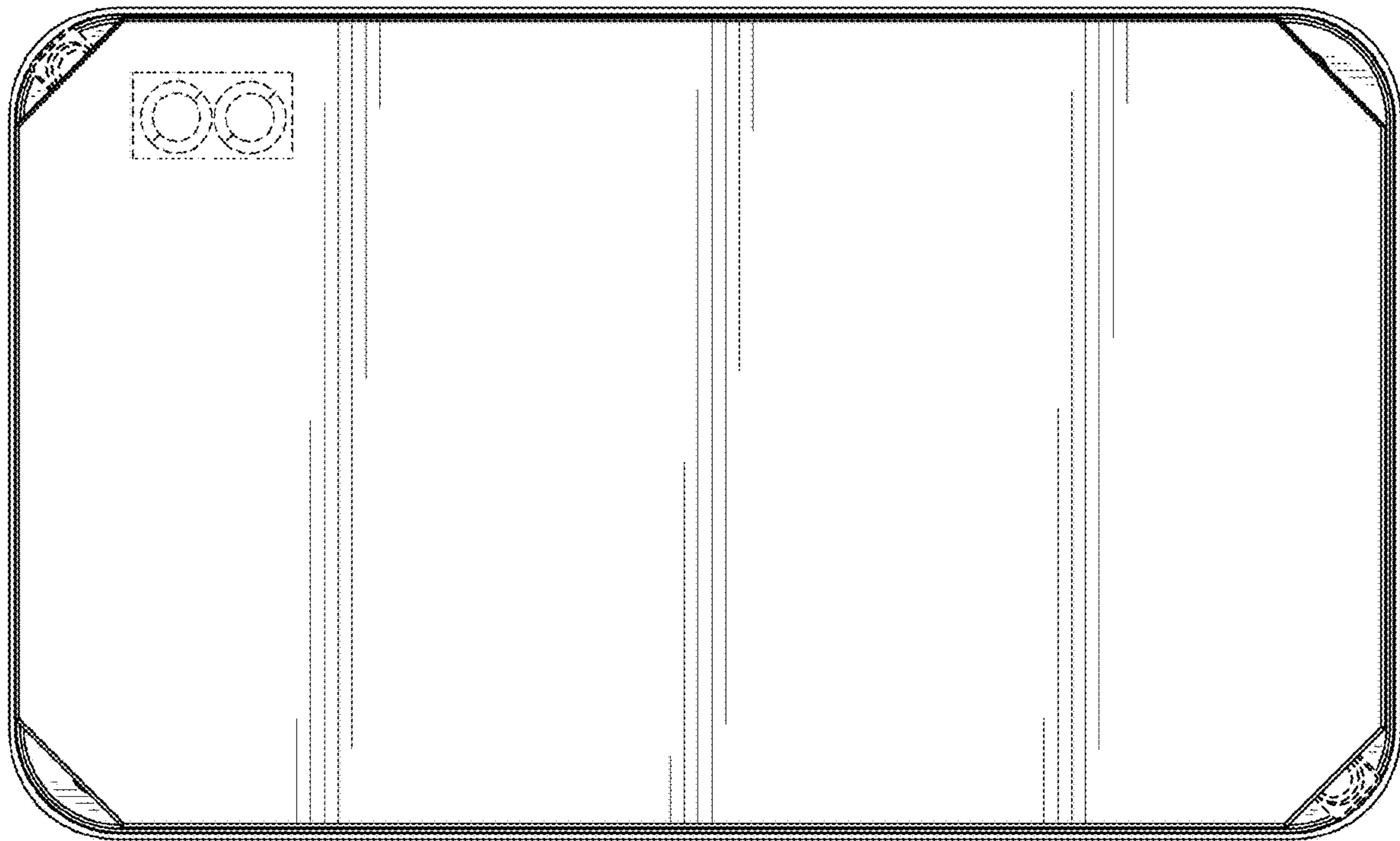


Figure 9

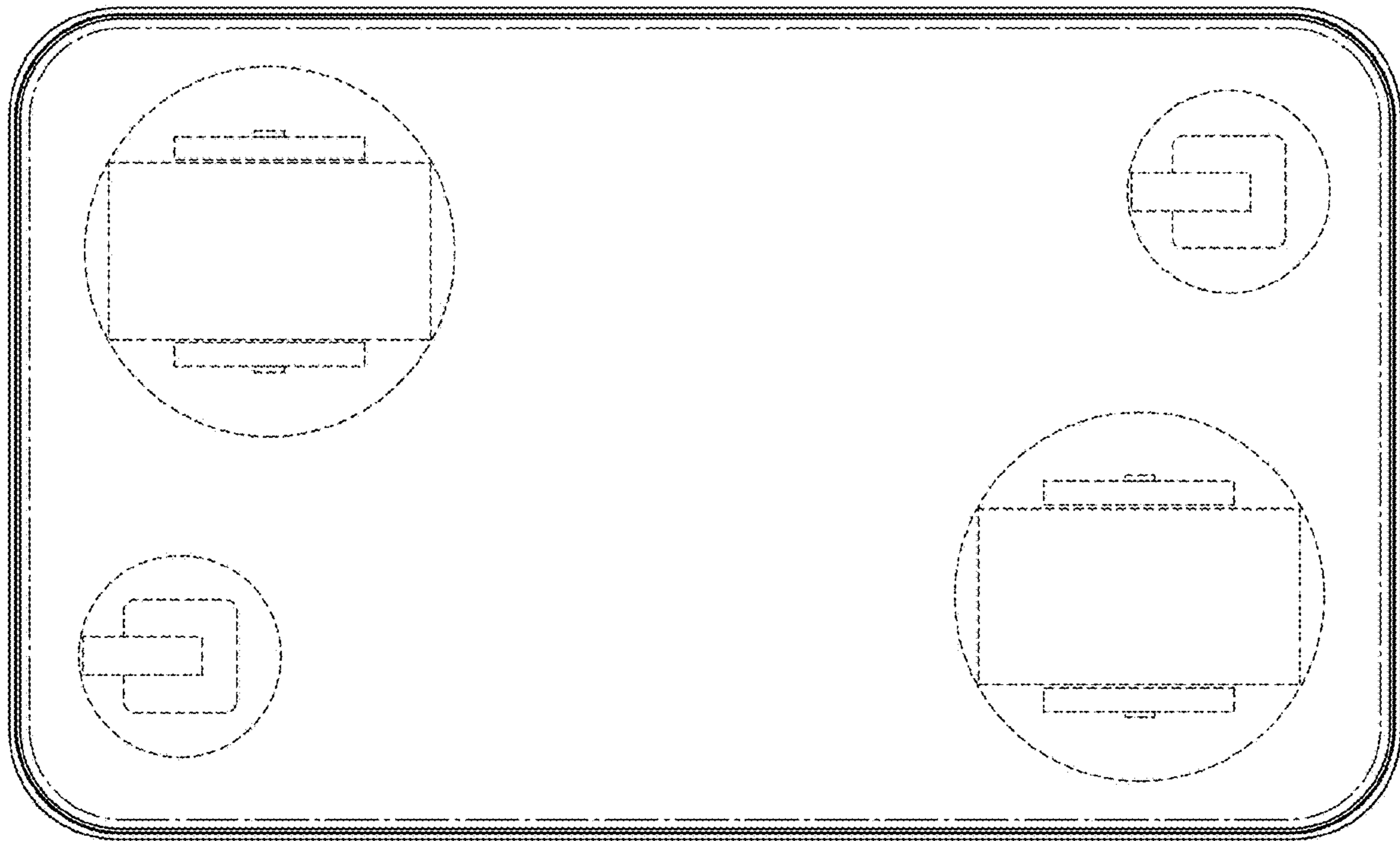


Figure 10