



US00D902276S

(12) **United States Design Patent**
Iura et al.

(10) **Patent No.:** **US D902,276 S**
(45) **Date of Patent:** **** Nov. 17, 2020**

(54) **INDUSTRIAL ROBOT**
(71) Applicant: **Daihen Corporation**, Osaka (JP)
(72) Inventors: **Jun Iura**, Osaka (JP); **Kunio Fukuma**,
Osaka (JP); **Daisuke Sado**, Osaka (JP)

7,837,425 B2 * 11/2010 Saeki H01L 21/68707
414/744.5
D639,323 S * 6/2011 Yoshino D15/199
8,016,542 B2 * 9/2011 Cox H01L 21/67742
414/744.5
8,297,907 B2 * 10/2012 Yazawa B25J 15/028
414/744.5

(73) Assignee: **Daihen Corporation**, Osaka (JP)

(Continued)

(**) Term: **15 Years**

FOREIGN PATENT DOCUMENTS

(21) Appl. No.: **29/703,312**

JP D1117878 8/2001
JP D1118299 8/2001

(22) Filed: **Aug. 26, 2019**

(Continued)

(30) **Foreign Application Priority Data**

Primary Examiner — Patricia A Palasik

Mar. 27, 2019 (JP) 2019-006438

(74) *Attorney, Agent, or Firm* — Schwegman Lundberg &
Woessner, P.A.

(51) **LOC (12) Cl.** **15-99**

(57) **CLAIM**

(52) **U.S. Cl.**
USPC **D15/199**

The ornamental design for an industrial robot, as shown and
described.

(58) **Field of Classification Search**
USPC D15/122, 199; D21/578–583; D32/21;
D34/34

DESCRIPTION

CPC B25J 9/046; B25J 9/042; B25J 9/06; H01L
21/67766

FIG. 1 is a front, top, and right side perspective view of our
design for an industrial robot;
FIG. 2 is a front view thereof;
FIG. 3 is a rear view thereof;
FIG. 4 is a top plan view thereof;
FIG. 5 is a bottom plan view thereof;
FIG. 6 is a right side view thereof;
FIG. 7 is a left side view thereof;
FIG. 8 is a front, top, and right side perspective view
showing an arm of the article being stretched out; and,
FIG. 9 is a rear, top, and left side perspective view showing
an arm of the article being stretched out.

See application file for complete search history.

The broken lines illustrate portions of the industrial robot
that form no part of the claimed design. The dash-dotted
lines denote the boundary of the claim and form no part of
the claimed design.

(56) **References Cited**

U.S. PATENT DOCUMENTS

5,151,007 A * 9/1992 Maruo B25J 9/042
414/744.2
D409,636 S * 5/1999 Genov D15/199
5,950,495 A * 9/1999 Ogawa B25J 9/06
414/744.5
D433,042 S * 10/2000 Kawahara D15/199
6,190,114 B1 * 2/2001 Ogawa B25J 9/042
414/744.5
6,655,901 B2 * 12/2003 Tsubota B25J 9/042
414/744.3
D552,138 S * 10/2007 Kondo D15/199
D625,748 S * 10/2010 Yoshino D15/199

1 Claim, 9 Drawing Sheets

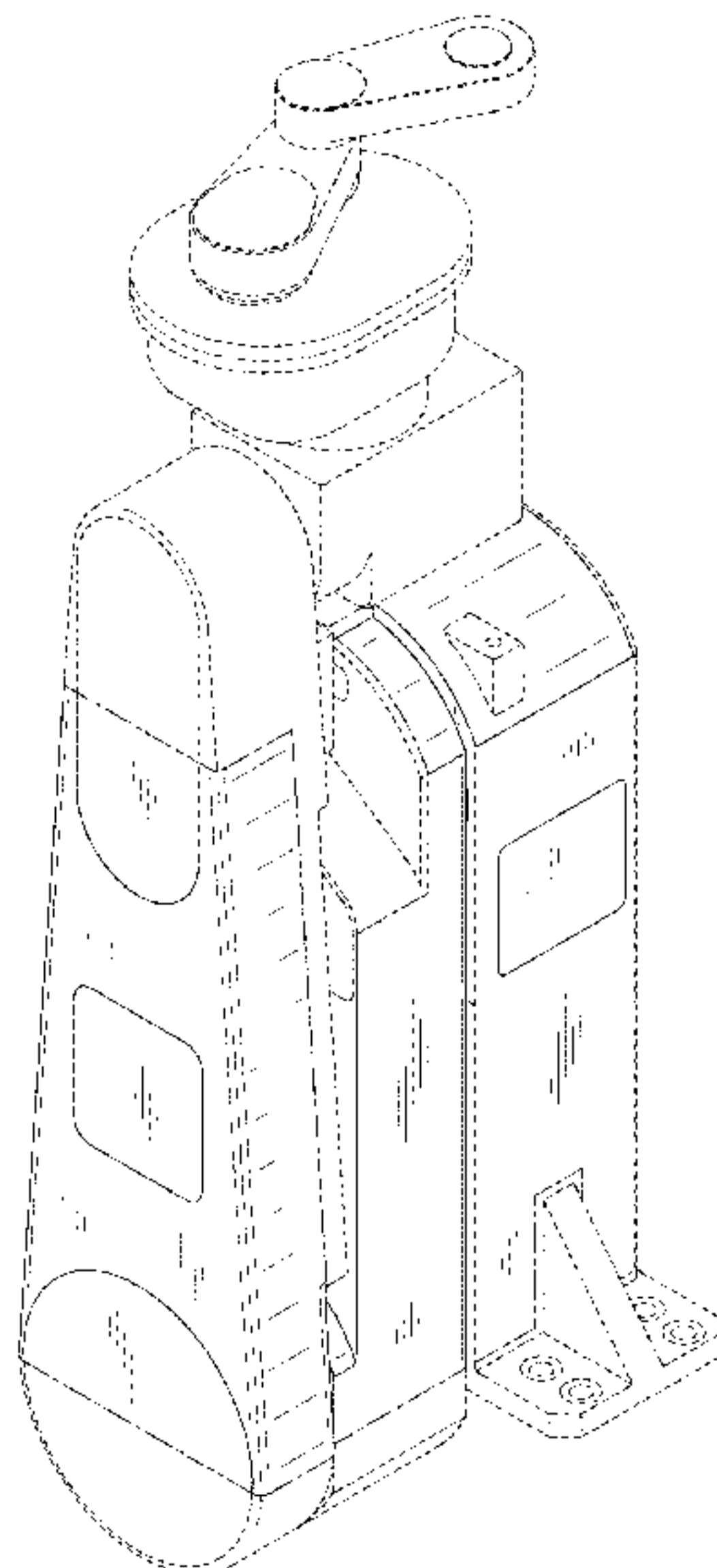


FIG. 1

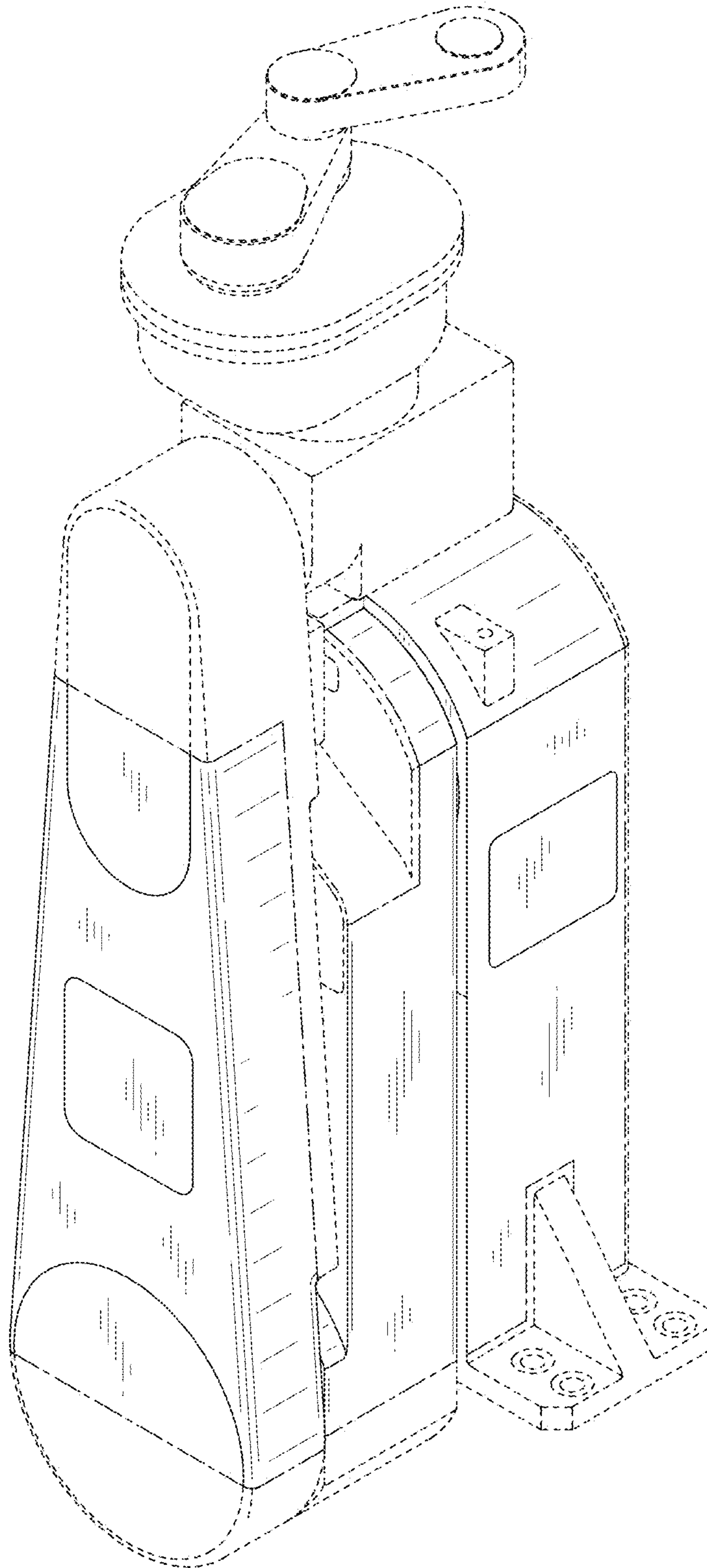


FIG.2

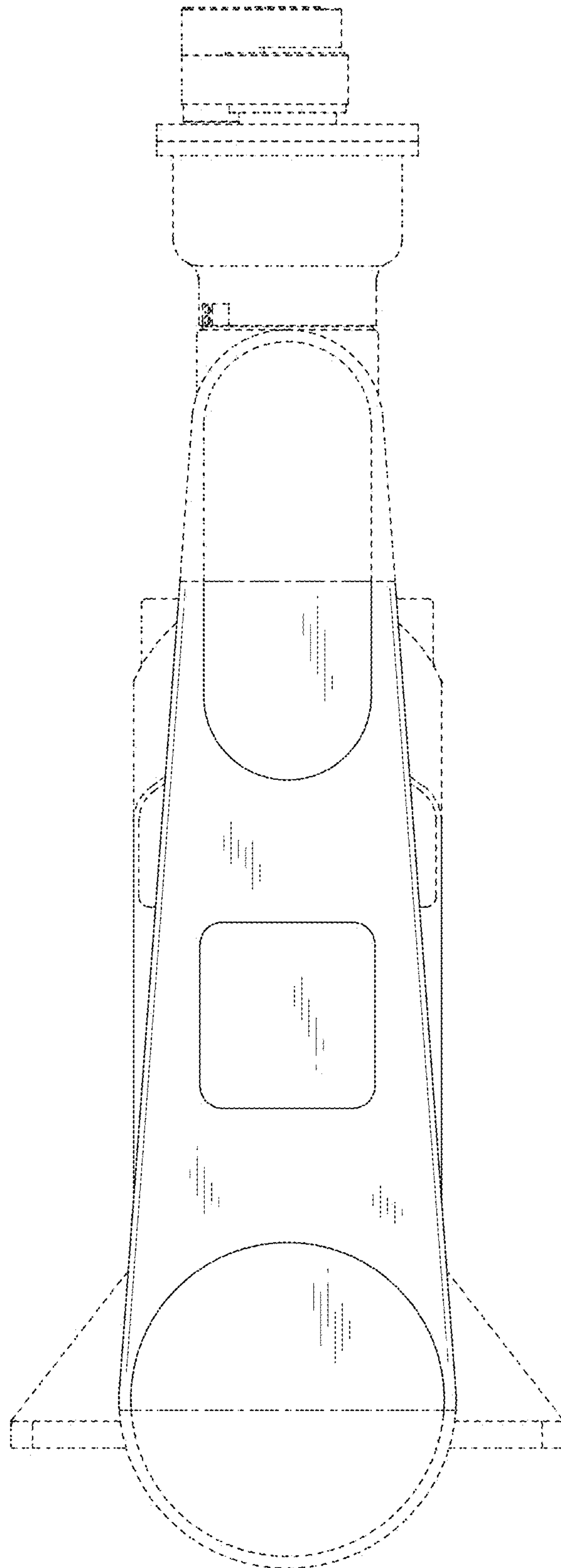


FIG.3

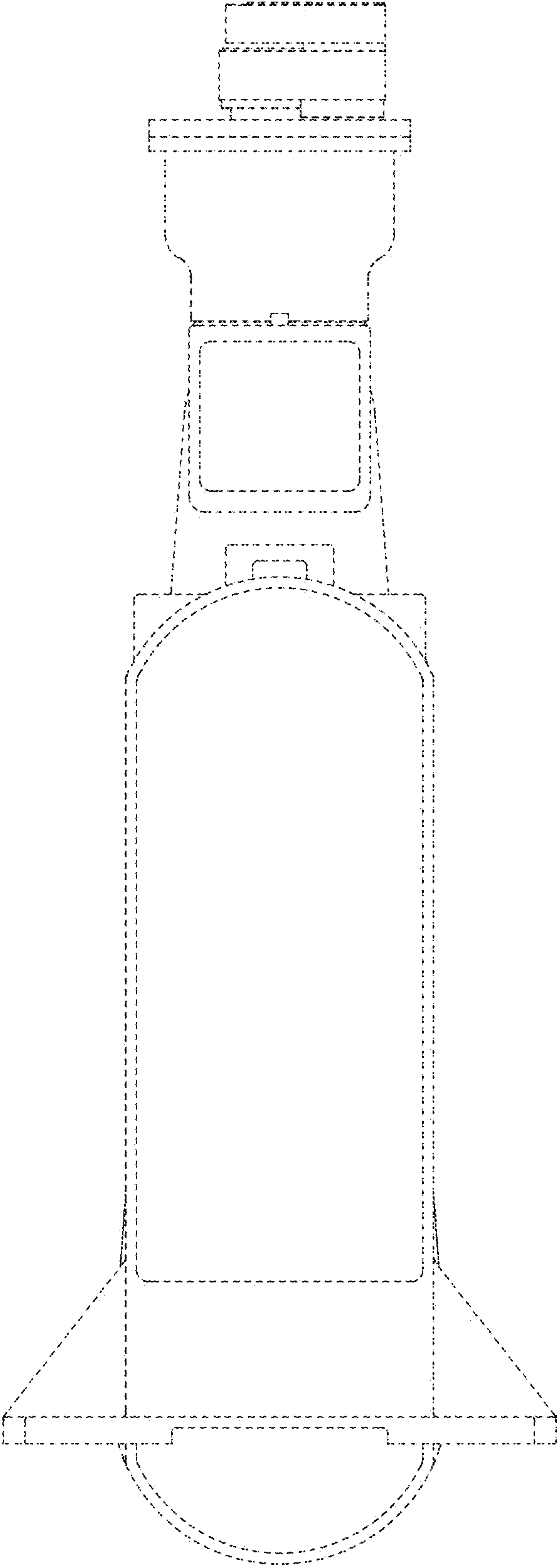


FIG.4

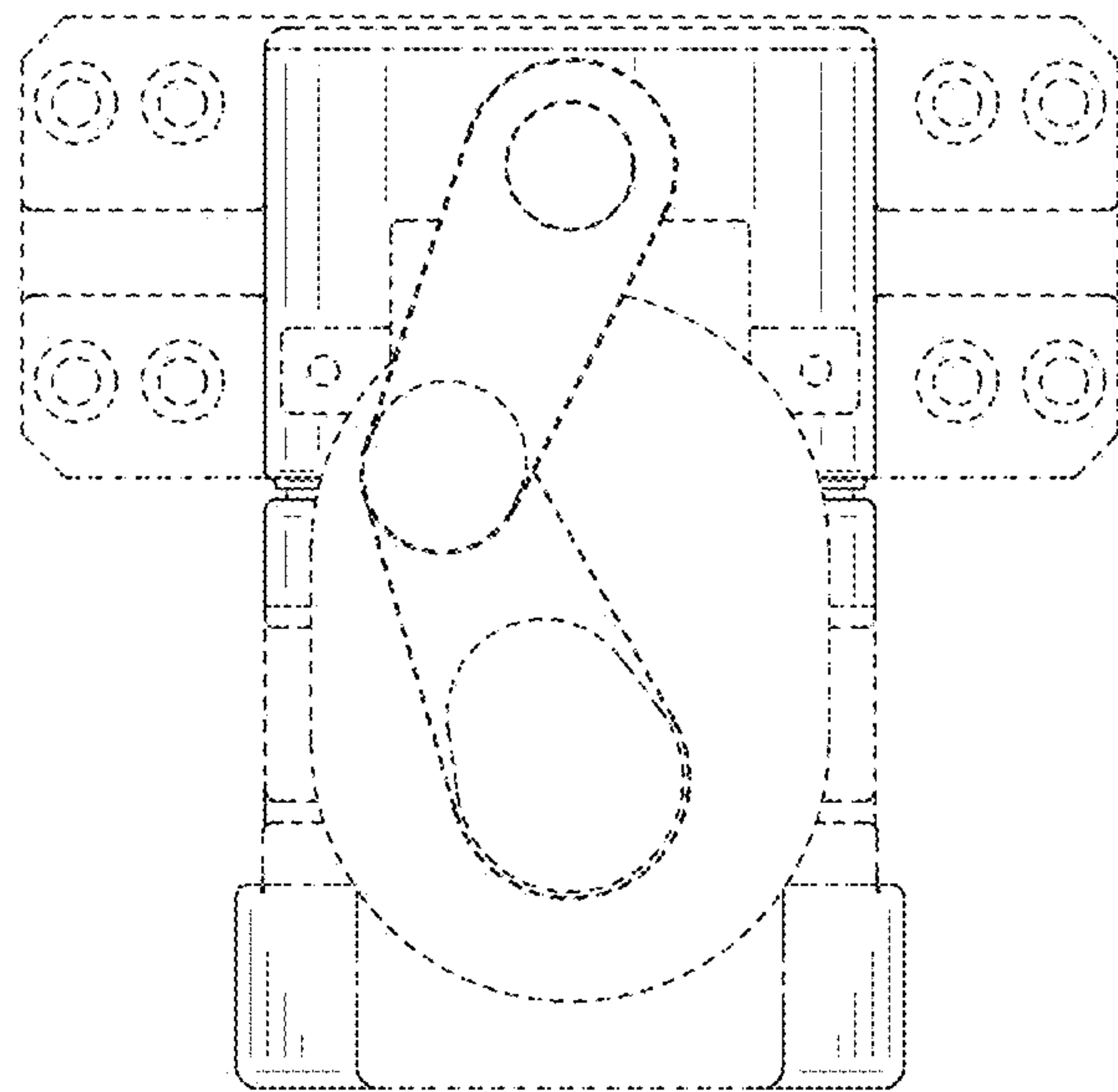


FIG.5

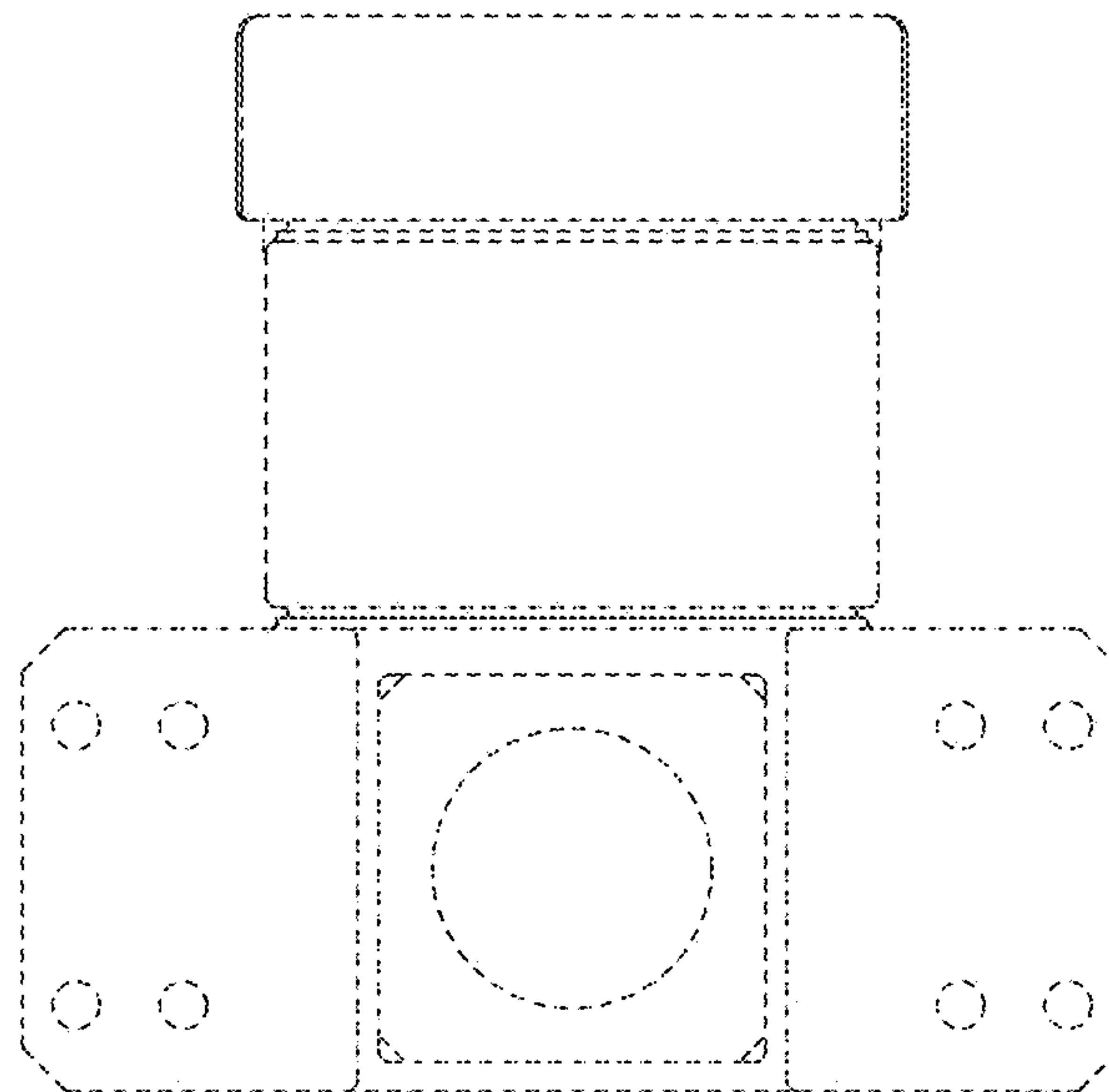


FIG.6

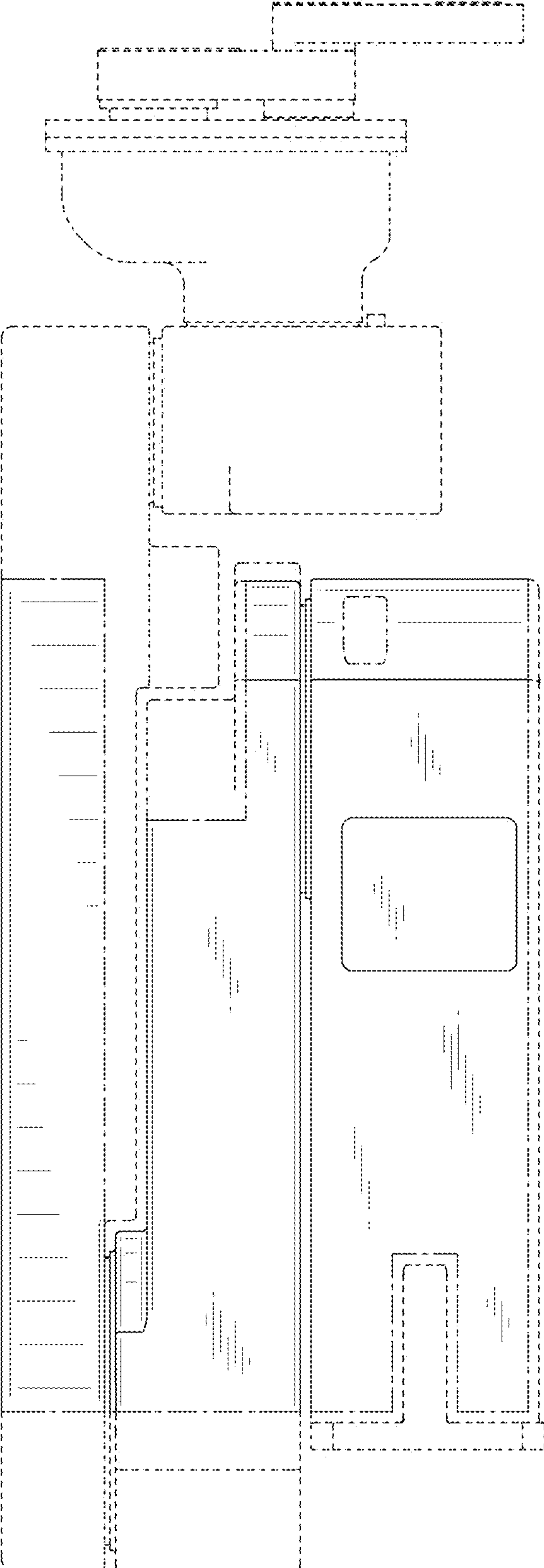


FIG.7

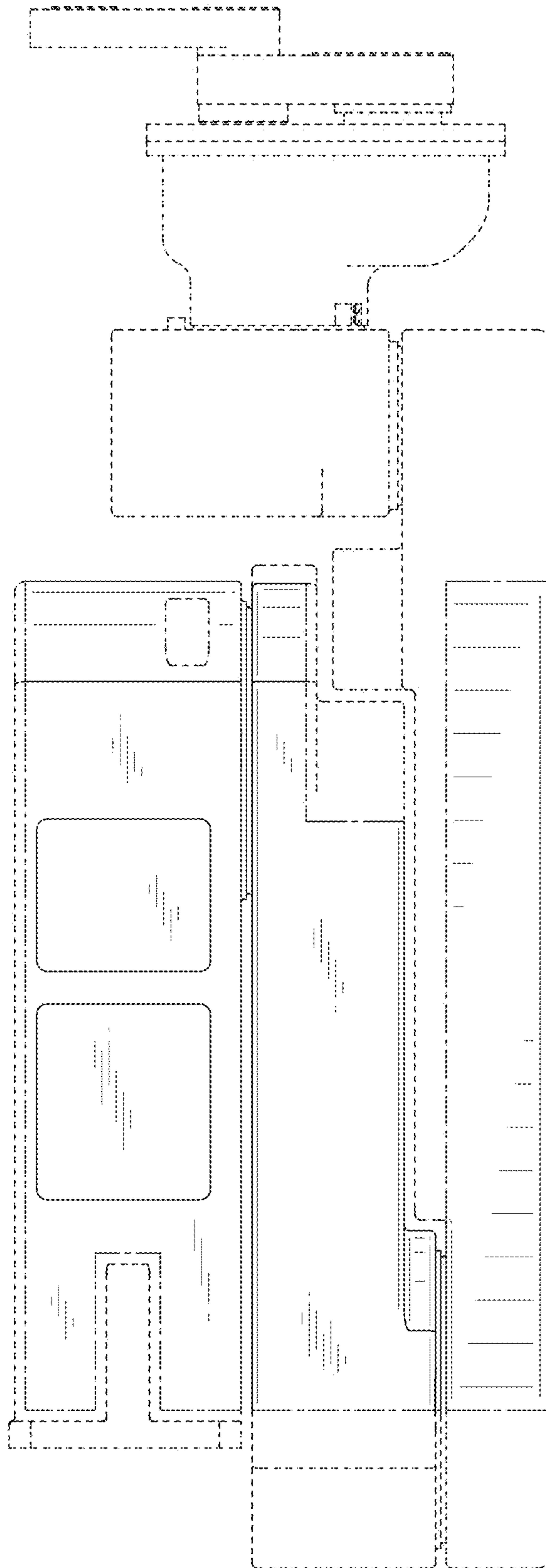


FIG.8

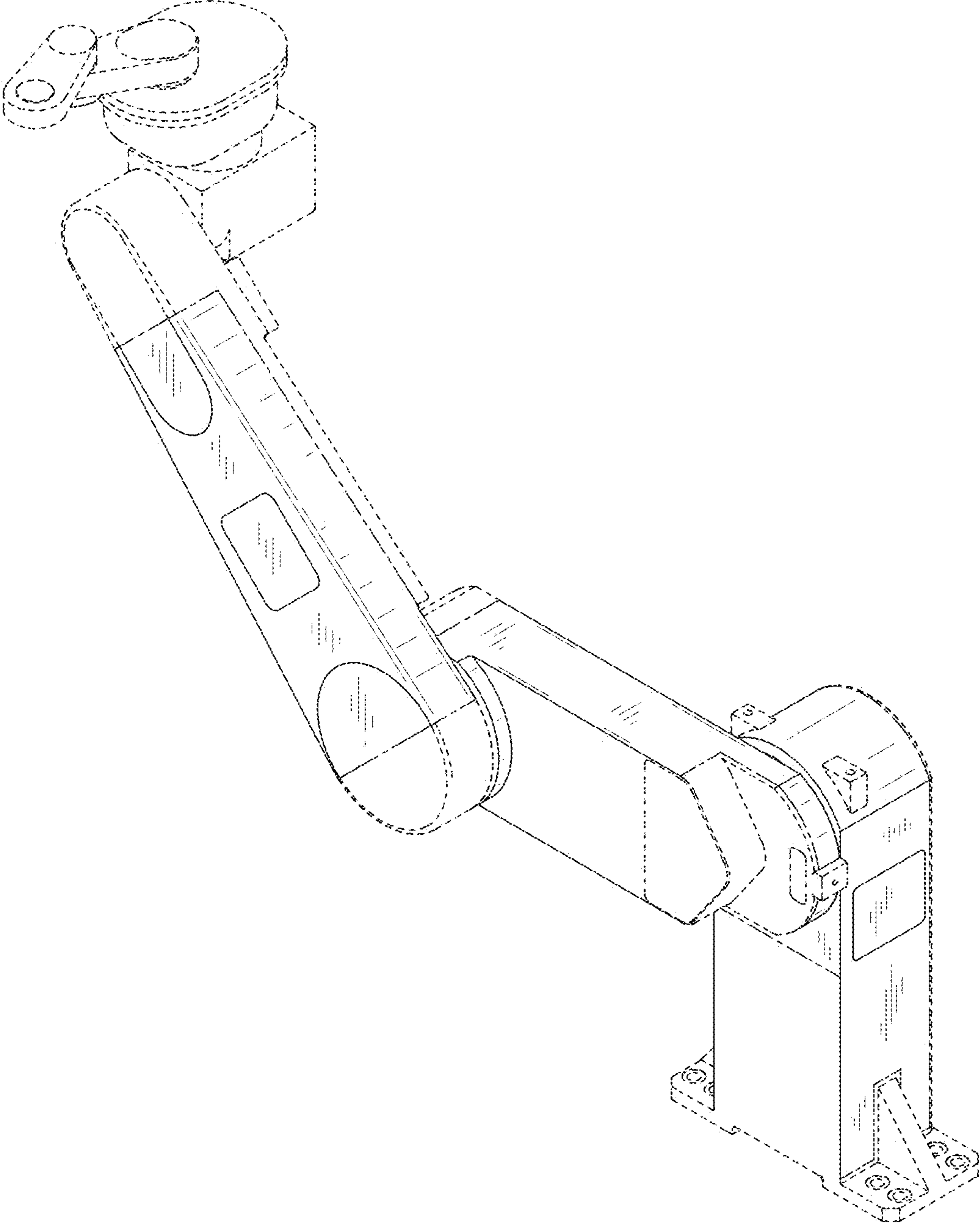


FIG.9

