



US00D902274S

(12) **United States Design Patent**
Iura et al.

(10) **Patent No.:** **US D902,274 S**
(45) **Date of Patent:** **** Nov. 17, 2020**

- (54) **INDUSTRIAL ROBOT**
- (71) Applicant: **Daihen Corporation**, Osaka (JP)
- (72) Inventors: **Jun Iura**, Osaka (JP); **Kunio Fukuma**, Osaka (JP); **Daisuke Sado**, Osaka (JP)
- (73) Assignee: **Daihen Corporation**, Osaka (JP)
- (**) Term: **15 Years**
- (21) Appl. No.: **29/703,309**
- (22) Filed: **Aug. 26, 2019**

7,837,425 B2 * 11/2010 Saeki H01L 21/68707
414/744.5
D639,323 S * 6/2011 Yoshino D15/199
8,016,542 B2 * 9/2011 Cox H01L 21/67742
414/744.5
8,297,907 B2 * 10/2012 Yazawa B25J 15/028
414/744.5
RE43,781 E * 11/2012 Yoshino D15/199
8,376,685 B2 * 2/2013 Pietrantonio H01L 21/68707
414/744.5
RE44,567 E * 11/2013 Yoshino D15/199
8,668,428 B2 * 3/2014 Hino H01L 21/67742
414/744.5

(Continued)

(30) **Foreign Application Priority Data**

Mar. 27, 2019 (JP) 2019-006436

- (51) **LOC (12) Cl.** **15-99**
- (52) **U.S. Cl.**
USPC **D15/199**
- (58) **Field of Classification Search**
USPC 15/122, 199; 21/578-583; 32/21; 34/34
CPC B25J 9/046; B25J 9/042; B25J 9/06; H01L
21/67766
See application file for complete search history.

(56) **References Cited**

U.S. PATENT DOCUMENTS

5,151,007 A * 9/1992 Maruo B25J 9/042
414/744.2
D409,636 S * 5/1999 Genov D15/199
5,950,495 A * 9/1999 Ogawa B25J 9/06
414/744.5
D433,042 S * 10/2000 Kawahara D15/199
6,190,114 B1 * 2/2001 Ogawa B25J 9/042
414/744.5
6,655,901 B2 * 12/2003 Tsubota B25J 9/042
414/744.3
D552,138 S * 10/2007 Kondo D15/199
D625,748 S * 10/2010 Yoshino D15/199

FOREIGN PATENT DOCUMENTS

JP D1117878 8/2001
JP D1118299 8/2001

(Continued)

Primary Examiner — Patricia A Palasik

(74) *Attorney, Agent, or Firm* — Schwegman, Lundberg & Woessner, P.A.

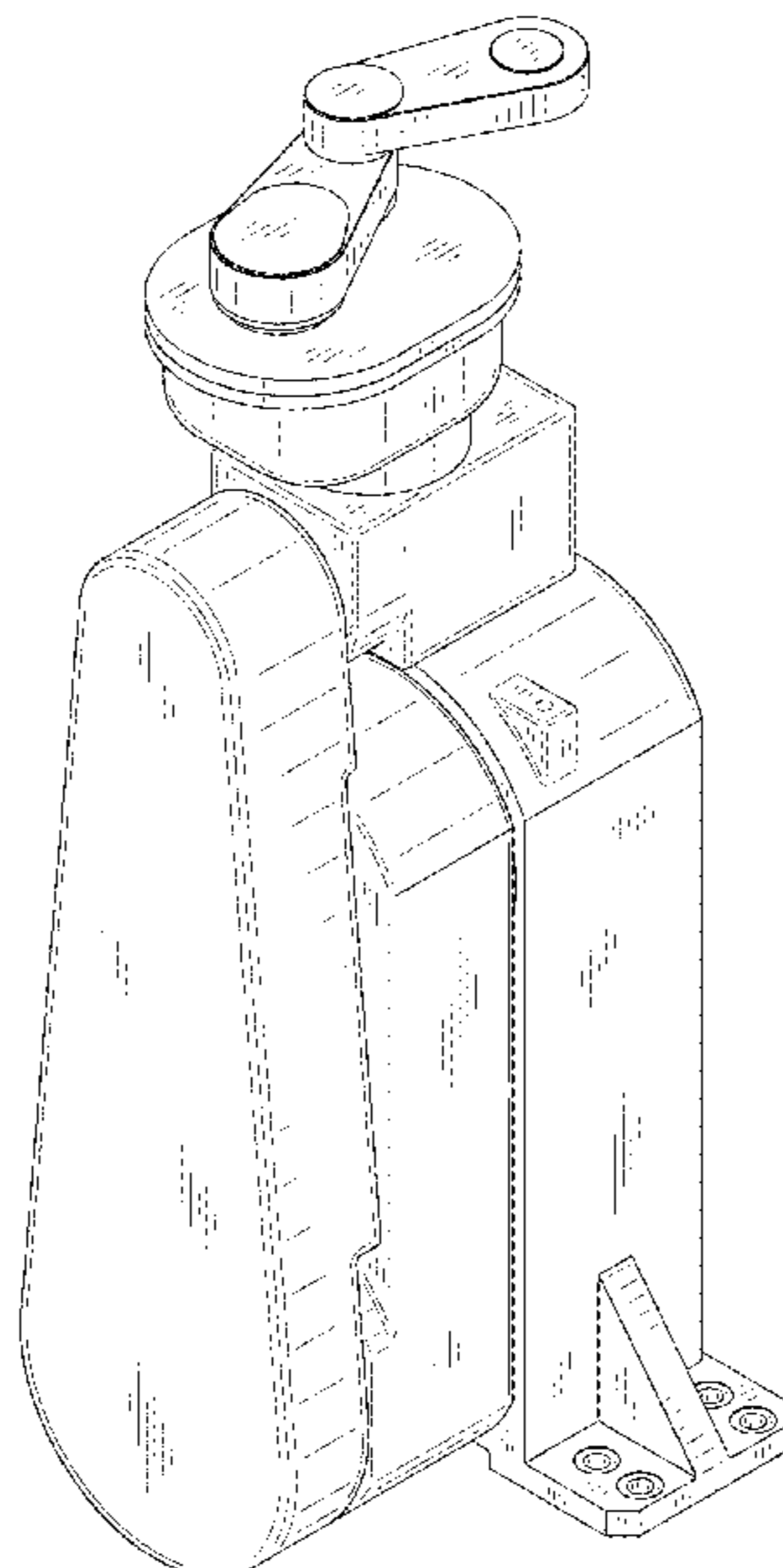
(57) **CLAIM**

The ornamental design for an industrial robot, as shown and described.

DESCRIPTION

FIG. 1 is a front, top, and right side perspective view of our design for an industrial robot;
FIG. 2 is a front view thereof;
FIG. 3 is a rear view thereof;
FIG. 4 is a top plan view thereof;
FIG. 5 is a bottom plan view thereof;
FIG. 6 is a right side view thereof; and,
FIG. 7 is a left side view thereof.
The broken lines illustrate portions of the industrial robot that form no part of the claimed design.

1 Claim, 7 Drawing Sheets



(56)

References Cited

U.S. PATENT DOCUMENTS

8,784,033	B2 *	7/2014	Kremerman	H01L 21/67742
				414/744.5
D711,447	S *	8/2014	Kasahara	D15/199
D712,448	S *	9/2014	Kasahara	D15/199
D749,159	S *	2/2016	Liu	D15/199
9,254,566	B2 *	2/2016	Hashimoto	B25J 11/0095
D764,557	S *	8/2016	Yamada	D15/199
D818,019	S *	5/2018	Huang	D15/199
2005/0079043	A1 *	4/2005	Ogawa	B25J 18/04
				414/744.2
2008/0118338	A1 *	5/2008	Huang	B25J 9/1692
				414/744.3
2008/0304942	A1 *	12/2008	Yazawa	H01L 21/68707
				414/217
2012/0189419	A1 *	7/2012	Yazawa	B25J 9/042
				414/744.2

FOREIGN PATENT DOCUMENTS

JP	D1118300	8/2001
JP	D1118301	8/2001
JP	D1118302	8/2001
JP	D1507858	9/2014
JP	D1507859	9/2014

* cited by examiner

FIG. 1

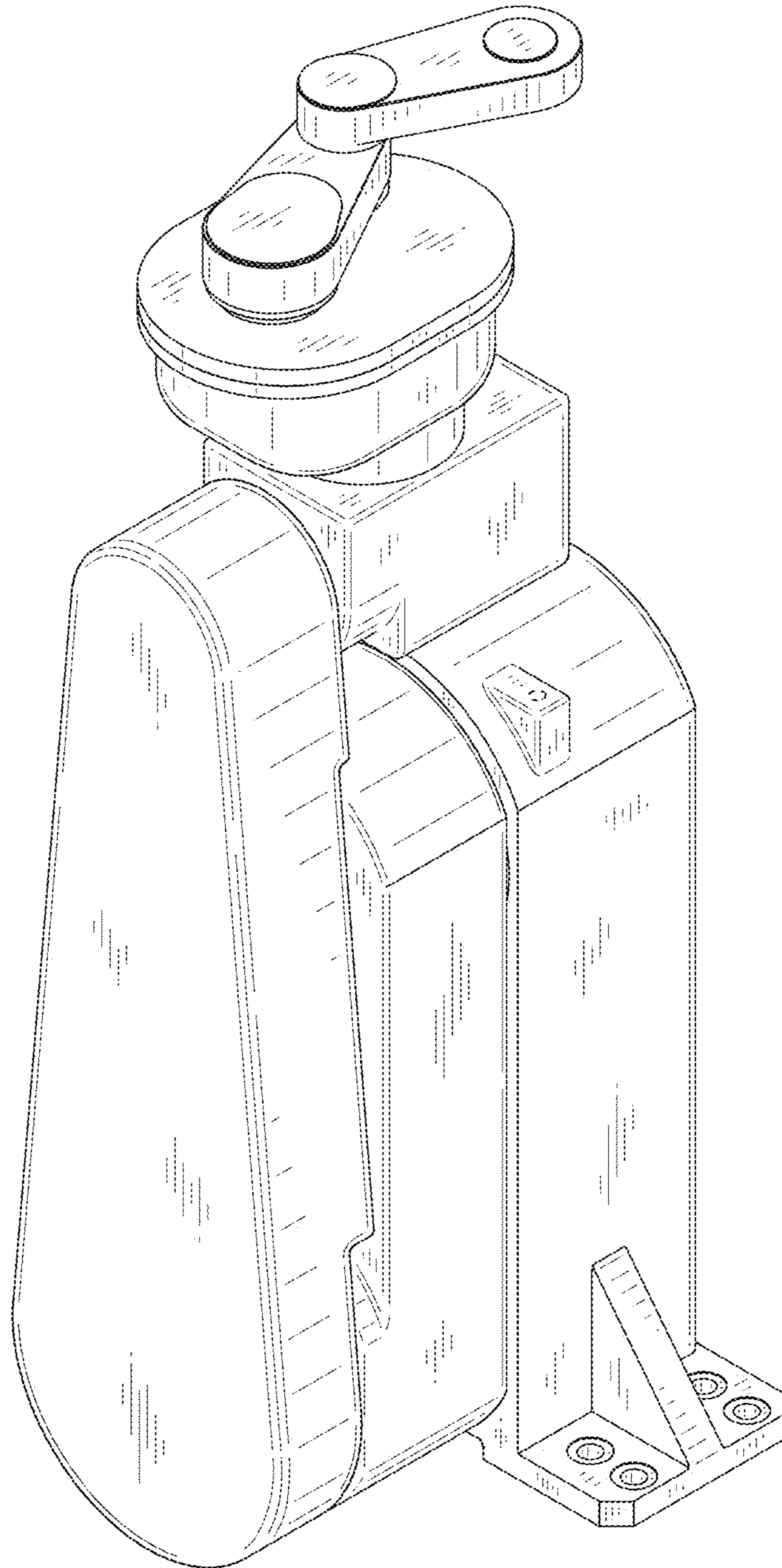


FIG.2

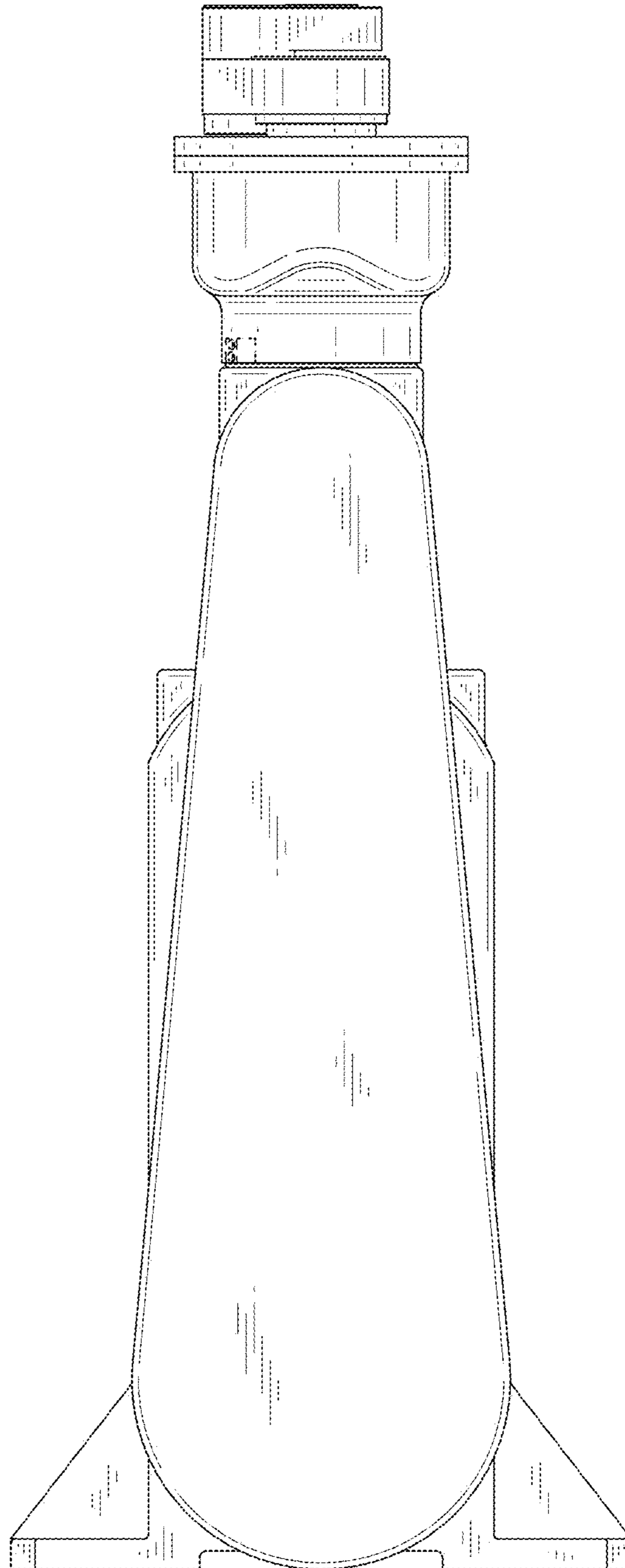


FIG.3

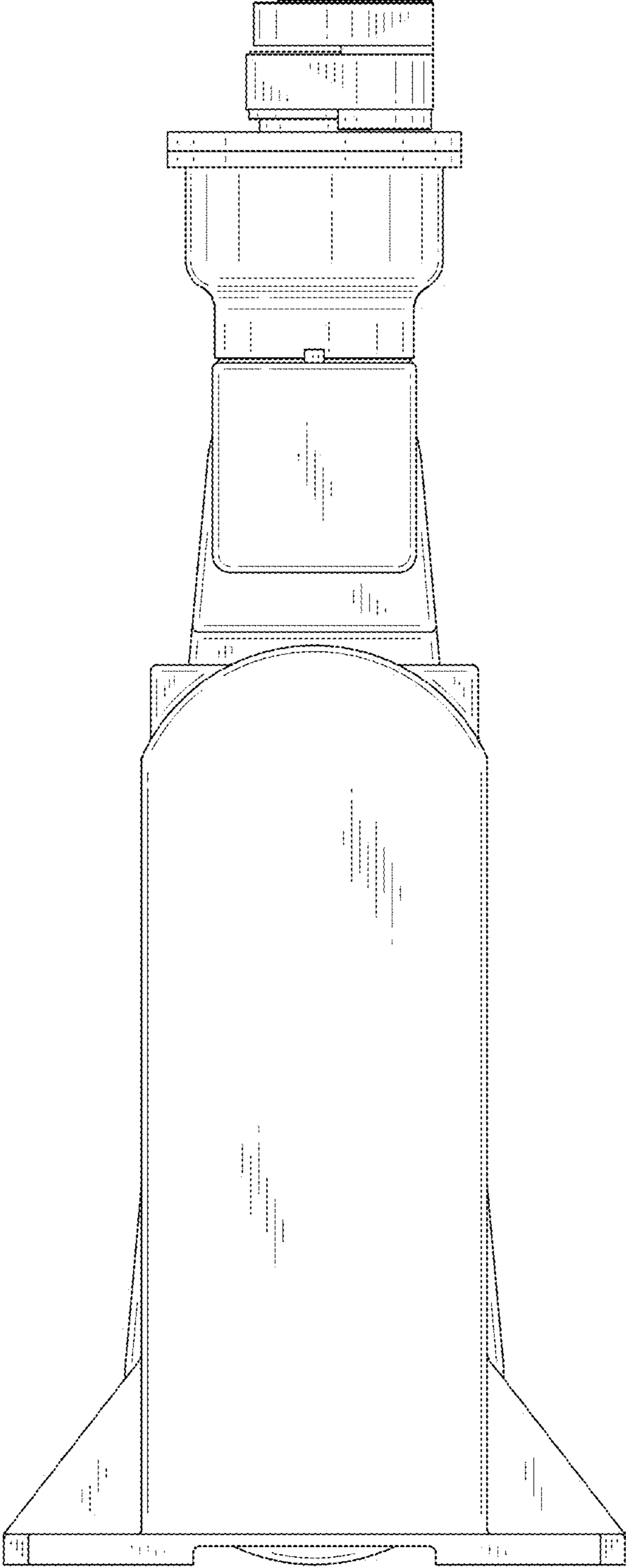


FIG.4

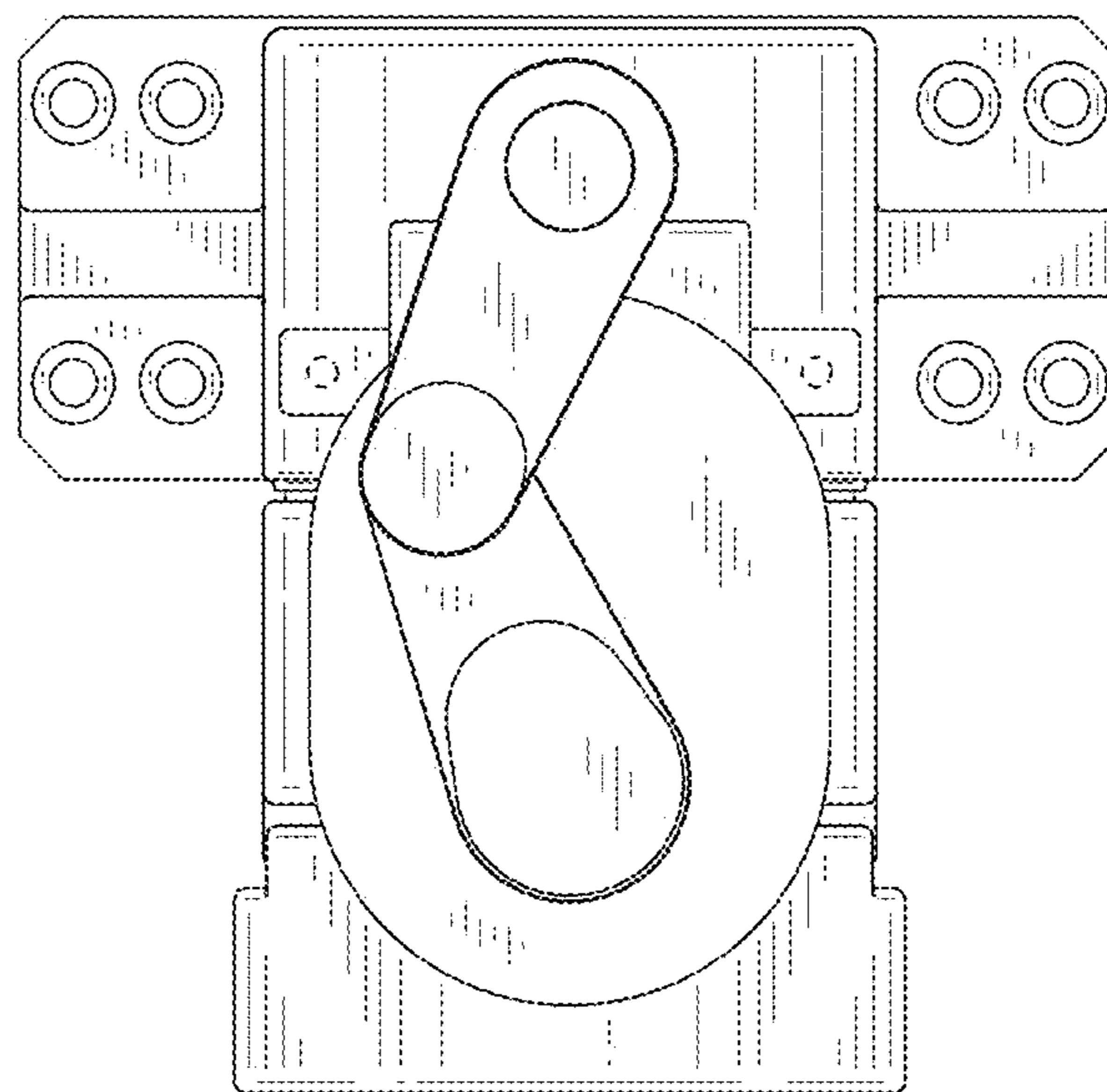


FIG.5

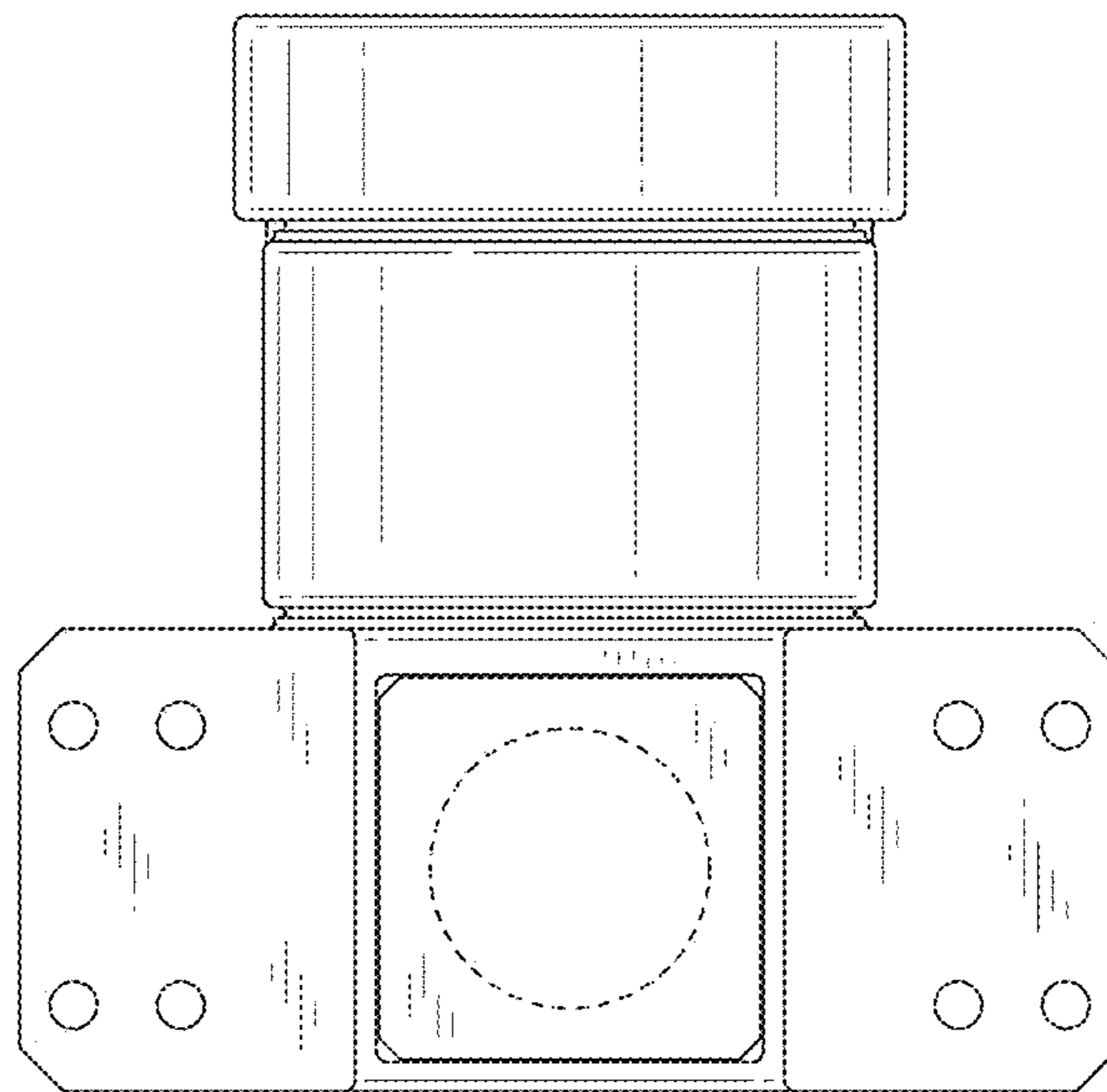


FIG.6

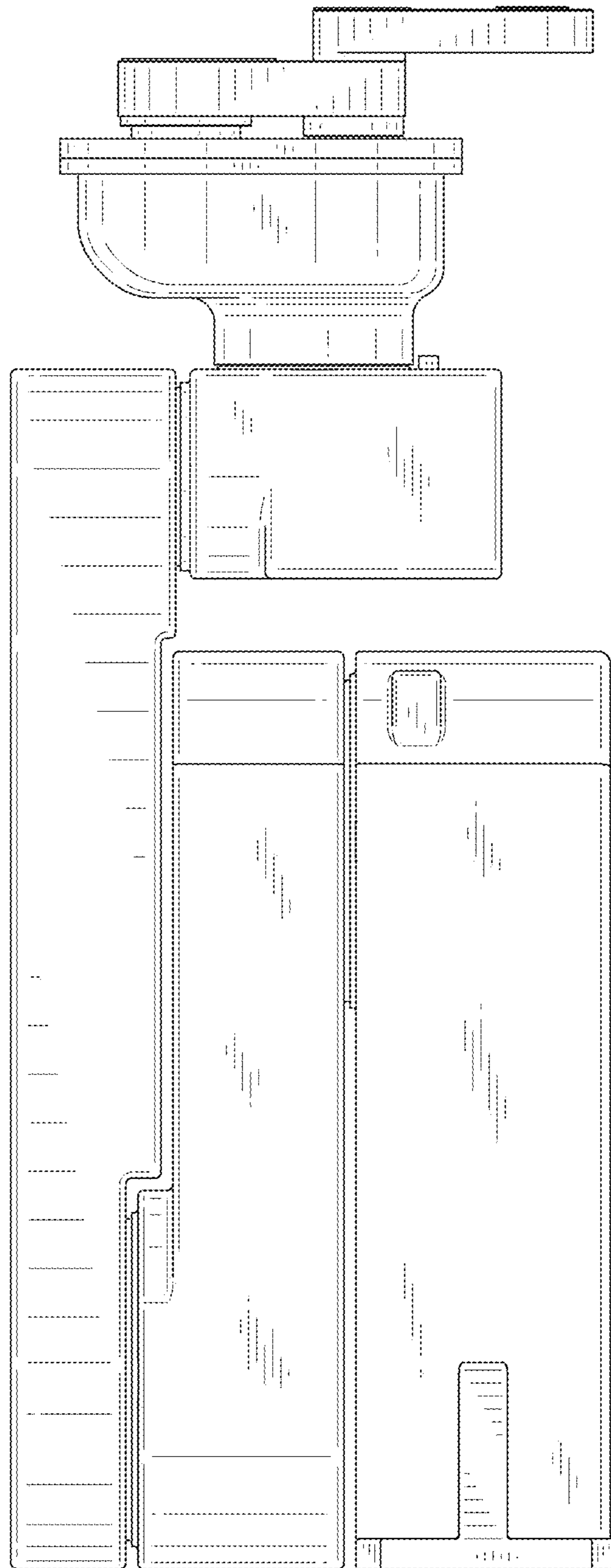


FIG. 7

