



US00D902273S

(12) **United States Design Patent**  
**Iura et al.**

(10) **Patent No.:** **US D902,273 S**

(45) **Date of Patent:** **\*\* Nov. 17, 2020**

(54) **INDUSTRIAL ROBOT**

(71) Applicant: **Daihen Corporation**, Osaka (JP)

(72) Inventors: **Jun Iura**, Osaka (JP); **Kunio Fukuma**,  
Osaka (JP); **Daisuke Sado**, Osaka (JP)

(73) Assignee: **Daihen Corporation**, Osaka (JP)

(\*\*) Term: **15 Years**

(21) Appl. No.: **29/703,307**

(22) Filed: **Aug. 26, 2019**

(30) **Foreign Application Priority Data**

Mar. 27, 2019 (JP) ..... 2019-006435

(51) **LOC (12) Cl.** ..... **15-99**

(52) **U.S. Cl.**  
USPC ..... **D15/199**

(58) **Field of Classification Search**  
USPC ..... D15/122, 199; D21/578-583; D32/21;  
D34/34  
CPC .... B25J 9/046; B25J 9/042; B25J 9/06; H01L  
21/67766  
See application file for complete search history.

(56) **References Cited**

**U.S. PATENT DOCUMENTS**

- 5,151,007 A \* 9/1992 Maruo ..... B25J 9/042  
414/744.2
- D409,636 S \* 5/1999 Genov ..... D15/199
- 5,950,495 A \* 9/1999 Ogawa ..... B25J 9/06  
414/744.5
- D433,042 S \* 10/2000 Kawahara ..... D15/199
- 6,190,114 B1 \* 2/2001 Ogawa ..... B25J 9/042  
414/744.5
- 6,655,901 B2 \* 12/2003 Tsubota ..... B25J 9/042  
414/744.3
- D552,138 S \* 10/2007 Kondo ..... D15/199

- D625,748 S \* 10/2010 Yoshino ..... D15/199
- 7,837,425 B2 \* 11/2010 Saeki ..... H01L 21/68707  
414/744.5
- D639,323 S \* 6/2011 Yoshino ..... D15/199
- 8,016,542 B2 \* 9/2011 Cox ..... H01L 21/67742  
414/744.5
- 8,297,907 B2 \* 10/2012 Yazawa ..... B25J 15/028  
414/744.5
- RE43,781 E \* 11/2012 Yoshino ..... D15/199
- 8,376,685 B2 \* 2/2013 Pietrantonio ..... H01L 21/68707  
414/744.5
- RE44,567 E \* 11/2013 Yoshino ..... D15/199
- 8,668,428 B2 \* 3/2014 Hino ..... H01L 21/67742  
414/744.5

(Continued)

**FOREIGN PATENT DOCUMENTS**

- JP D1117878 8/2001
- JP D1118299 8/2001

(Continued)

*Primary Examiner* — Patricia A Palasik

(74) *Attorney, Agent, or Firm* — Schwegman Lundberg & Woessner, P.A.

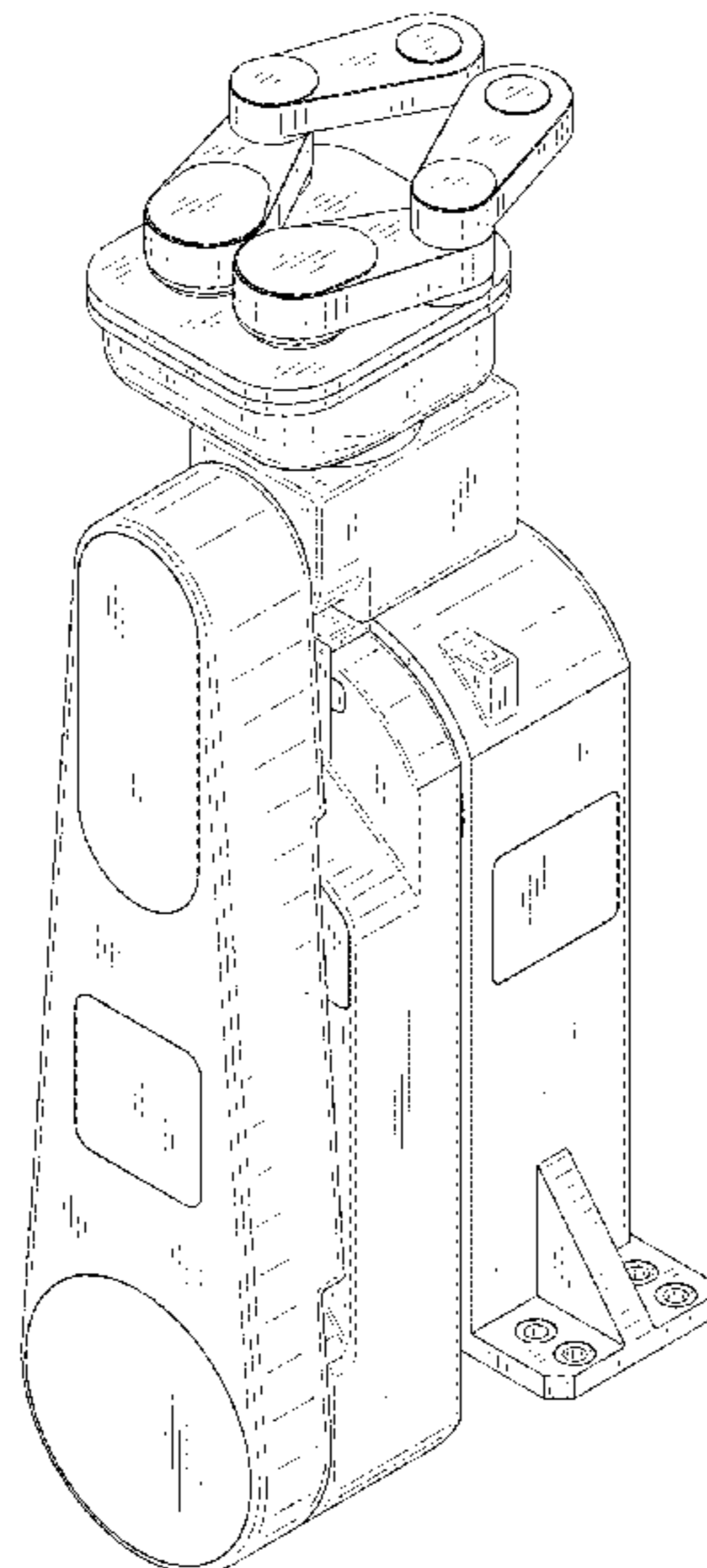
(57) **CLAIM**

The ornamental design for an industrial robot, as shown and described.

**DESCRIPTION**

FIG. 1 is a front, top, and right side perspective view of our design for an industrial robot;  
 FIG. 2 is a front view thereof;  
 FIG. 3 is a rear view thereof;  
 FIG. 4 is a top plan view thereof;  
 FIG. 5 is a bottom plan view thereof;  
 FIG. 6 is a right side view thereof; and,  
 FIG. 7 is a left side view thereof.  
 The broken lines illustrate portions of the industrial robot that form no part of the claimed design.

**1 Claim, 7 Drawing Sheets**



(56)

**References Cited**

U.S. PATENT DOCUMENTS

8,784,033 B2 \* 7/2014 Kremerman ..... H01L 21/67742  
 414/744.5  
 D711,447 S \* 8/2014 Kasahara ..... D15/199  
 D712,448 S \* 9/2014 Kasahara ..... D15/199  
 D749,159 S \* 2/2016 Liu ..... D15/199  
 9,254,566 B2 \* 2/2016 Hashimoto ..... B25J 11/0095  
 D764,557 S \* 8/2016 Yamada ..... D15/199  
 D818,019 S \* 5/2018 Huang ..... D15/199  
 2005/0079043 A1 \* 4/2005 Ogawa ..... B25J 18/04  
 414/744.2  
 2008/0118338 A1 \* 5/2008 Huang ..... B25J 9/1692  
 414/744.3  
 2008/0304942 A1 \* 12/2008 Yazawa ..... H01L 21/68707  
 414/217  
 2012/0189419 A1 \* 7/2012 Yazawa ..... B25J 9/042  
 414/744.2

FOREIGN PATENT DOCUMENTS

JP D1118300 8/2001  
 JP D1118301 8/2001  
 JP D1118302 8/2001  
 JP D1507858 9/2014  
 JP D1507859 9/2014

\* cited by examiner

FIG. 1

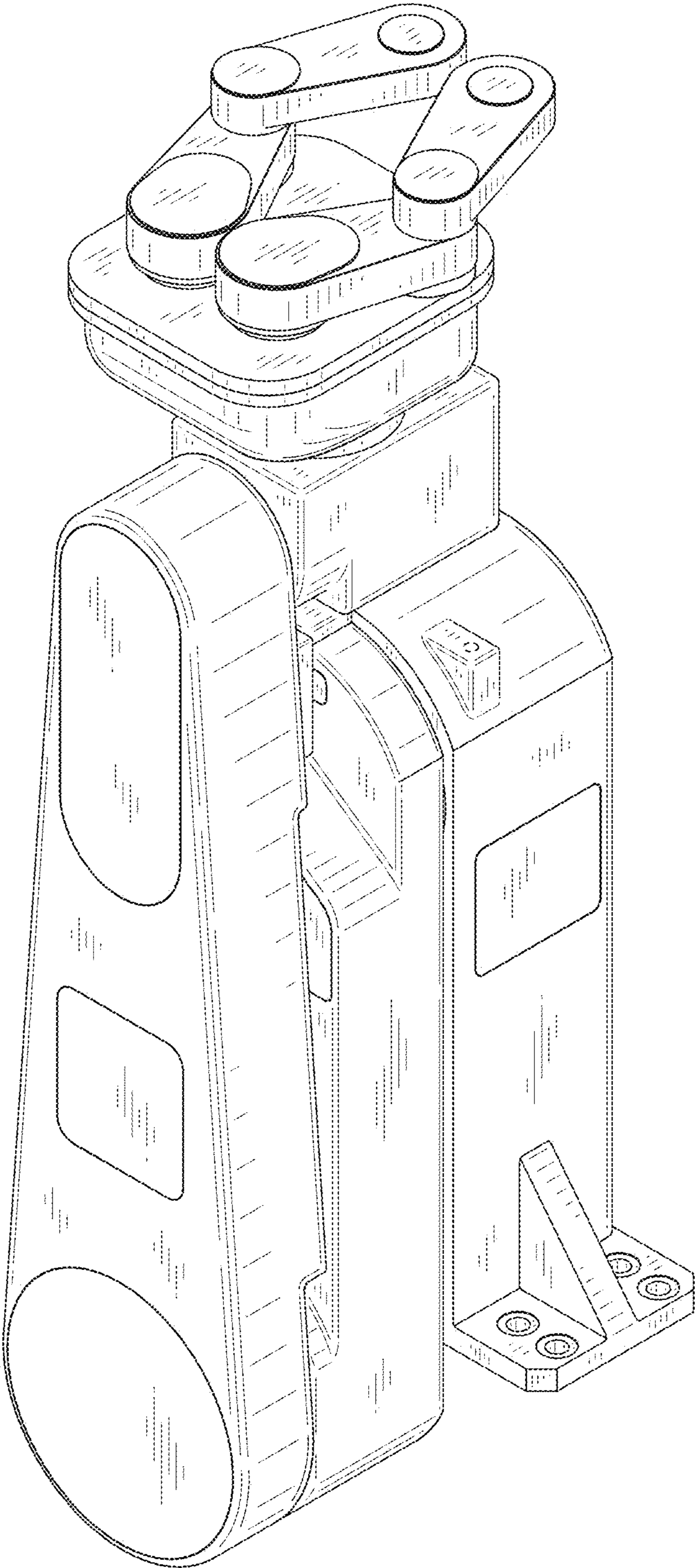


FIG.2

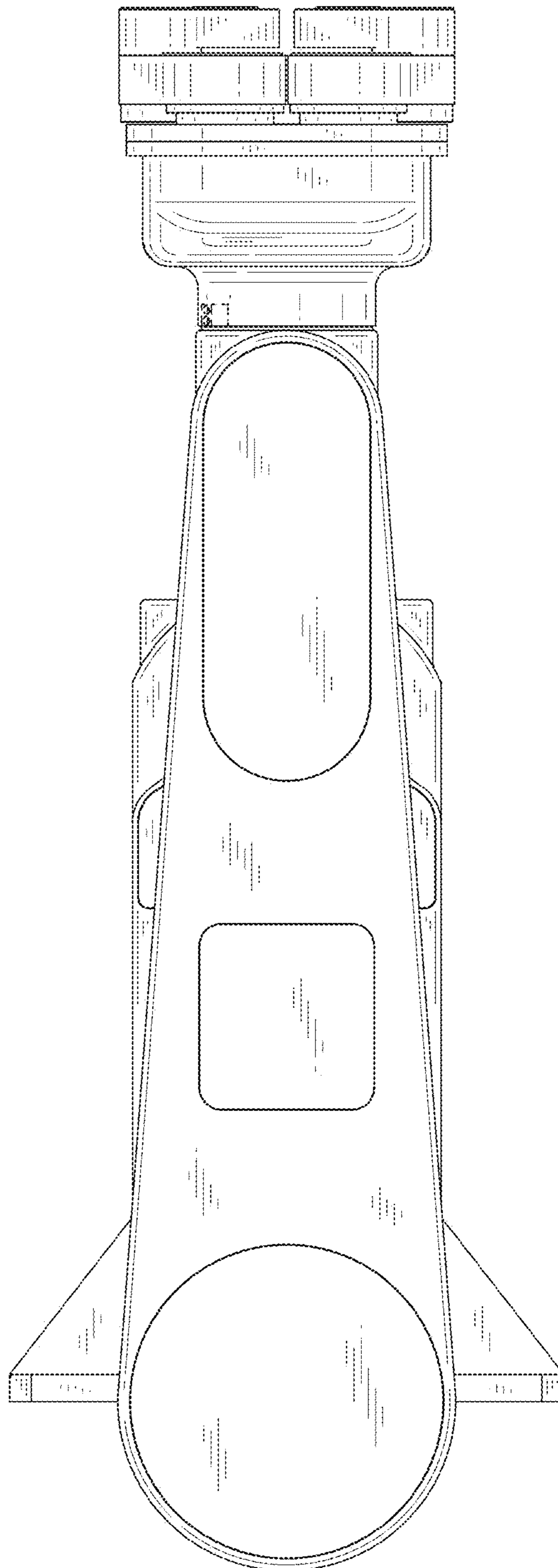


FIG.3

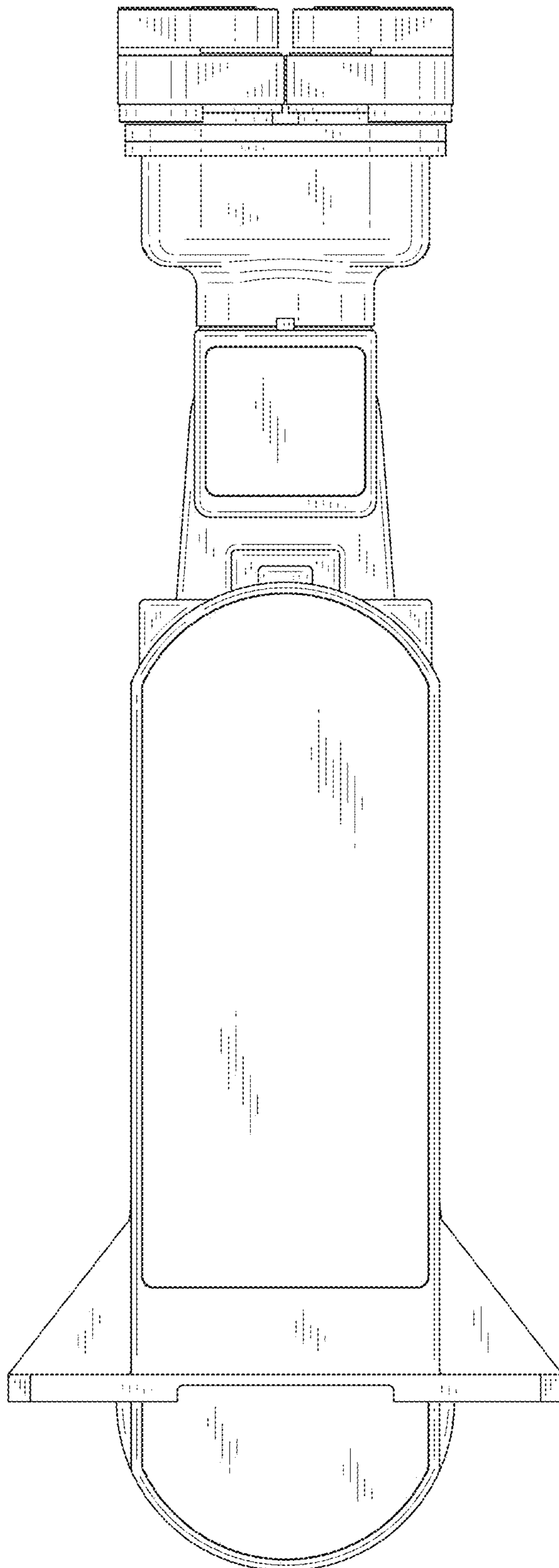


FIG.4

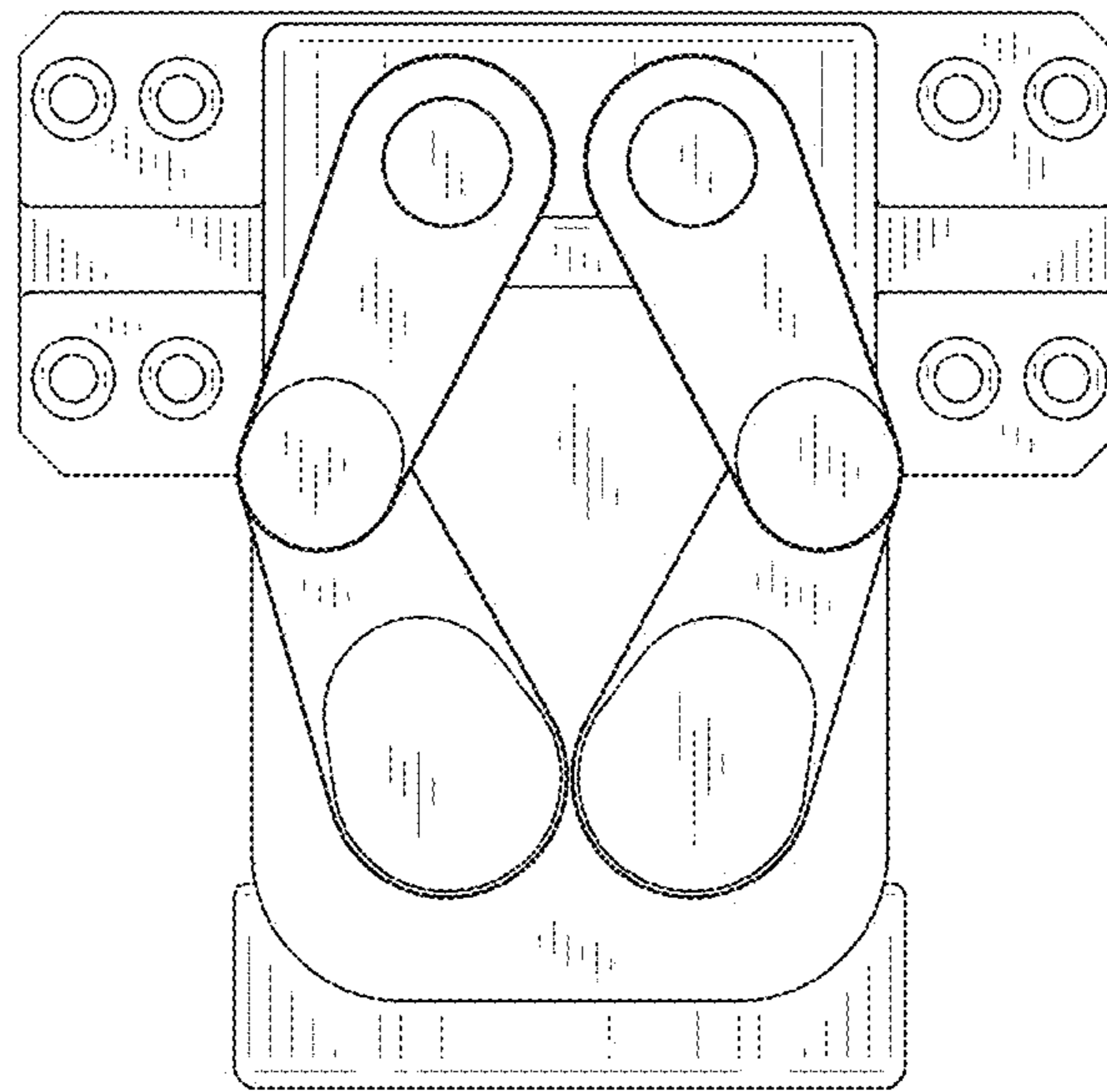


FIG.5

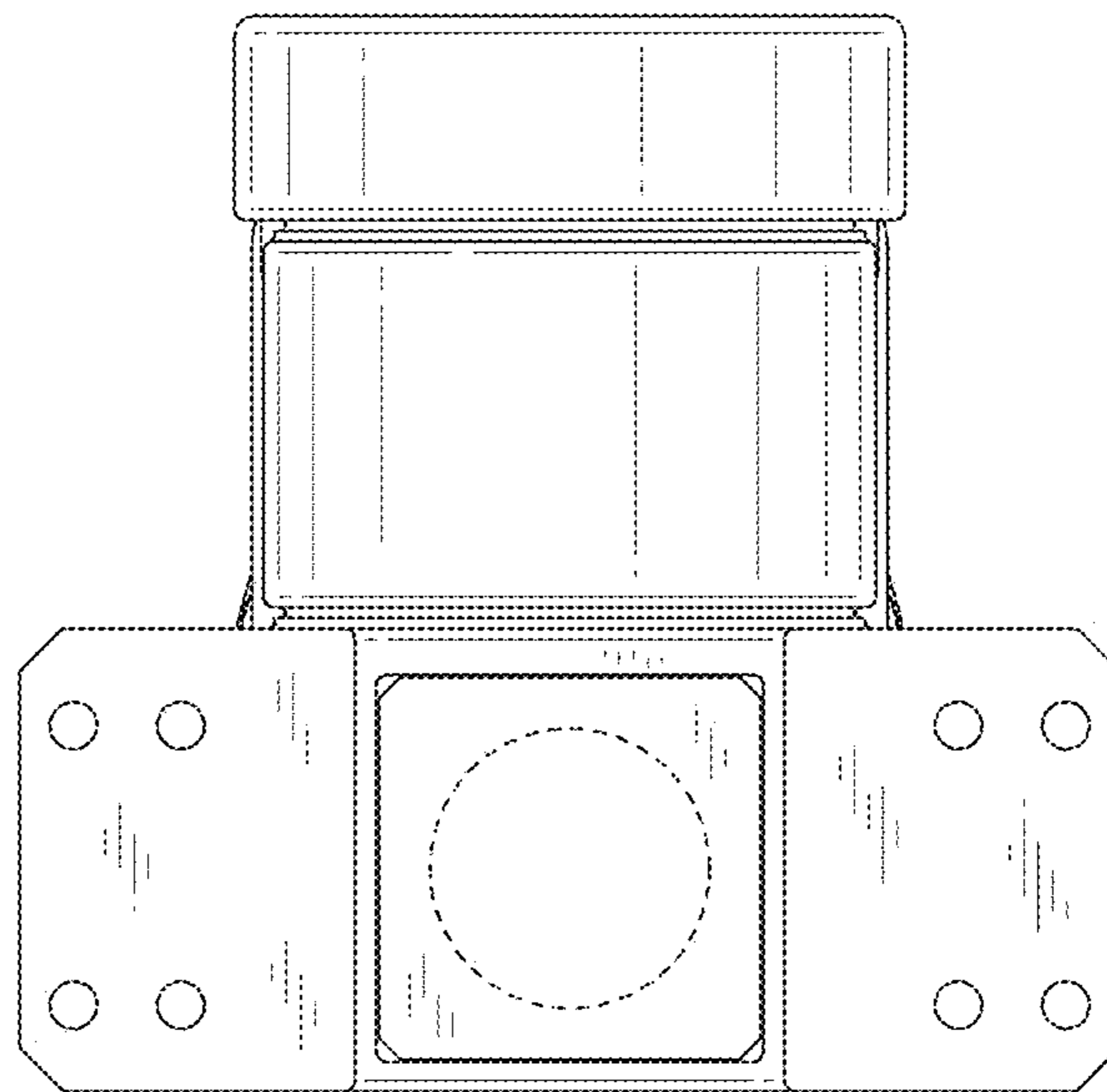


FIG.6

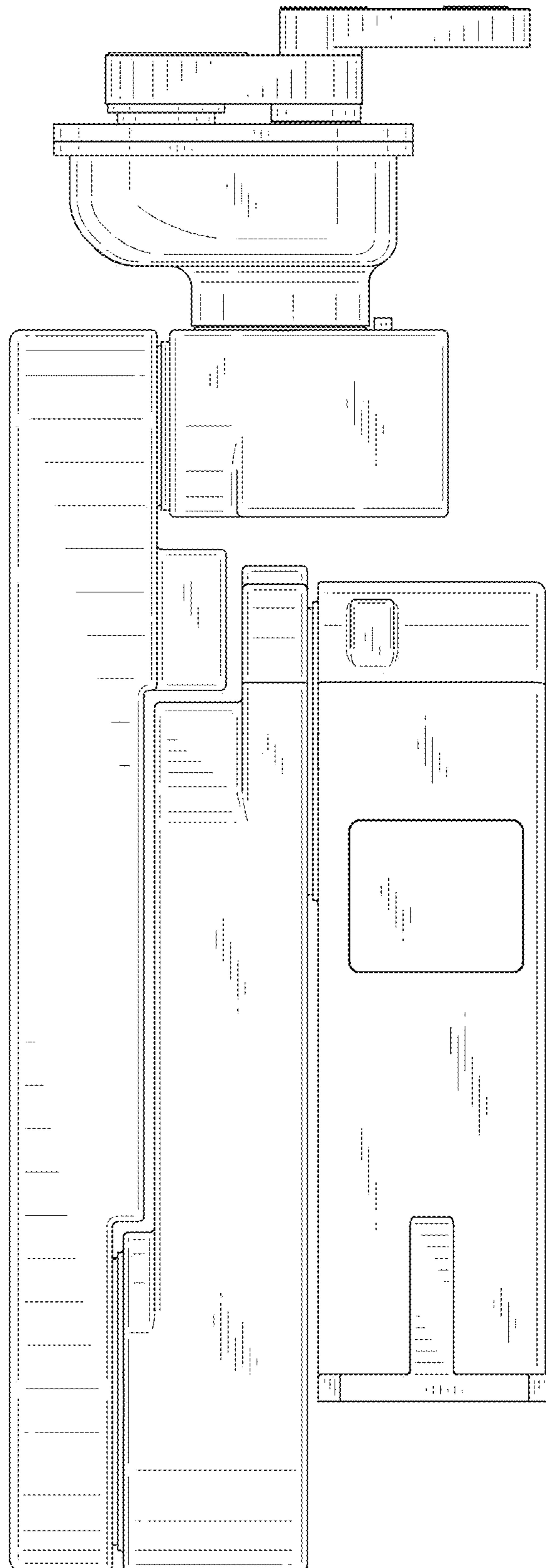




FIG.7

