

US00D902272S

(12) **United States Design Patent**
Cascajar Ordóñez

(10) **Patent No.:** **US D902,272 S**

(45) **Date of Patent:** **** Nov. 17, 2020**

- (54) **AUTOMATIC GUIDED VEHICLE**
- (71) Applicant: **ASTI Mobile Robotics SAU**, Burgos (ES)
- (72) Inventor: **Luis Cascajar Ordóñez**, Burgos (ES)
- (73) Assignee: **ASTI MOBILE ROBOTICS SAU**, Burgos (ES)
- (**) Term: **15 Years**
- (21) Appl. No.: **29/697,806**
- (22) Filed: **Jul. 11, 2019**
- (51) **LOC (12) Cl.** **15-99**
- (52) **U.S. Cl.**
USPC **D15/199; D34/34**
- (58) **Field of Classification Search**
USPC D15/199; D21/578-583, 621, 622; D32/21; D34/34
CPC B23K 9/133; B23K 9/287; B25J 9/0018; B25J 19/0025; Y10T 74/20; Y10T 74/20207; Y10T 74/20311; Y10T 74/20305; Y10S 901/01
See application file for complete search history.

- D810,799 S * 2/2018 Sokuza D15/199
- D812,663 S * 3/2018 Waters D15/199
- D837,852 S * 1/2019 Nilsson D15/199
- D839,331 S * 1/2019 Nilsson D15/199
- D843,888 S * 3/2019 Wang D12/16.1
- D856,389 S * 8/2019 Gayne D15/199
- D863,387 S * 10/2019 Wang D15/199
- D864,270 S * 10/2019 Hu D15/199
- D865,021 S * 10/2019 Hu D15/199
- D870,165 S * 12/2019 Hacikyan D15/124
- D871,475 S * 12/2019 Kolb D15/199
- D871,477 S * 12/2019 Kolb D15/199
- D871,478 S * 12/2019 Wang D15/199
- D873,173 S * 1/2020 Brucker D12/1
- D873,174 S * 1/2020 Sokuza D12/1
- D879,851 S * 3/2020 Li D15/199
- D880,550 S * 4/2020 Sokuza D15/199

(Continued)

FOREIGN PATENT DOCUMENTS

- CN 101885350 11/2010
- EP 1590272 8/2010

(Continued)

Primary Examiner — Patricia A Palasik
(74) *Attorney, Agent, or Firm* — Hayes Soloway PC

(57) **CLAIM**

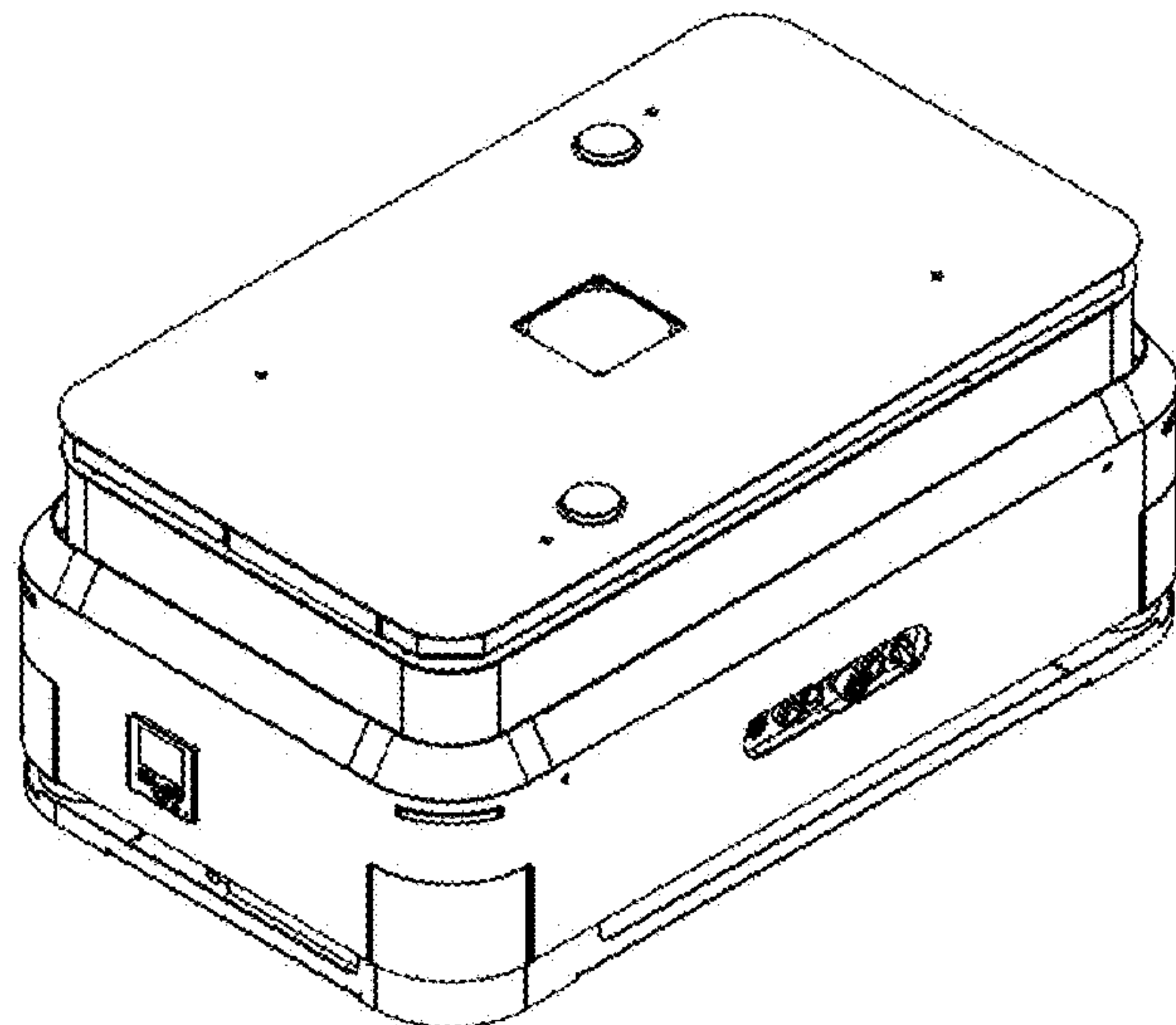
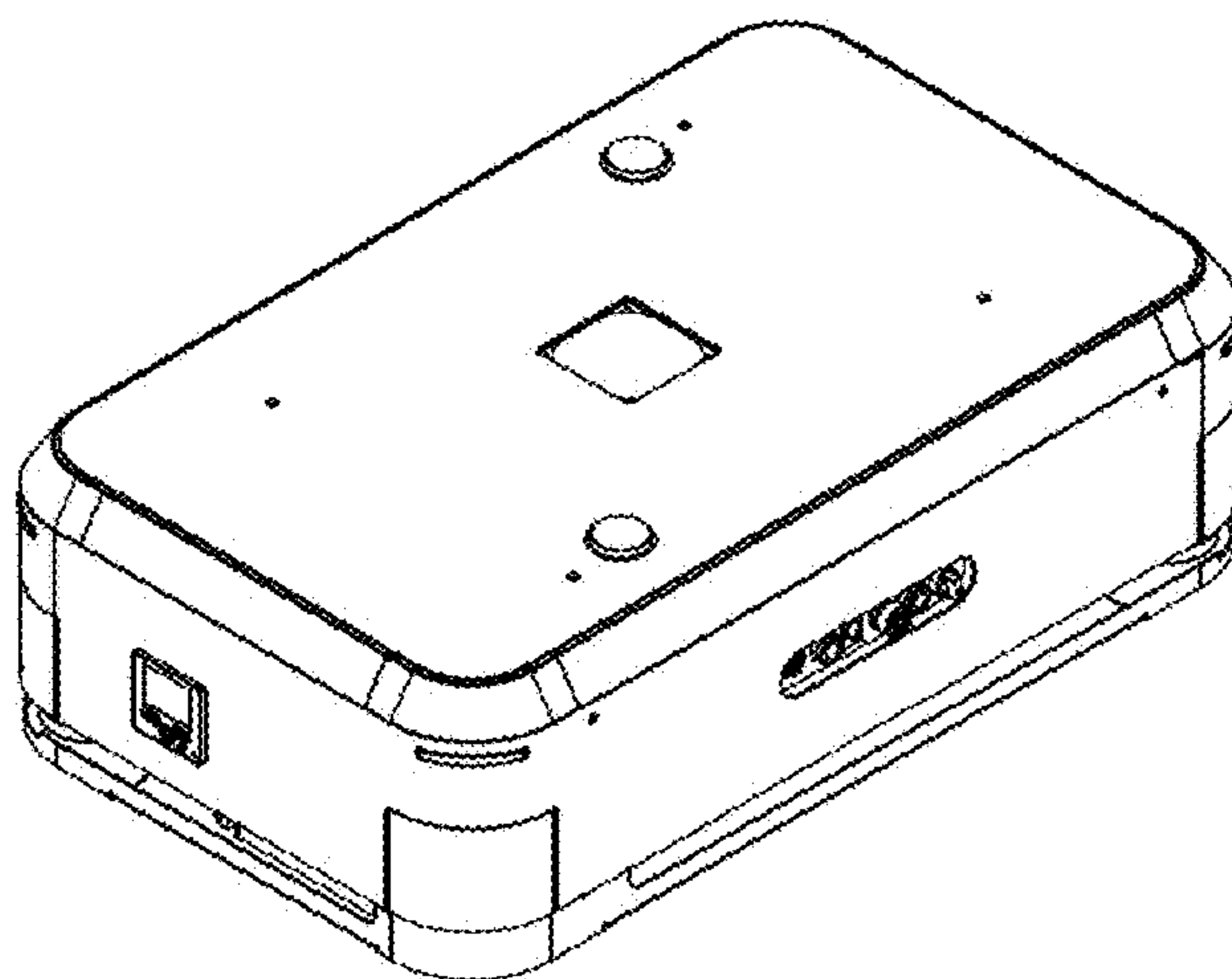
The ornamental design for an automatic guided vehicle, as shown and described.

DESCRIPTION

FIG. 1 is a perspective view of an automatic guided vehicle showing the new design;
FIG. 2 is a first side view thereof;
FIG. 3 is a second side view thereof;
FIG. 4 is a third side view thereof;
FIG. 5 is a fourth side view thereof;
FIG. 6 is a top view thereof; and,
FIG. 7 is a perspective view thereof in a raised configuration.

1 Claim, 7 Drawing Sheets

- (56) **References Cited**
U.S. PATENT DOCUMENTS
4,137,984 A * 2/1979 Jennings B62D 1/28 180/168
4,221,273 A 9/1980 Finden
D295,105 S * 4/1988 Dawson D34/18
5,127,486 A * 7/1992 Yardley B62D 1/28 180/168
D625,059 S * 10/2010 Morenstein D32/21
8,898,844 B1 * 12/2014 Dooley A47L 11/10 15/319
D722,631 S * 2/2015 Stone D12/1
D743,647 S * 11/2015 Heck D32/21



(56)

References Cited

U.S. PATENT DOCUMENTS

D886,173 S * 6/2020 Sokuza D15/199
D887,468 S * 6/2020 Hirvesaar D15/199
2015/0224640 A1* 8/2015 Vu B25J 19/023
700/259
2017/0038776 A1* 2/2017 Gariepy G05D 1/0022
2018/0099810 A1* 4/2018 Wu B66F 3/08
2019/0270472 A1* 9/2019 Akamatsu B62B 5/0093
2019/0332115 A1* 10/2019 Lim G06T 7/74

FOREIGN PATENT DOCUMENTS

EP 2044495 10/2011
EP 2744741 5/2017
JP 36231524 2/1987

* cited by examiner

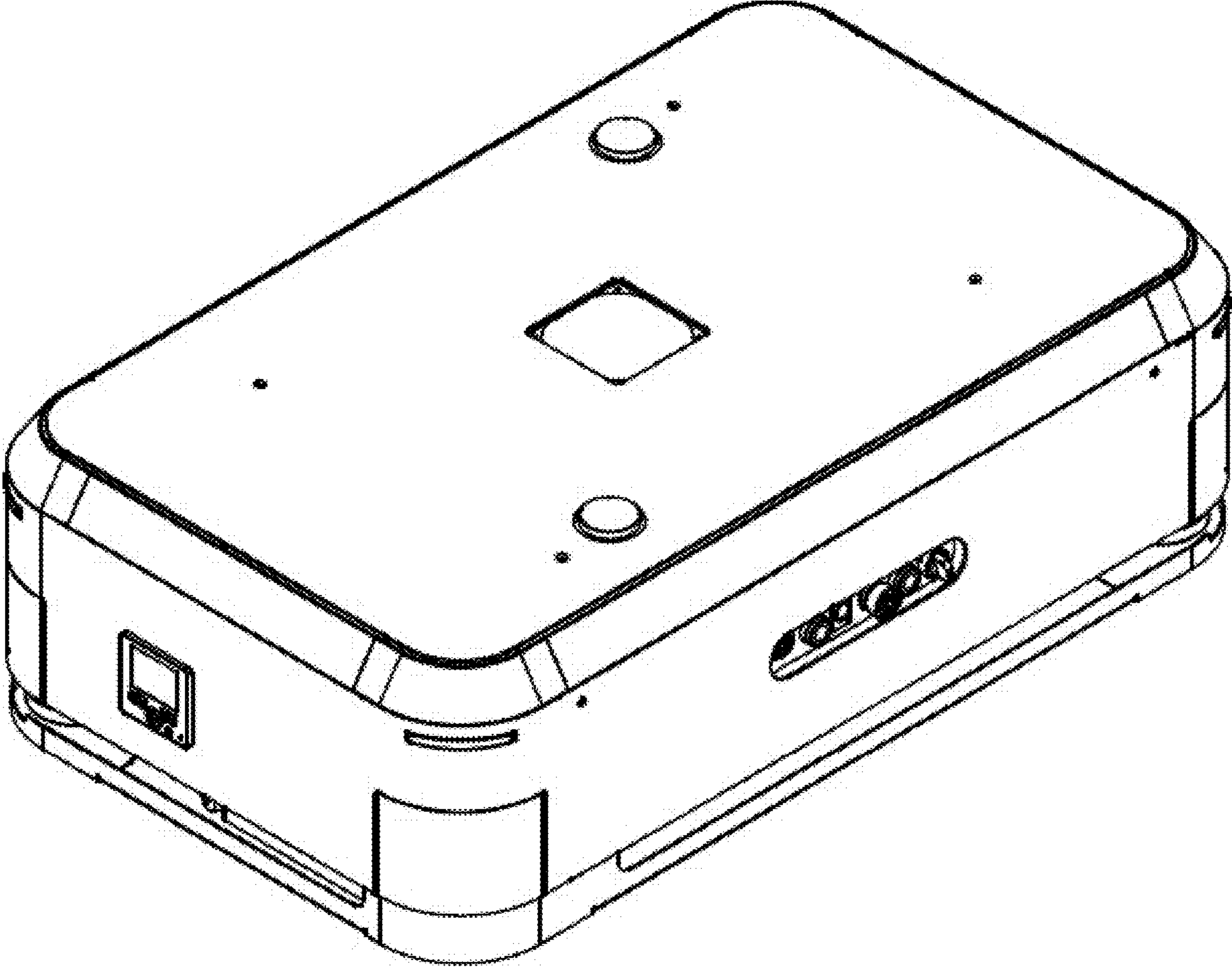


FIG. 1

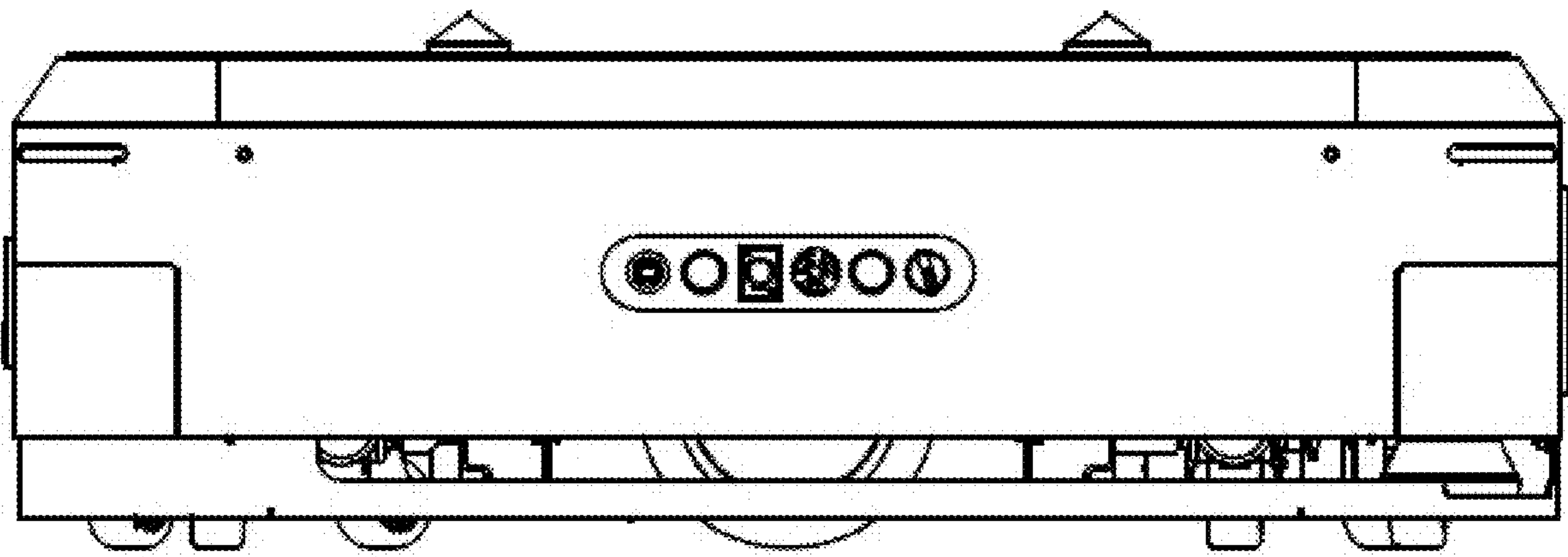


FIG. 2

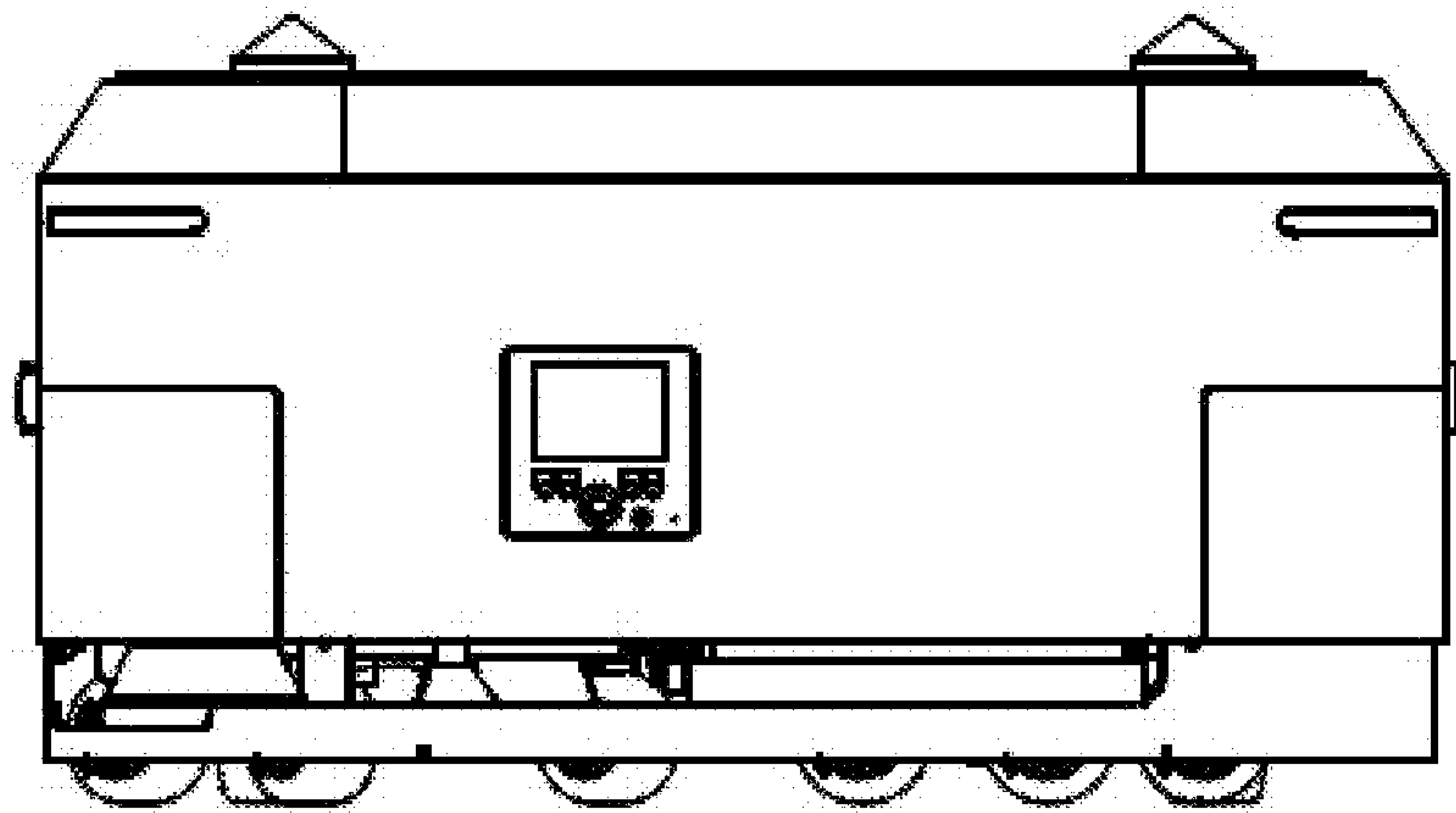


FIG. 3

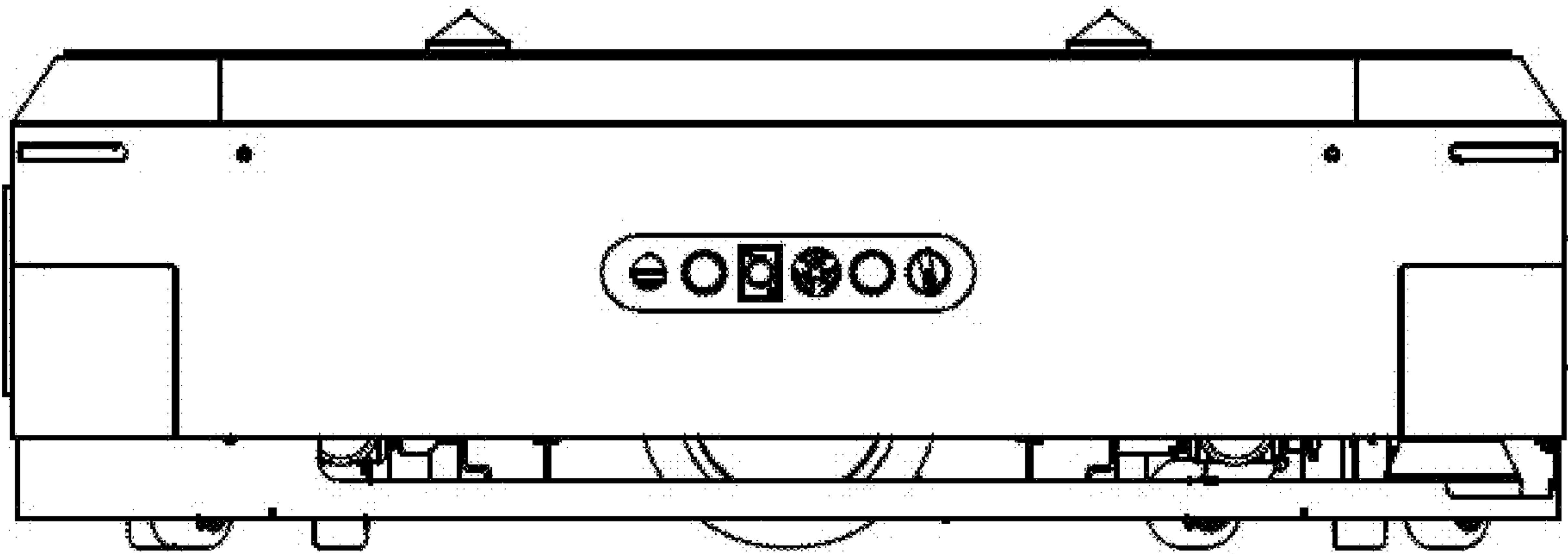


FIG. 4

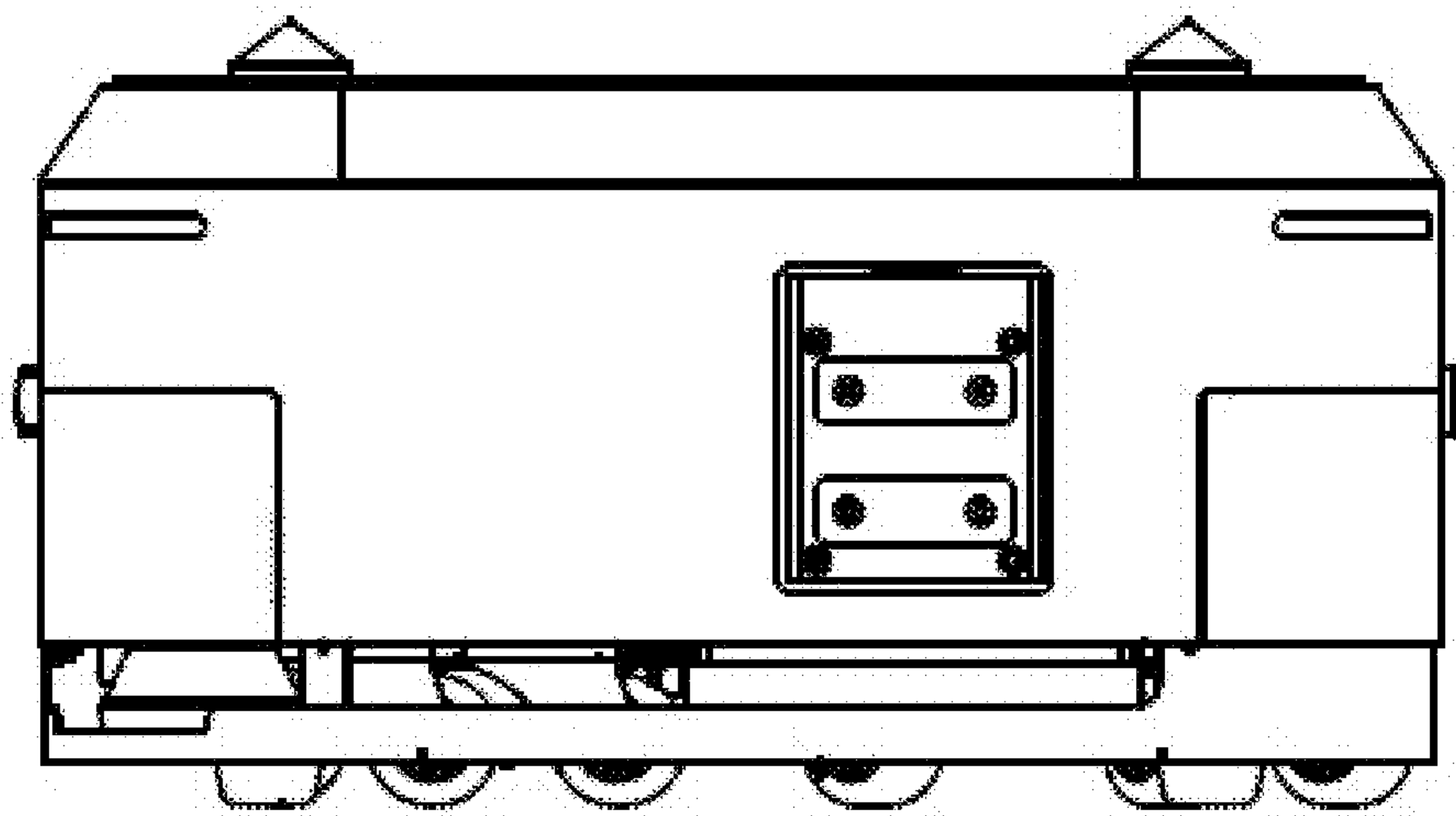


FIG. 5

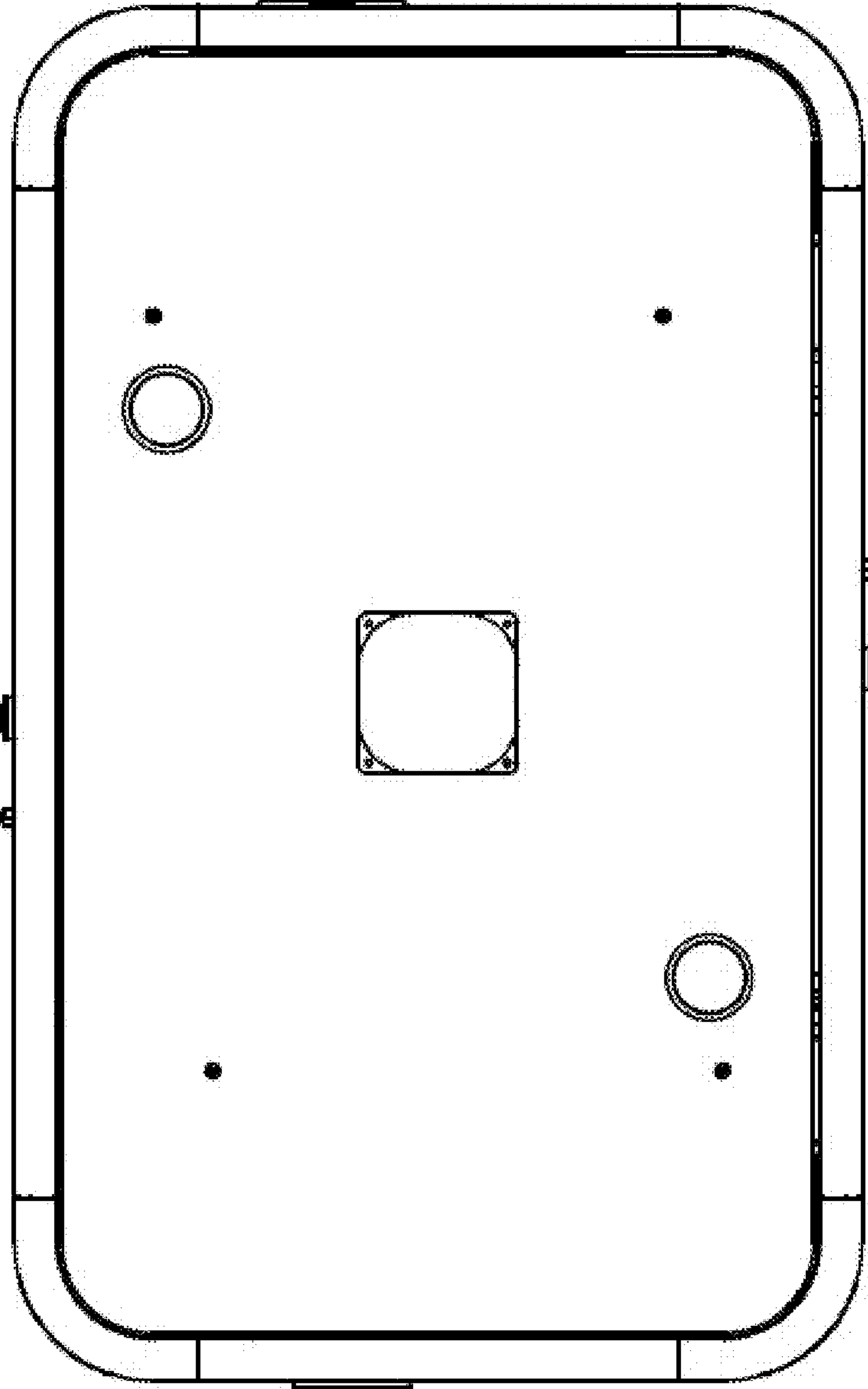


FIG. 6

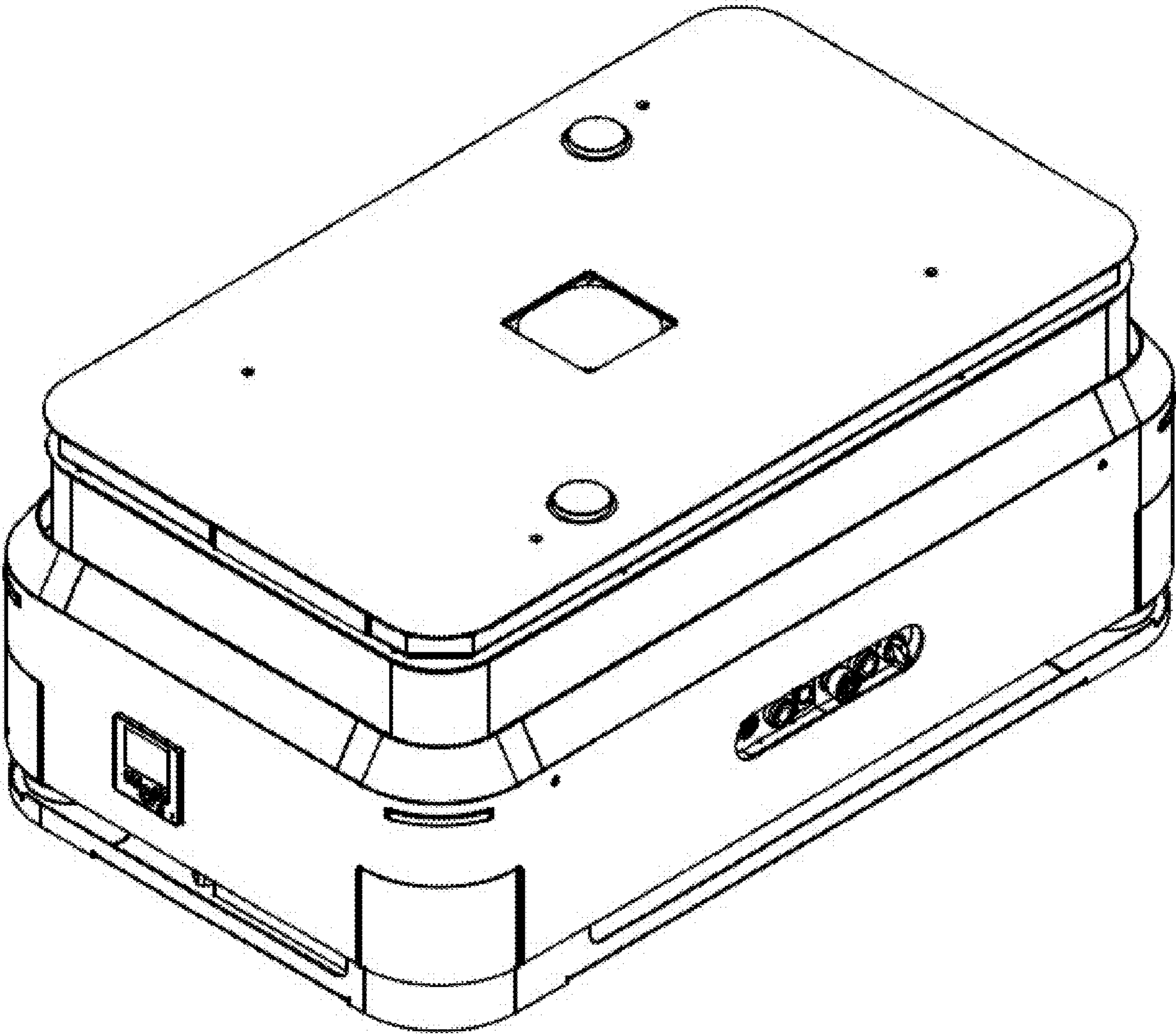


FIG. 7

UNITED STATES PATENT AND TRADEMARK OFFICE
CERTIFICATE OF CORRECTION

PATENT NO. : D902,272 S
APPLICATION NO. : 29/697806
DATED : November 17, 2020
INVENTOR(S) : Luis Cascajar Ordóñez

Page 1 of 1

It is certified that error appears in the above-identified patent and that said Letters Patent is hereby corrected as shown below:

On the Title Page

Insert this in the Foreign Priority:

Related Foreign Application Data

EUROPEAN UNION INTELLECTUAL PROPERTY OFFICE (EUIPO) No. 005993532-0001 Filing

Date: 01-11-2019

Signed and Sealed this
Seventeenth Day of August, 2021



Drew Hirshfeld
*Performing the Functions and Duties of the
Under Secretary of Commerce for Intellectual Property and
Director of the United States Patent and Trademark Office*