



US00D902269S

(12) **United States Design Patent** (10) **Patent No.:** **US D902,269 S**
Marburger (45) **Date of Patent:** **** Nov. 17, 2020**

(54) **ADJUSTABLE ANGLE WORKPIECE HOLDING SQUARE**

Primary Examiner — Patricia A Palasik
(74) *Attorney, Agent, or Firm* — E J Asbury III, LLC

(71) Applicant: **Jason A. Marburger**, Spokane, WA (US)

(57) **CLAIM**

The ornamental design for an adjustable angle workpiece holding square, as shown and described.

(72) Inventor: **Jason A. Marburger**, Spokane, WA (US)

DESCRIPTION

(**) Term: **15 Years**

(21) Appl. No.: **29/727,223**

(22) Filed: **Mar. 9, 2020**

Related U.S. Application Data

(63) Continuation of application No. 15/707,628, filed on Sep. 18, 2017, now Pat. No. 10,639,757, and a continuation of application No. 15/707,746, filed on Sep. 18, 2017, now Pat. No. 10,646,973.

(51) **LOC (12) Cl.** **15-09**

(52) **U.S. Cl.**
USPC **D15/140**

(58) **Field of Classification Search**
USPC D8/70, 71, 74; D15/131, 132, 138, 140, D15/141
CPC B23B 47/28; B23B 39/06; B23B 47/287; B23B 49/04; B23B 2260/0487; B23B 2247/10; B23B 2247/12

See application file for complete search history.

(56) **References Cited**

U.S. PATENT DOCUMENTS

1,517,108 A *	11/1924	Drake	B27G 5/02
				83/760
1,517,706 A *	12/1924	Cary	B27G 5/02
				83/761
2,289,142 A *	7/1942	Parsons	B27G 5/02
				269/246

FIG. 1 is a front, left and top perspective view of the adjustable angle workpiece holding square, in a first configuration;

FIG. 2 is a front view thereof;

FIG. 3 is a back view thereof;

FIG. 4 is a right side view thereof;

FIG. 5 is a left side view thereof;

FIG. 6 is a top view thereof;

FIG. 7 is a bottom view thereof;

FIG. 8 is a front, left and top perspective view of the adjustable angle workpiece holding square, in a second configuration;

FIG. 9 is a front view thereof;

FIG. 10 is a back view thereof;

FIG. 11 is a right side view thereof;

FIG. 12 is a left side view thereof;

FIG. 13 is a top view thereof;

FIG. 14 is a bottom view thereof;

FIG. 15 is a front, left and top perspective view of the adjustable angle workpiece holding square, in a third configuration;

FIG. 16 is a front view thereof;

FIG. 17 is a back view thereof;

FIG. 18 is a right side view thereof;

FIG. 19 is a left side view thereof;

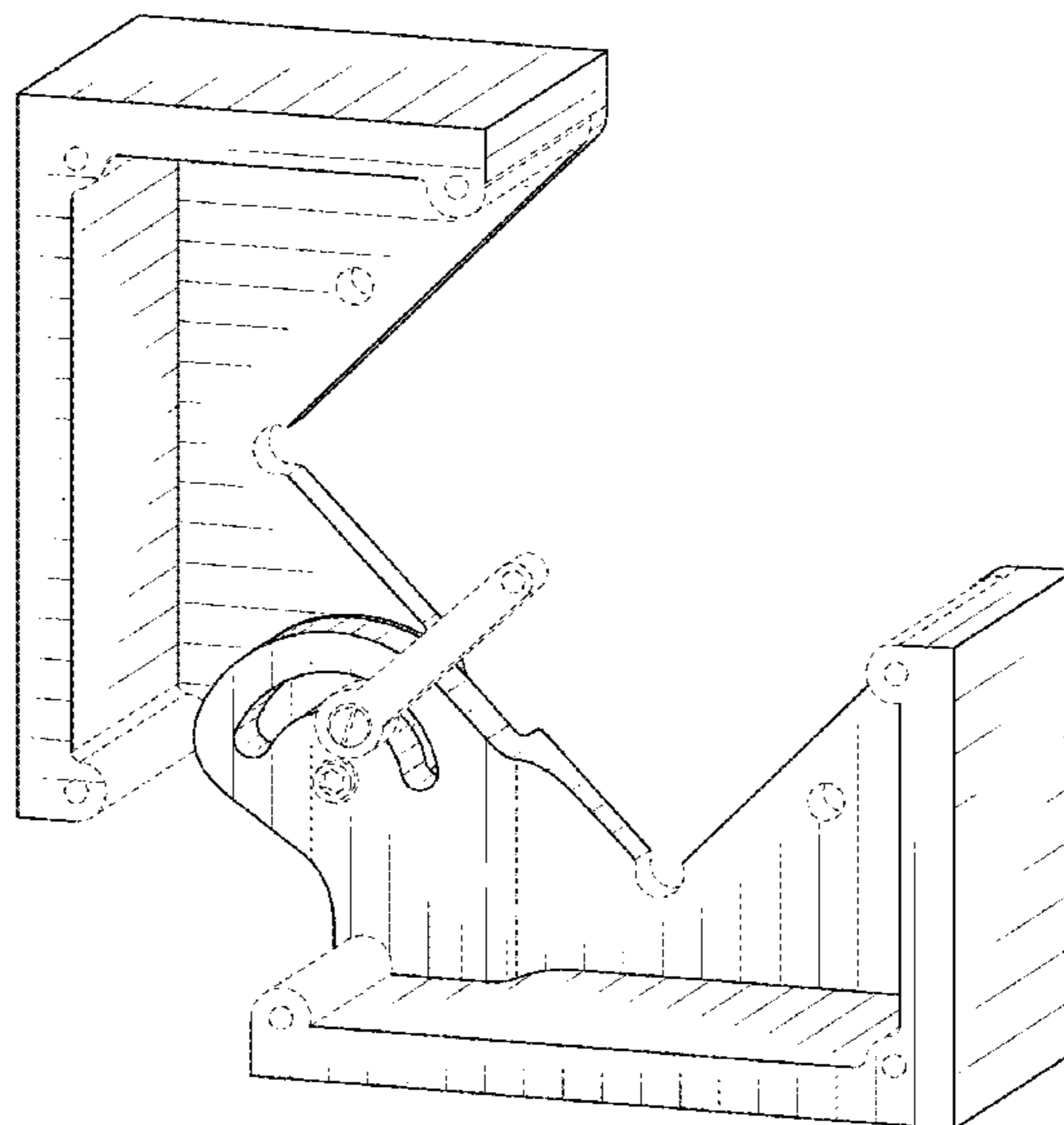
FIG. 20 is a top view thereof; and,

FIG. 21 is a bottom view thereof.

The broken lines shown in FIGS. 1-21 illustrate features of the adjustable angle workpiece holding square that form no part of the claimed design.

(Continued)

1 Claim, 12 Drawing Sheets



(56)

References Cited

U.S. PATENT DOCUMENTS

2,322,433 A * 6/1943 Gammache B27G 5/026
83/762
2,908,300 A * 10/1959 Hahn B27G 5/02
83/763
D209,170 S * 11/1967 Papp D15/140
3,651,840 A * 3/1972 Ridenour B27G 5/02
83/759
4,056,030 A * 11/1977 Hahn B27G 5/02
83/762
D271,660 S * 12/1983 Elmore D8/71
D365,115 S * 12/1995 Walker D15/140
5,566,603 A * 10/1996 Moeres B27B 27/06
83/468.3
D384,359 S * 9/1997 Walker D15/140
D388,799 S * 1/1998 Walker D15/140
5,713,258 A * 2/1998 Keddie B23D 51/02
83/581
D391,586 S * 3/1998 Walker D15/141
D420,687 S * 2/2000 Dragon D10/65
D836,688 S * 12/2018 Chang D15/141
D872,147 S * 1/2020 Hall D15/140
D877,785 S * 3/2020 Funk D15/141
2002/0029678 A1 * 3/2002 Erisoty B27G 5/02
83/766
2006/0053992 A1 * 3/2006 Williams B27G 5/023
83/435.12
2008/0219786 A1 * 9/2008 Sommerfeld B23B 47/287
408/115 R
2018/0104846 A1 * 4/2018 Manura B23D 55/023

* cited by examiner

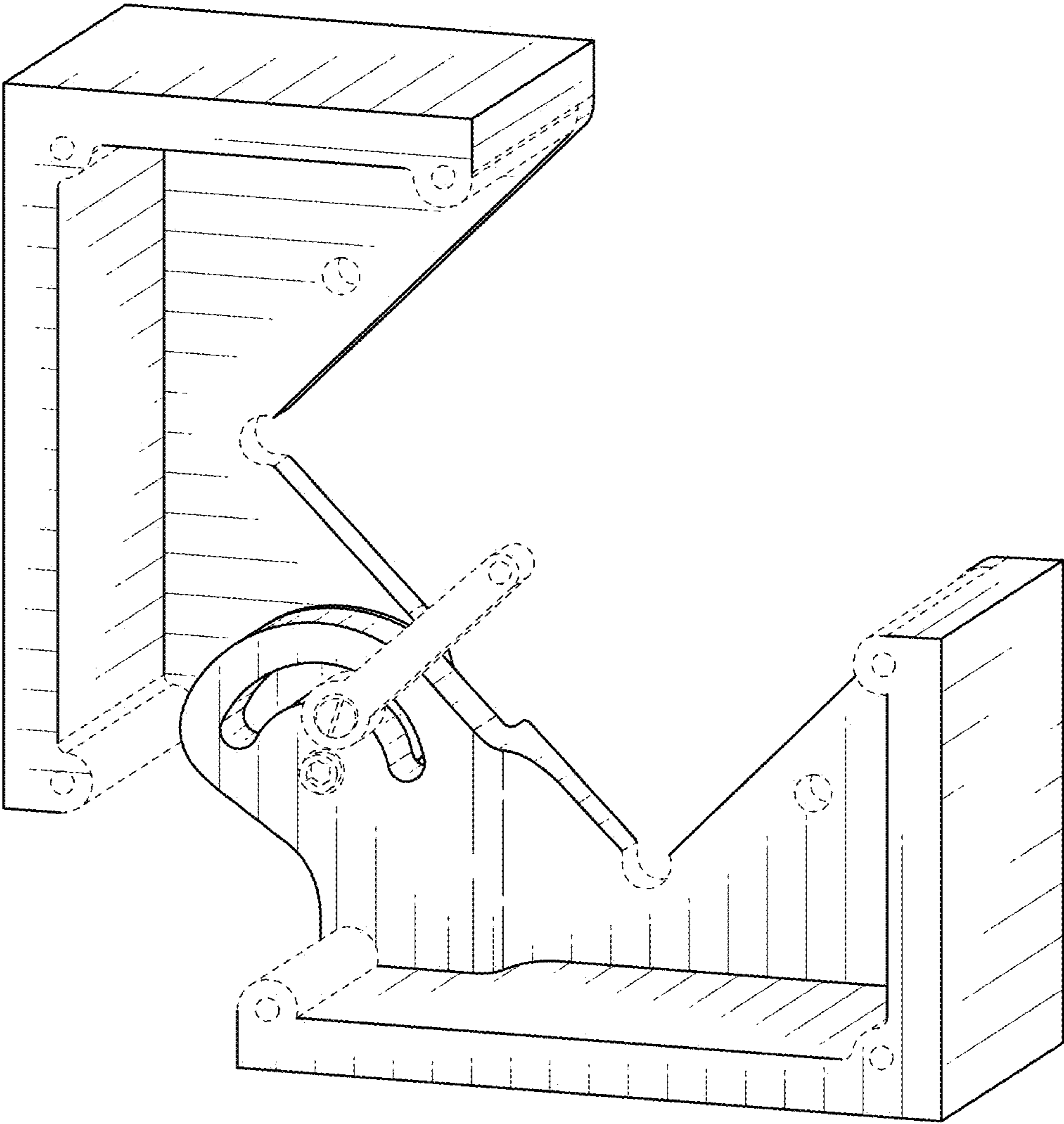


FIG. 1

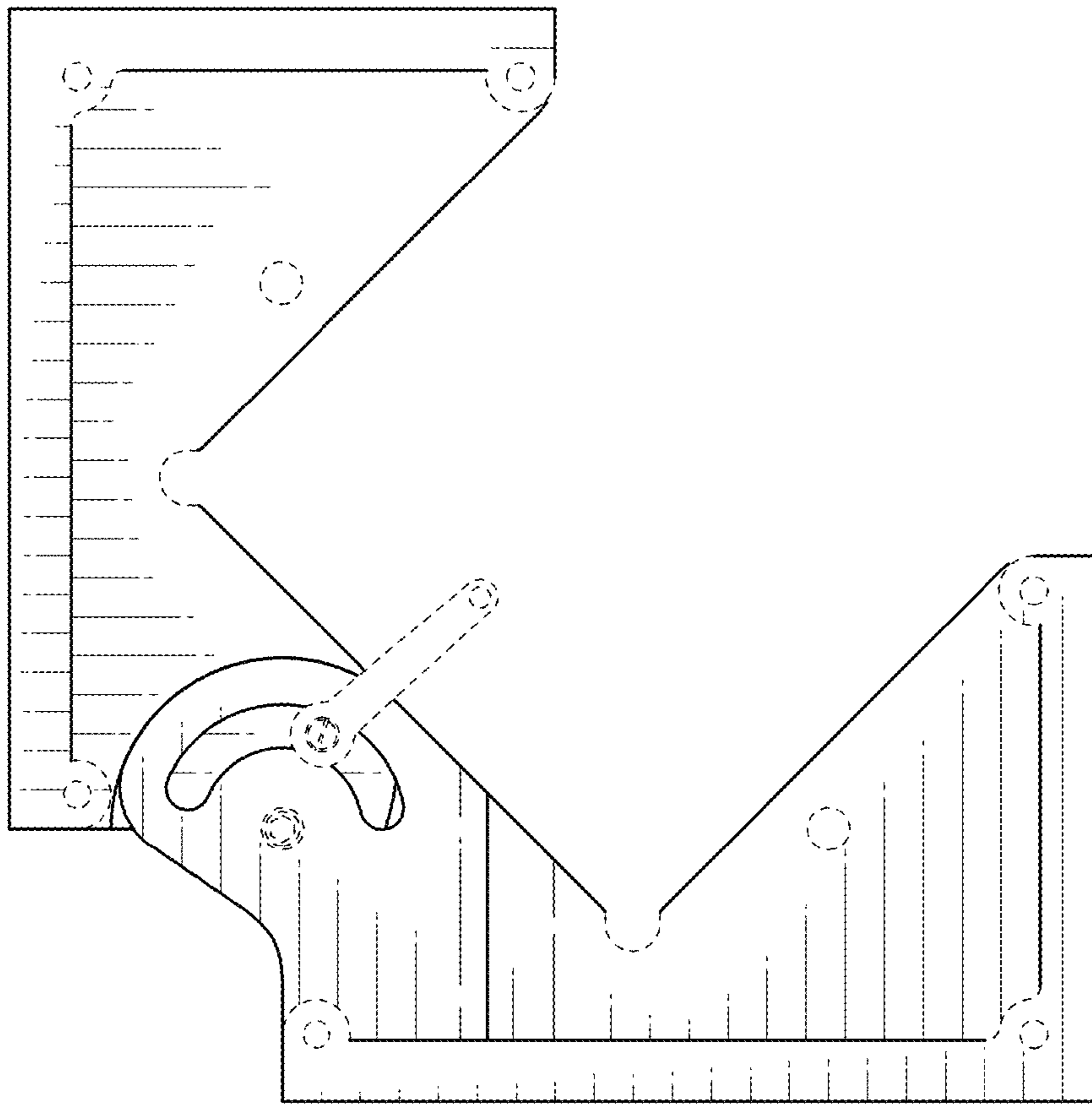


FIG. 2

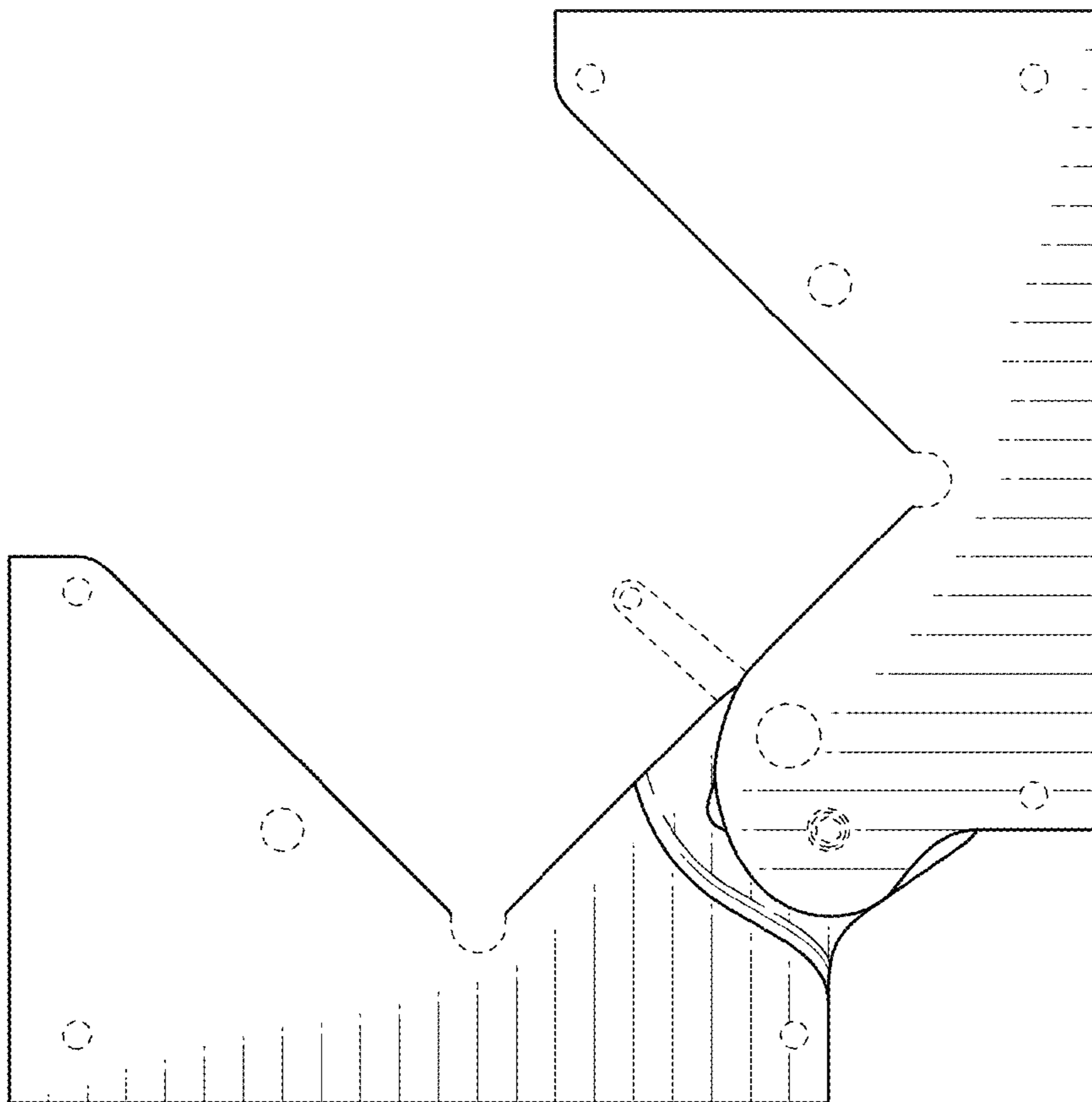


FIG. 3

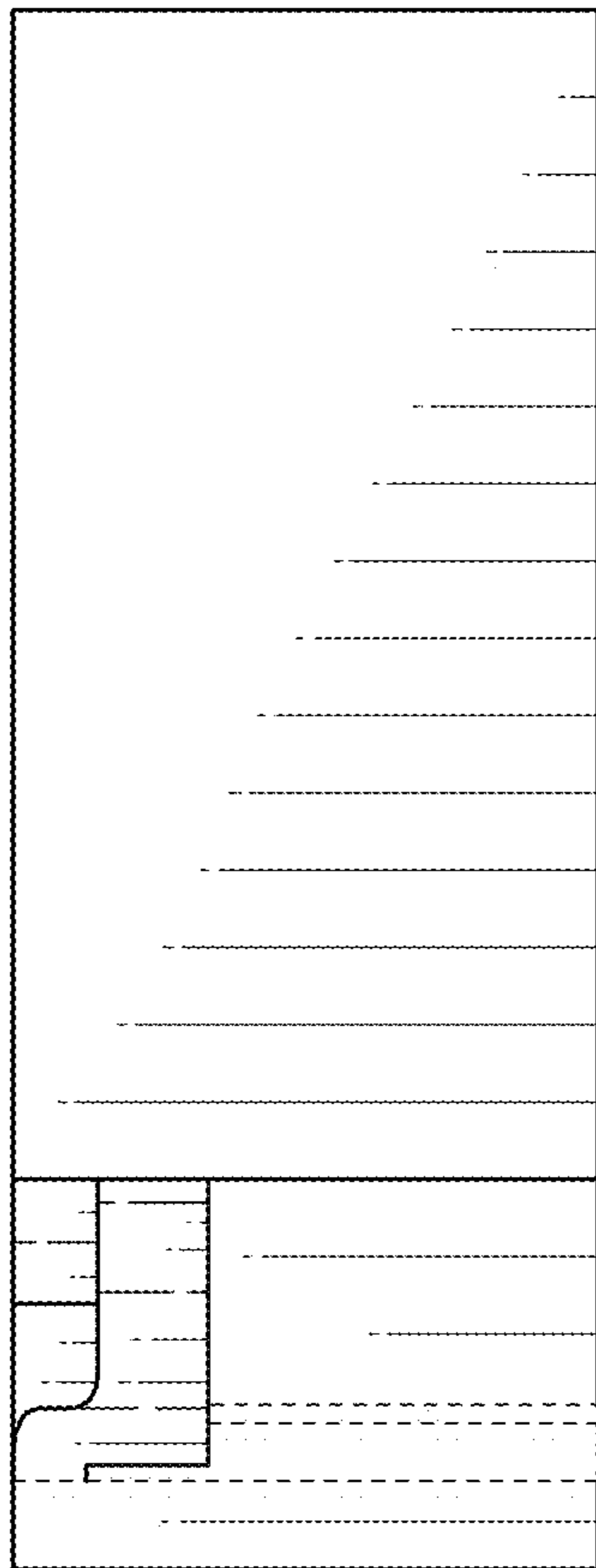


FIG. 4

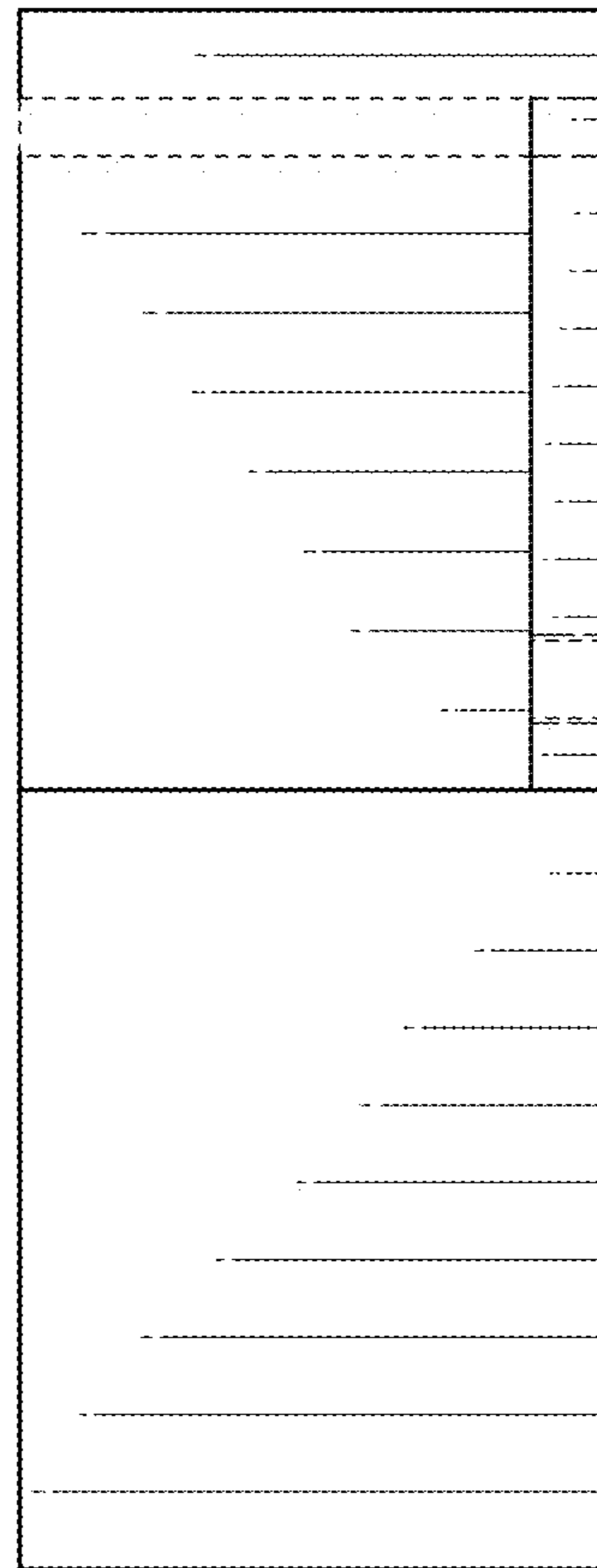


FIG. 5

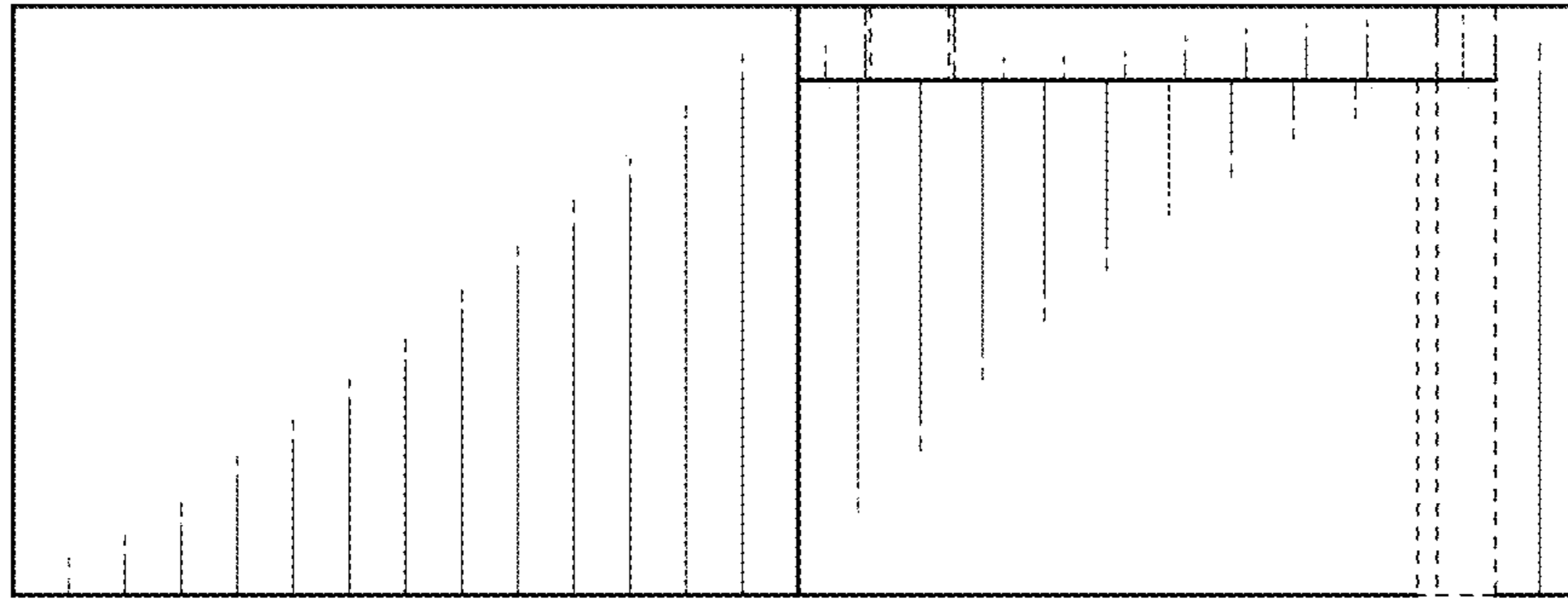


FIG. 6

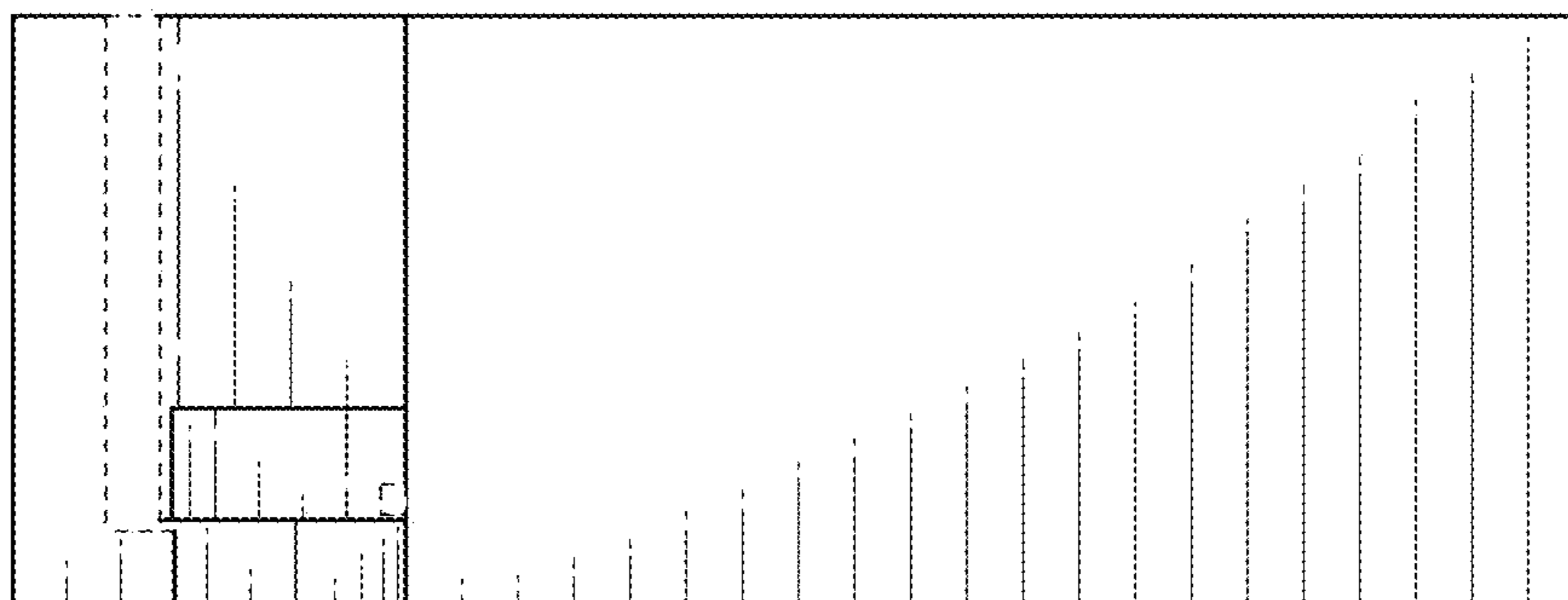


FIG. 7

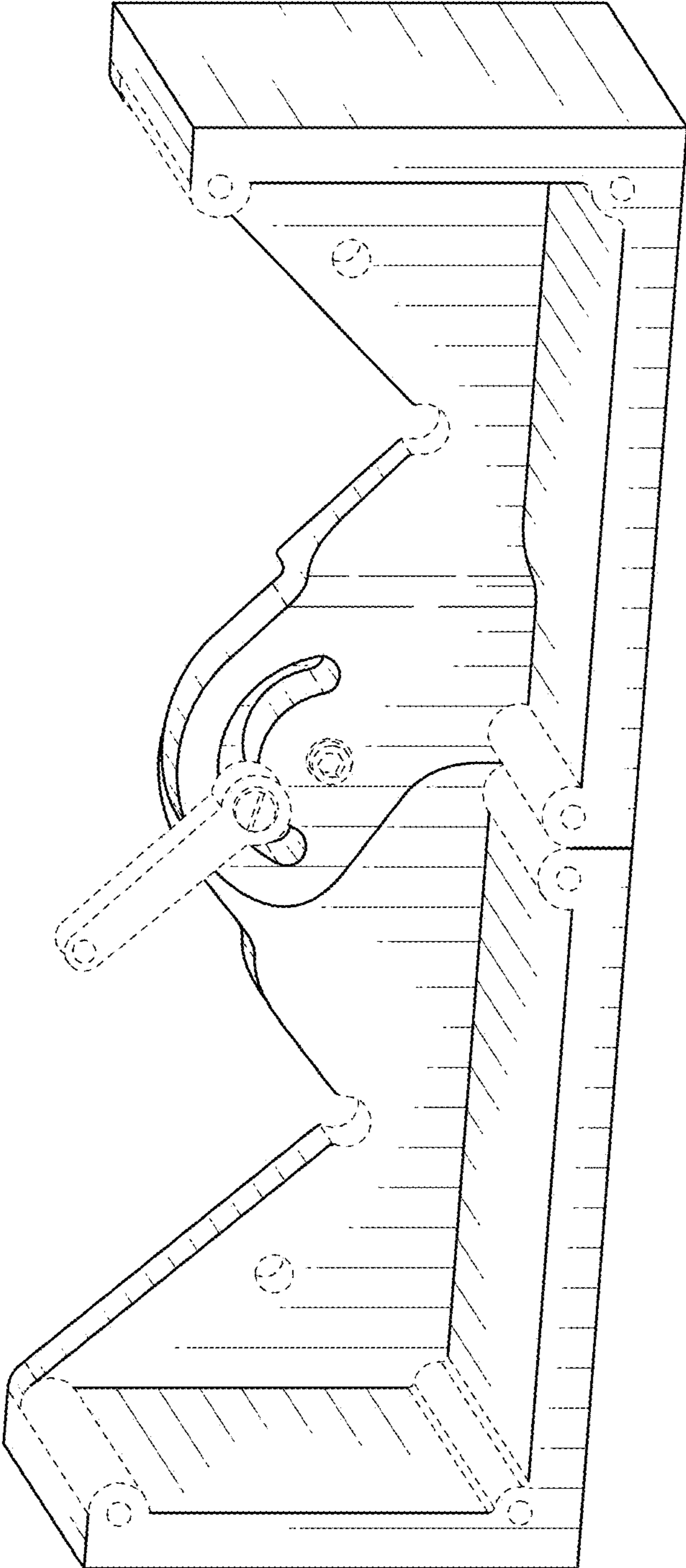


FIG. 8

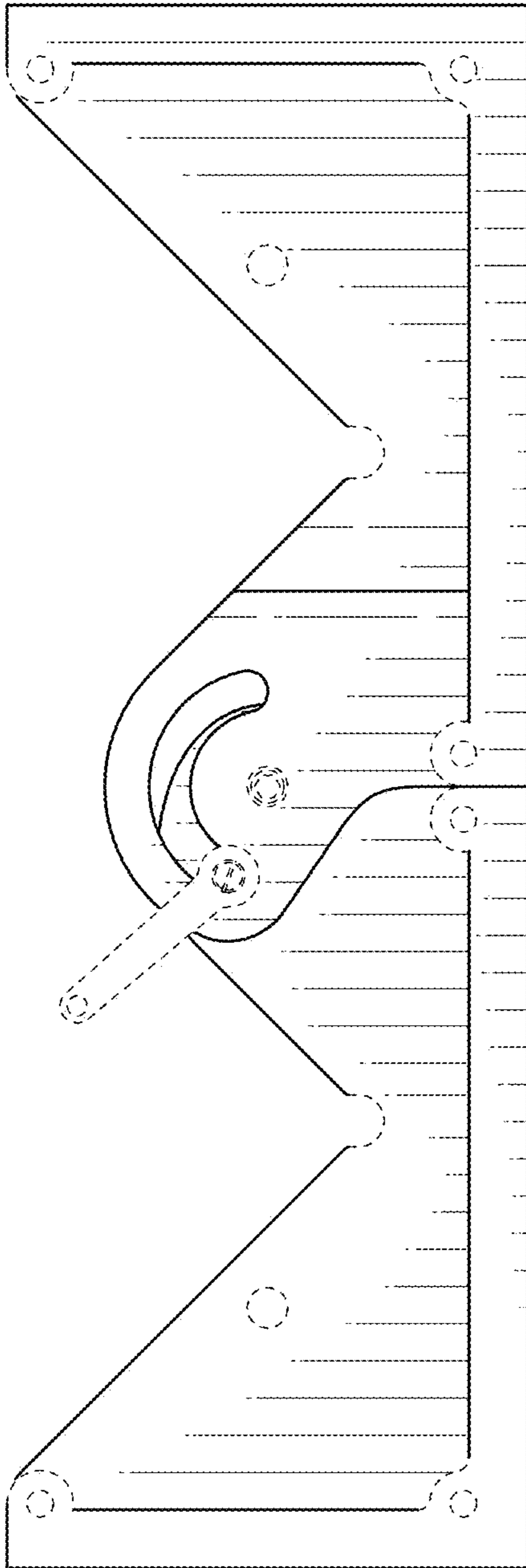


FIG. 9

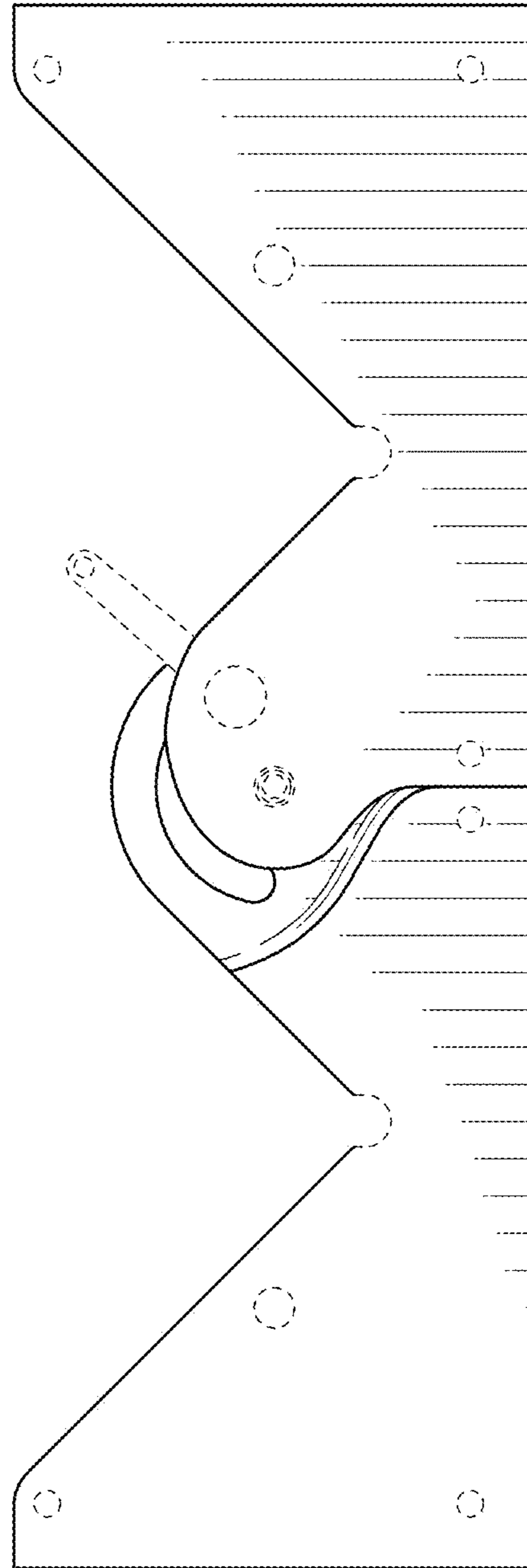


FIG. 10

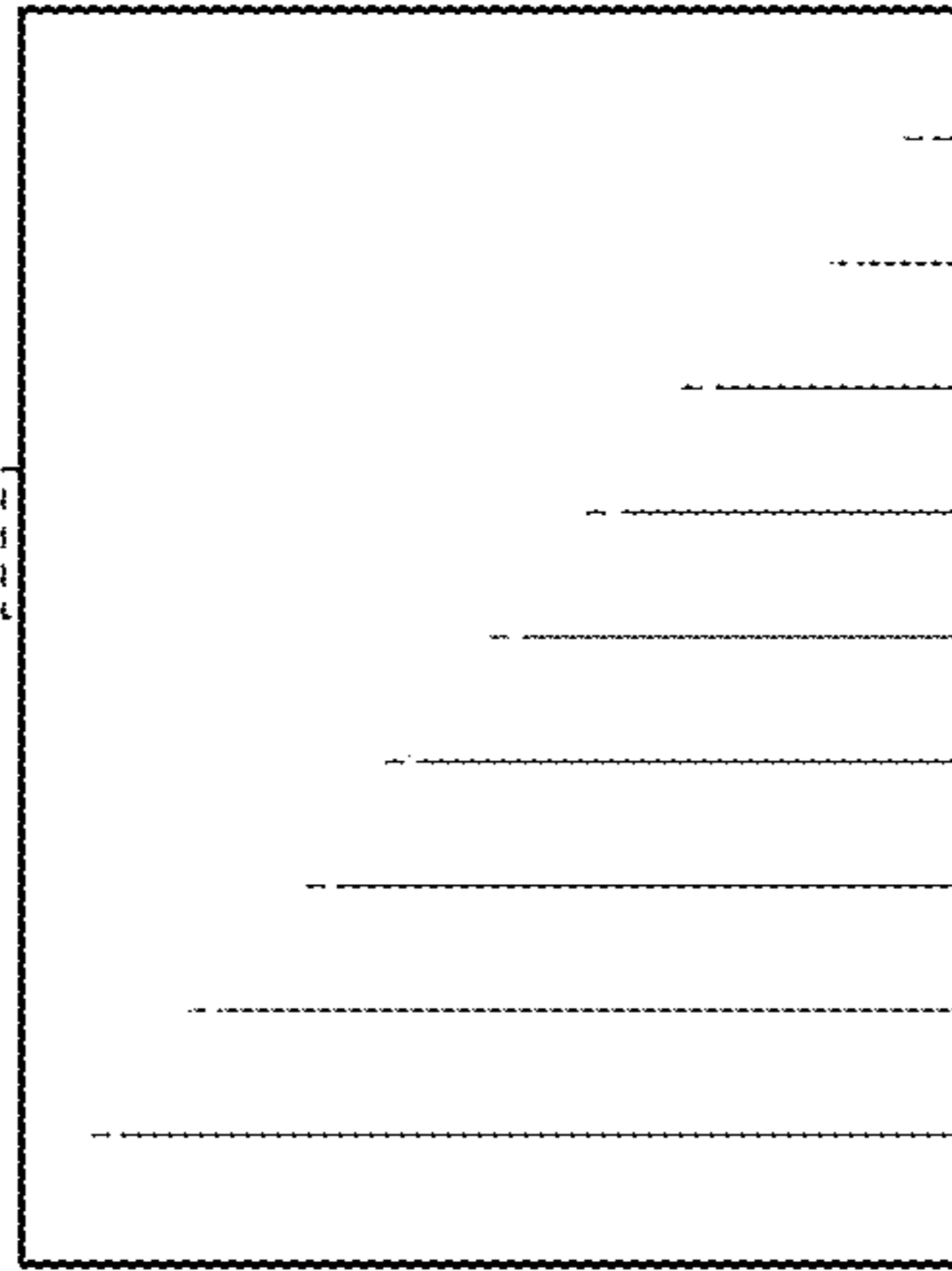


FIG. 11

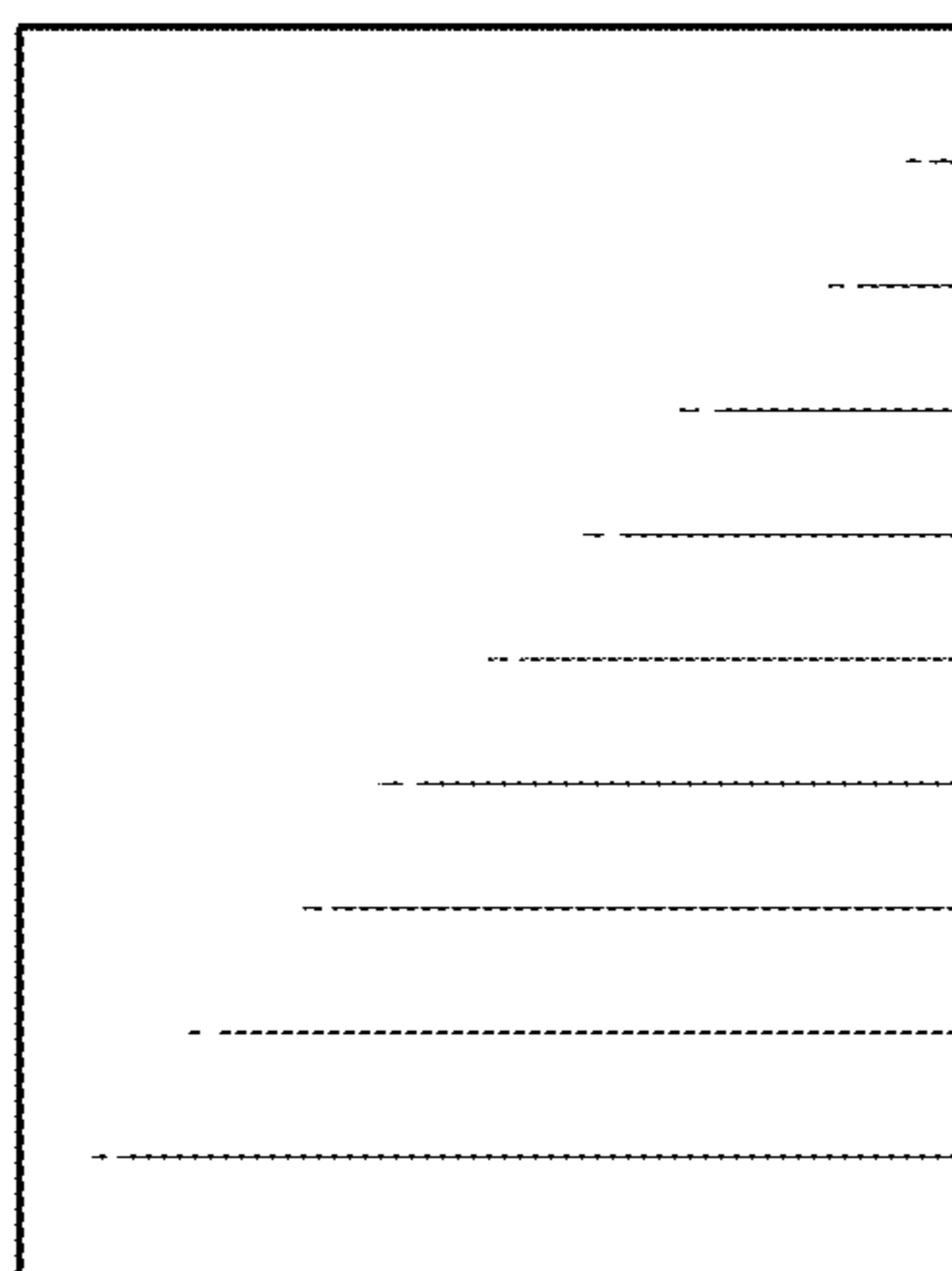


FIG. 12

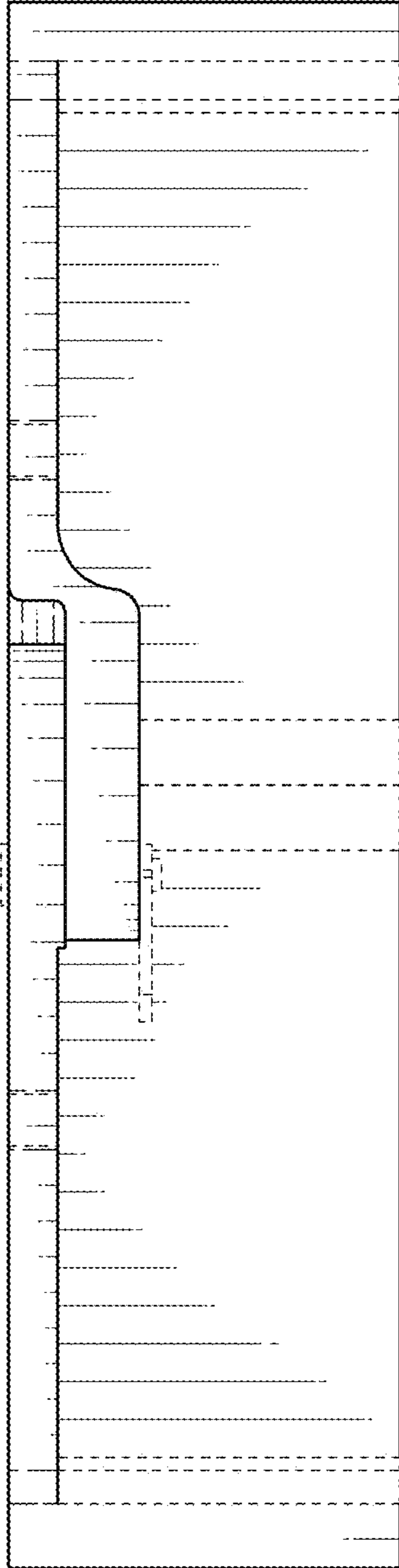


FIG. 13

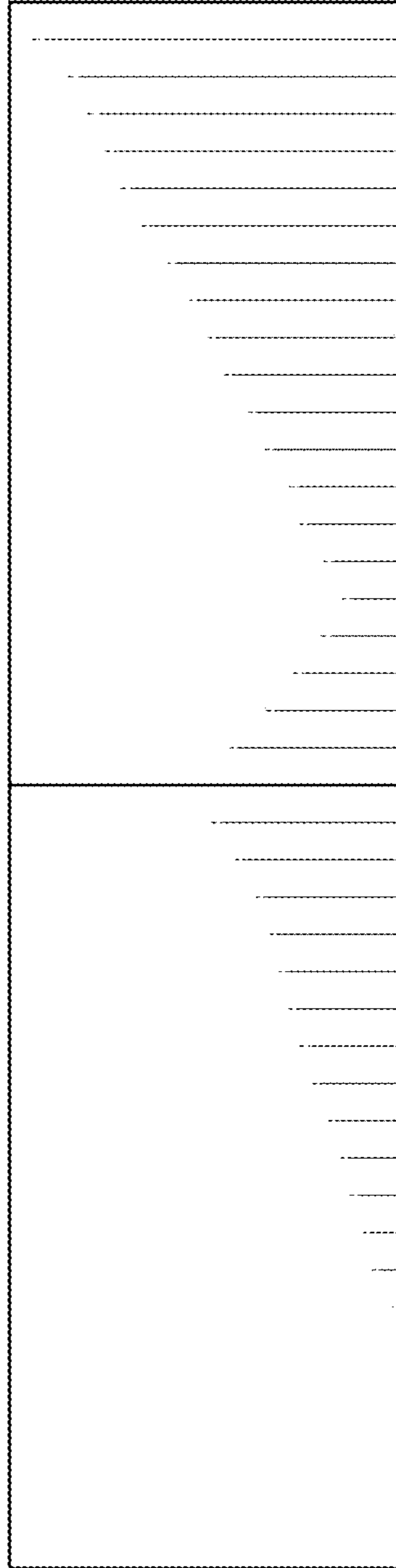


FIG. 14

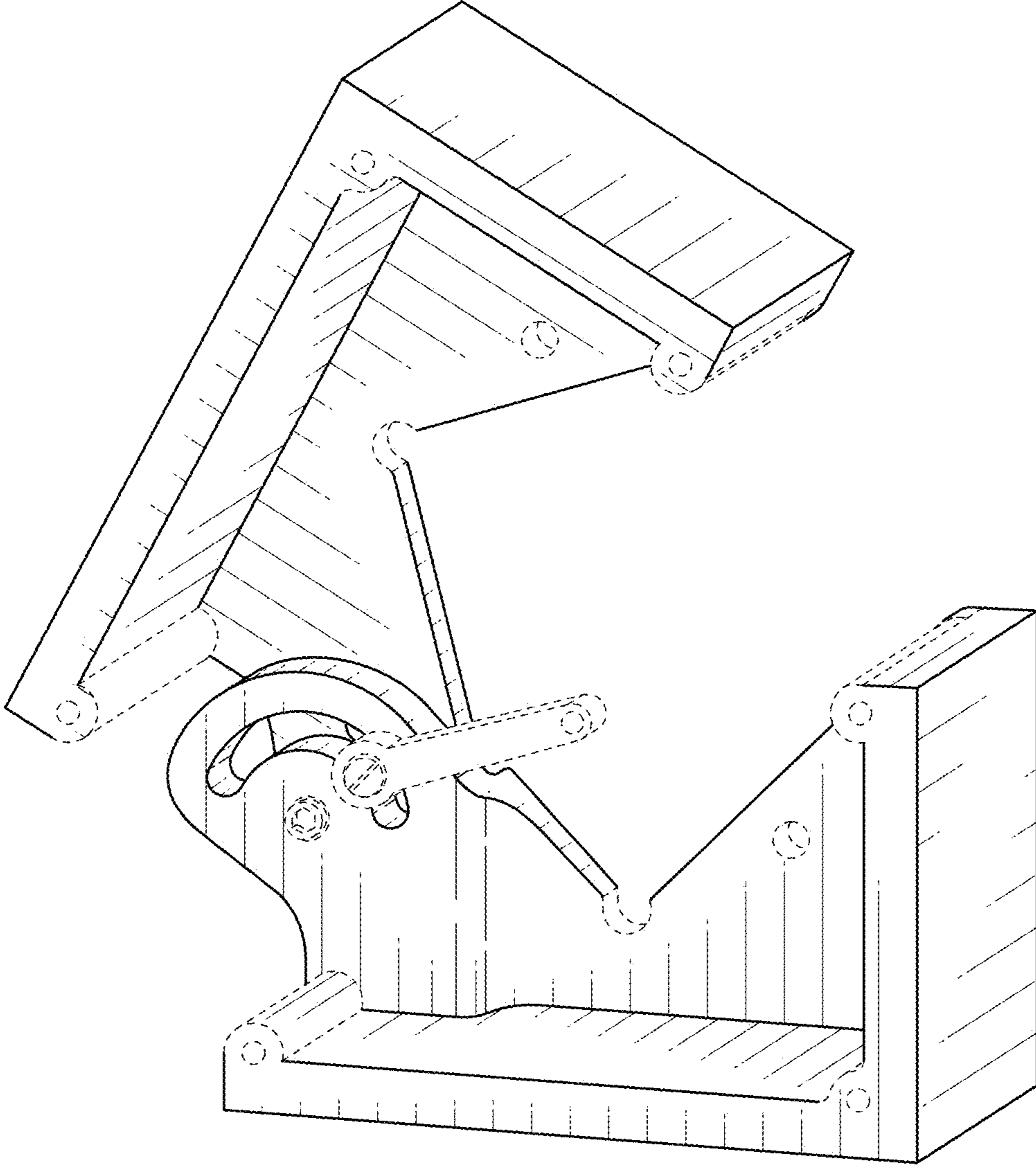


FIG. 15

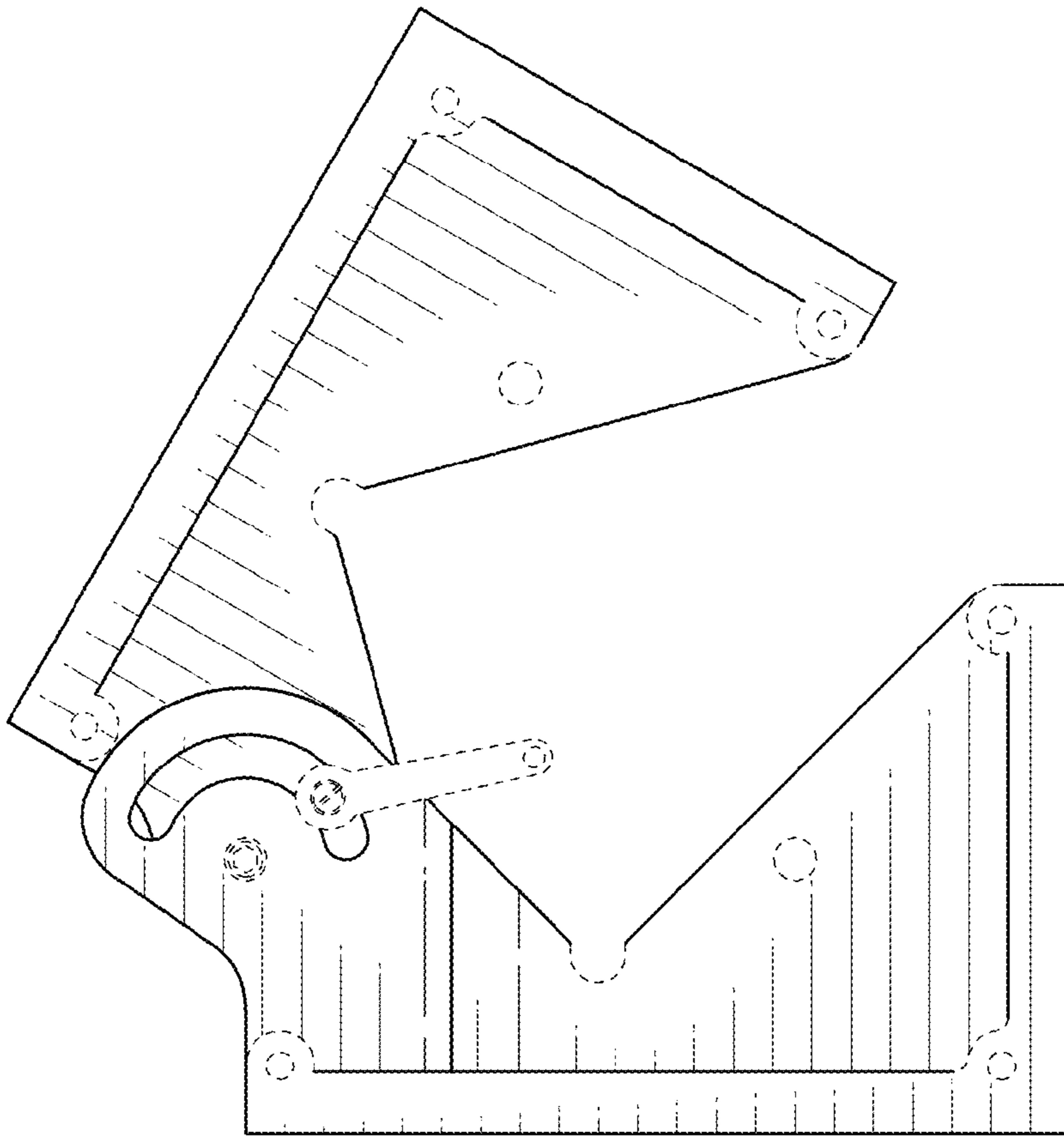


FIG. 16

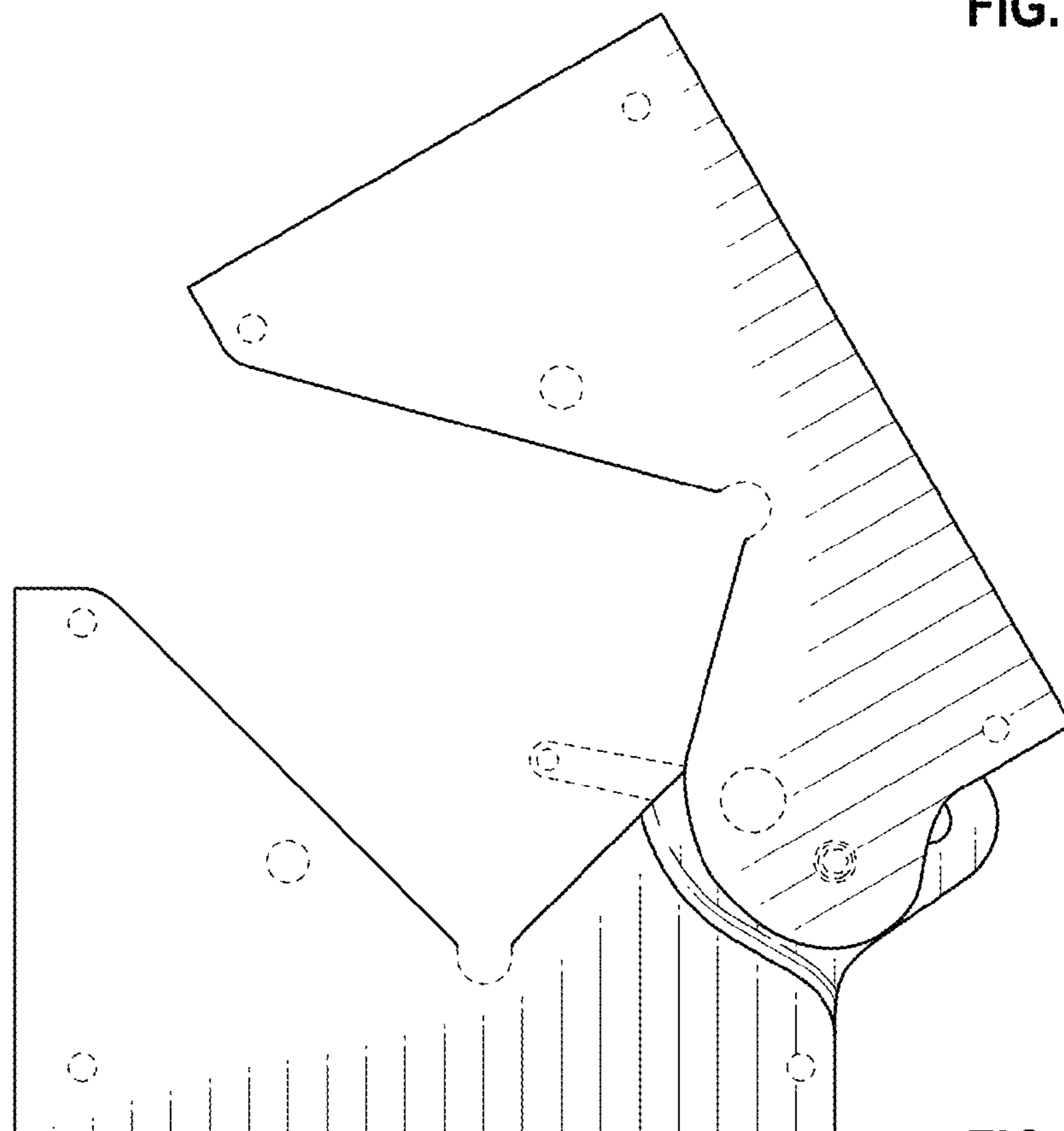


FIG. 17

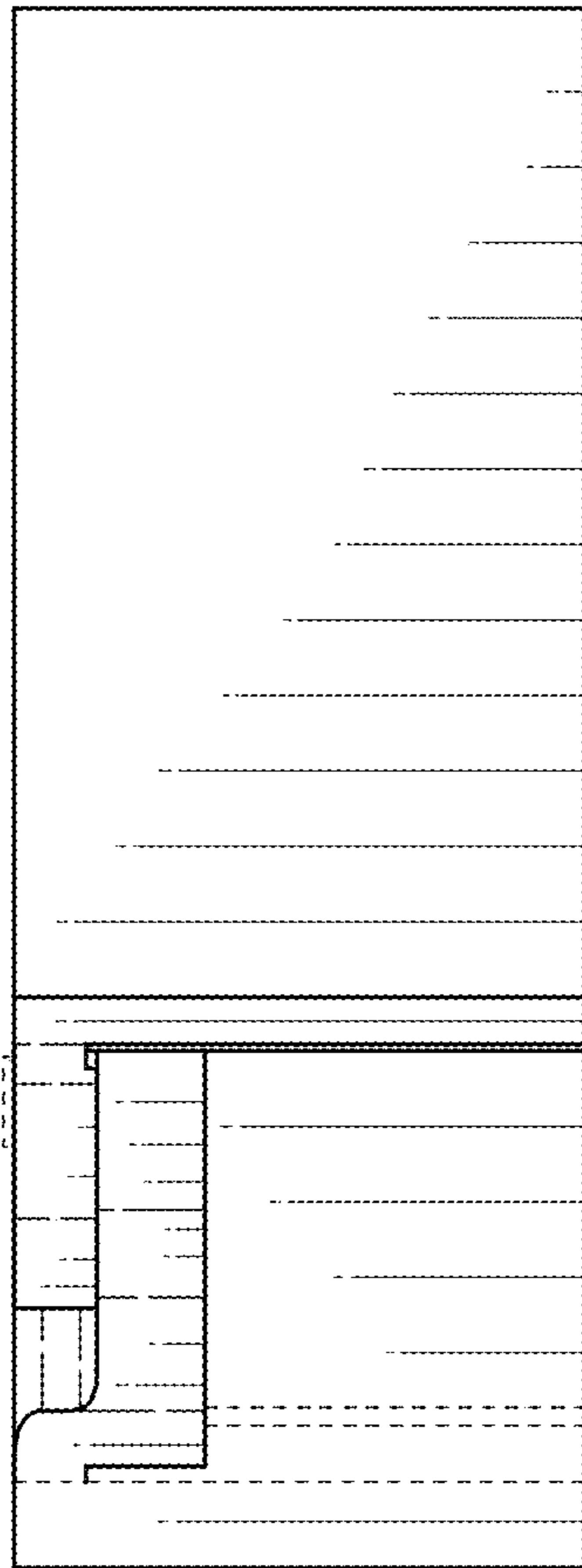


FIG. 18

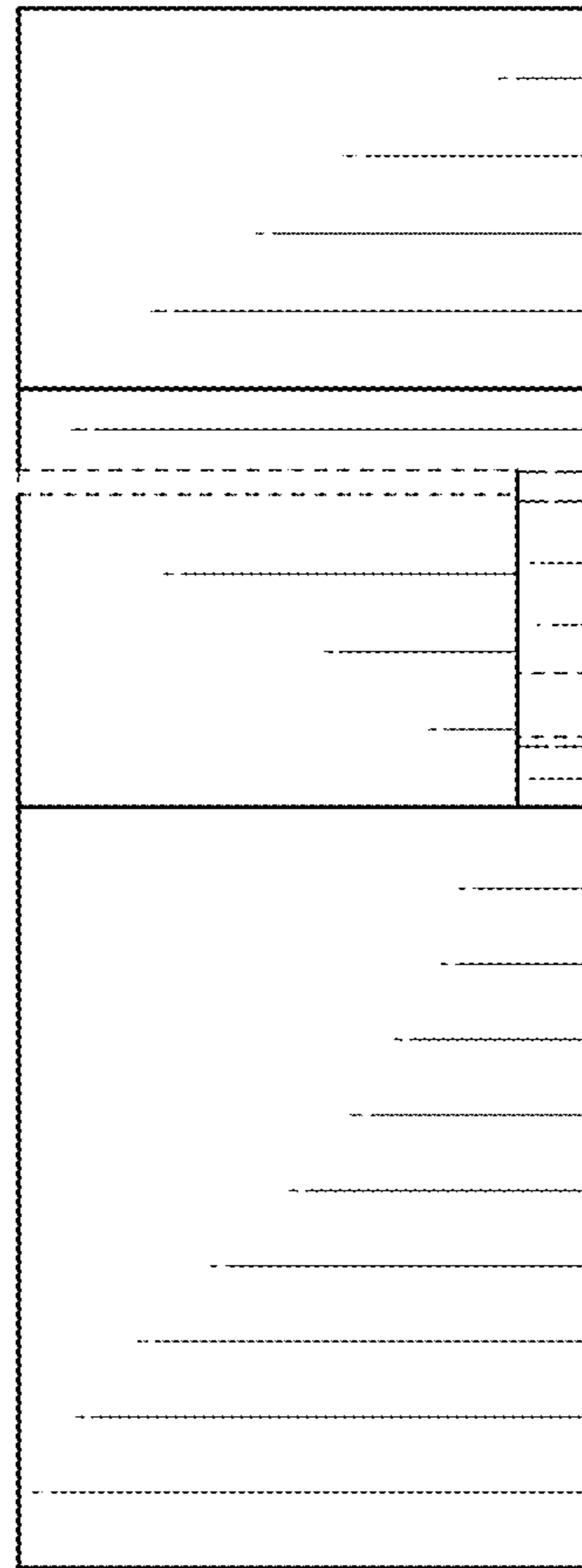


FIG. 19

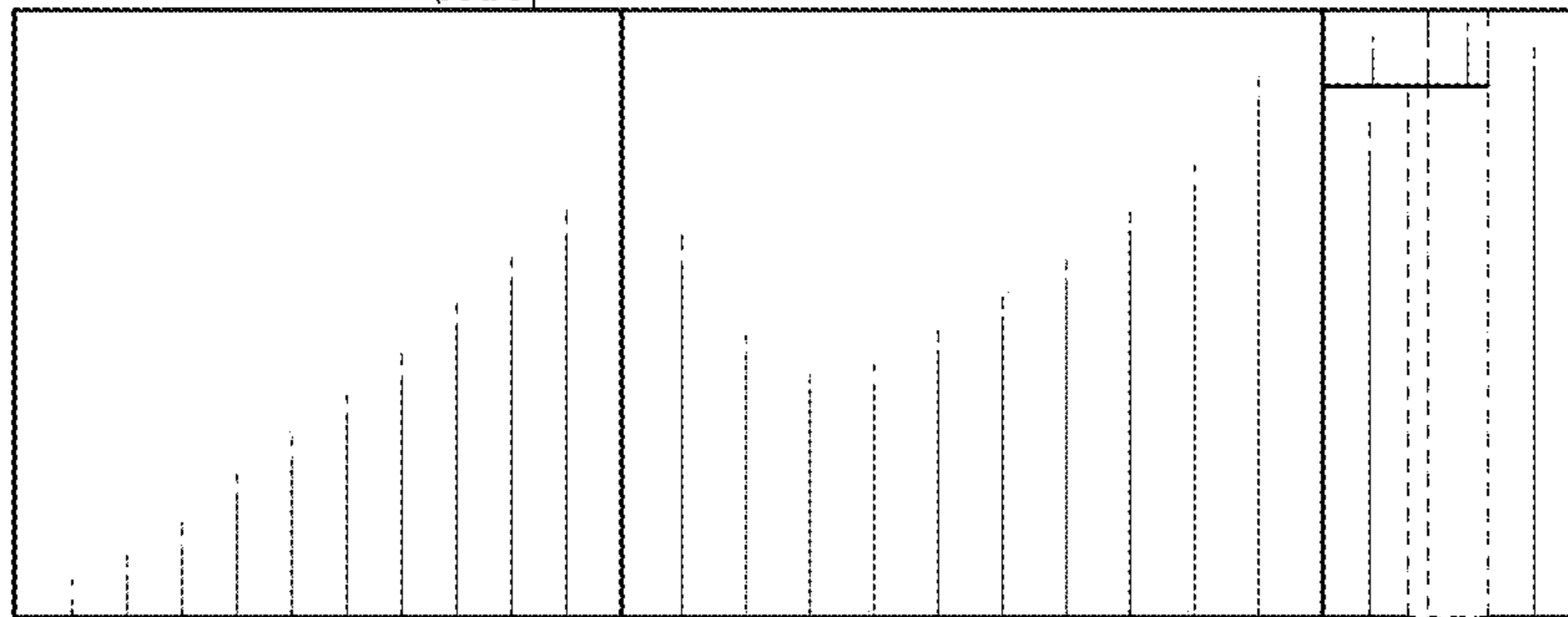


FIG. 20

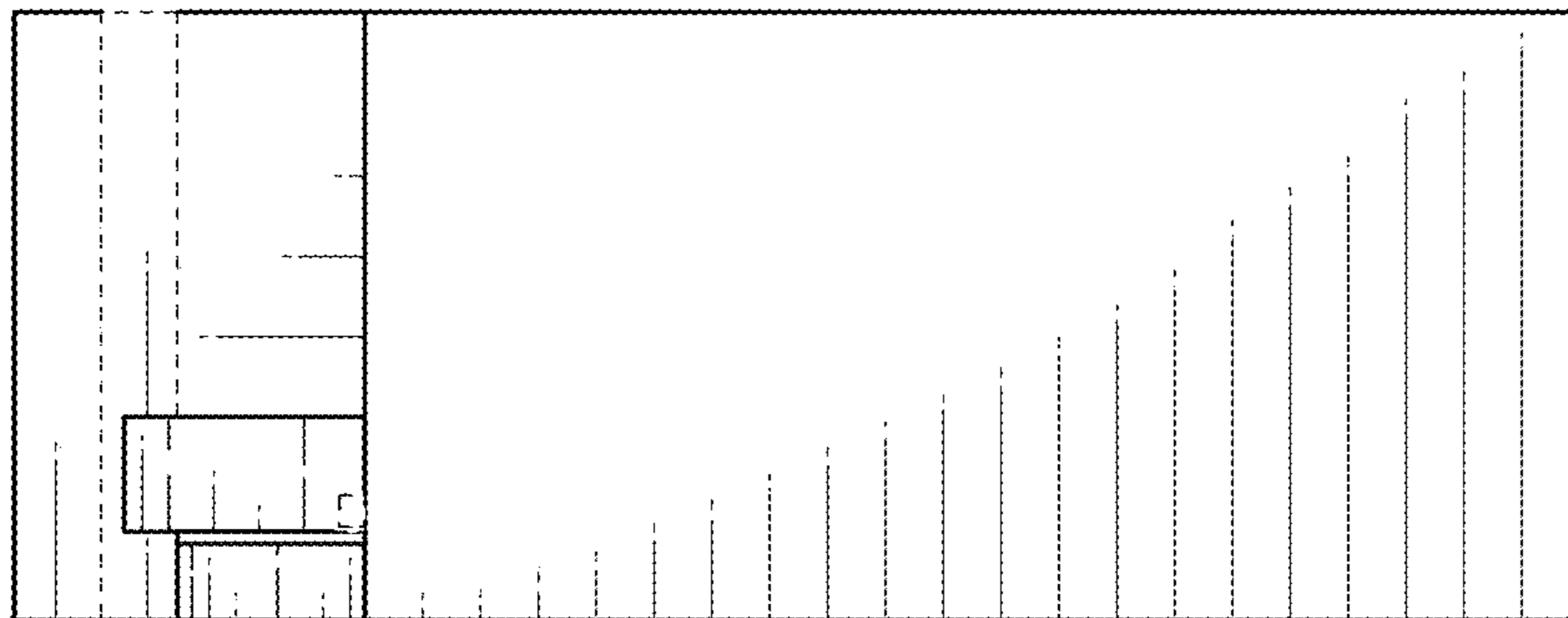


FIG. 21