



US00D902267S

(12) **United States Design Patent** (10) **Patent No.:** **US D902,267 S**
Firth (45) **Date of Patent:** **** Nov. 17, 2020**

(54) **WORKSTATION CONTRACTOR SAW
MODULE**

(71) Applicant: **Power Box AG**, Zug (CH)

(72) Inventor: **Robert Firth**, York (GB)

(73) Assignee: **Power Box AG**, Zug (CH)

(**) Term: **15 Years**

(21) Appl. No.: **29/647,701**

(22) Filed: **May 15, 2018**

Related U.S. Application Data

(63) Continuation-in-part of application No. 29/567,616,
filed on Jun. 10, 2016, now abandoned.

(51) **LOC (12) Cl.** **15-03**

(52) **U.S. Cl.**
USPC **D15/133**

(58) **Field of Classification Search**
USPC D15/124-134, 138-143, 28, 29, 9, 17;
D8/8, 66, 70
CPC B23D 47/025; B23D 59/001; B23D 45/06;
B23D 45/068; B23D 45/062; B23D
47/02; B23D 59/006; B23D 45/044;
B23D 45/048; B23D 45/065; B23D
47/08; B23D 47/12; B23D 59/00; B23D
45/024; B23D 45/042; B23D 45/066;
B23D 45/14; B23D 45/146; B23D 45/16;
B23D 47/00; B23D 47/045; B23D 47/10;
B23D 47/123; B23D 57/0092; B23D
59/003

See application file for complete search history.

(56) **References Cited**

U.S. PATENT DOCUMENTS

D394,071 S * 5/1998 Ceroll D15/133
D411,090 S * 6/1999 Chang D15/133

D425,529 S * 5/2000 Svetlik D15/133
D442,190 S * 5/2001 Chen D15/133
D445,119 S * 7/2001 Ceroll D15/133
D458,947 S * 6/2002 Svetlik D15/133
D510,048 S * 9/2005 Wright D15/133
D523,038 S * 6/2006 Wright D15/133
D527,032 S * 8/2006 Welsh D15/133
D545,330 S * 6/2007 DiPasquale D15/133
D569,402 S * 5/2008 DiPasquale D15/133
D571,829 S * 6/2008 Welsh D15/133
D571,830 S * 6/2008 Wright D15/133
D574,024 S * 7/2008 Ceroll D15/133
D594,484 S * 6/2009 Leasure D15/133
D602,053 S * 10/2009 Heflin D15/133
D611,070 S * 3/2010 Firth D15/133
D626,157 S * 10/2010 Jebb D15/133
D626,158 S * 10/2010 Jebb D15/133
D663,328 S * 7/2012 Taylor D15/133

(Continued)

Primary Examiner — Khawaja Anwar

(74) *Attorney, Agent, or Firm* — Gable Gotwals

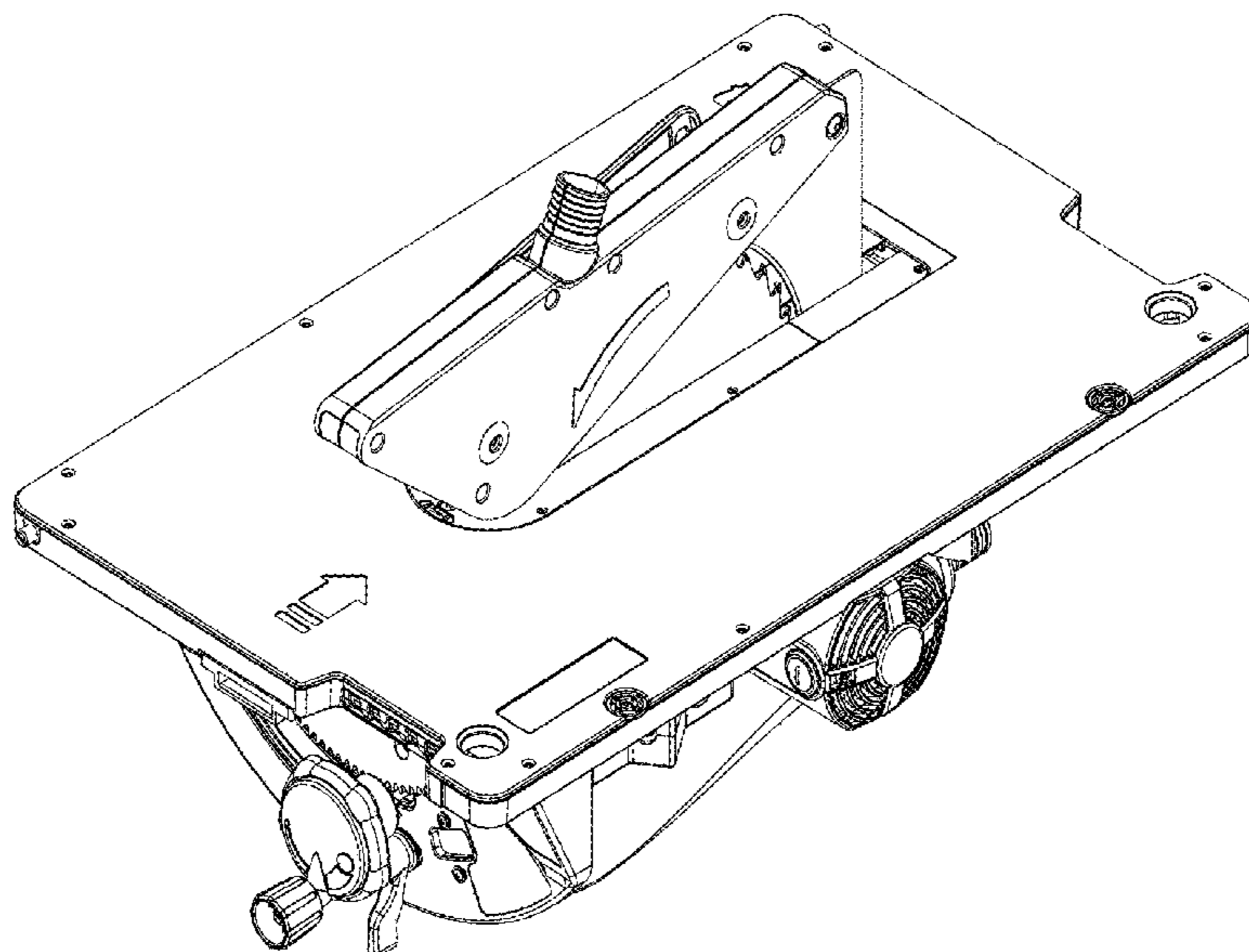
(57) **CLAIM**

I claim the ornamental design for a workstation contractor saw module, as shown and described.

DESCRIPTION

FIG. 1 is a perspective view of my new design for a workstation contractor saw module as shown in the drawings;
FIG. 2 is a top view thereof;
FIG. 3 is a bottom view thereof;
FIG. 4 is a front view thereof;
FIG. 5 is a back view thereof;
FIG. 6 is a right view thereof; and,
FIG. 7 is a left view thereof.
The broken lines shown in the drawings represent unclaimed subject matter and form no part of the claimed design.

1 Claim, 7 Drawing Sheets



(56)

References Cited

U.S. PATENT DOCUMENTS

D704,235 S	*	5/2014	Liu	B23D 45/048
					D15/133
D715,337 S	*	10/2014	Scherl	D15/133
D719,469 S	*	12/2014	Lane	D10/65
D761,337 S	*	7/2016	Eiswerth	D15/133

* cited by examiner

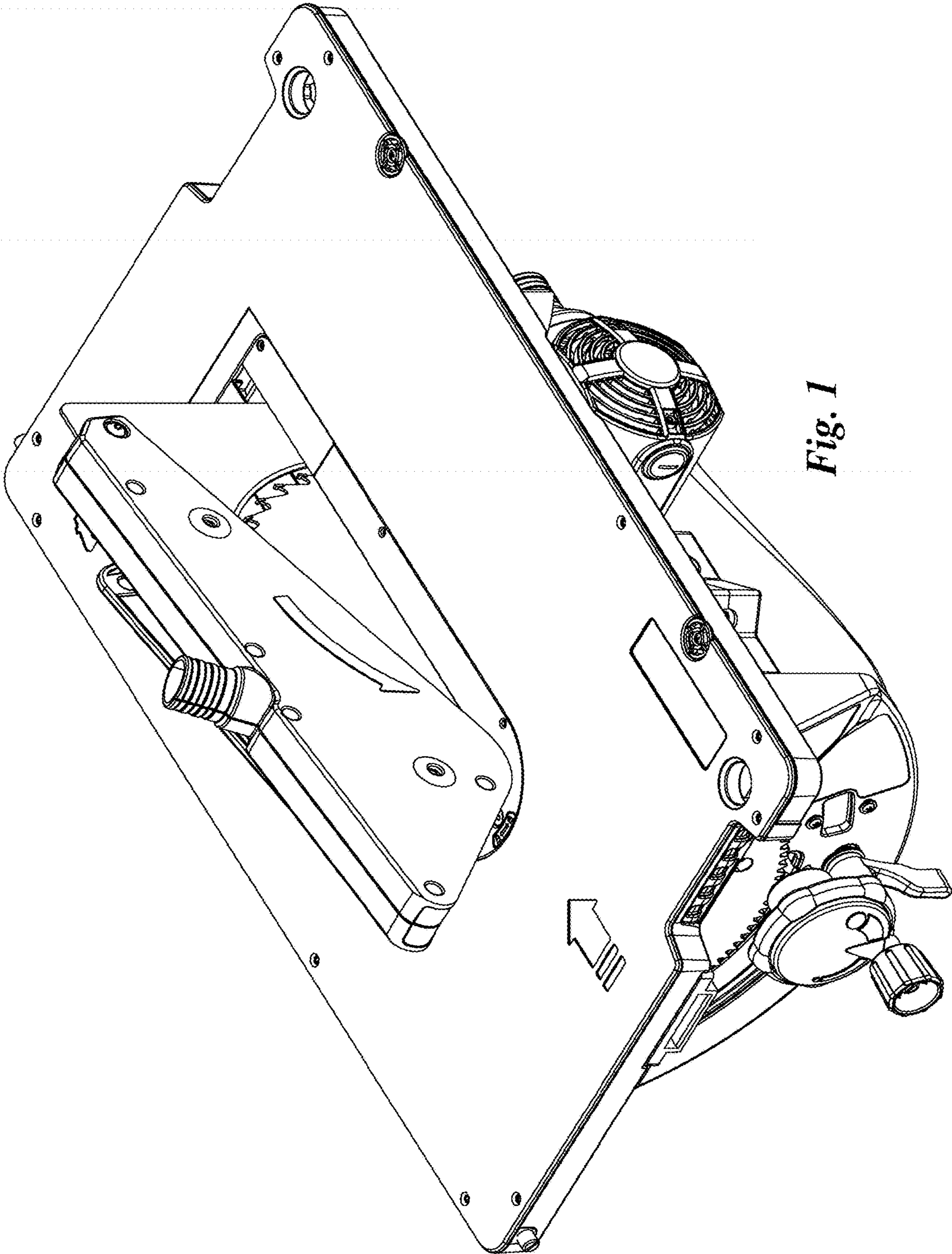


Fig. 1

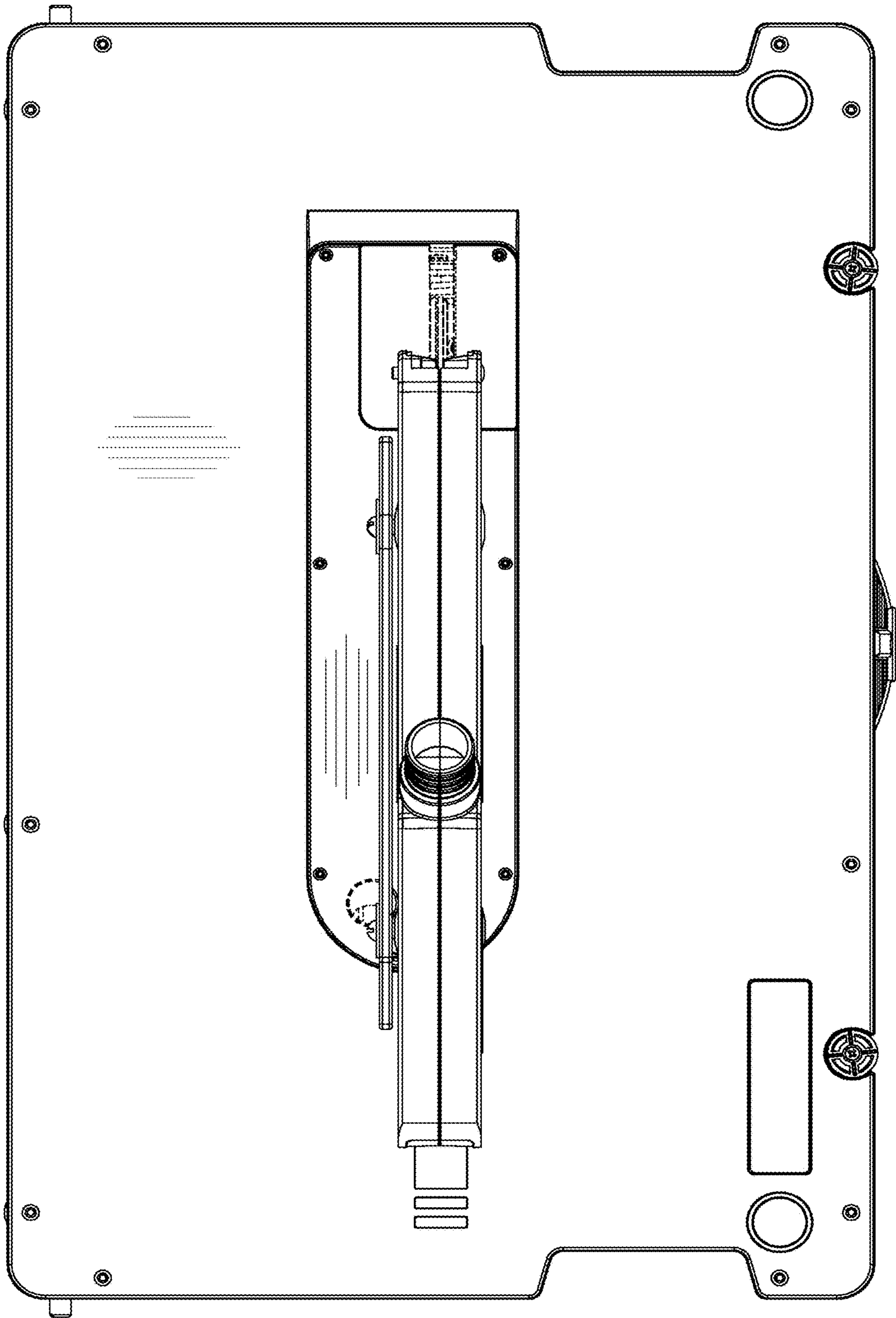


Fig. 2

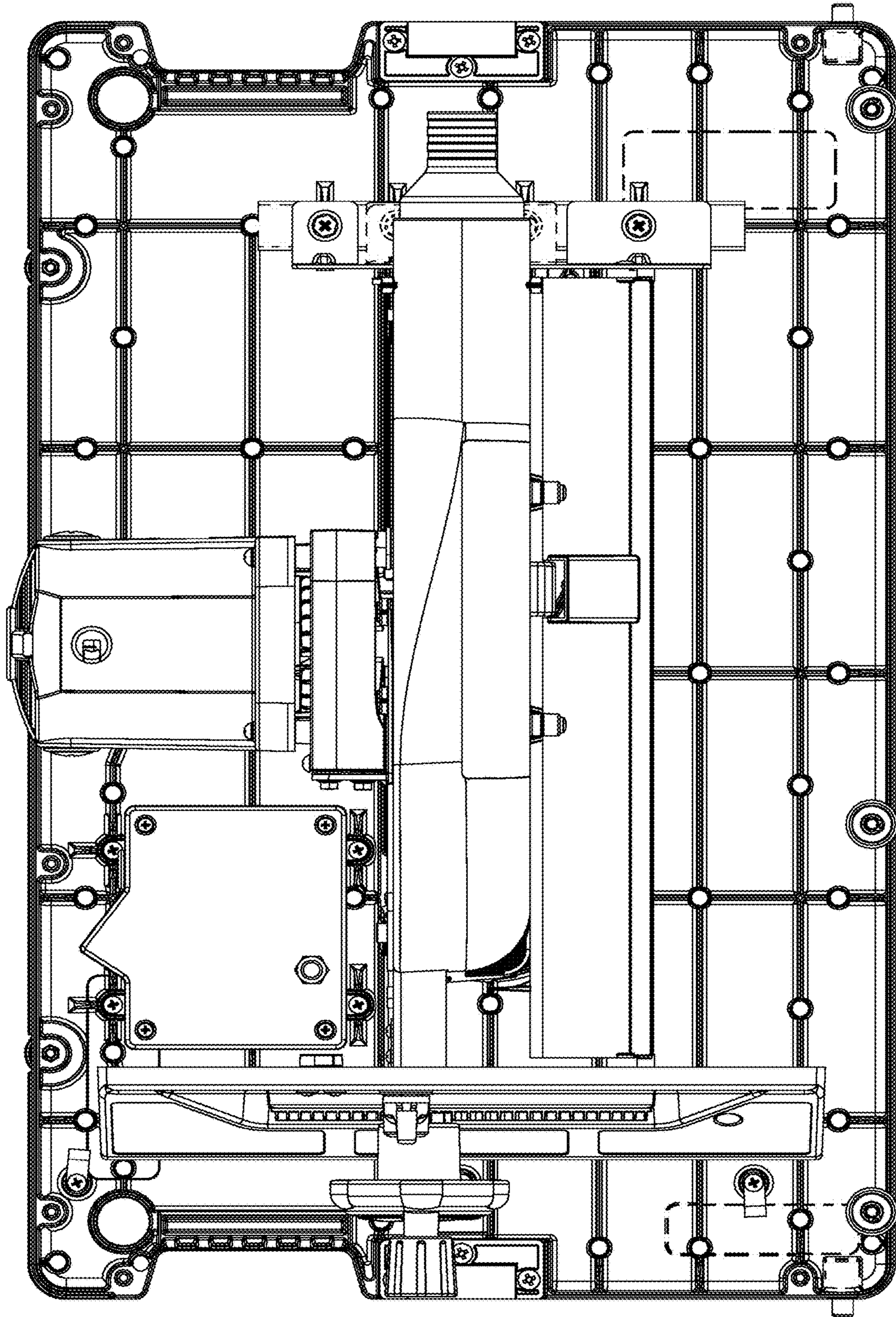


Fig. 3

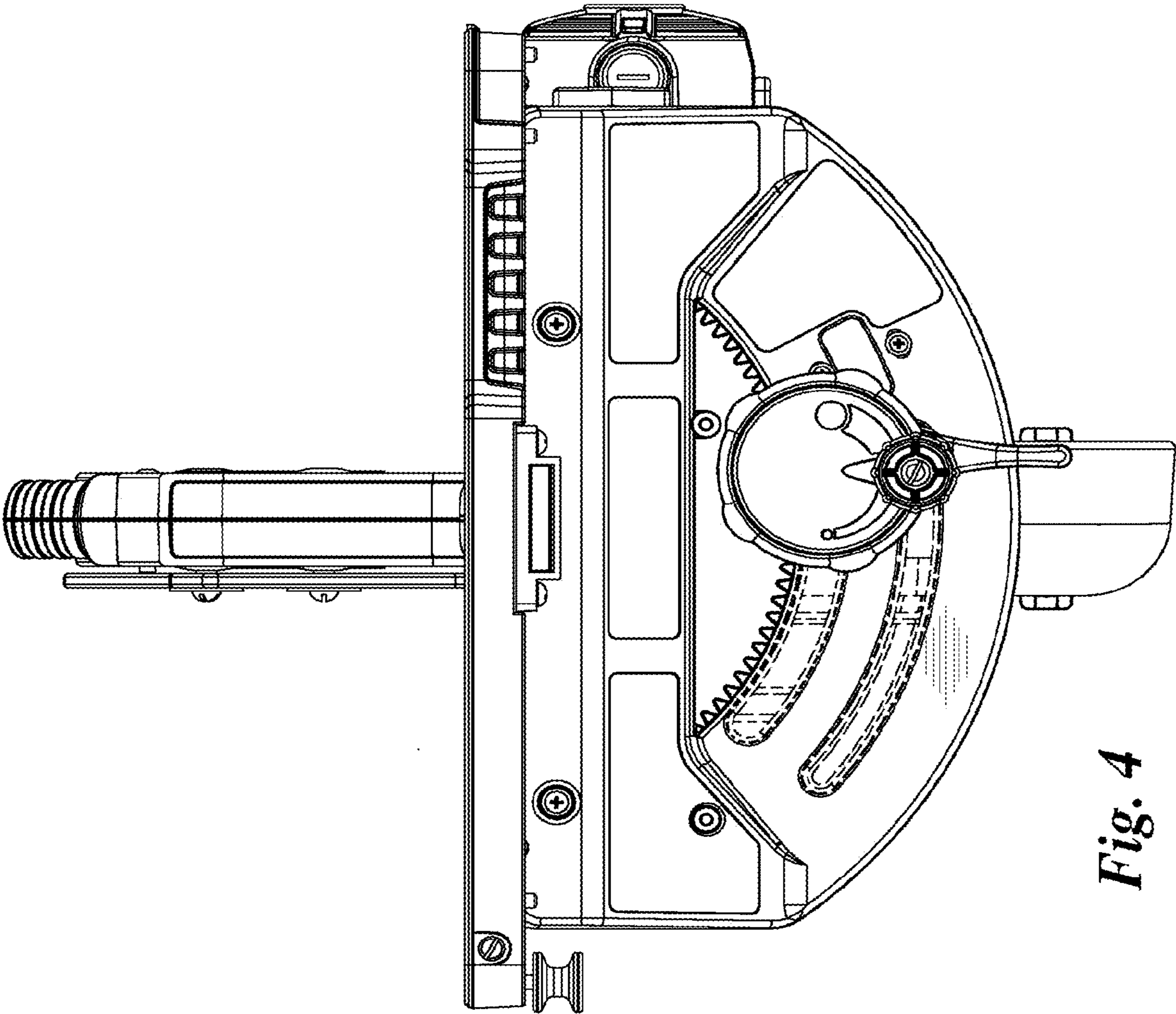


Fig. 4

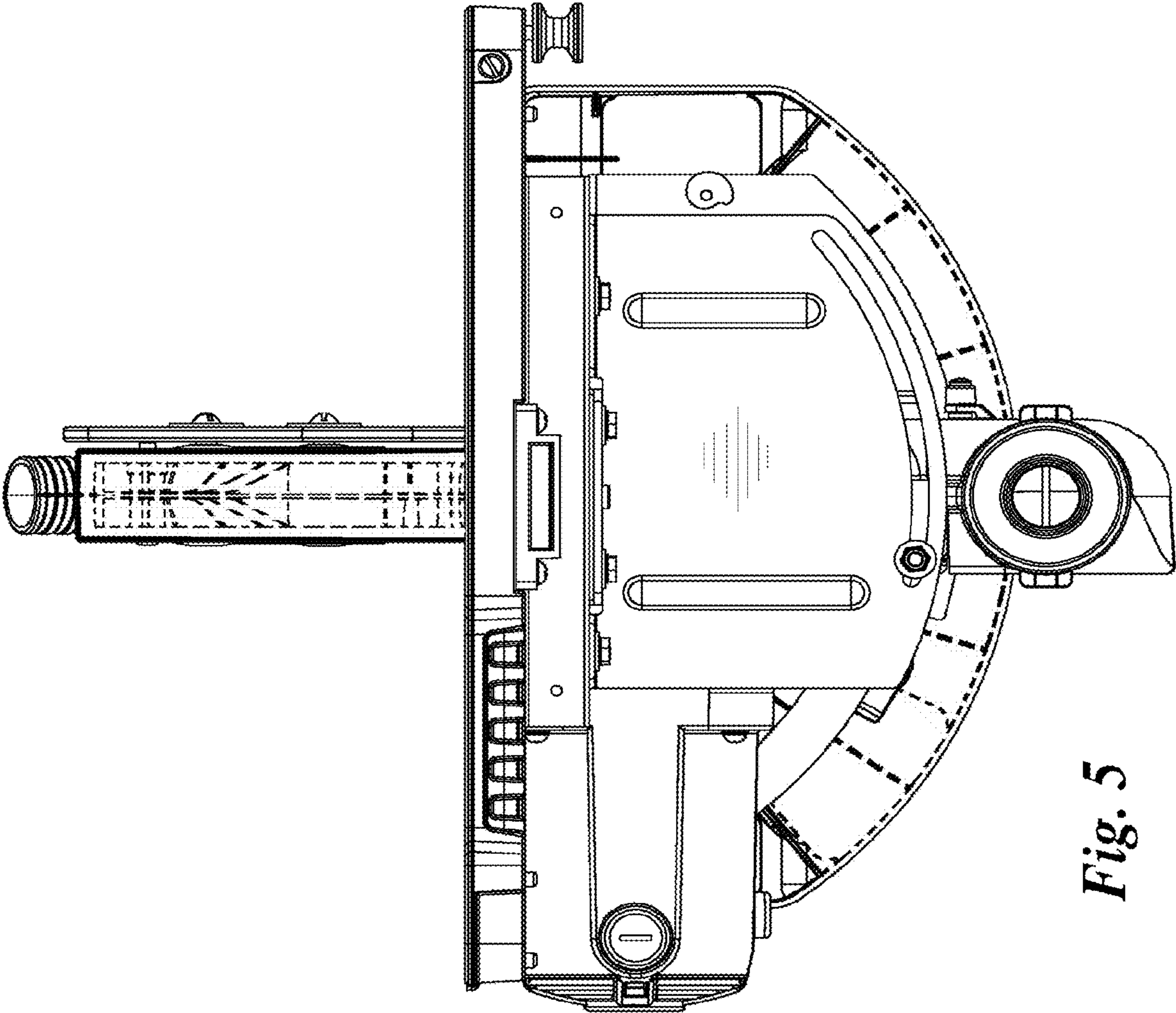


Fig. 5

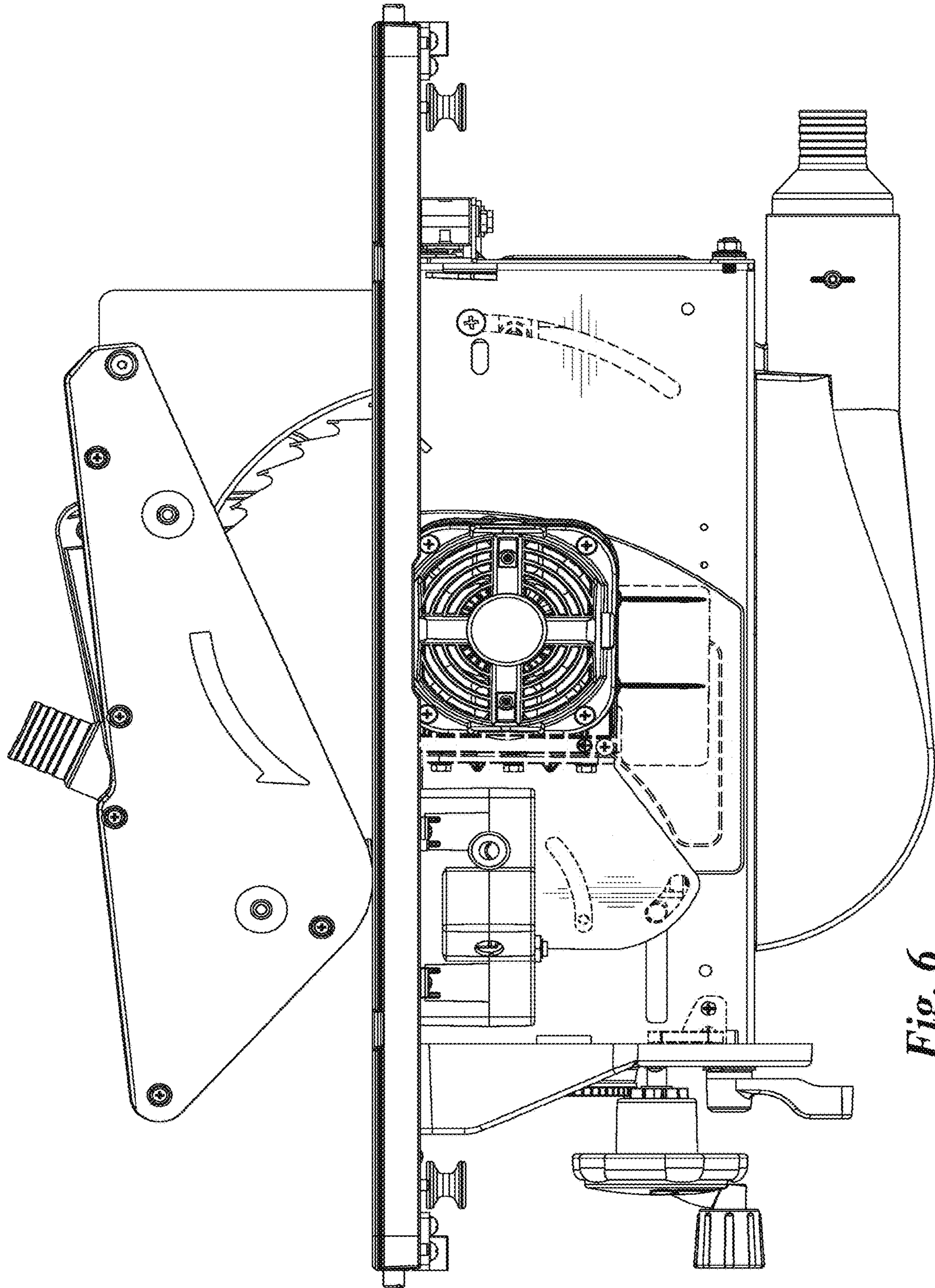


Fig. 6

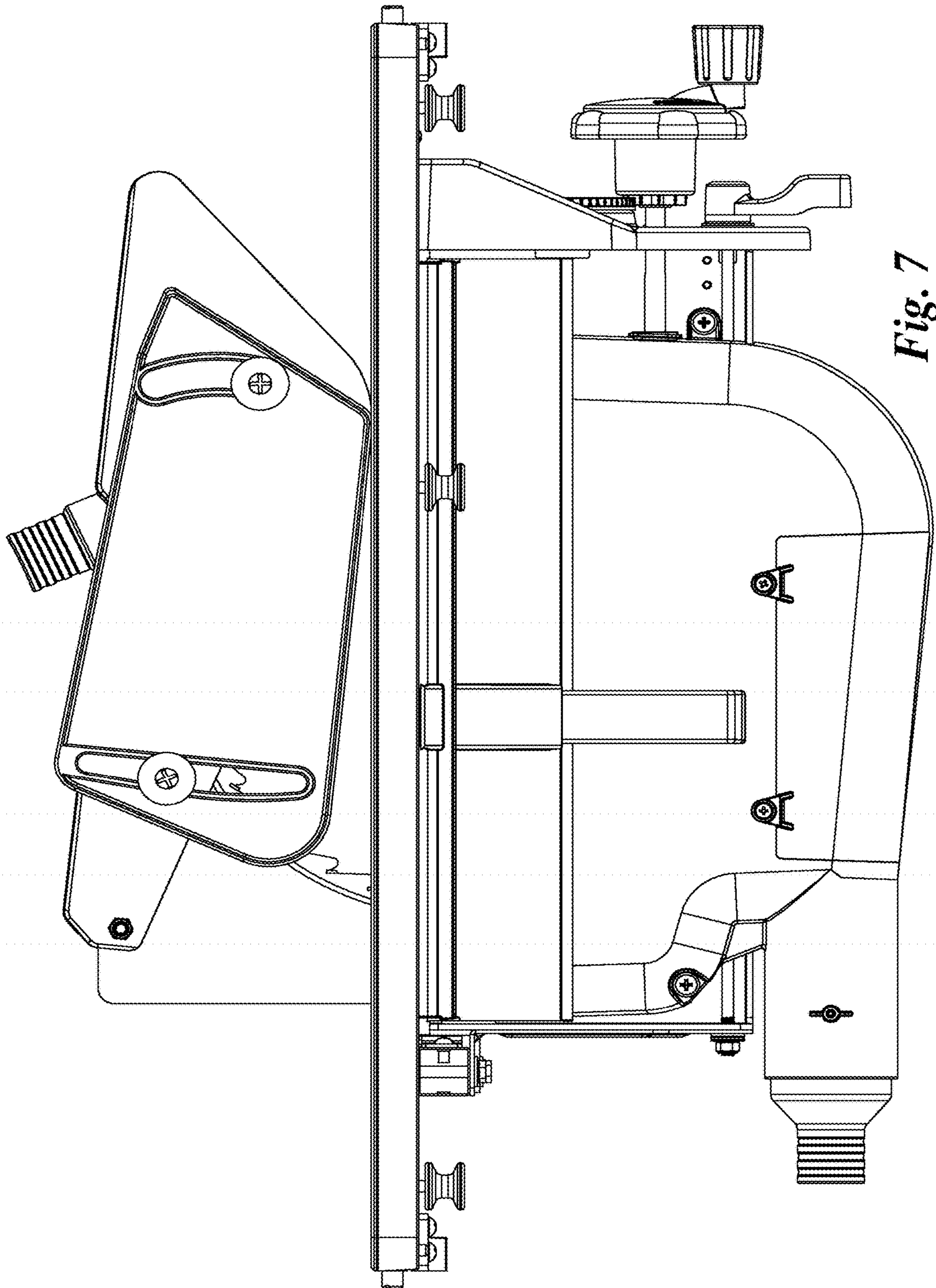


Fig. 7