



US00D902266S

(12) **United States Design Patent** (10) **Patent No.:** **US D902,266 S**  
**Oliver Gonzalez et al.** (45) **Date of Patent:** **\*\* Nov. 17, 2020**

(54) **3D PRINTER ACCESSORY**

(56) **References Cited**

(71) Applicant: **Hewlett-Packard Development Company, L.P.**, Spring, TX (US)

U.S. PATENT DOCUMENTS

D188,845 S \* 9/1960 Willey ..... D24/234  
D203,308 S \* 12/1965 Pulos ..... D18/14

(72) Inventors: **Andreu Oliver Gonzalez**, Barcelona (ES); **Marti Cot Ponti**, Barcelona (ES); **Anna Margareta Hjort**, Barcelona (ES)

(Continued)

FOREIGN PATENT DOCUMENTS

(73) Assignee: **Hewlett-Packard Development Company, L.P.**, Spring, TX (US)

CN 304613571 \* 5/2018  
CN 304672441 \* 6/2018

(Continued)

(\*\*) Term: **15 Years**

OTHER PUBLICATIONS

(21) Appl. No.: **29/686,909**

Solidpro. Link: <https://shop.solidpro.de/de/HP-Jet-Fusion-3D-Drucker-5200.html>. Visited Feb. 25, 2020. HP Jet Fusion 3D Drucker 5200. (Year: 2020).\*

(22) Filed: **Apr. 9, 2019**

(51) **LOC (12) Cl.** ..... **15-09**

(52) **U.S. Cl.**  
USPC ..... **D15/122**

*Primary Examiner* — Lauren D McVey

(74) *Attorney, Agent, or Firm* — HP Inc. Patent Department

(58) **Field of Classification Search**

USPC .... D15/122, 135, 138, 141; D18/14, 19, 50, D18/54, 54.1, 55, 59  
CPC ..... B22F 3/105; B22F 3/008; B29C 35/00; B29C 35/02; B29C 35/04; B29C 35/06; B29C 35/08; B29C 35/10; B29C 35/12; B29C 35/14; B29C 35/16; B29C 35/18; B29C 37/00; B29C 37/02; B29C 37/04; B29C 67/00; B29C 67/02; B29C 67/04; B29C 67/06; B29C 67/08; B29C 67/20; B29C 67/24; B29C 69/00; B29C 69/02; B29C 70/00; B29C 70/02; B29C 70/04; B29C 70/06; B29C 70/08; B29C 70/10; B29C 70/12; B29C 70/14; B29C 70/16; B29C 70/18; B29C 70/20; B29C 70/22; B29C 70/24; B29C 70/26; B29C 70/28; B29C 41/12; B29C 41/36; B29C 67/0081; B41J 2/155; B41J 2/17513; B41J 2/17556;

(57) **CLAIM**

We claim the ornamental design for a 3D printer accessory, as shown and described.

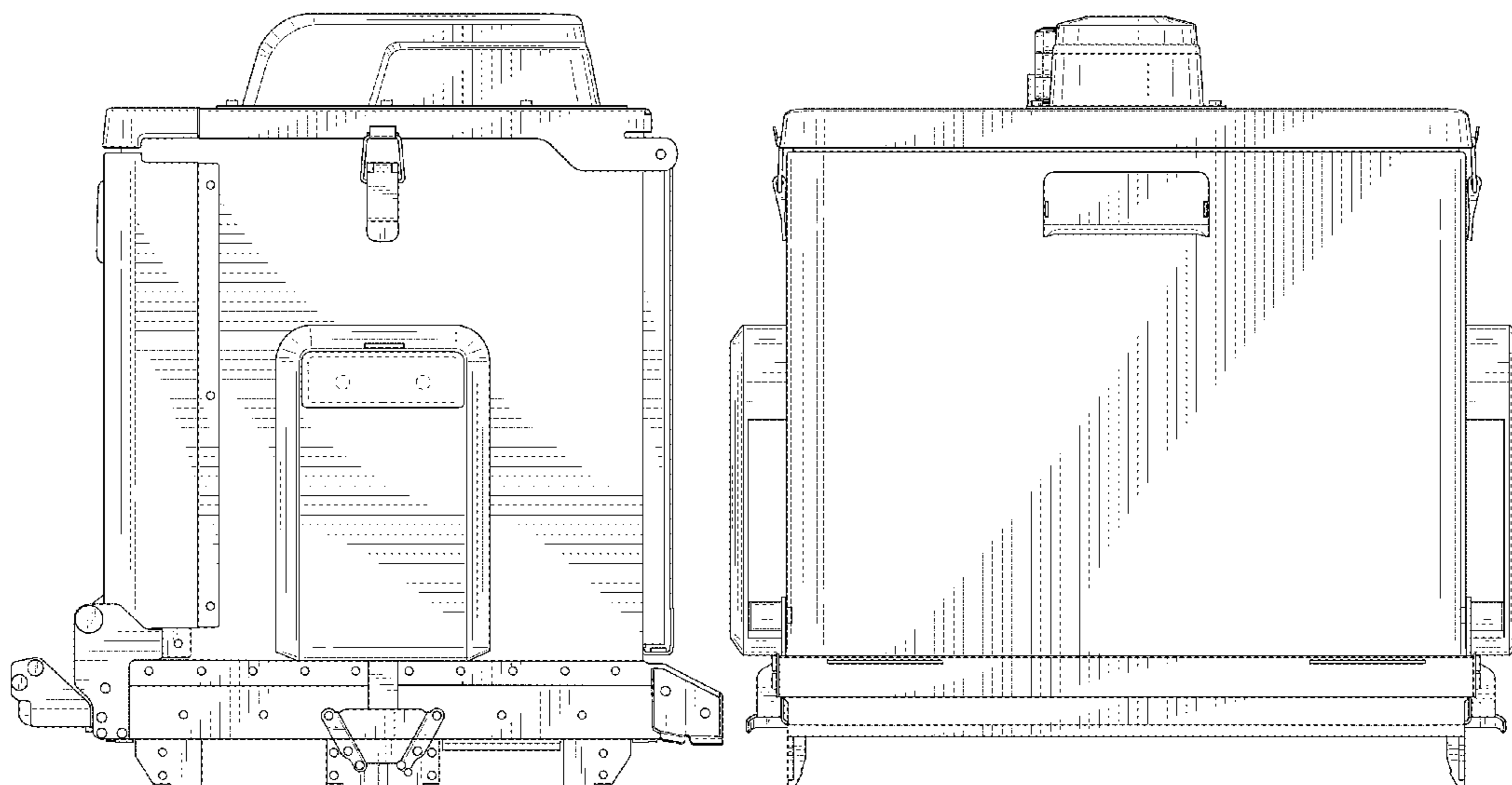
**DESCRIPTION**

FIG. 1 is a right perspective view of a 3D printer accessory; FIG. 2 is left perspective view thereof; FIG. 3 is a right side view thereof; FIG. 4 is a left side view thereof; FIG. 5 is a rear view thereof; FIG. 6 is a front view thereof; FIG. 7 is a top view thereof; and, FIG. 8 is a bottom view thereof.

The broken lines immediately adjacent to the claim that depict unshaded regions depict the bounds of the claimed design, while all other broken lines are directed to environment. The broken lines form no part of the claimed design.

(Continued)

**1 Claim, 8 Drawing Sheets**



(58) **Field of Classification Search**

CPC ..... B41J 2/17596; B41J 2/16552;  
B41J 2/16541; B41J 2002/20; B41J  
2002/14475; B29K 2995/0021

See application file for complete search history.

(56) **References Cited**

U.S. PATENT DOCUMENTS

D236,490 S \* 8/1975 Pycha ..... D18/55  
D350,150 S \* 8/1994 Weitkamp ..... D18/19  
D351,846 S \* 10/1994 Goss ..... D15/135  
D459,365 S \* 6/2002 Myers ..... E04G 21/025  
D15/19  
D768,740 S \* 10/2016 Akerstrom ..... D15/122  
D787,574 S \* 5/2017 Lee ..... D15/122  
D796,145 S \* 8/2017 Ruttan ..... D34/19  
D799,567 S \* 10/2017 Cesar ..... D15/122  
D819,902 S \* 6/2018 Leckrone ..... D32/1  
D874,528 S \* 2/2020 Horstmann ..... D15/138  
2003/0201697 A1 \* 10/2003 Richardson ..... A47B 81/00  
312/209

FOREIGN PATENT DOCUMENTS

CN 304678581 \* 6/2018  
CN 304981097 \* 1/2019  
CN 305596573 \* 2/2020

\* cited by examiner

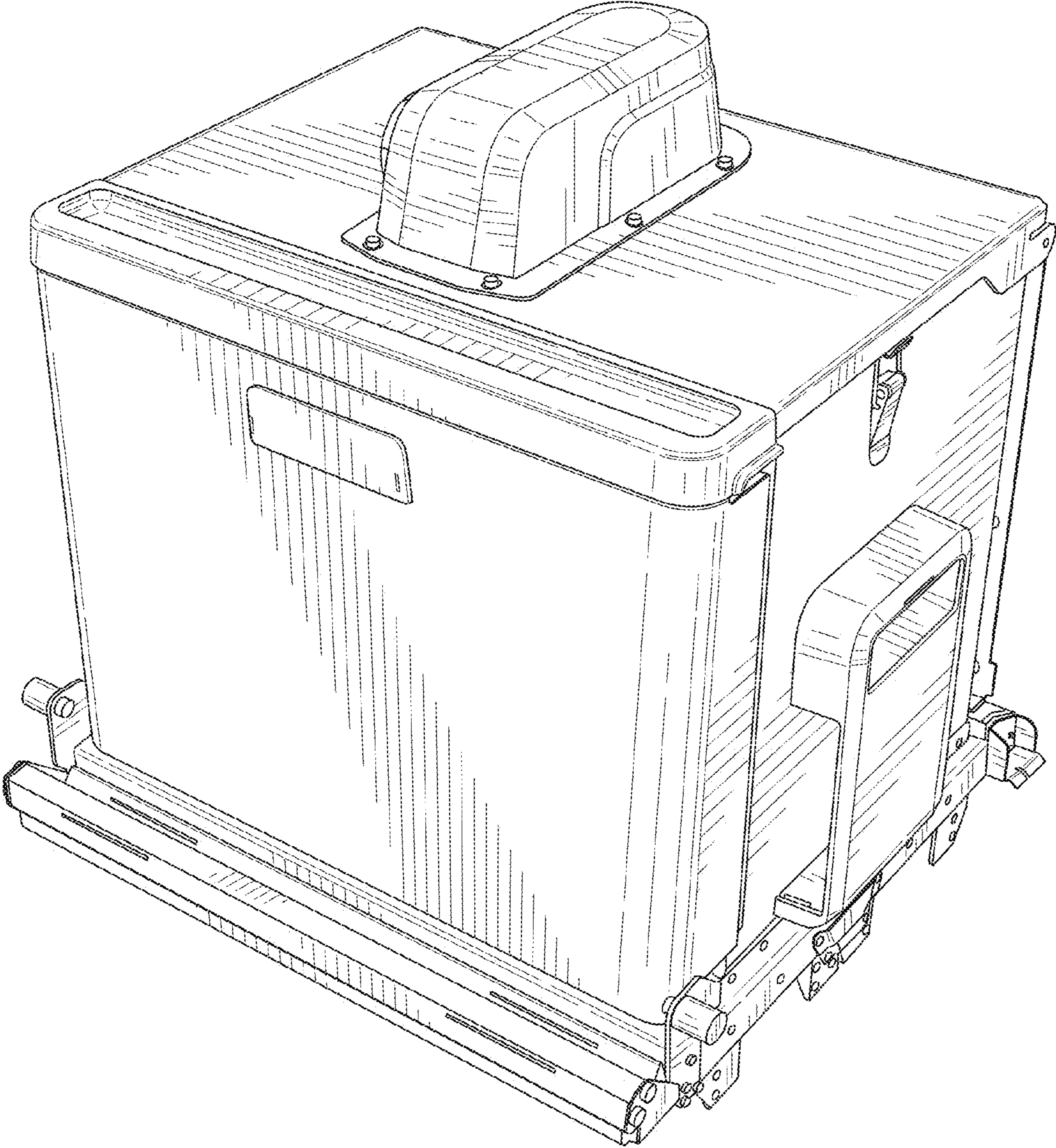


FIG. 1

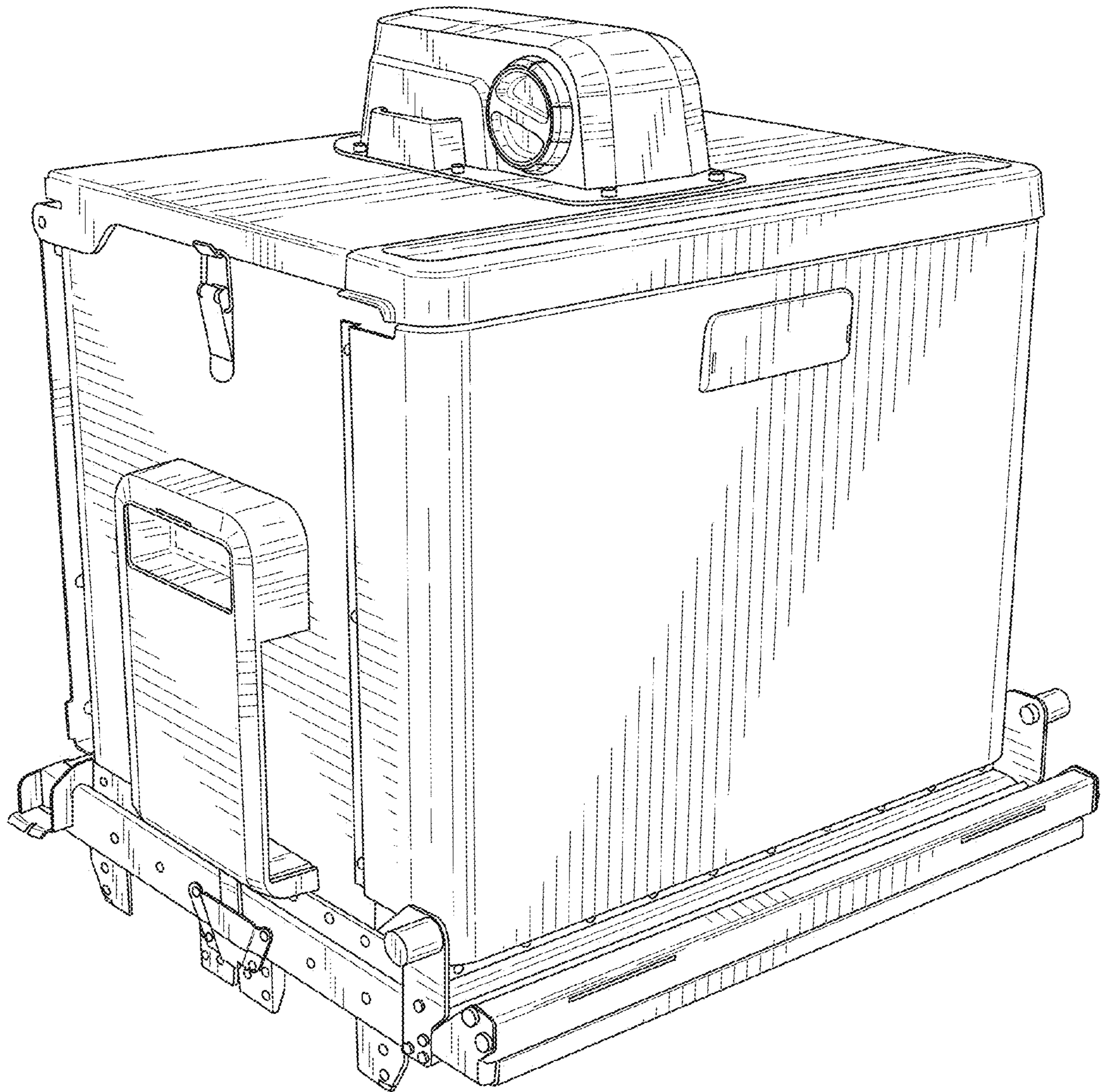


FIG. 2

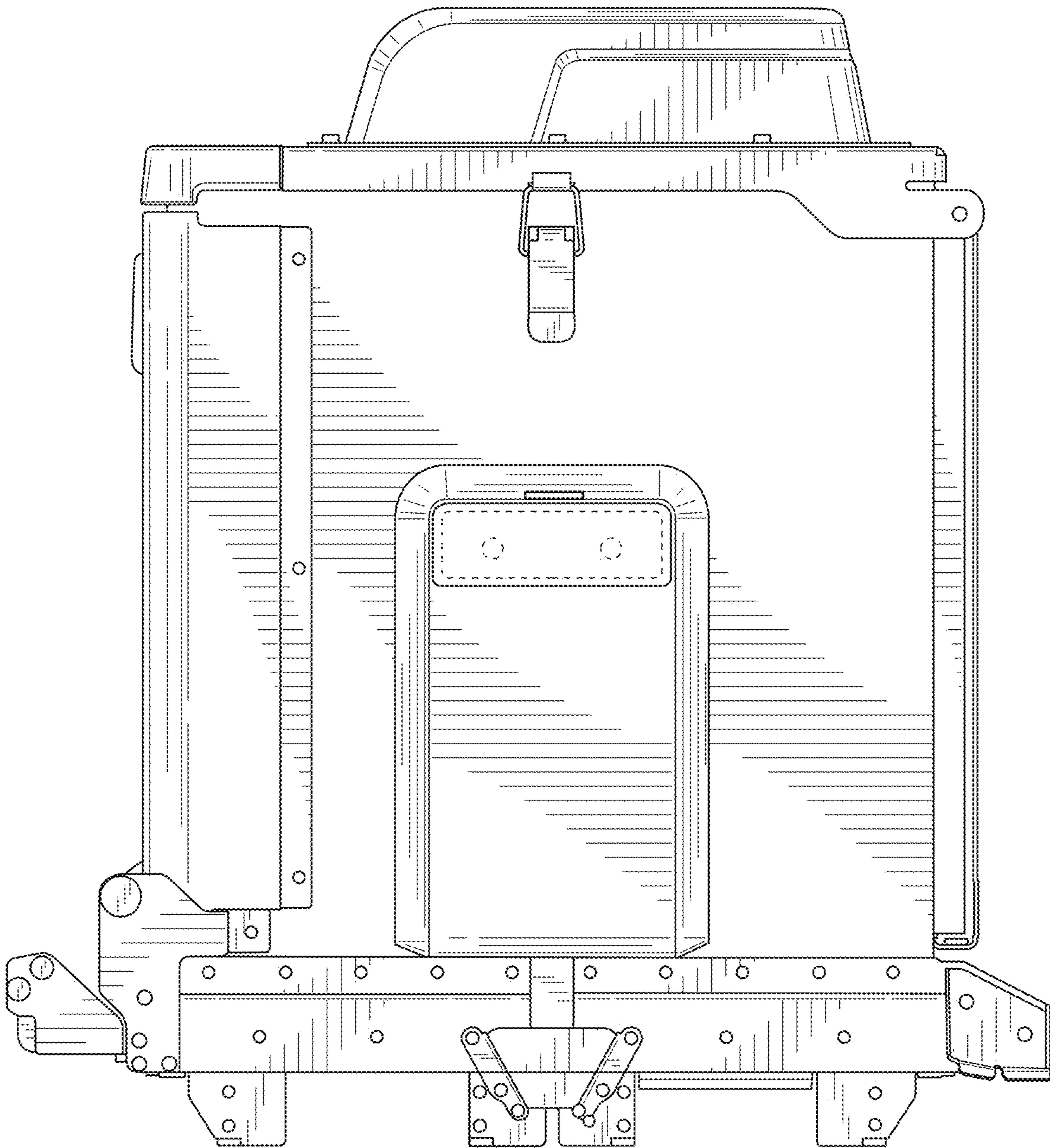


FIG. 3

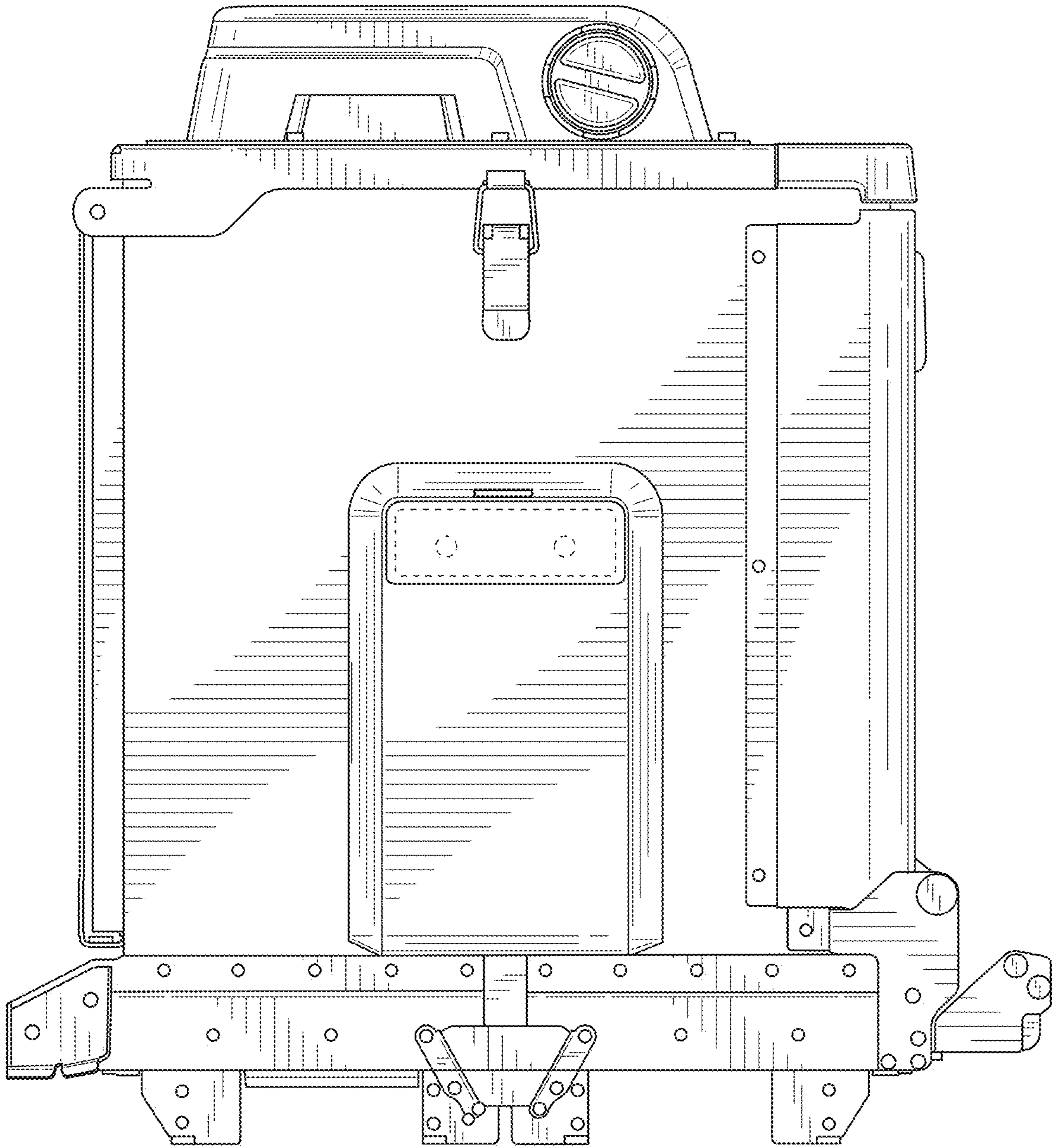


FIG. 4

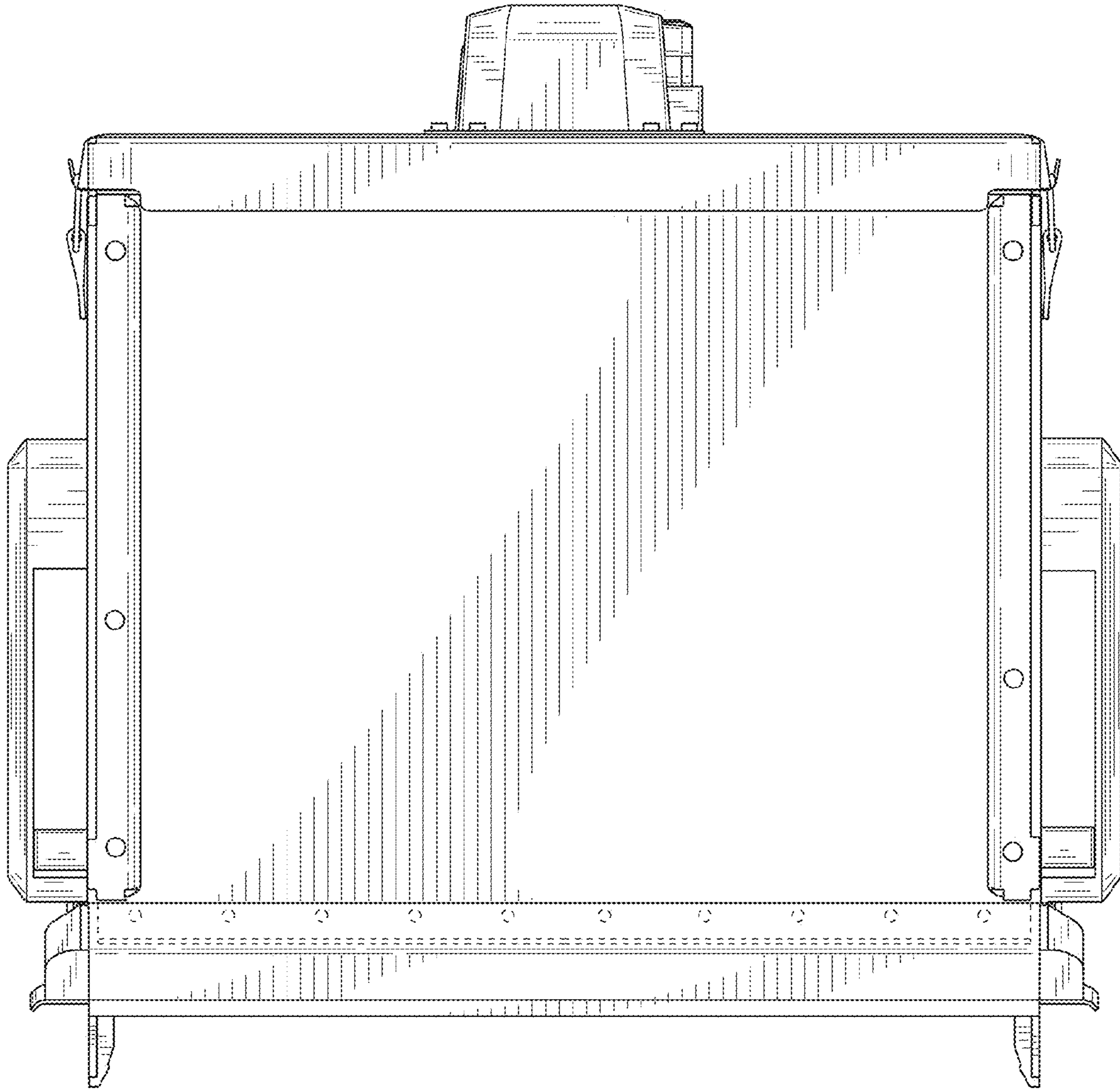


FIG. 5

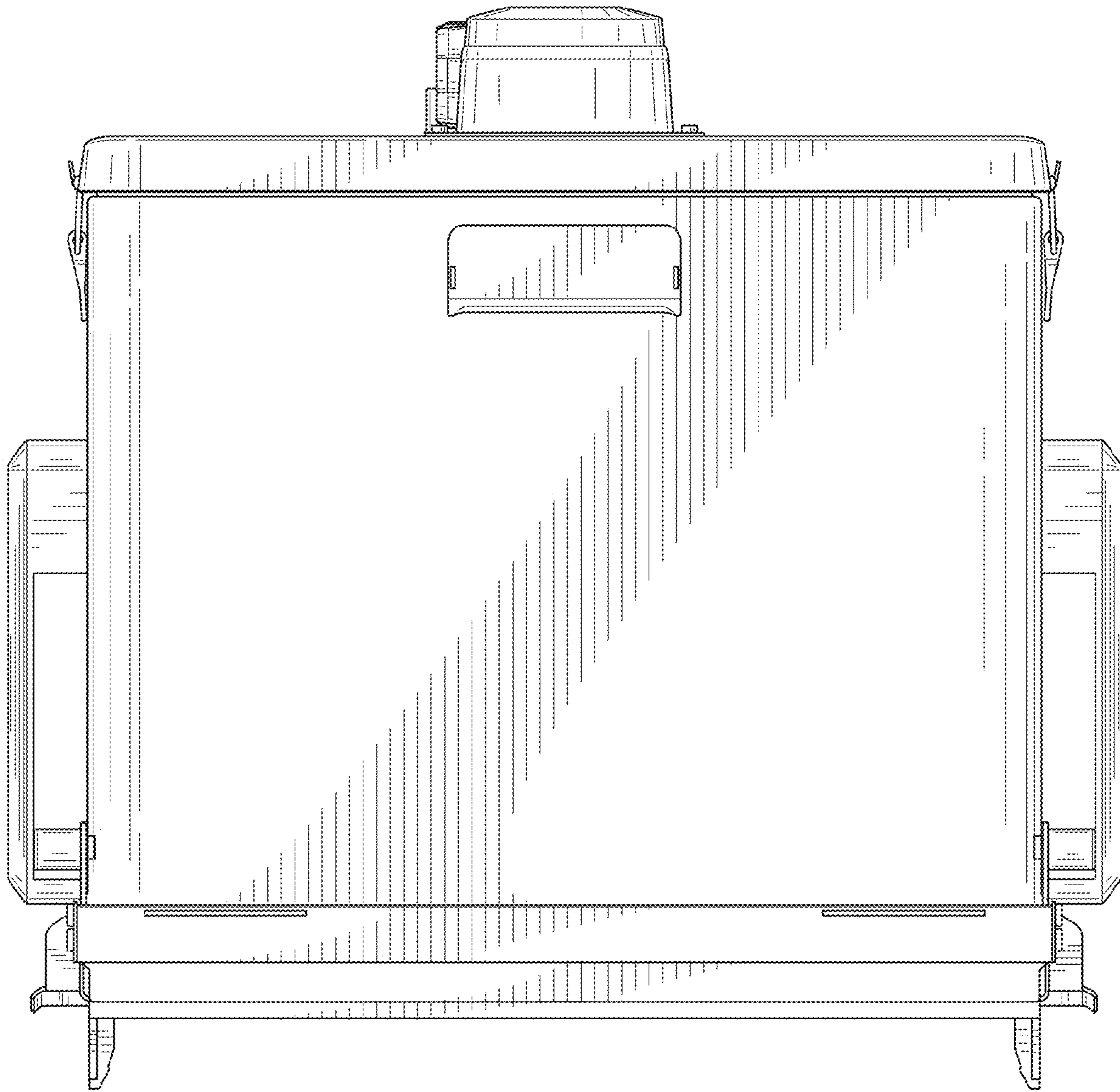


FIG. 6



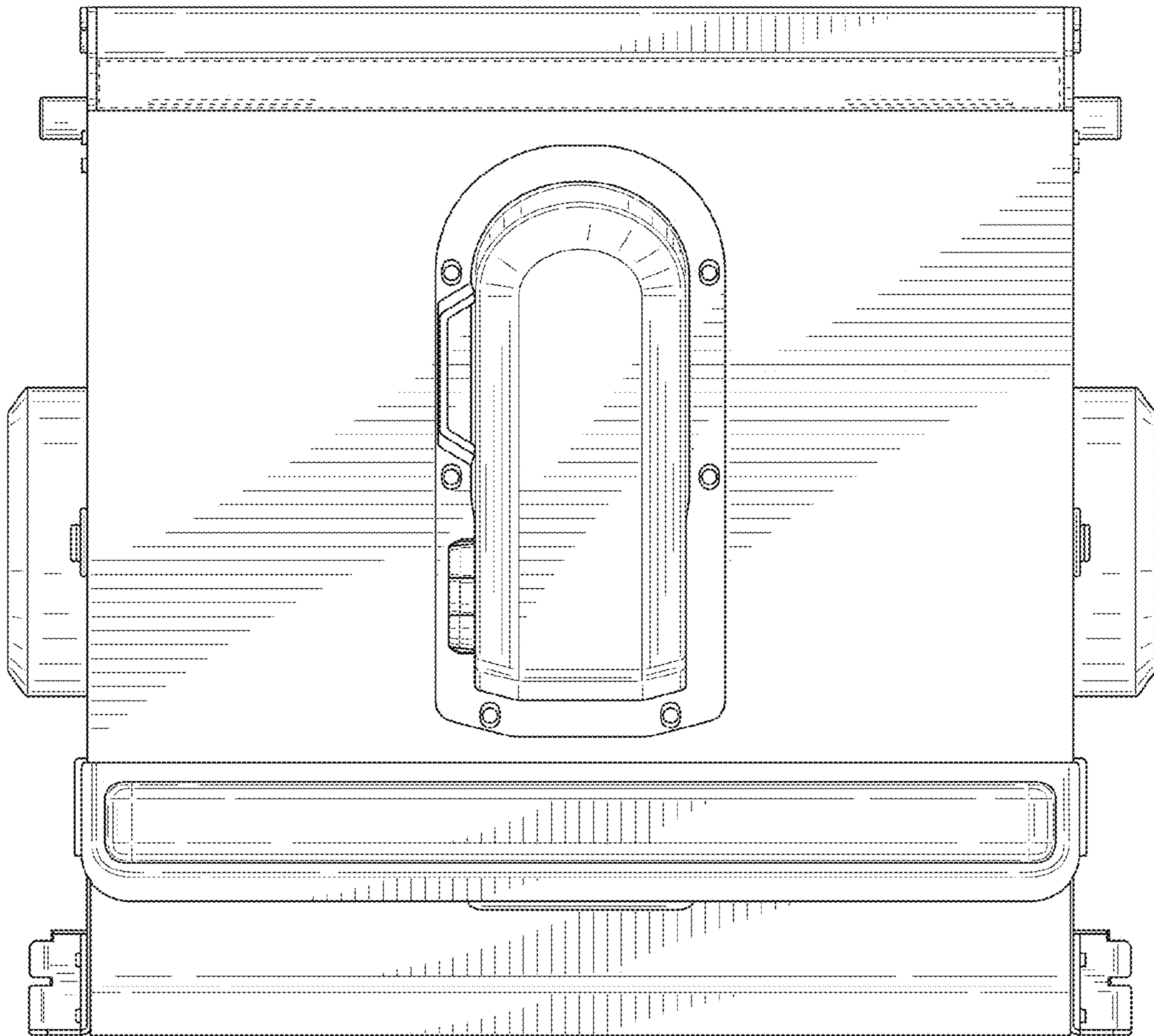


FIG. 7

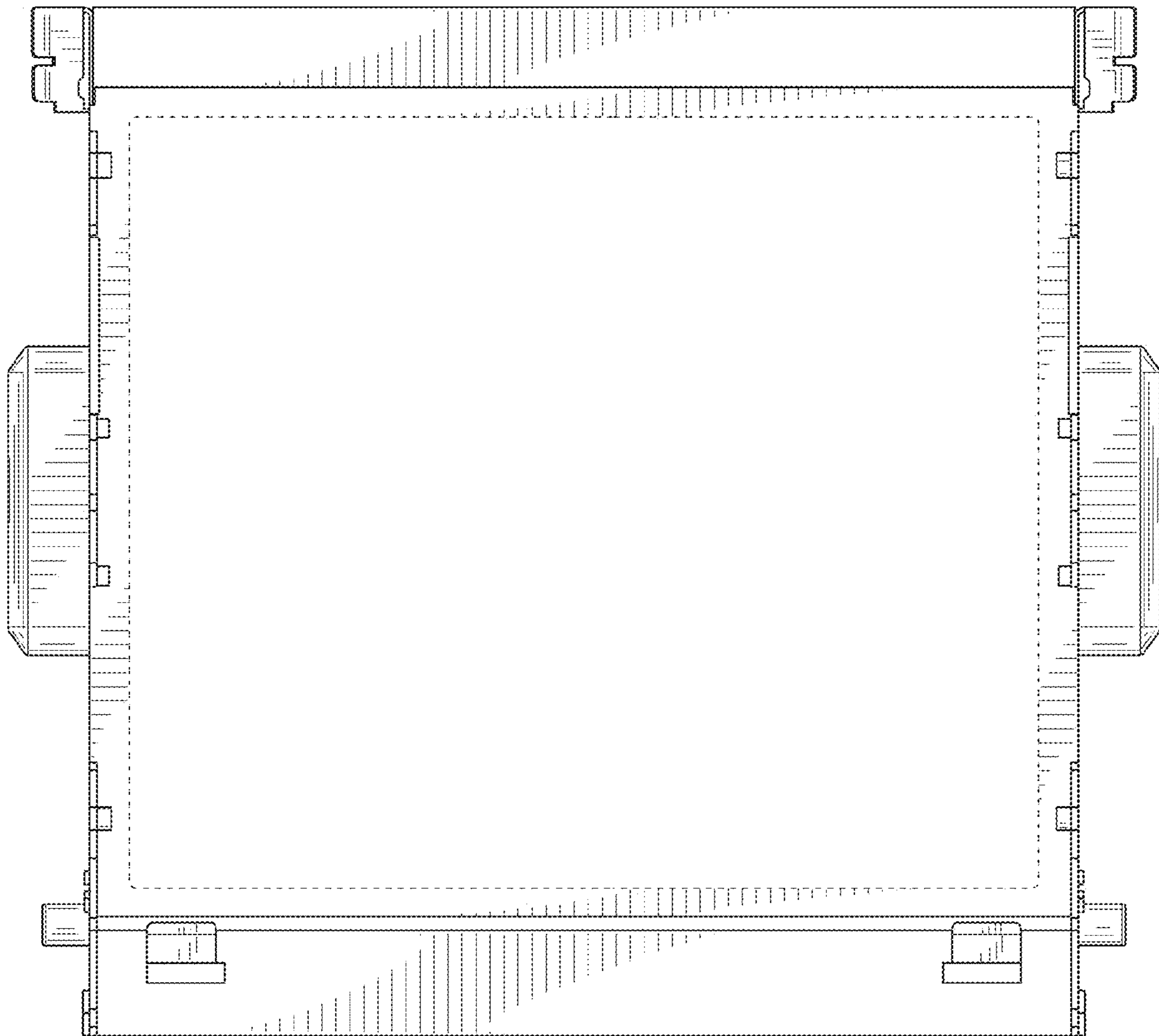


FIG. 8