



US00D902261S

(12) **United States Design Patent** (10) **Patent No.:** **US D902,261 S**
Vintzel et al. (45) **Date of Patent:** **** Nov. 17, 2020**

(54) **AIR COMPRESSOR**

(71) Applicant: **Harbor Freight Tools USA, Inc.**,
Calabasas, CA (US)

(72) Inventors: **James Constantine Vintzel**, Jackson,
TN (US); **Jeffrey N. Cutler**, Anderson,
SC (US)

(73) Assignee: **Harbor Freight Tools USA, INC.**,
Calabasas, CA (US)

(**) Term: **15 Years**

(21) Appl. No.: **29/704,555**

(22) Filed: **Sep. 5, 2019**

(51) **LOC (12) Cl.** **15-02**

(52) **U.S. Cl.**
USPC **D15/9**

(58) **Field of Classification Search**
USPC D13/103, 107; D23/210, 225, 231, 232;
D15/7-9
CPC F04B 41/00; F04B 41/02; F04B 41/04;
F04B 41/06; F04B 35/00; F04B 35/06;
F04B 35/002; F04B 35/86; F04B 31/00;
F04B 49/00; F04B 17/03; F04B 17/06;
F04B 33/005; F04B 33/00; F04B 33/02;
F04B 25/005

See application file for complete search history.

(56) **References Cited**

U.S. PATENT DOCUMENTS

D487,097 S *	2/2004	Buck	D15/9
D491,197 S *	6/2004	Stilwell	D15/9
D499,430 S *	12/2004	Buck	D15/9
D499,747 S *	12/2004	Buck	D15/9
D534,550 S *	1/2007	Beecham	D15/9
D537,840 S *	3/2007	Smith	D15/9
D553,647 S *	10/2007	Steinfels	D15/9
D559,272 S *	1/2008	Buck	D15/9

D575,309 S *	8/2008	Steinfels	D15/9
D603,871 S *	11/2009	Steinfels	D15/7
D664,996 S *	8/2012	Hsiao	D15/9
D680,555 S *	4/2013	Craig	D15/7
D680,556 S *	4/2013	Craig	D15/7

(Continued)

OTHER PUBLICATIONS

Briggs & Stratton, Briggs & Stratton 5-Gallon Single Stage Portable Electric Hot Dog Air Compressor, (site visited Jun. 29, 2020), Lowes.ca website, URL:<<https://www.lowes.ca/product/air-compressors/briggs-stratton-5-gallon-single-stage-portable-electric-hot-dog-air-compressor-723961>> (Year: 2020).*

(Continued)

Primary Examiner — Sheryl Lane

Assistant Examiner — Mark T. Philipps

(74) *Attorney, Agent, or Firm* — McAndrews Held & Malloy, Ltd.

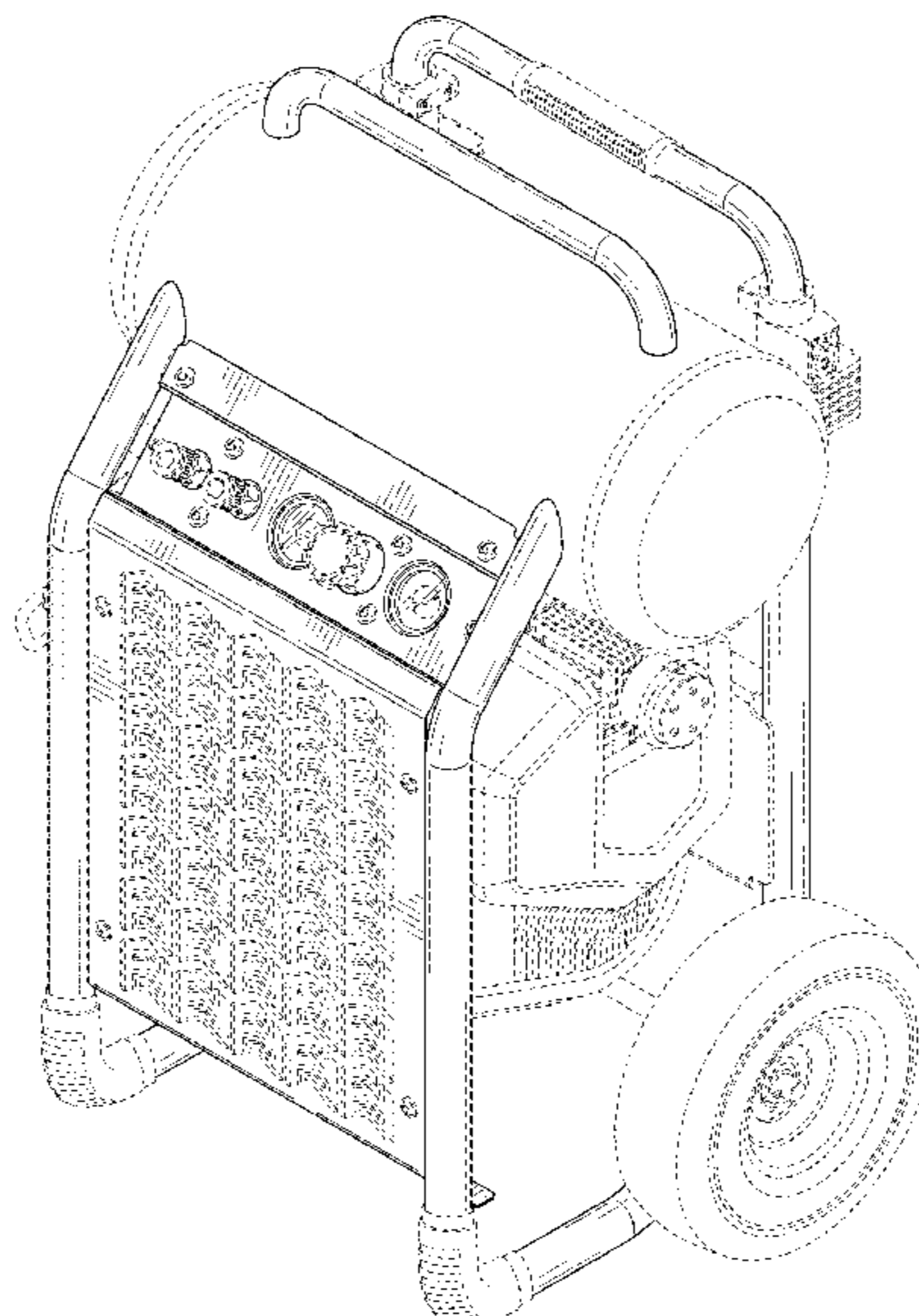
(57) **CLAIM**

The ornamental design for an air compressor, as shown and described.

DESCRIPTION

FIG. 1 is a top-front perspective view of an air compressor showing our new design;
FIG. 2 is a front elevation view thereof;
FIG. 3 is a rear elevation thereof;
FIG. 4 is a right side elevation view thereof;
FIG. 5 is a left side elevation view thereof;
FIG. 6 is a top plan view thereof;
FIG. 7 is a bottom plan view thereof;
FIG. 8 is a bottom-rear perspective view thereof; and,
FIG. 9 is another top-front perspective view thereof depicting the handle in an alternative position.
The dashed broken lines in the figures illustrate portions of the air compressor that form no part of the claimed design.

1 Claim, 9 Drawing Sheets



(56)

References Cited

U.S. PATENT DOCUMENTS

D710,902 S * 8/2014 Vintzel D15/9
D710,903 S * 8/2014 Vintzel D15/9

OTHER PUBLICATIONS

DeWalt, Air Compressor, 1.60 HP, Hot Dog, 120VAC, (site visited Jun. 29, 2020), Zoro.com website, URL:<<https://www.zoro.com/dewalt-air-compressor-160-hp-hot-dog-120vac-d55146/i/G5069850/>> (Year: 2020).*

Fortress, 5 Gallon 225 PSI High Performance Wheeled Jobsite Air Compressor, (site visited Jun. 30, 2020), Harbor Freight website, URL:<<https://www.harborfreight.com/5-gallon-225-psi-high-performance-wheeled-jobsite-air-compressor-56402.html>> (Year: 2020).*

* cited by examiner

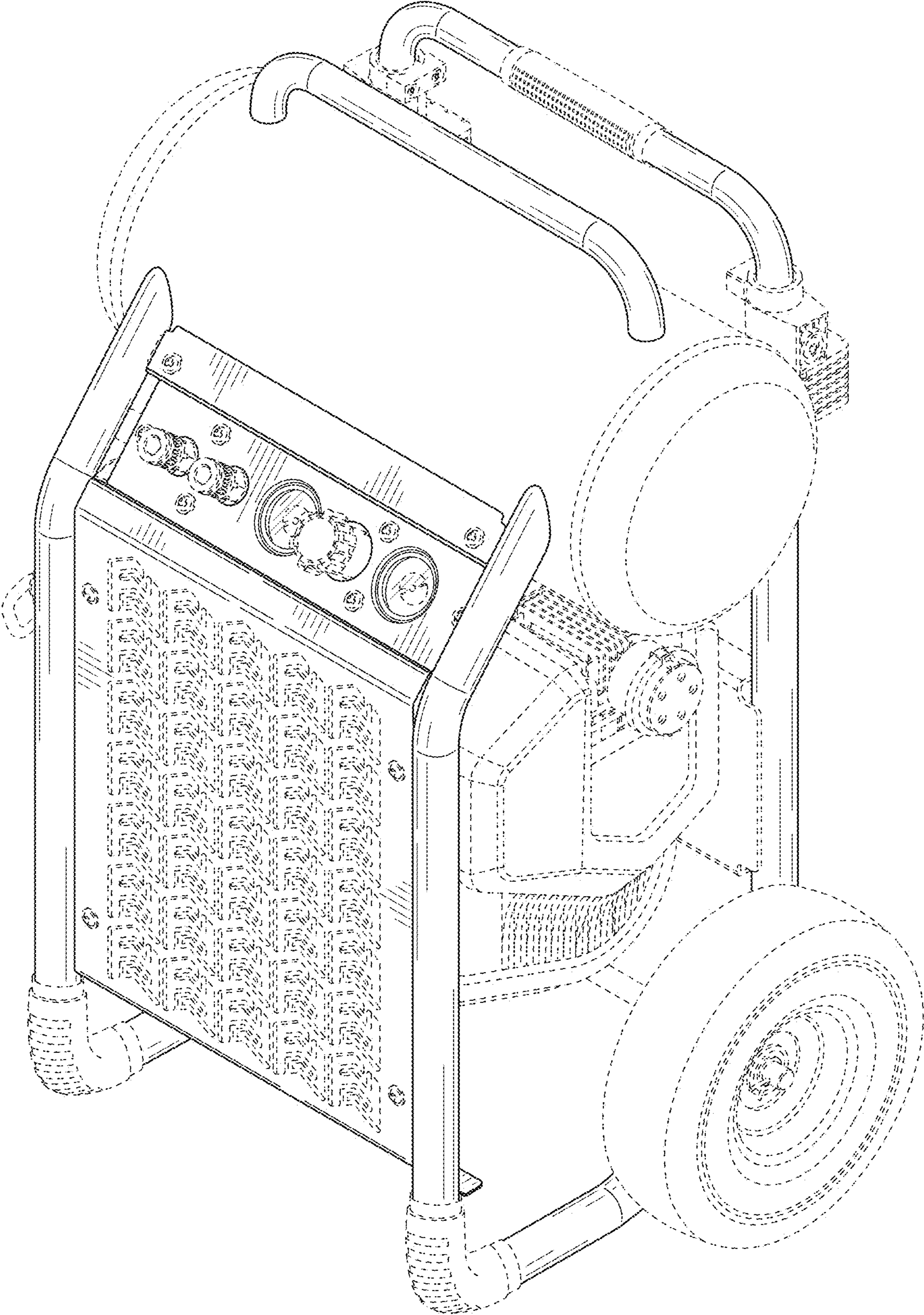


FIG. 1

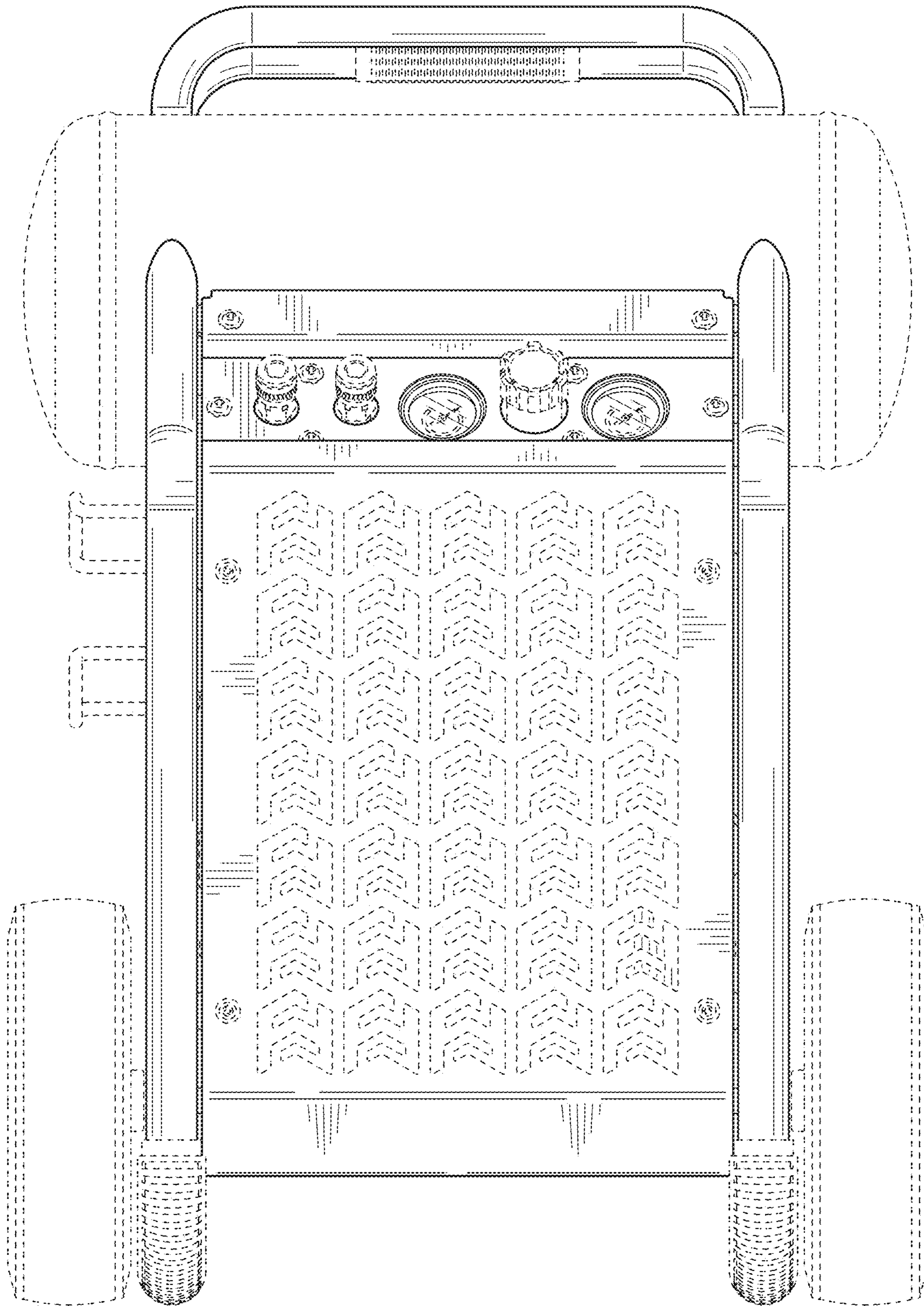


FIG. 2

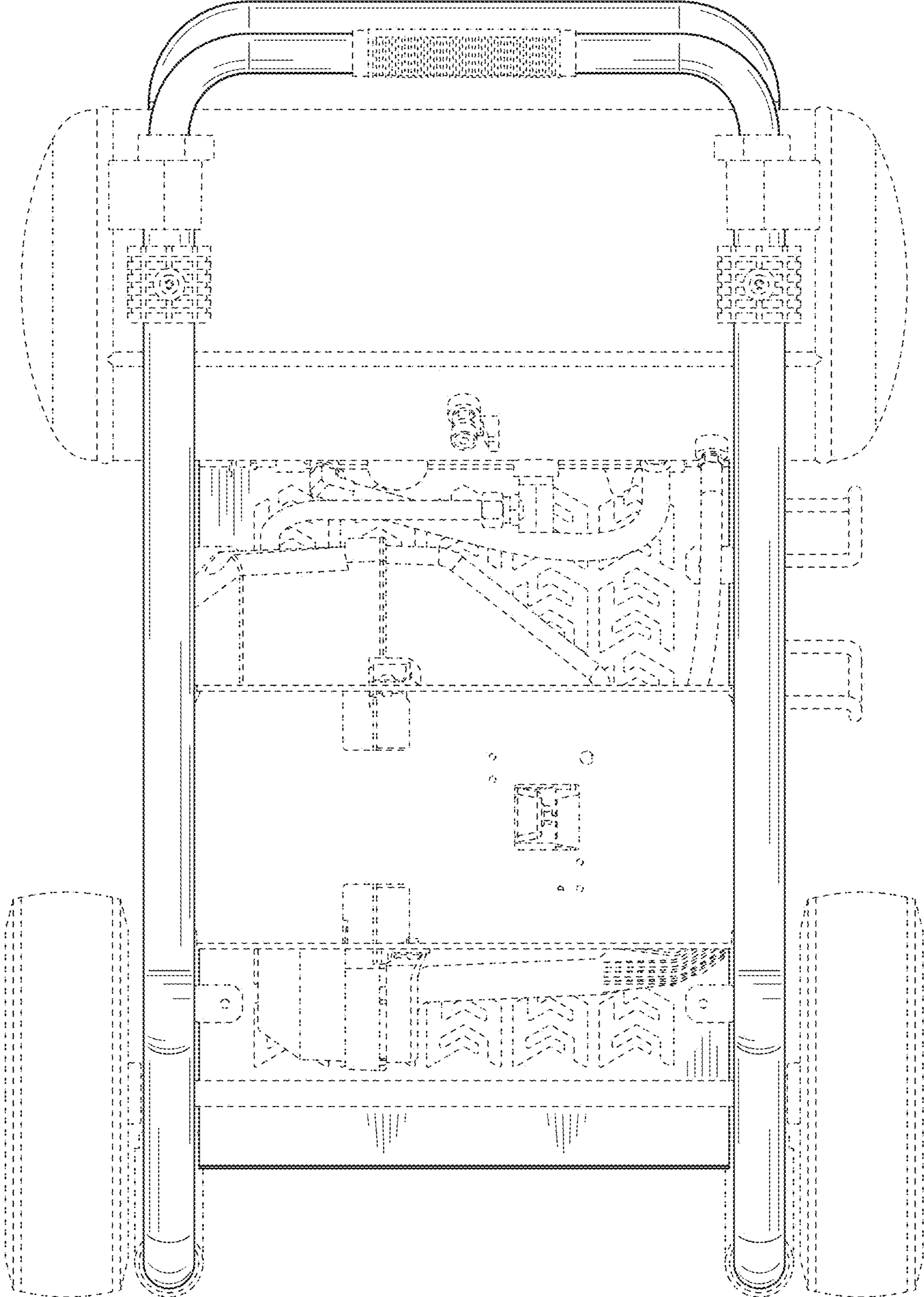


FIG. 3

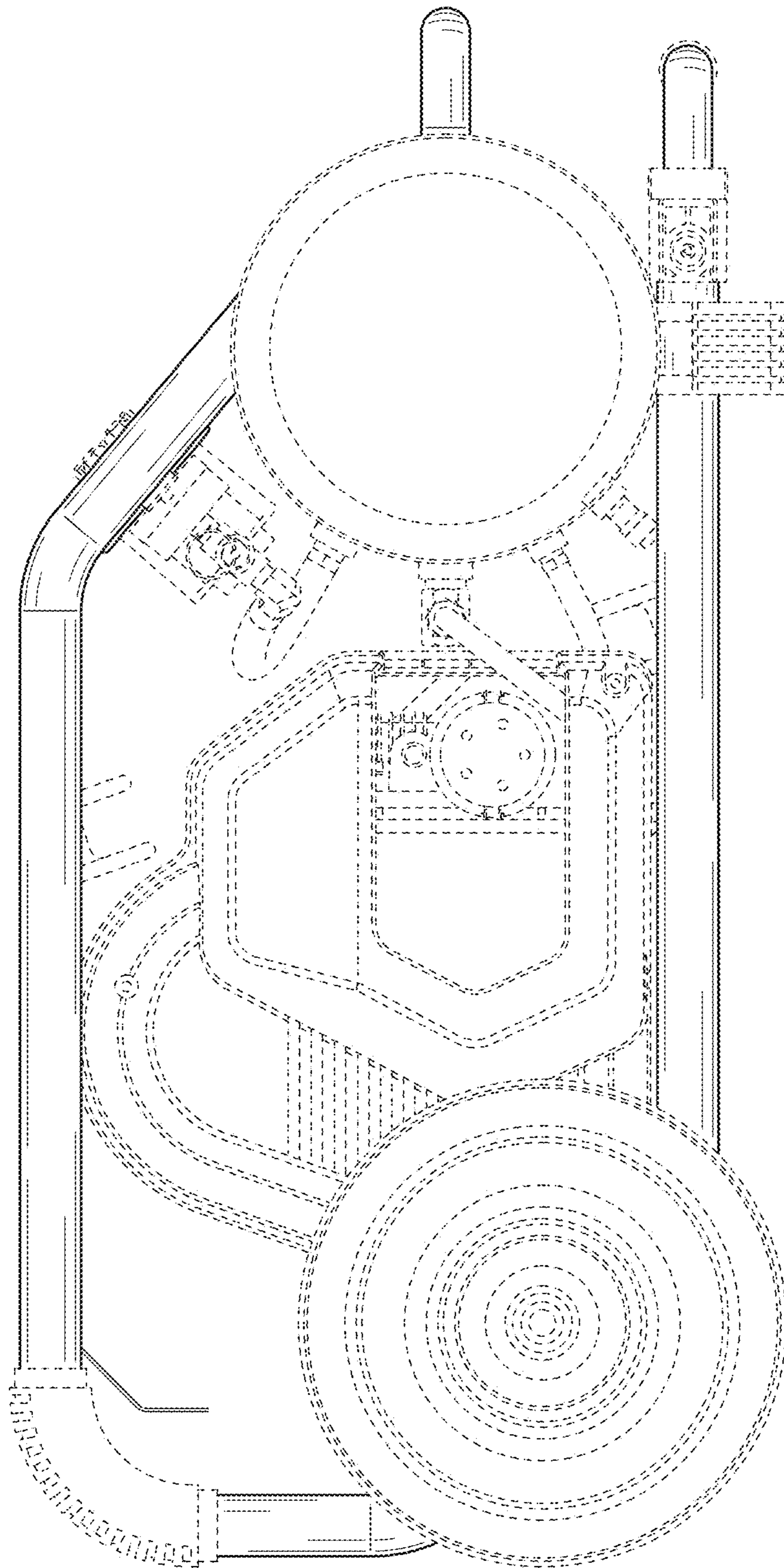


FIG. 4

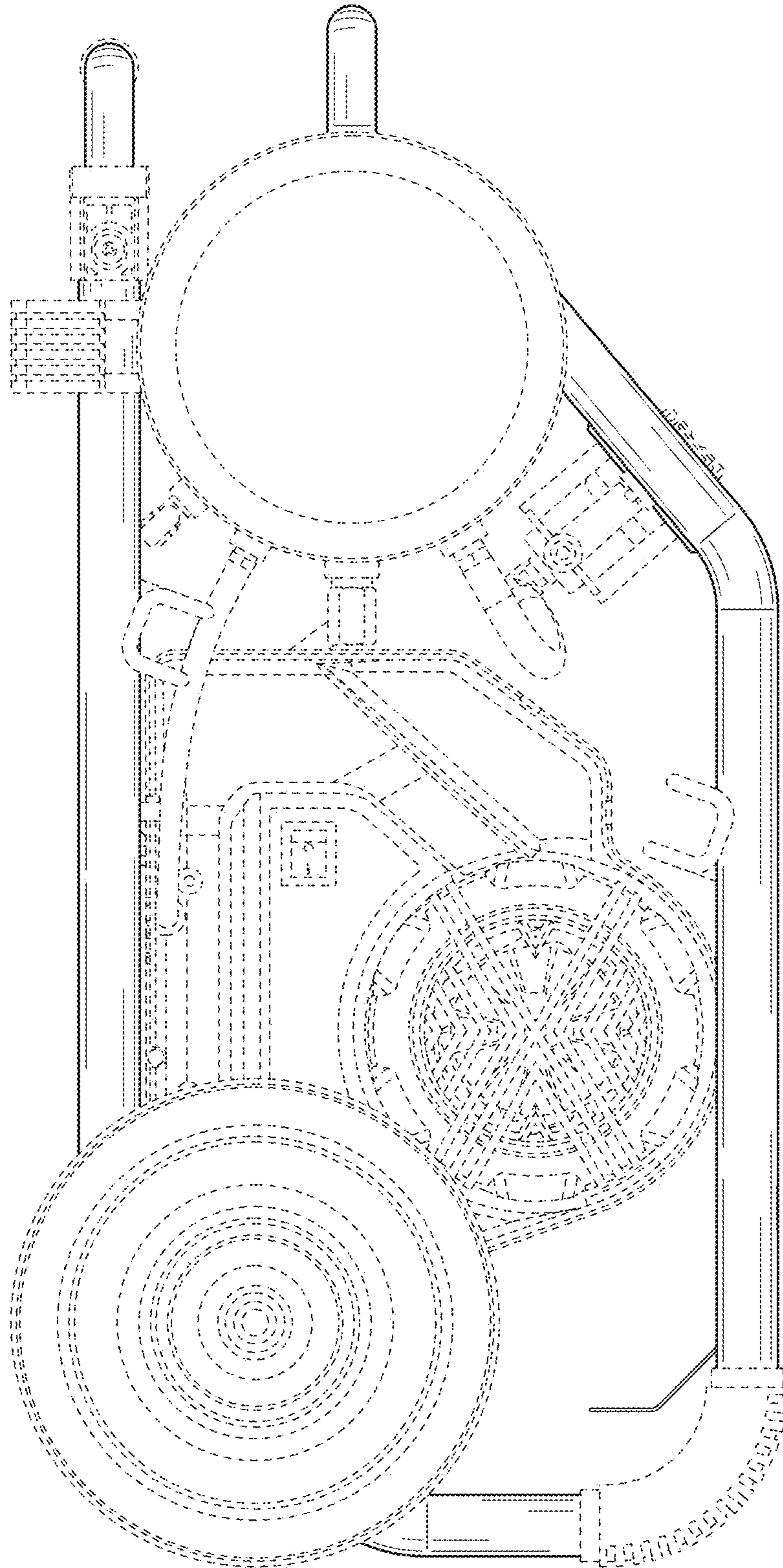


FIG. 5

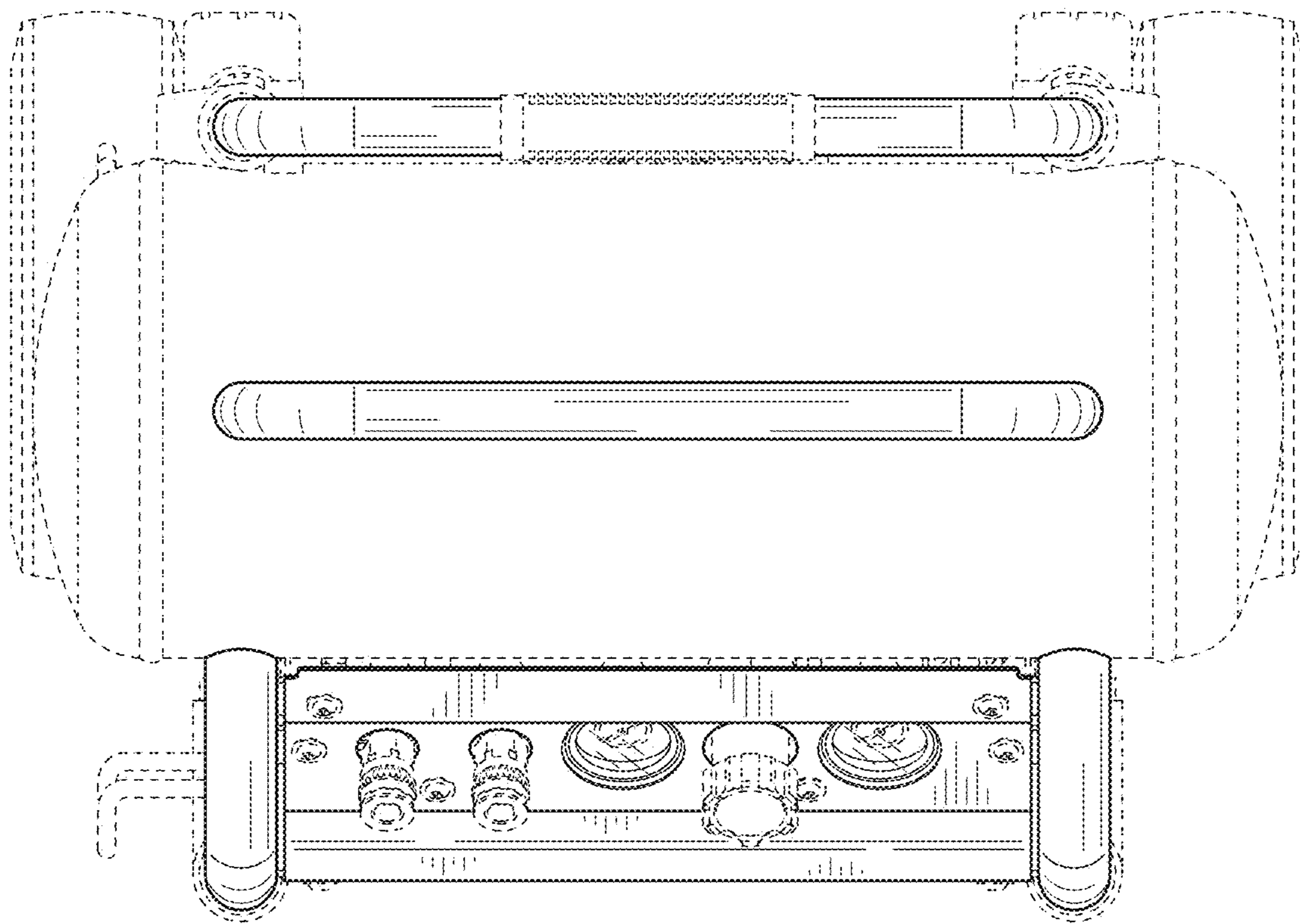


FIG. 6

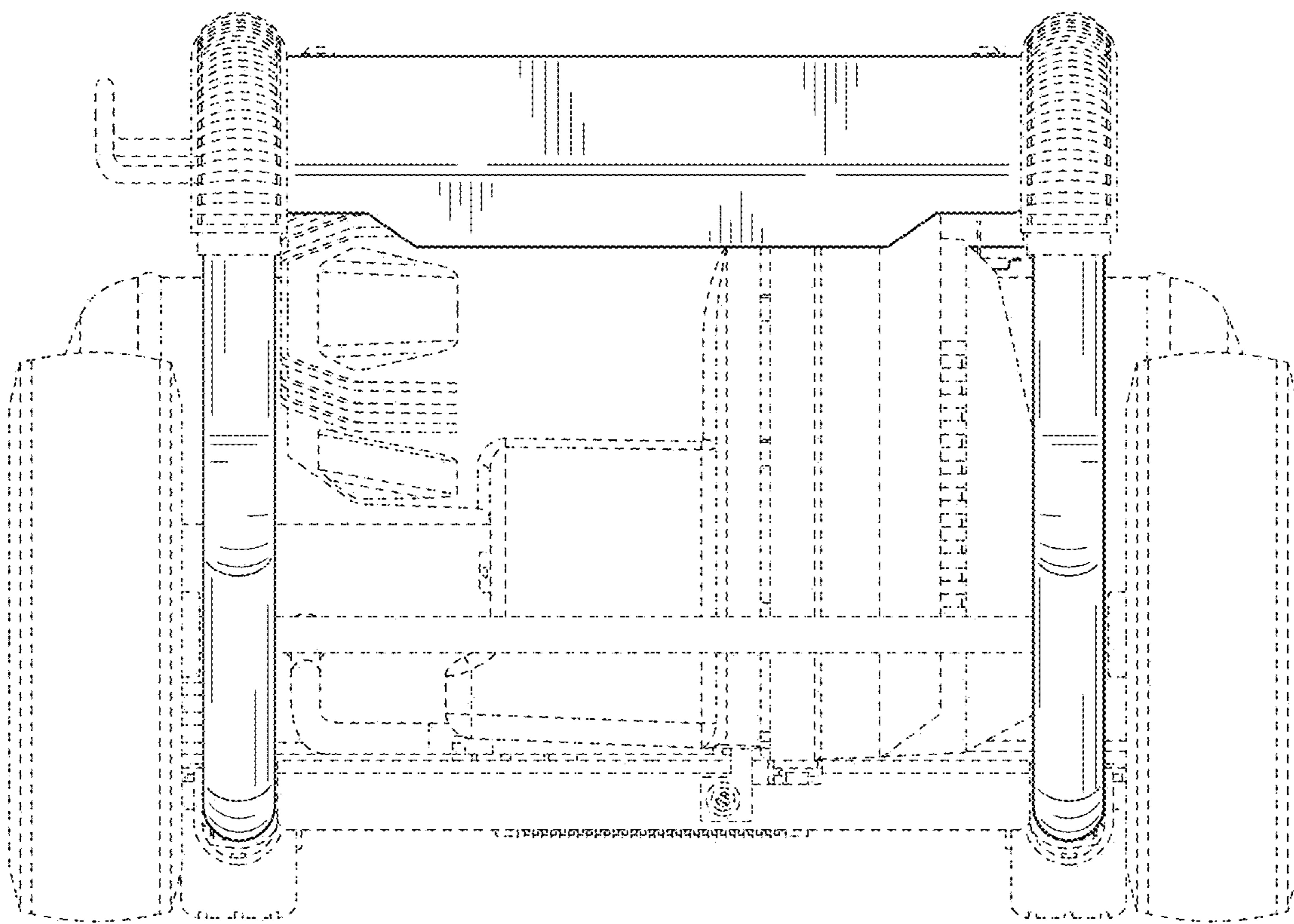


FIG. 7

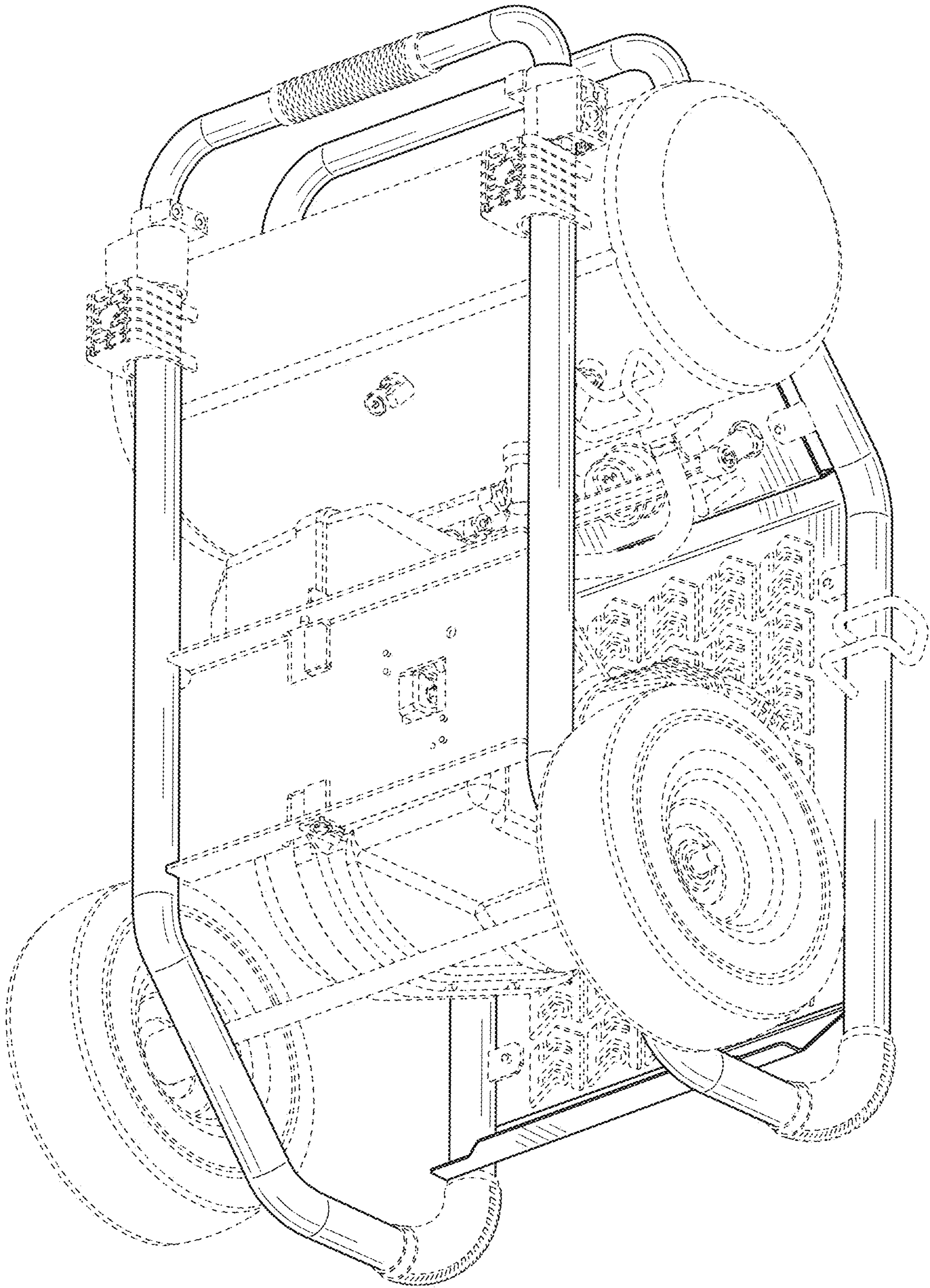


FIG. 8

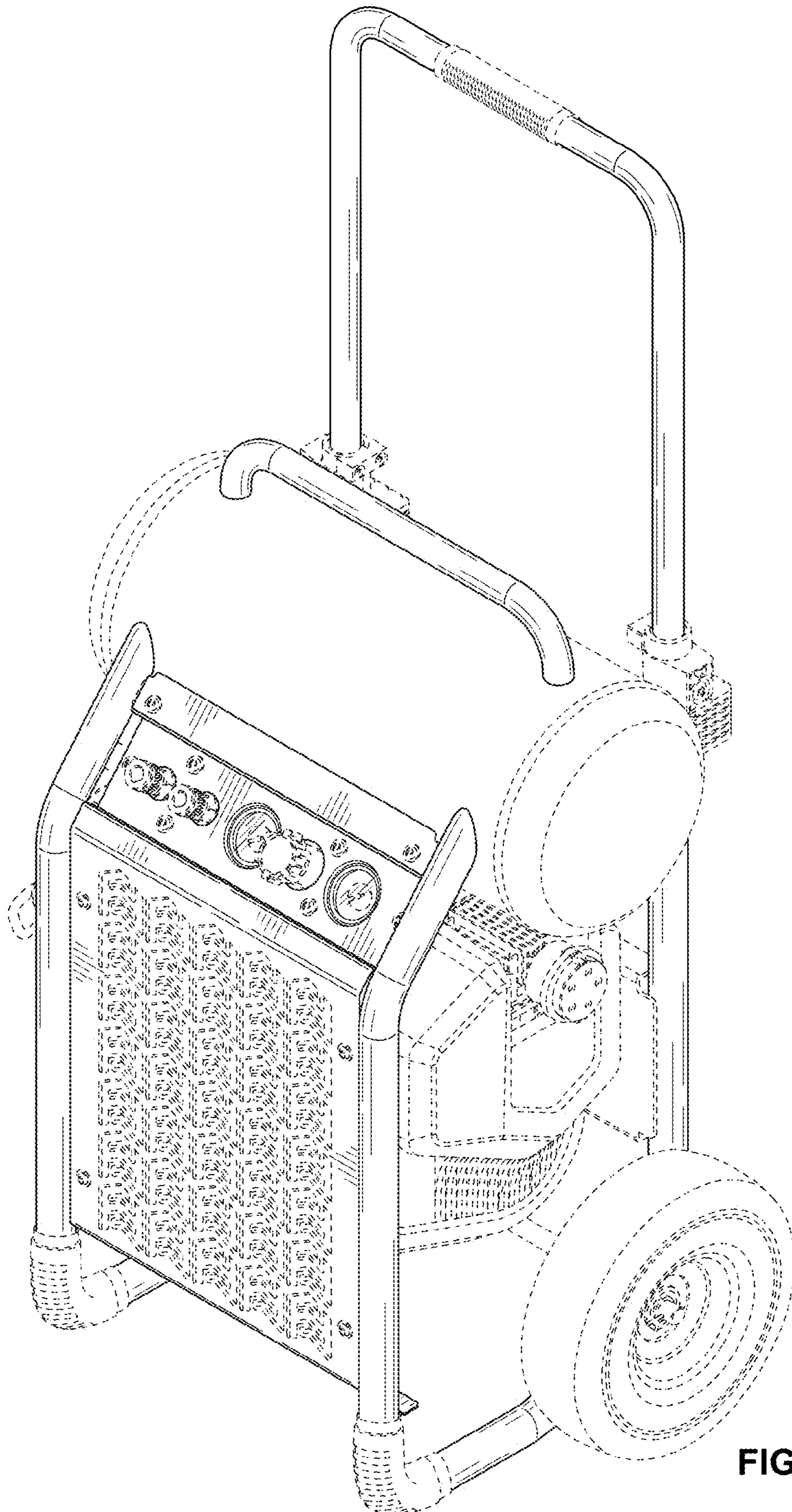


FIG. 9