



US00D902259S

(12) **United States Design Patent** (10) **Patent No.:** **US D902,259 S**
Vintzel et al. (45) **Date of Patent:** **** Nov. 17, 2020**

(54) **AIR COMPRESSOR**
(71) Applicant: **Harbor Freight Tools USA, Inc.**,
Calabasas, CA (US)
(72) Inventors: **James Constantine Vintzel**, Jackson,
TN (US); **Michael Matteo**, Los
Angeles, CA (US)
(73) Assignee: **Harbor Freight Tools USA, INC.**,
Calabasas, CA (US)
(**) Term: **15 Years**
(21) Appl. No.: **29/699,561**
(22) Filed: **Jul. 26, 2019**
(51) **LOC (12) Cl.** **15-02**
(52) **U.S. Cl.**
USPC **D15/9; D15/7**
(58) **Field of Classification Search**
USPC D15/7-9; D23/231-232; D13/103;
D24/111
CPC F04B 41/00; F04B 41/02-06; F04B 31/00;
F04B 35/00; F04B 53/92; F04B 1/005;
F04B 23/00; F02M 37/04; F02M 37/14
See application file for complete search history.

D512,075 S * 11/2005 Buck D15/9
D515,102 S * 2/2006 Buck D15/7
D515,591 S * 2/2006 Buck D15/9
D529,518 S * 10/2006 Buck D15/9
D530,725 S * 10/2006 Beckman D15/9
D531,191 S * 10/2006 Smith D15/9
D534,550 S * 1/2007 Beecham D15/9

(Continued)

OTHER PUBLICATIONS

Harbor Freight, Fortress 6 Gallon 175 PSI High Performance Hand Carry Jobsite Air Compressor, (site visited Jun. 17, 2020), Harborfreight.com, URL:<<https://www.harborfreight.com/6-gallon-175-psi-high-performance-hand-carry-jobsite-air-compressor-56829.html>> (Year: 2020).*

(Continued)

Primary Examiner — Sheryl Lane
Assistant Examiner — Mark T. Philipps
(74) *Attorney, Agent, or Firm* — McAndrews Held & Malloy, Ltd.

(57) **CLAIM**

The ornamental design for an air compressor, as shown and described.

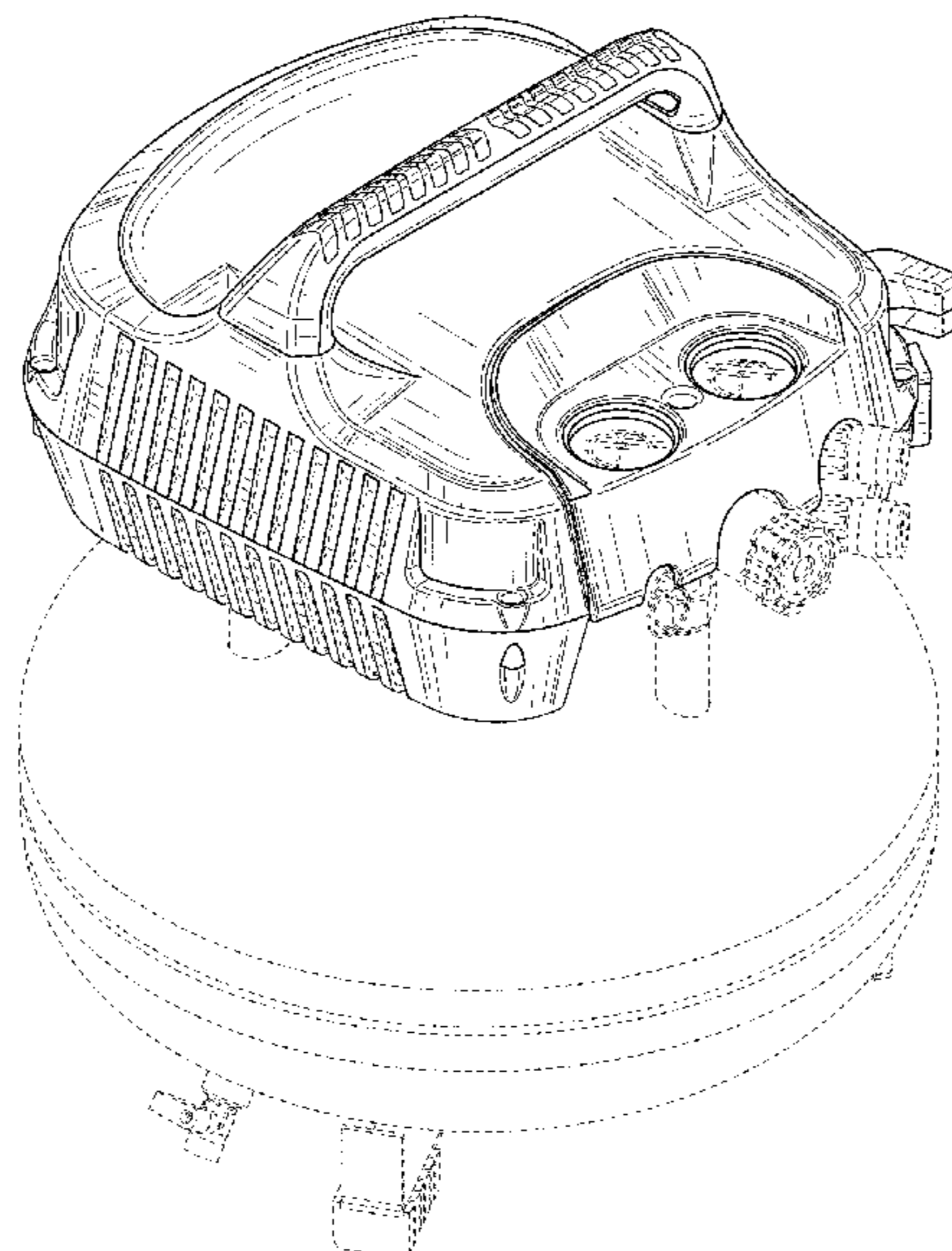
DESCRIPTION

FIG. 1 is a top-front perspective view of an air compressor showing our new design;
FIG. 2 is a front elevation view thereof;
FIG. 3 is a rear elevation thereof;
FIG. 4 is a right side elevation view thereof;
FIG. 5 is a left side elevation view thereof;
FIG. 6 is a top plan view thereof;
FIG. 7 is a bottom plan view thereof; and,
FIG. 8 is a bottom-rear perspective view thereof.
The dashed broken lines in the figures illustrate portions of the air compressor that form no part of the claimed design.

1 Claim, 8 Drawing Sheets

(56) **References Cited**
U.S. PATENT DOCUMENTS

D444,797 S * 7/2001 Davis D15/9
D460,763 S * 7/2002 Buck D15/9
D461,196 S * 8/2002 Buck D15/9
D471,918 S * 3/2003 Buck D15/9
D471,919 S * 3/2003 Buck D15/9
D482,371 S * 11/2003 Buck D15/9
D493,179 S * 7/2004 Buck D15/9
D499,117 S * 11/2004 Leasure D15/9
D499,747 S * 12/2004 Buck D15/9
D500,050 S * 12/2004 Lucchi D15/7
D500,051 S * 12/2004 Lucchi D15/9
D500,052 S * 12/2004 Lucchi D15/9



(56)

References Cited

U.S. PATENT DOCUMENTS

D539,309 S * 3/2007 Matsuoka D15/9
 D539,310 S * 3/2007 Matsuoka D15/9
 D556,219 S * 11/2007 Buck D15/9
 D559,272 S * 1/2008 Buck D15/9
 D575,308 S * 8/2008 Plunk D15/9
 D575,309 S * 8/2008 Steinfels D15/9
 D588,612 S * 3/2009 Steinfels D15/7
 D589,985 S * 4/2009 Steinfels D15/9
 D590,843 S * 4/2009 Averill D15/9
 D603,871 S * 11/2009 Steinfels D15/7
 D618,707 S * 6/2010 Schuetz D15/7
 D664,996 S * 8/2012 Hsiao D15/9
 D667,467 S * 9/2012 Kosugi D15/9
 D668,683 S * 10/2012 Balma D15/9
 D680,555 S * 4/2013 Craig D15/7
 D718,790 S * 12/2014 Yang D15/9
 D749,643 S * 2/2016 Craig D15/9
 D754,755 S * 4/2016 Suthmann D15/9
 D769,944 S * 10/2016 Sheedy D15/9
 D774,554 S * 12/2016 Imsand D15/7

D776,168 S * 1/2017 Balma D15/9
 D792,473 S * 7/2017 Imsand D15/7
 2016/0178084 A1* 6/2016 White F04B 39/12
 137/553

OTHER PUBLICATIONS

Bostitch, Bostitch Pancake Air Compressor, Oil-Free, 6 Gallon, 150 PSI (BTFP02012), (first listed Mar. 10, 2015), Amazon.com, URL:<<https://www.amazon.com/Bostitch-BTFP02012-Gallon-Oil-Free-Compressor/dp/B00UHNM1R0>> (Year: 2015).*

Senco, Pancake Air Compressor, 6 gal., 1½ HP, (Jun. 17, 2020), Zoro.com, URL:<<https://www.zoro.com/senco-pancake-air-compressor-6-gal-1-12-hp-pc1280/i/G4564056/>> (Year: 2020).*

Porter Cable, Porter Cable® C2002-WK Portable Electric Air Compressor, (site visited Jun. 17, 2020), Global Industrial, URL:<<https://www.globalindustrial.com/p/pneumatics/air-compressors/portable-air-compressors/porter-cable-6-gal-oil-free-compressor-c2002-wk-13-pc-kit-60229>> (Year: 2020).*

* cited by examiner

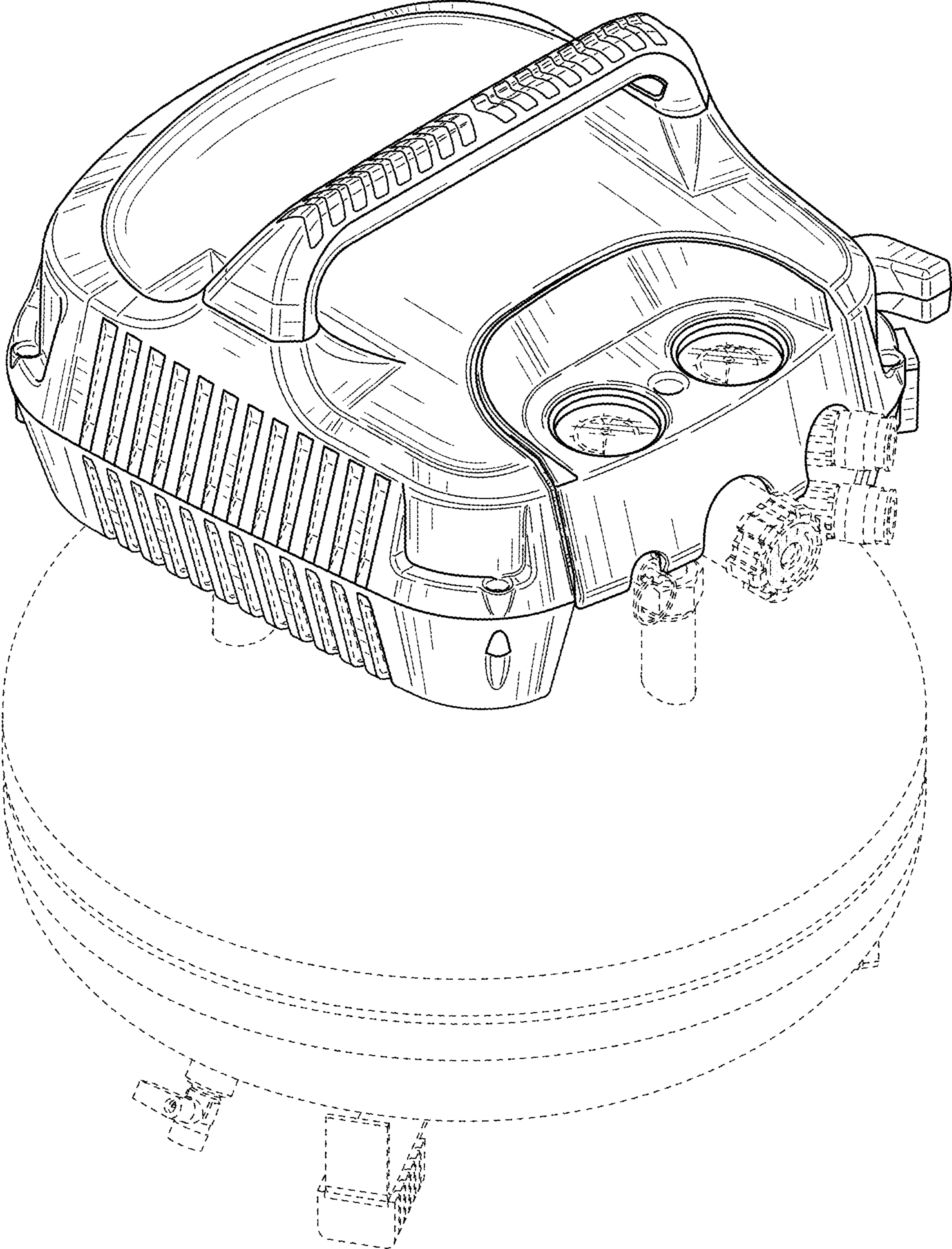


FIG. 1

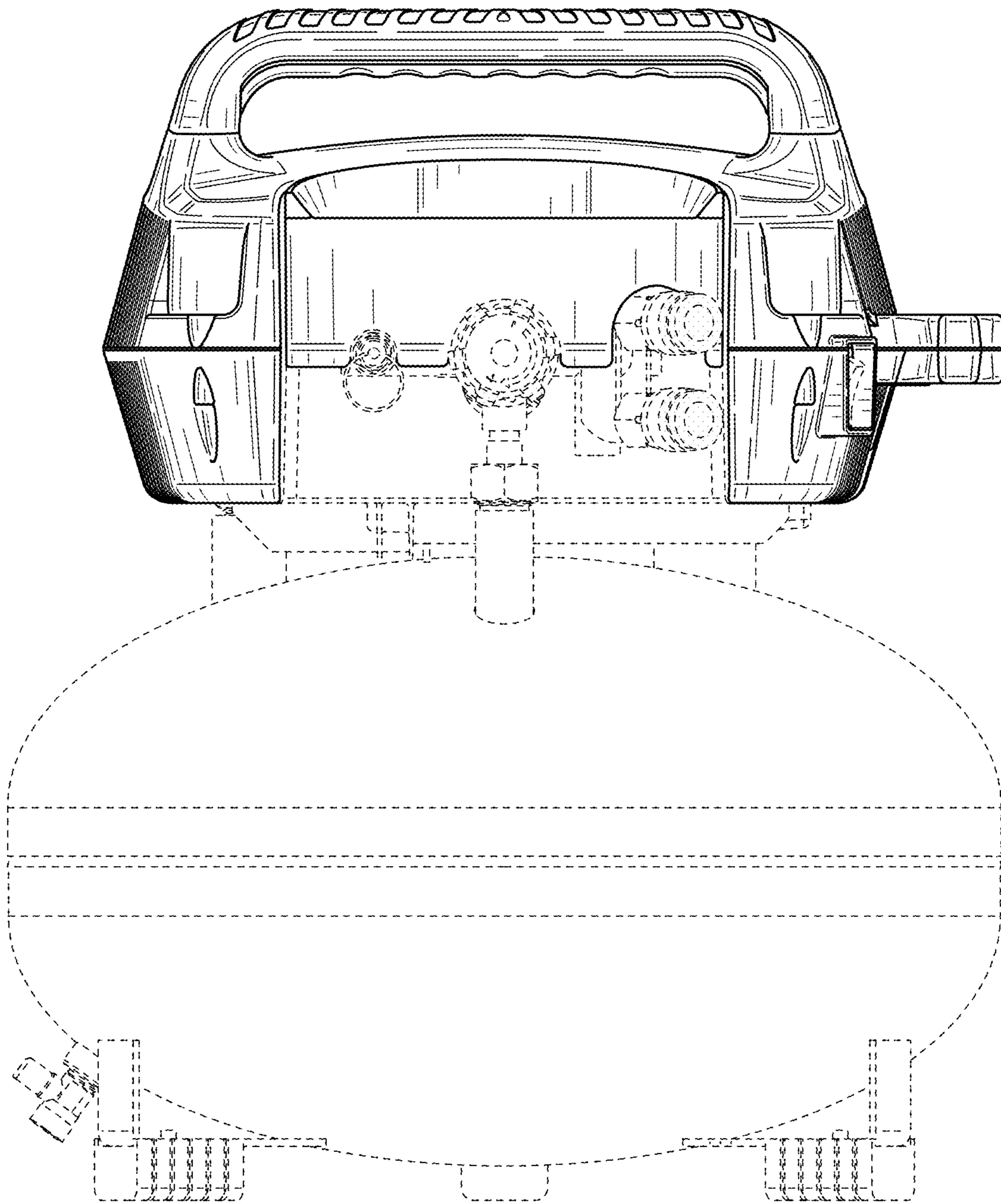


FIG. 2

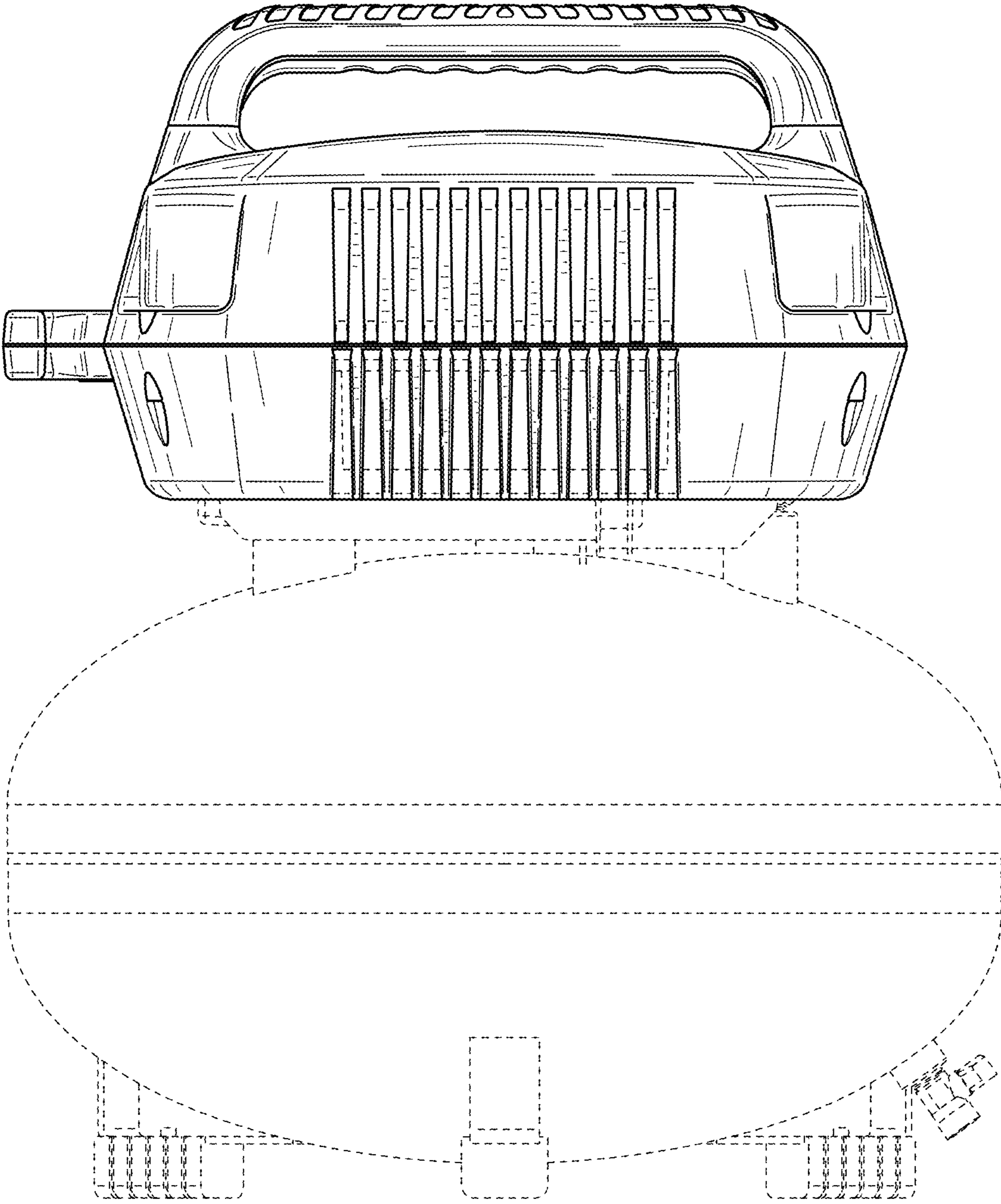


FIG. 3

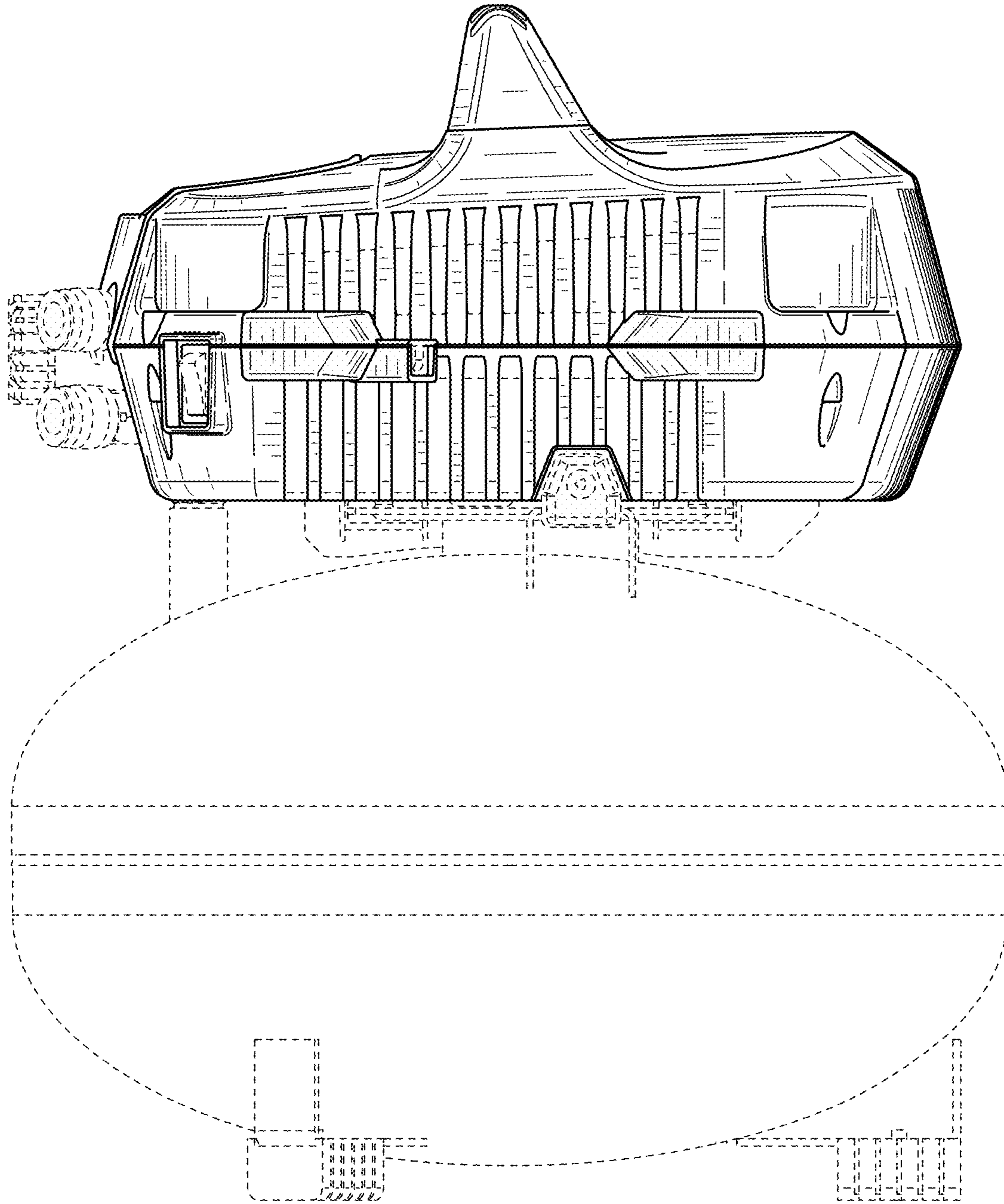


FIG. 4

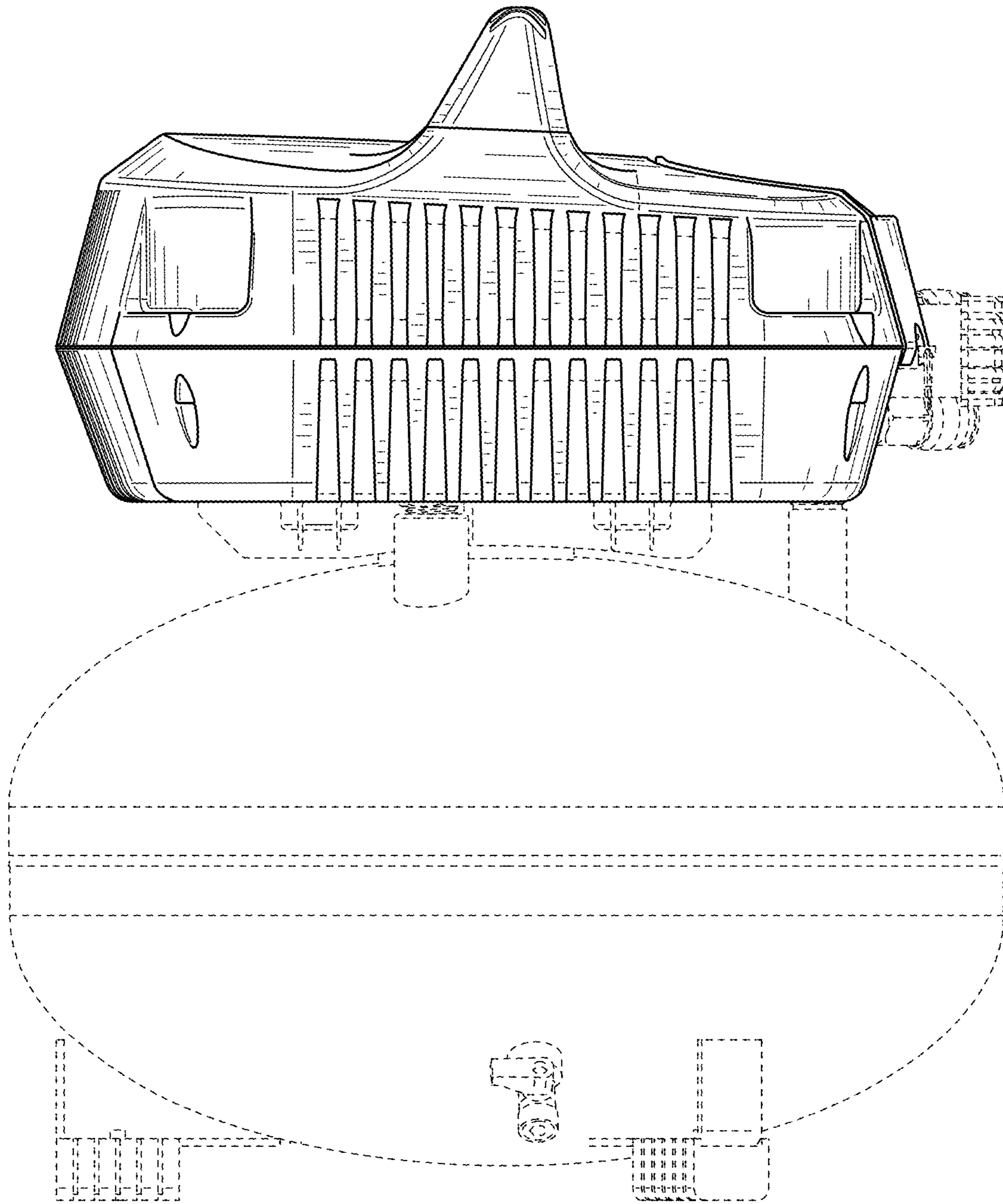


FIG. 5

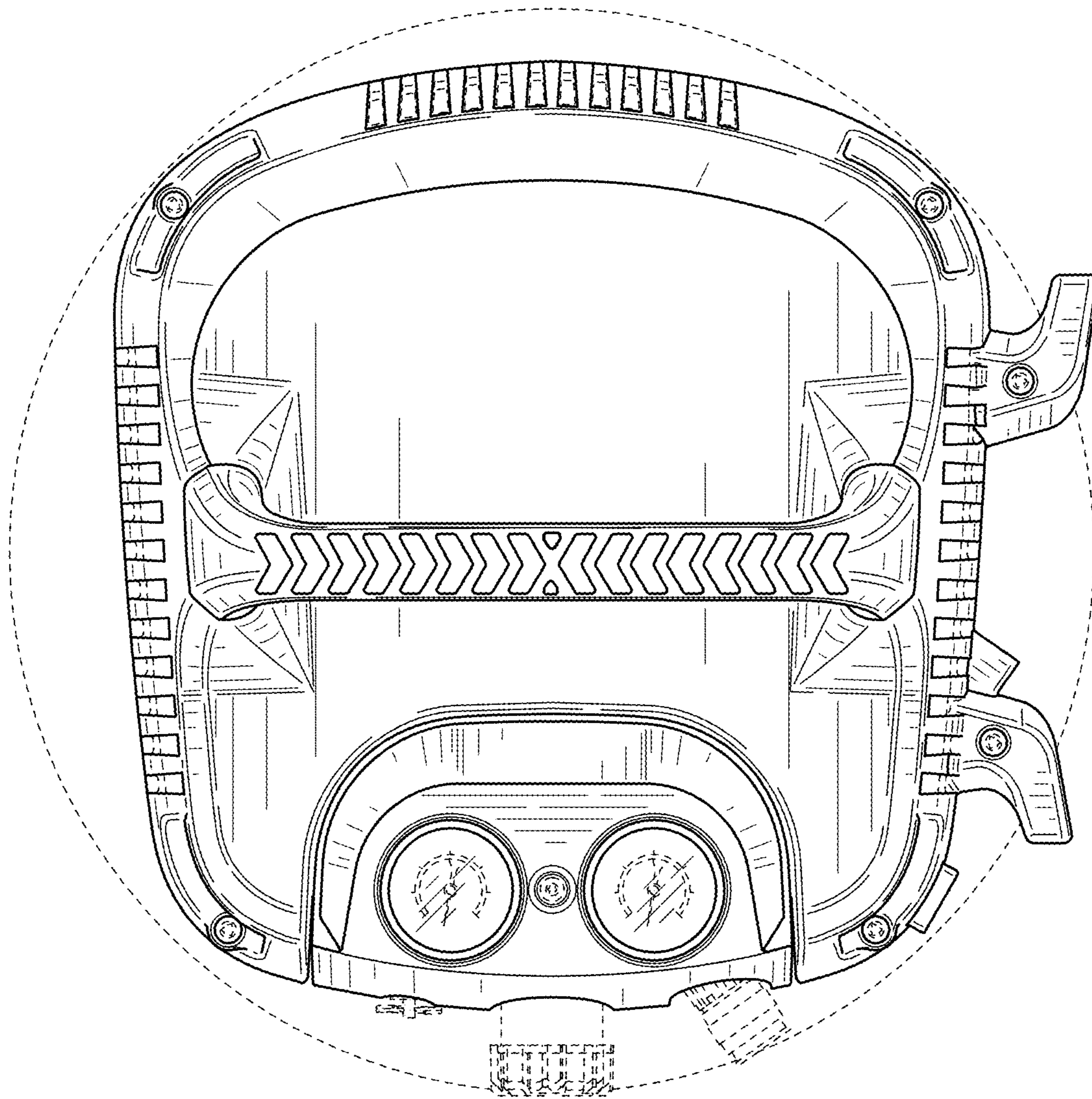


FIG. 6

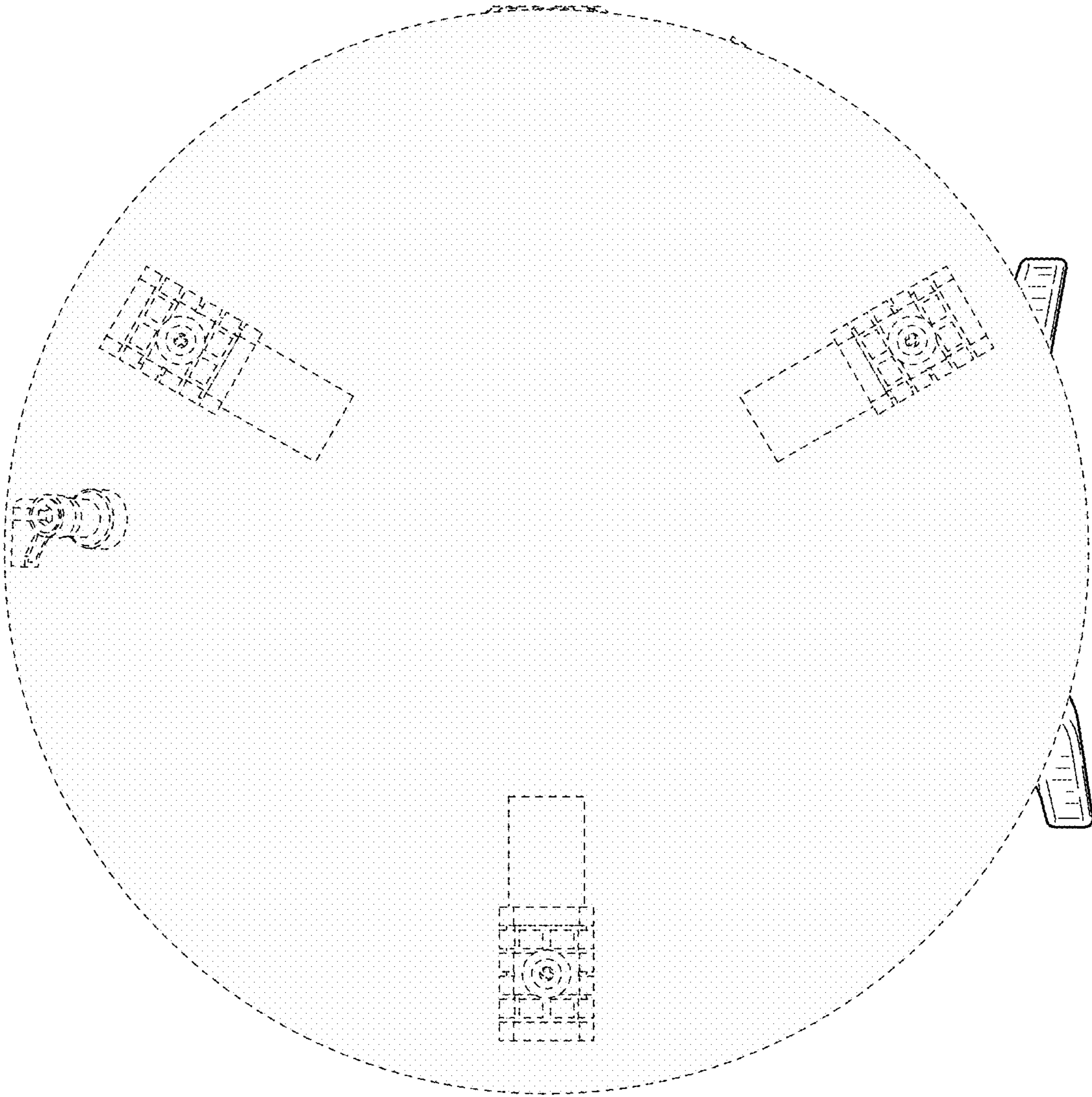


FIG. 7

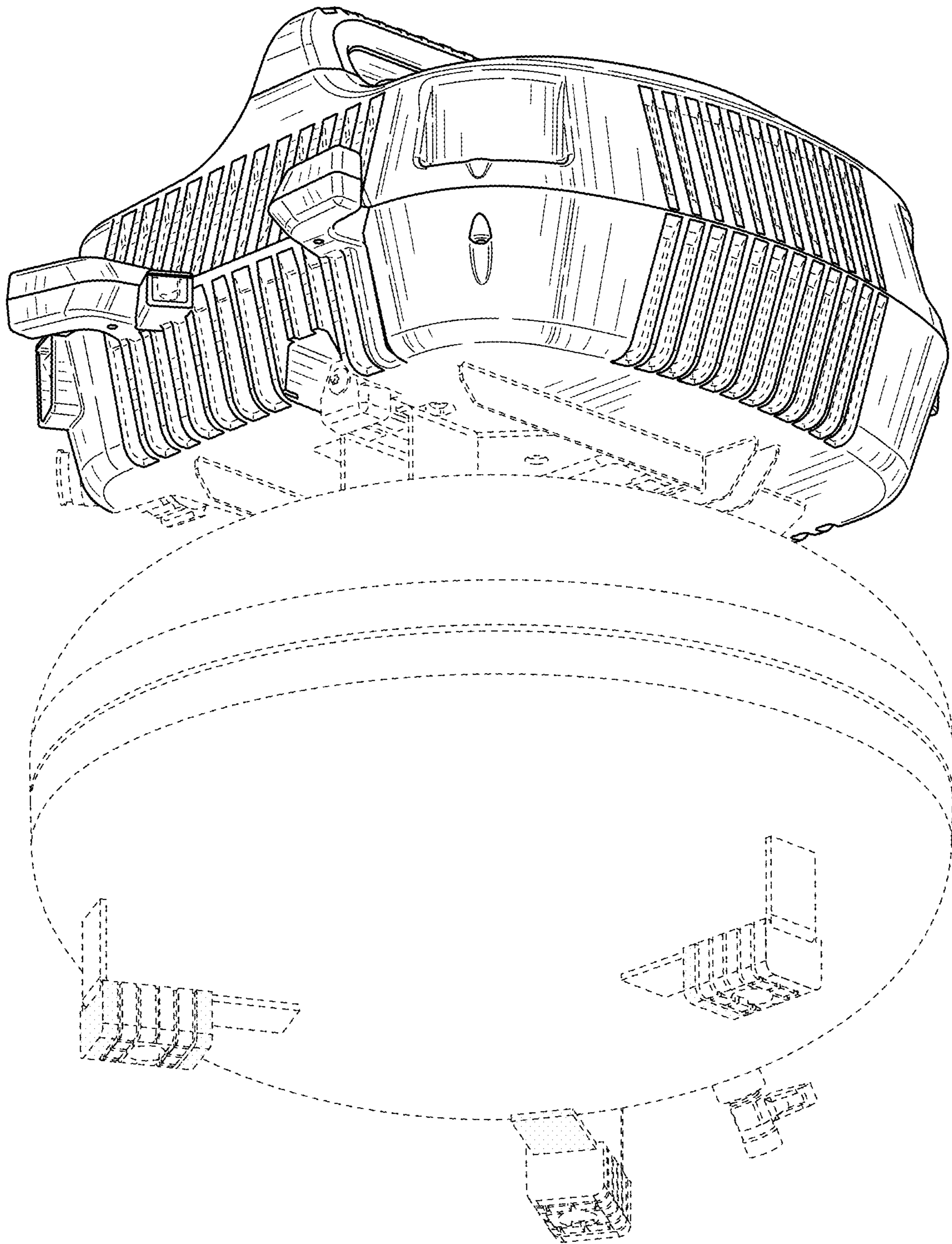


FIG. 8