



US00D902258S

(12) **United States Design Patent** (10) **Patent No.:** **US D902,258 S**  
**Lorenzowski et al.** (45) **Date of Patent:** **\*\* \*Nov. 17, 2020**

(54) **VACUUM PUMP**  
(71) Applicant: **Busch Produktions GmbH**, Maulburg (DE)  
(72) Inventors: **Dirk Lorenzowski**, Lorrach (DE); **Daniel Seifert**, Lorrach (DE); **Steffen Bothe**, Bad Sackingen (DE)  
(\* ) Notice: This patent is subject to a terminal disclaimer.  
(\*\*) Term: **15 Years**  
(21) Appl. No.: **35/506,933**  
(22) Filed: **Feb. 21, 2019**  
(80) **Hague Agreement Data**  
Int. Filing Date: **Feb. 21, 2019**  
Int. Reg. No.: **DM/201495**  
Int. Reg. Date: **Feb. 21, 2019**  
Int. Reg. Pub. Date: **Jun. 21, 2019**

(51) **LOC (12) Cl.** ..... **15-02**  
(52) **U.S. Cl.**  
USPC ..... **D15/7**  
CPC ..... **F02M 37/04** (2013.01)  
(58) **Field of Classification Search**  
USPC ..... D15/7-9; D23/231, 232, 225; 417/60, 417/235, 265, 321, 355, 358, 363, 359, 417/410.1, 415-416, 405, 900, 269, 539; 60/408, 412; 184/26-37; 415/140-147; 123/495, 509; 137/565.34  
CPC ..... F02M 37/04; F02M 37/14; F04B 53/92; F04B 1/005  
See application file for complete search history.

(56) **References Cited**  
U.S. PATENT DOCUMENTS

D263,302 S \* 3/1982 Terajima ..... D15/7  
D328,304 S \* 7/1992 Frohn ..... D15/1  
D339,144 S \* 9/1993 Cline, Sr. .... D15/7

D406,268 S \* 3/1999 Lamond ..... D15/7  
D450,327 S \* 11/2001 Mori ..... D15/7  
D485,565 S \* 1/2004 Martinello ..... D15/7  
D518,068 S \* 3/2006 Rodopoulos ..... D15/7  
D558,232 S \* 12/2007 Wang ..... D15/7  
D558,795 S \* 1/2008 Saunders ..... D15/7  
D573,609 S \* 7/2008 Bilger ..... D15/7  
D591,310 S \* 4/2009 Soja ..... D15/7  
D602,960 S \* 10/2009 Bukoski ..... D15/9  
D603,426 S \* 11/2009 Hauser ..... D15/7  
D609,595 S \* 2/2010 Soderstrom ..... D15/7  
D617,814 S \* 6/2010 Dreifert ..... D15/7  
D619,624 S \* 7/2010 Iwagoshi ..... D15/7  
D621,853 S \* 8/2010 Sundheim ..... D15/7  
D656,518 S \* 3/2012 Varini ..... D15/7  
D664,155 S \* 7/2012 Milner ..... D15/7  
D668,684 S \* 10/2012 Noguchi ..... D15/9  
D676,063 S \* 2/2013 Soja ..... D15/7  
D676,462 S \* 2/2013 Soja ..... D15/7  
D677,281 S \* 3/2013 Muller ..... D15/7  
D677,282 S \* 3/2013 Soja ..... D15/7  
D677,283 S \* 3/2013 Soja ..... D15/7  
D677,701 S \* 3/2013 Moysi ..... D15/7  
D723,064 S \* 2/2015 Eisele ..... D15/7

(Continued)

*Primary Examiner* — Richard E Chilcot  
(74) *Attorney, Agent, or Firm* — Pearne & Gordon LLP

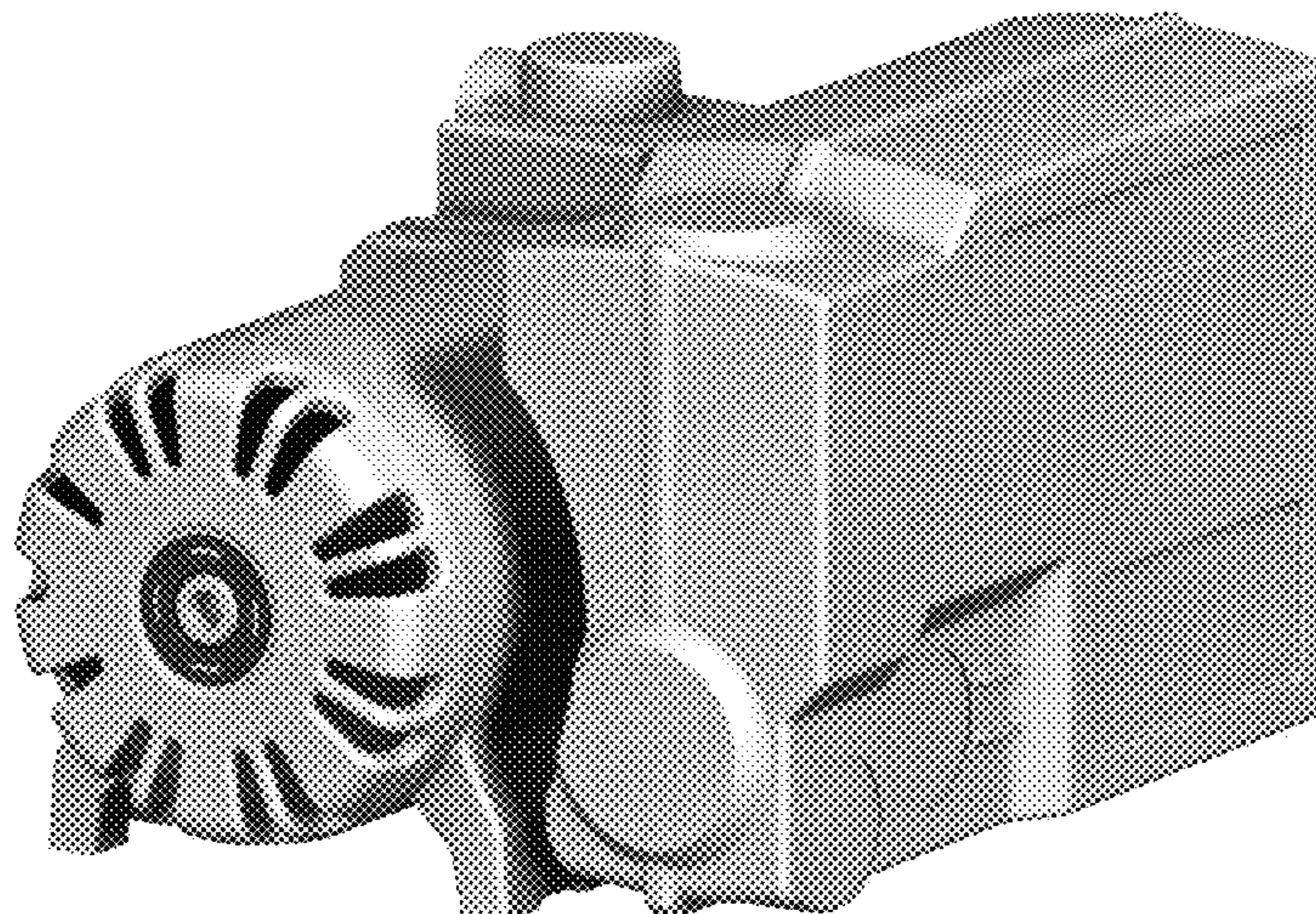
(57) **CLAIM**

The ornamental design for vacuum pump, as shown and described.

**DESCRIPTION**

- 1. Vacuum pump
- 1.1: Perspective
- 1.2: Perspective
- 1.3: Perspective
- 1.4: Perspective
- 1.5: Front
- 1.6: Back
- 1.7: Left
- 1.8: Right
- 1.9: Top
- 1.10: Bottom

**1 Claim, 10 Drawing Sheets**



(56)

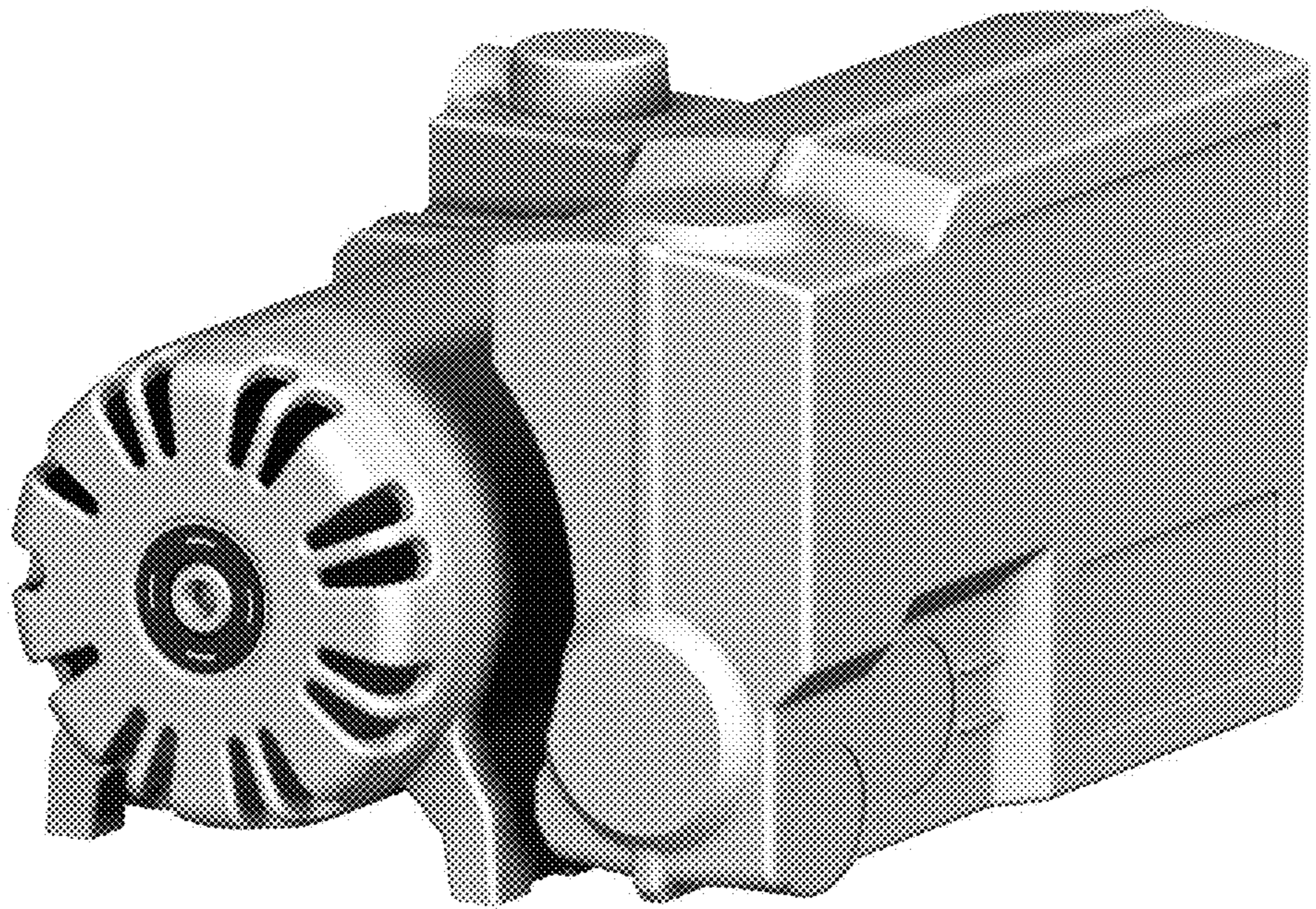
**References Cited**

U.S. PATENT DOCUMENTS

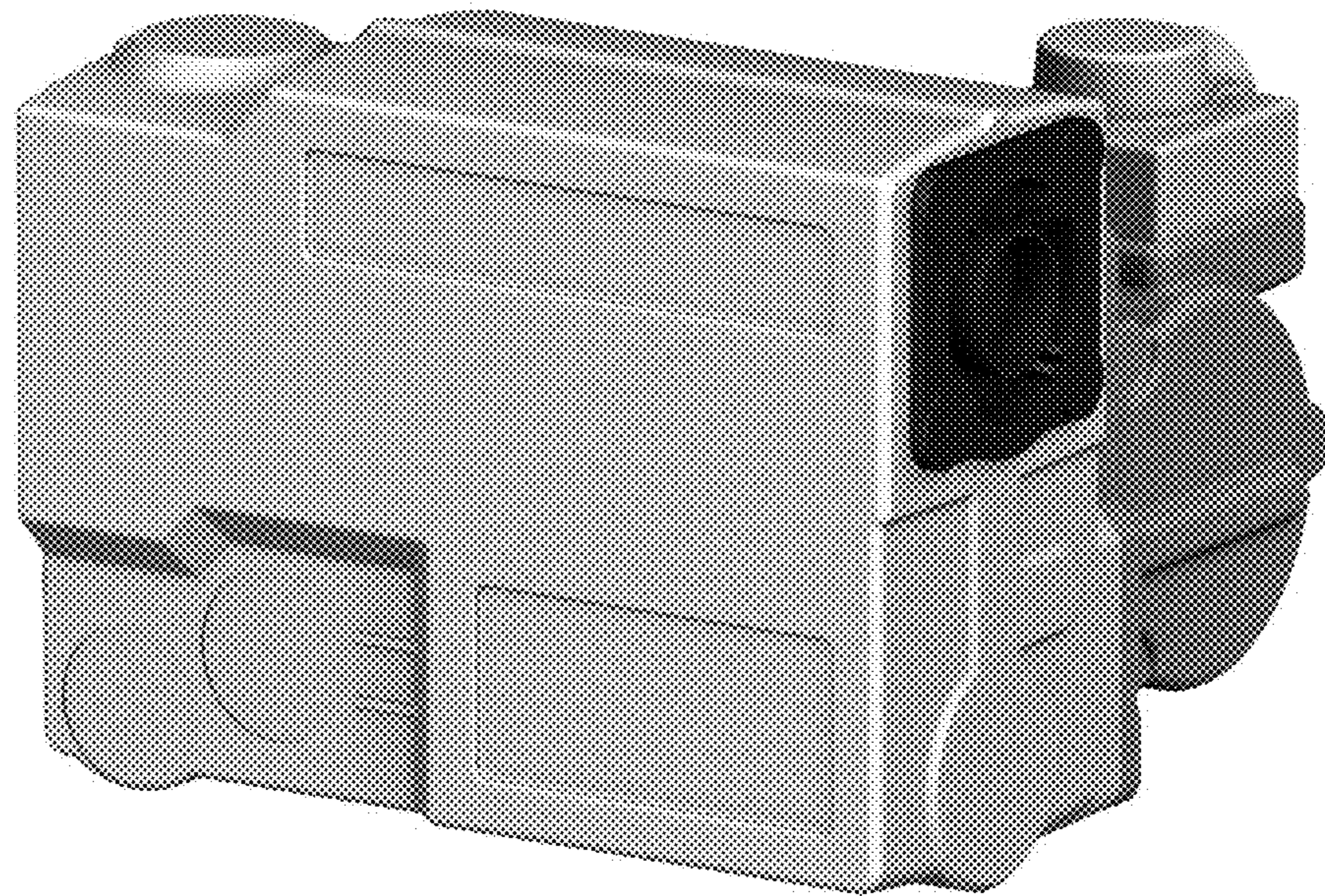
D765,147 S \* 8/2016 Schaller ..... D15/7  
D791,191 S \* 7/2017 Hartung ..... D15/7  
D842,340 S \* 3/2019 Kuang ..... D15/7

\* cited by examiner

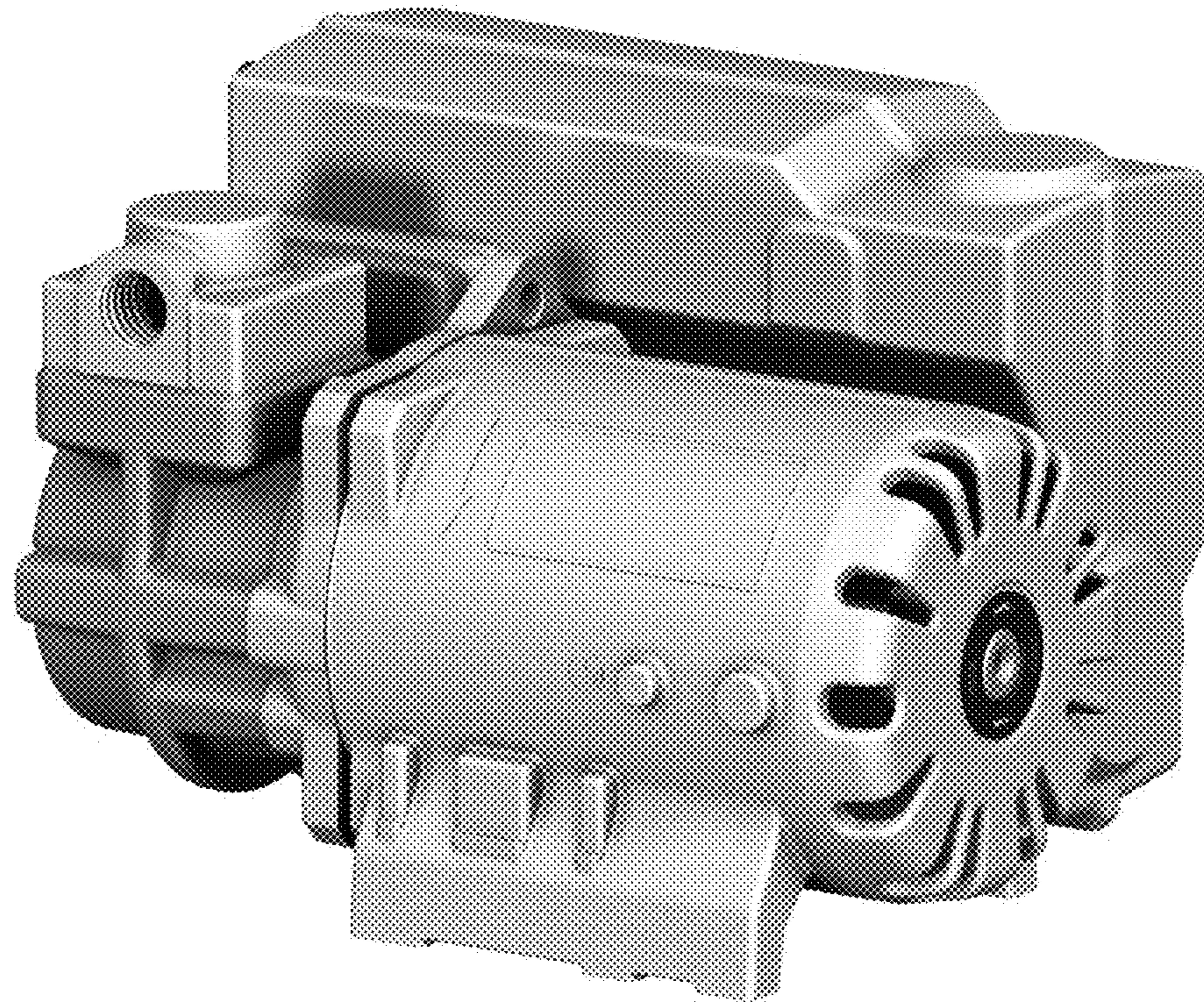
1.1



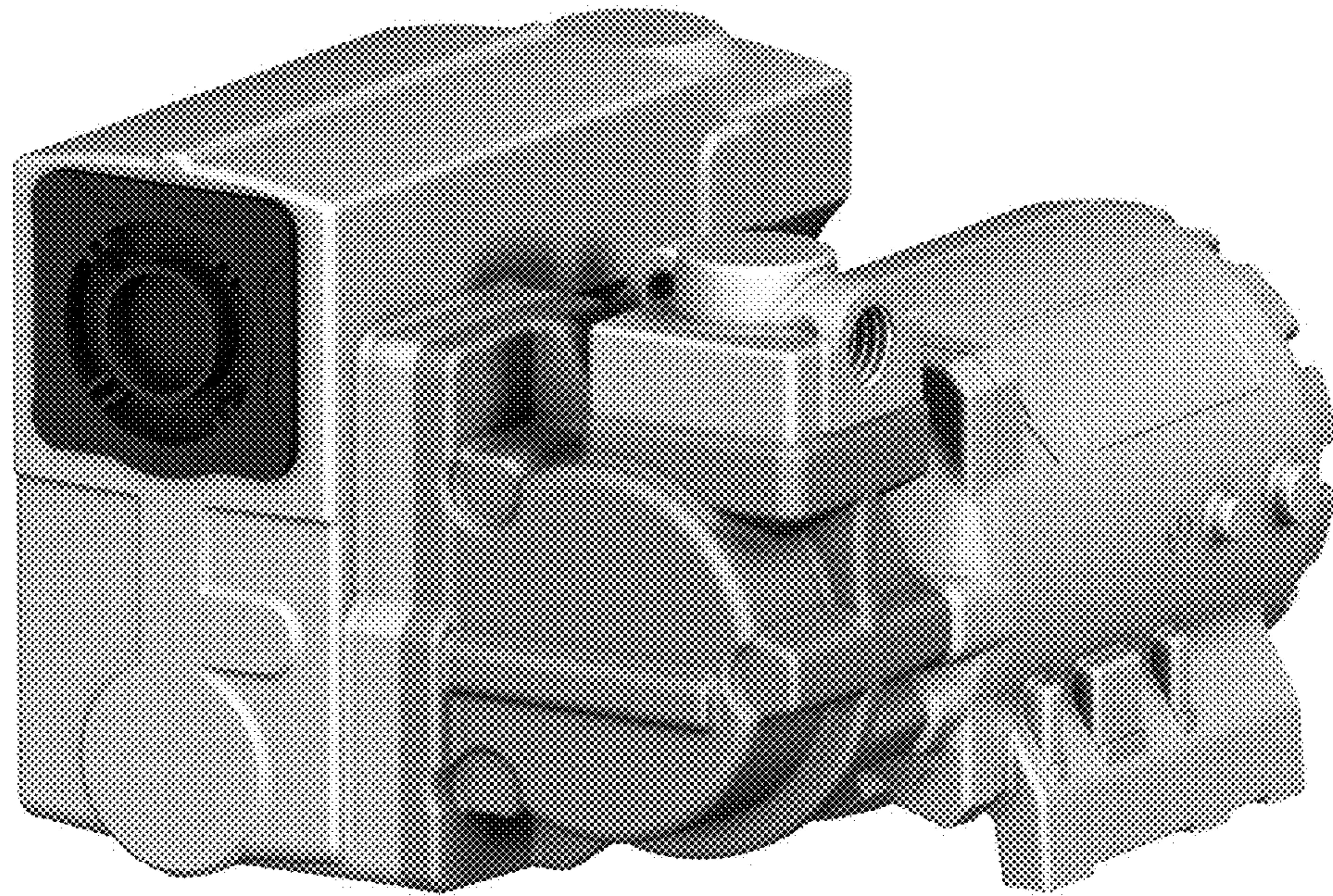
1.2



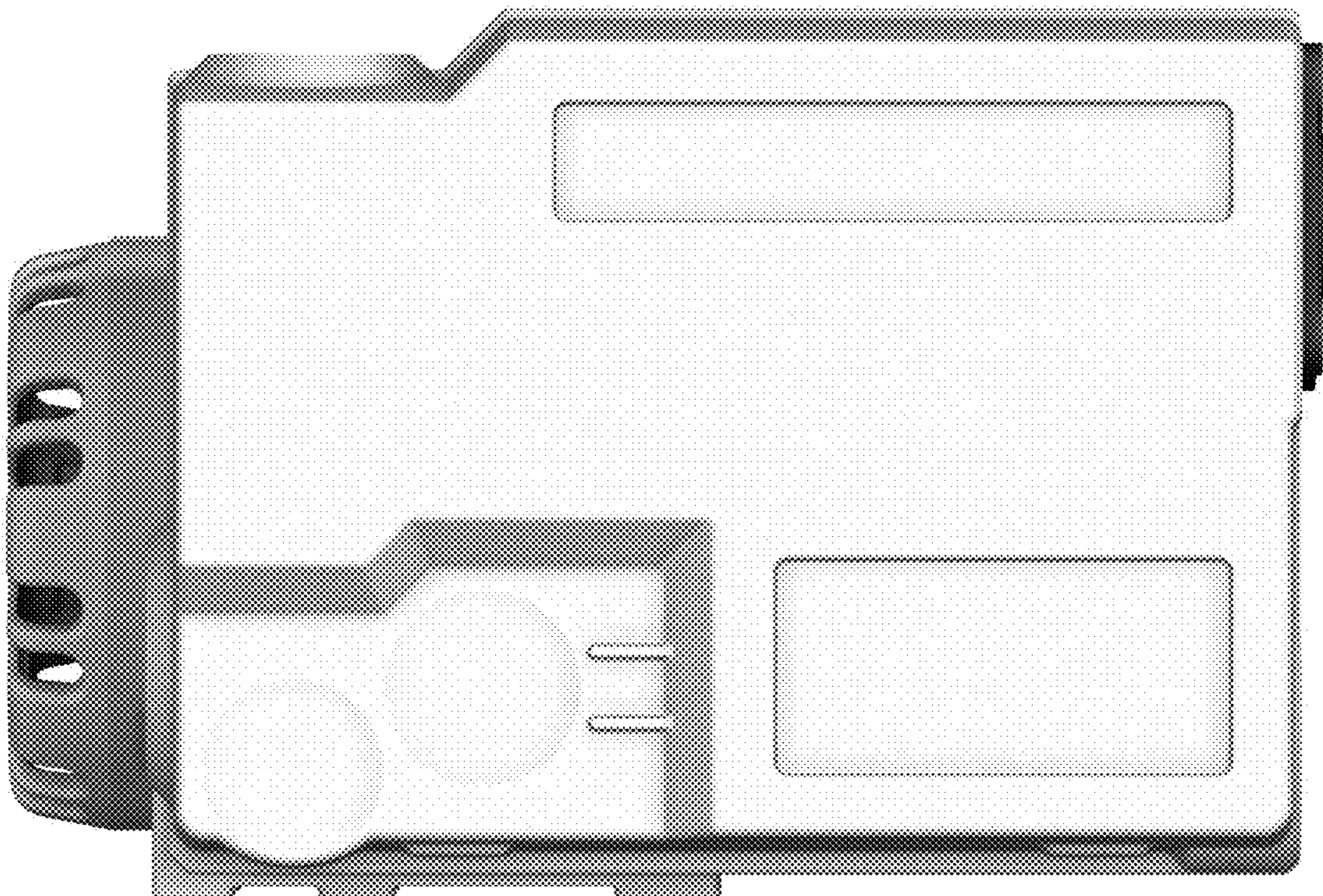
1.3



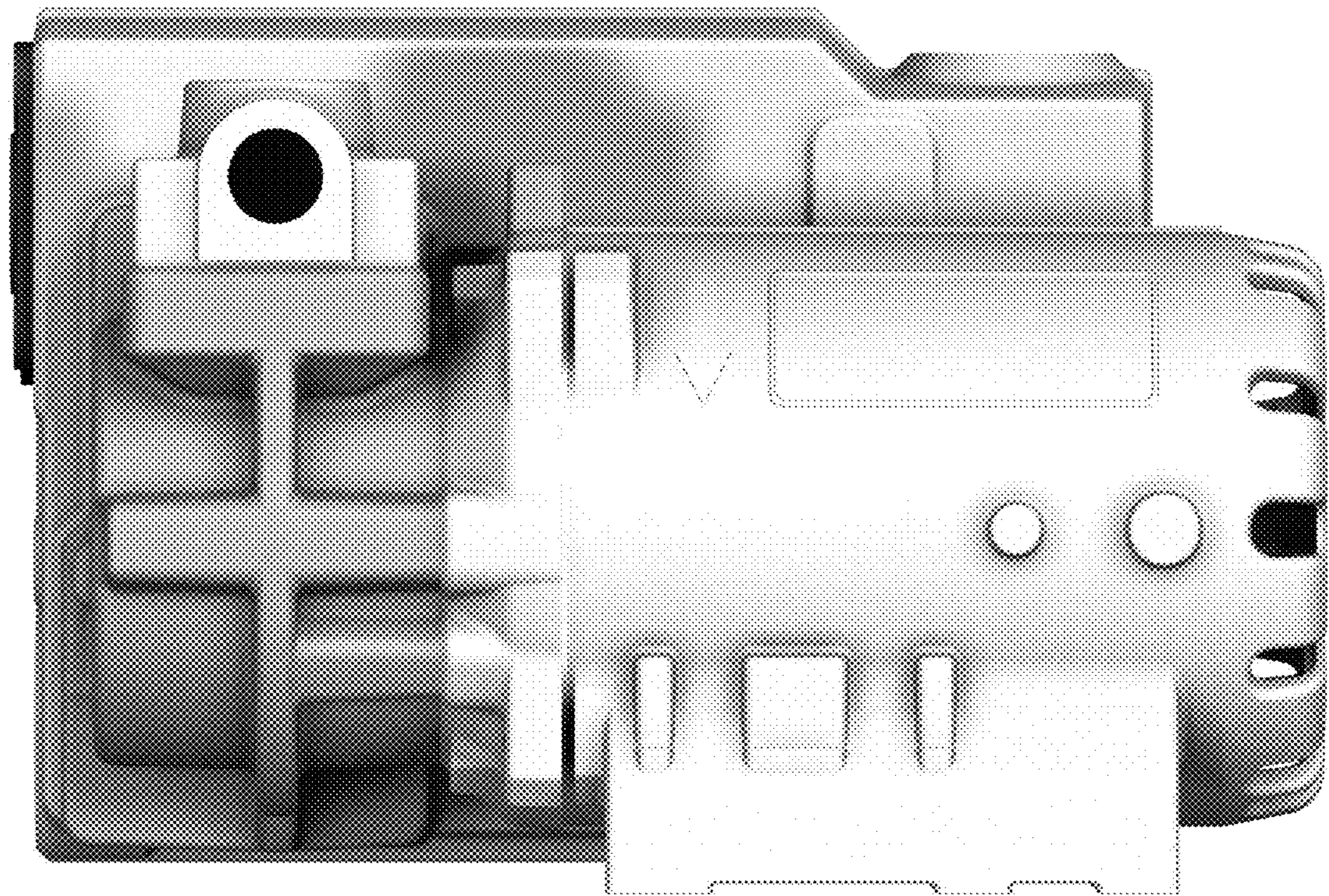
1.4



1.5

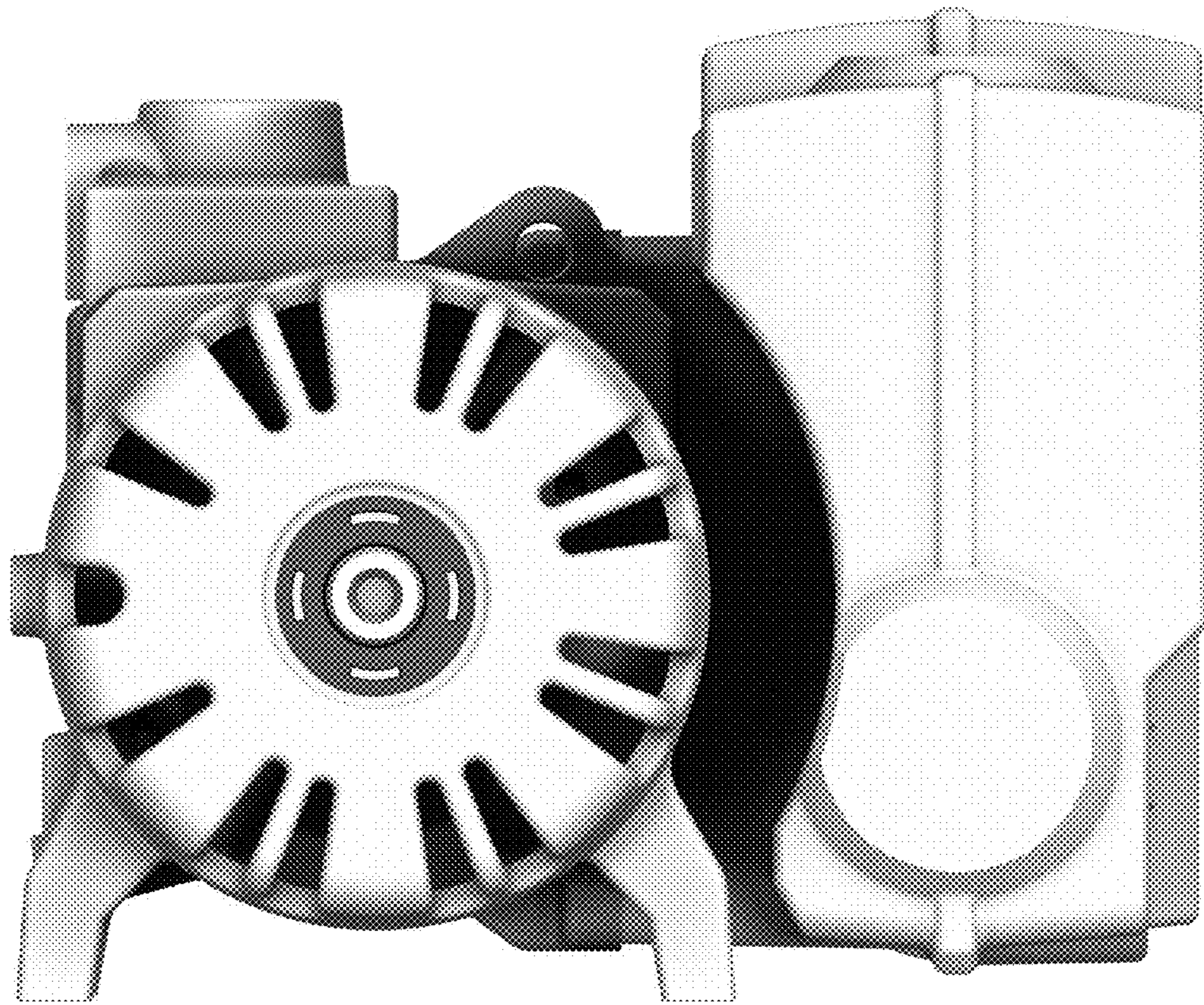


1.6

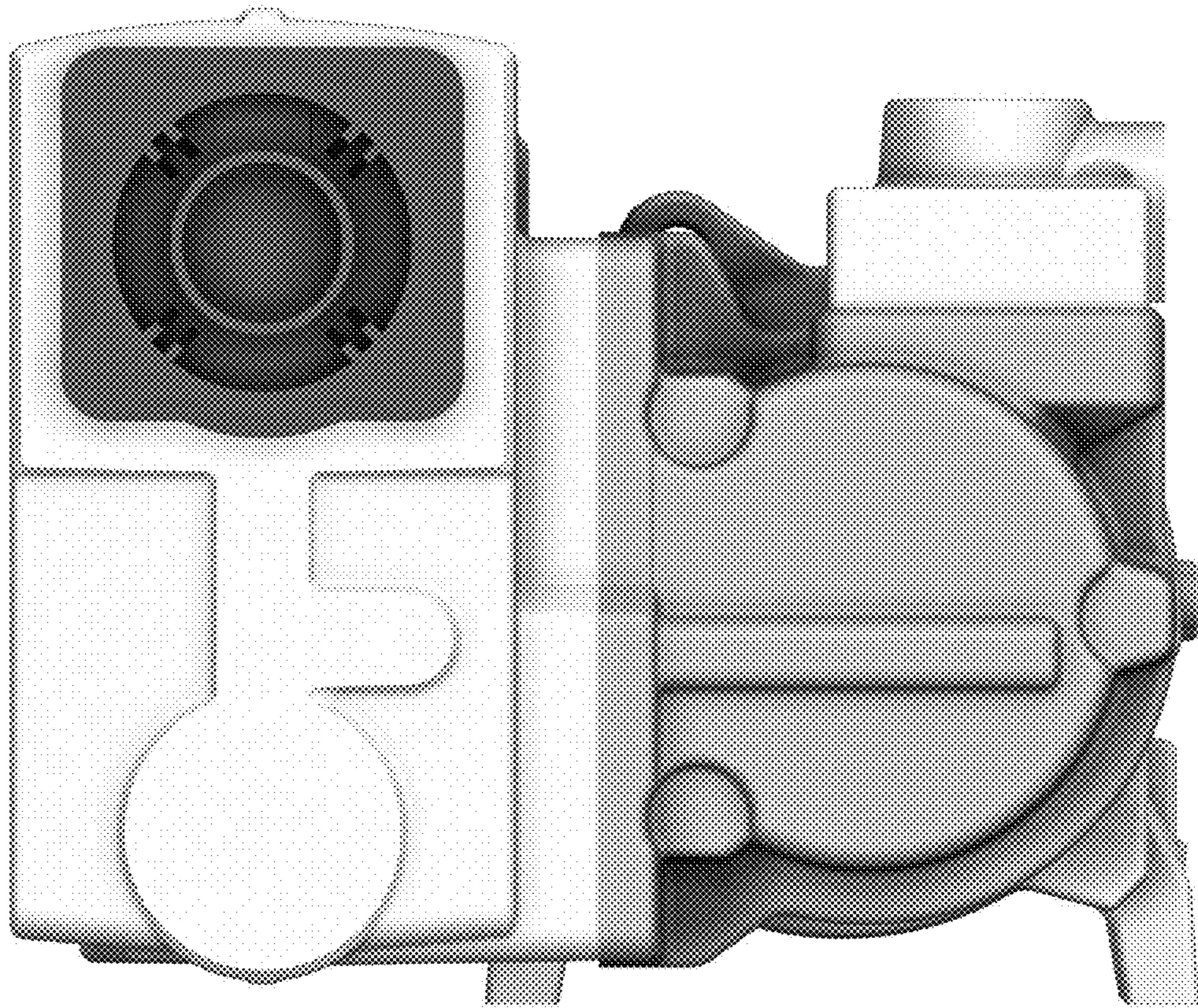




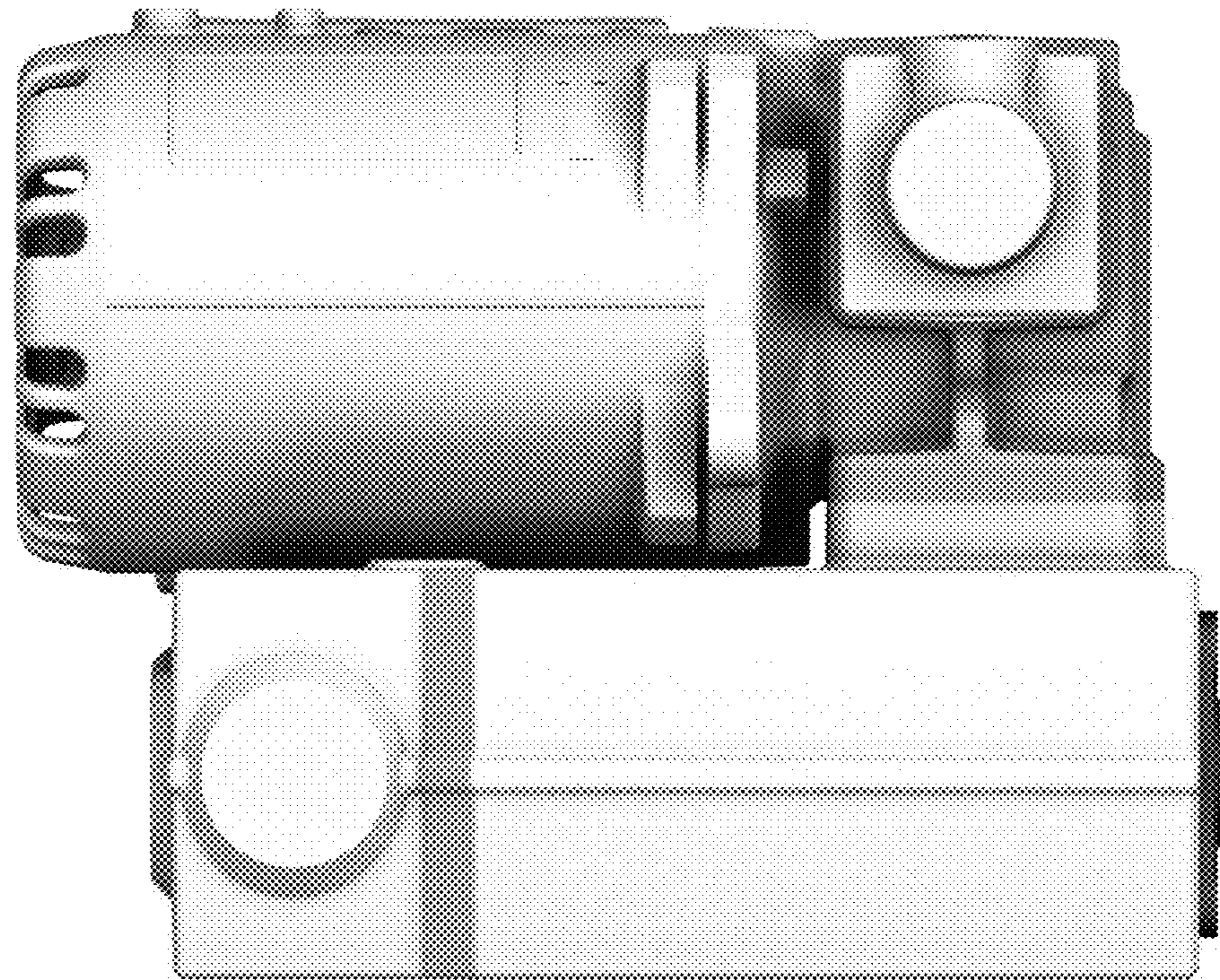
1.7



1.8



1.9



1.10

