



US00D902256S

(12) **United States Design Patent** (10) **Patent No.:** **US D902,256 S**
Hudnall et al. (45) **Date of Patent:** **** Nov. 17, 2020**

(54) **COOLING MANIFOLD**

(71) Applicant: **Holley Performance Products, Inc.**,
Bowling Green, KY (US)
(72) Inventors: **Coy Hudnall**, Bowling Green, KY
(US); **Kevin Tracy**, Port Charlotte, FL
(US)
(73) Assignee: **Holley Performance Products, Inc.**,
Bowling Green, KY (US)
(**) Term: **15 Years**

(21) Appl. No.: **29/707,394**
(22) Filed: **Sep. 27, 2019**
(51) **LOC (12) Cl.** **15-01**
(52) **U.S. Cl.**
USPC **D15/5**
(58) **Field of Classification Search**
USPC D15/1-9; D23/231, 232, 225; D12/160,
D12/159
CPC F04D 29/426; F04D 29/126; F04D 29/445;
F04D 29/086; F04D 29/167; F04D 29/44;
F04D 29/58; F04D 29/60; F04D 29/601;
F04D 29/602
See application file for complete search history.

(56) **References Cited**

U.S. PATENT DOCUMENTS

D268,585 S * 4/1983 Drakulic D15/5
5,148,863 A 9/1992 Fouts et al.
5,325,915 A 7/1994 Fouts et al.
6,244,239 B1 * 6/2001 Sisco F02B 67/06
123/192.1

(Continued)

FOREIGN PATENT DOCUMENTS

AU 201811295 5/2018
AU 201812792 6/2018

(Continued)

OTHER PUBLICATIONS

Design U.S. Appl. No. 29/616,435 entitled "Cooling Manifold"
filed Sep. 6, 2017.

(Continued)

Primary Examiner — Ania Aman
(74) *Attorney, Agent, or Firm* — Middleton Reutlinger

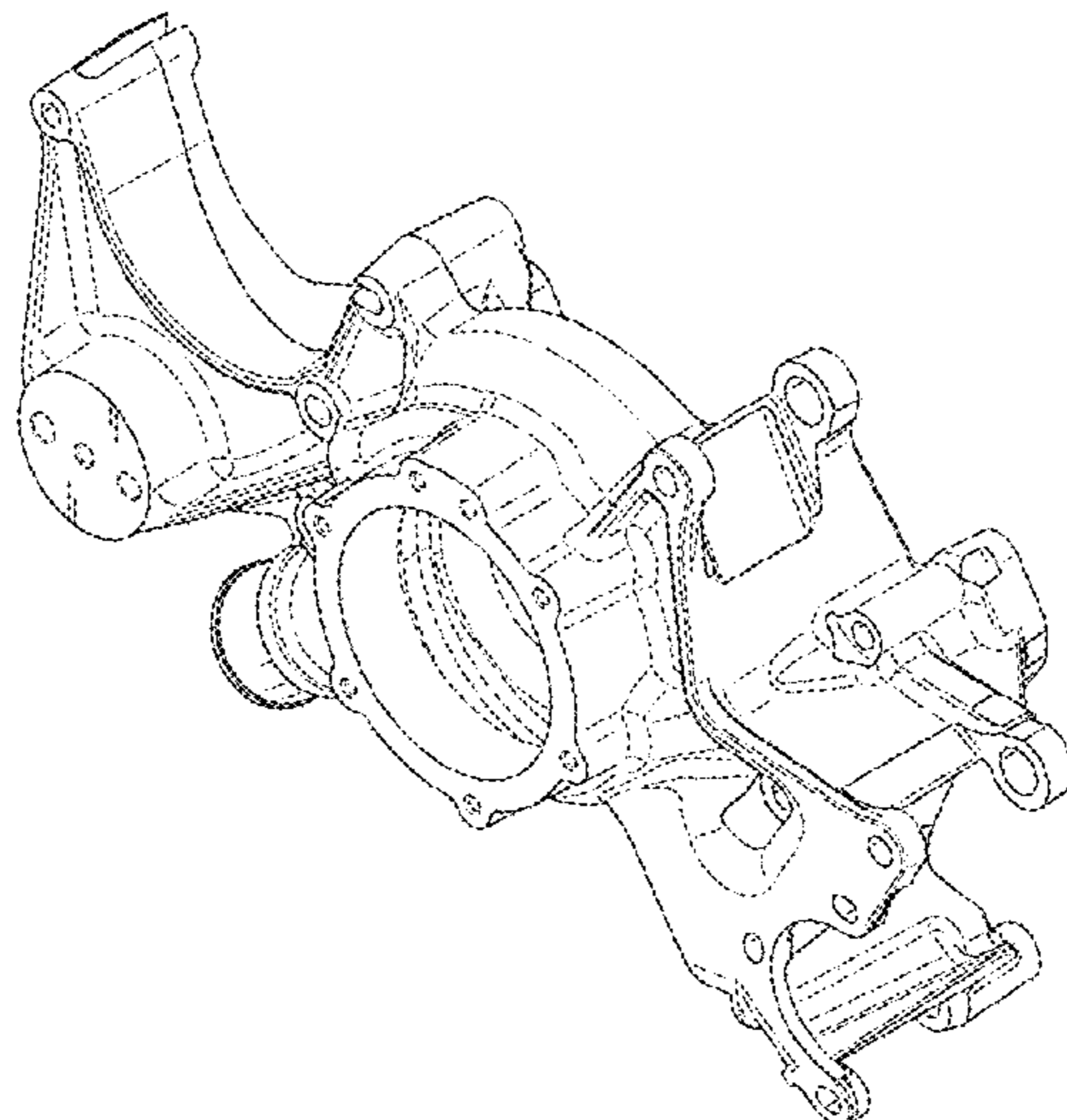
(57) **CLAIM**

The ornamental design for a cooling manifold, as shown and
described.

DESCRIPTION

FIG. 1 is an upper perspective view of a first design of a
cooling manifold;
FIG. 2 is a front view of the design of FIG. 1;
FIG. 3 is a rear view of the design of FIG. 1;
FIG. 4 is a first side view of the design of FIG. 1;
FIG. 5 is a second side view of the design of FIG. 1;
FIG. 6 is a top view of the design of FIG. 1;
FIG. 7 is a bottom view of the design of FIG. 1;
FIG. 8 is a lower perspective view of the design of FIG. 1;
FIG. 9 is an upper perspective view of a second design of a
cooling manifold;
FIG. 10 is a front view of the design of FIG. 9;
FIG. 11 is a rear view of the design of FIG. 9;
FIG. 12 is a first side view of the design of FIG. 9;
FIG. 13 is a second side view of the design of FIG. 9;
FIG. 14 is a top view of the design of FIG. 9;
FIG. 15 is a bottom view of the design of FIG. 9; and,
FIG. 16 is a lower perspective view of the design of FIG. 9.
The broken lines shown in the drawings are included for the
purpose of illustrating the unclaimed boundary and
unclaimed portions of the cooling manifold. The broken
lines form no part of the claimed design.

1 Claim, 16 Drawing Sheets



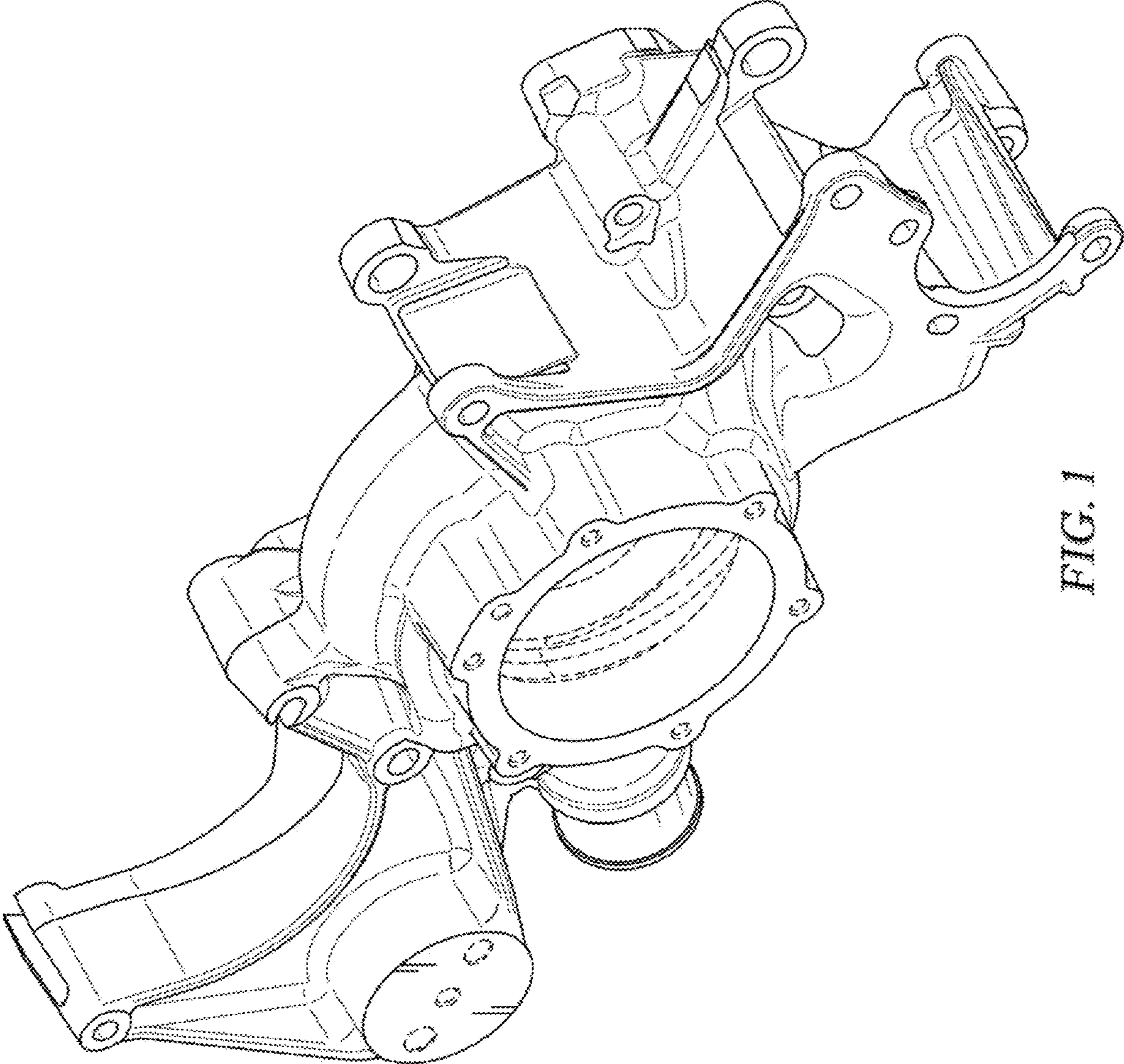


FIG. 1

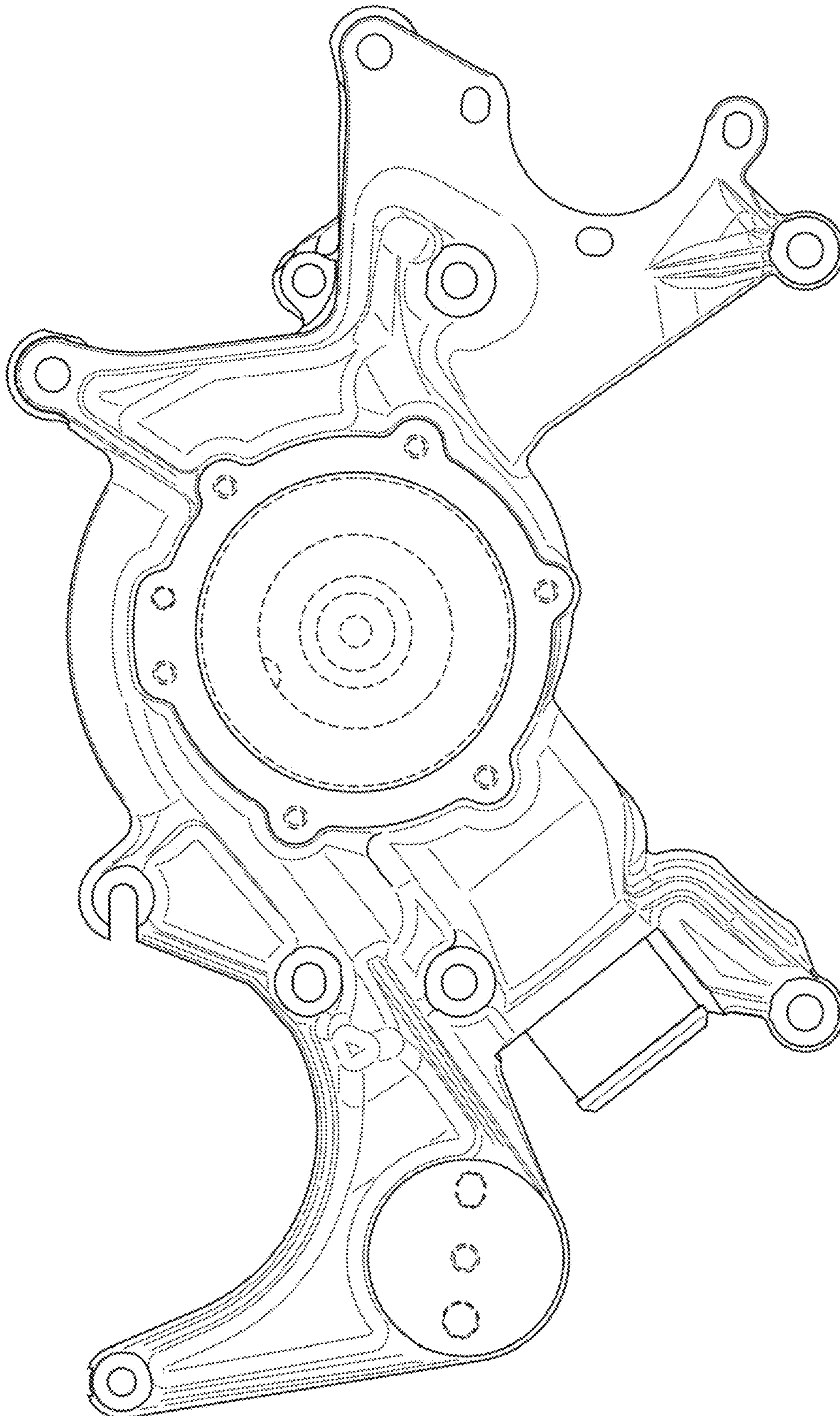


FIG. 2

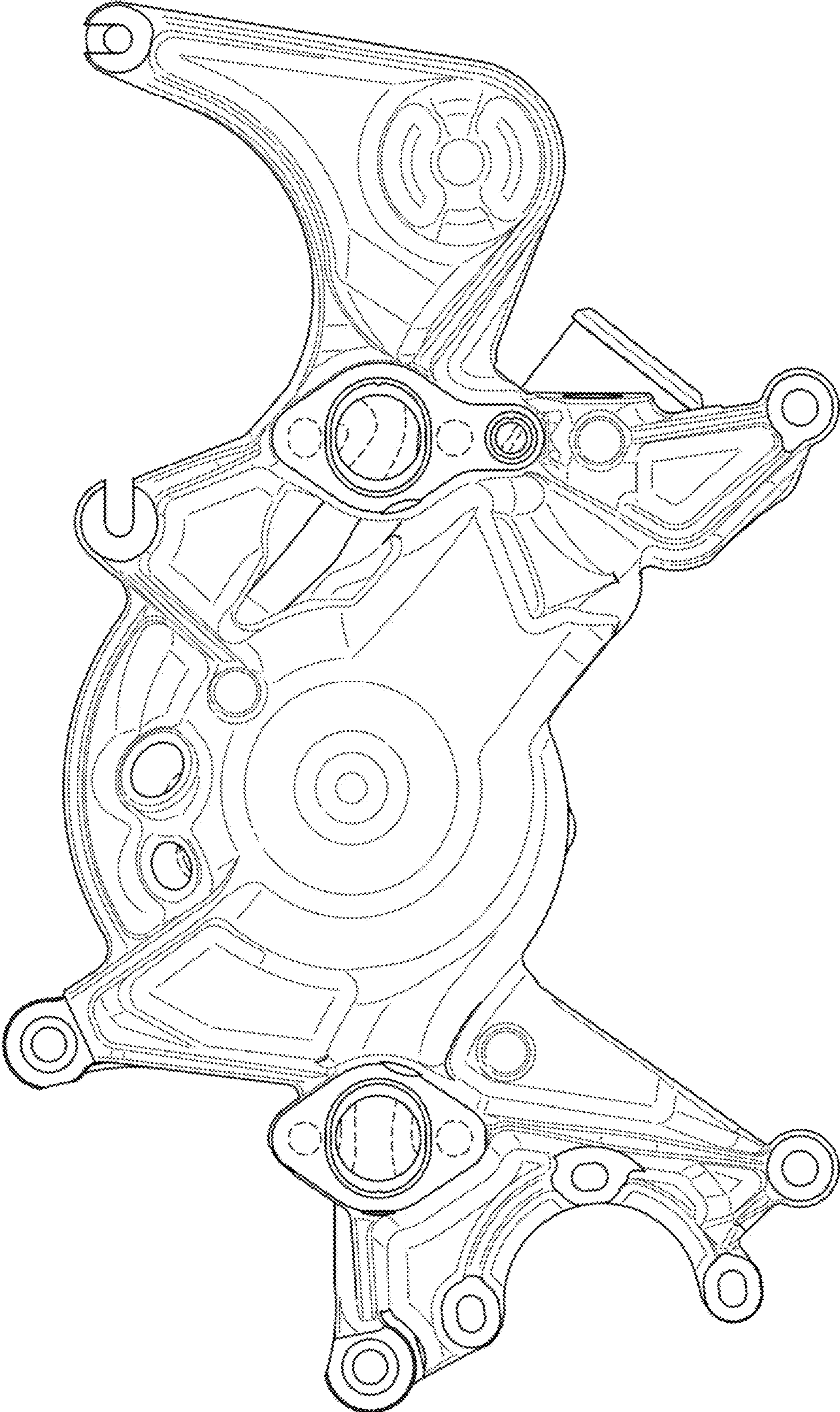


FIG. 3

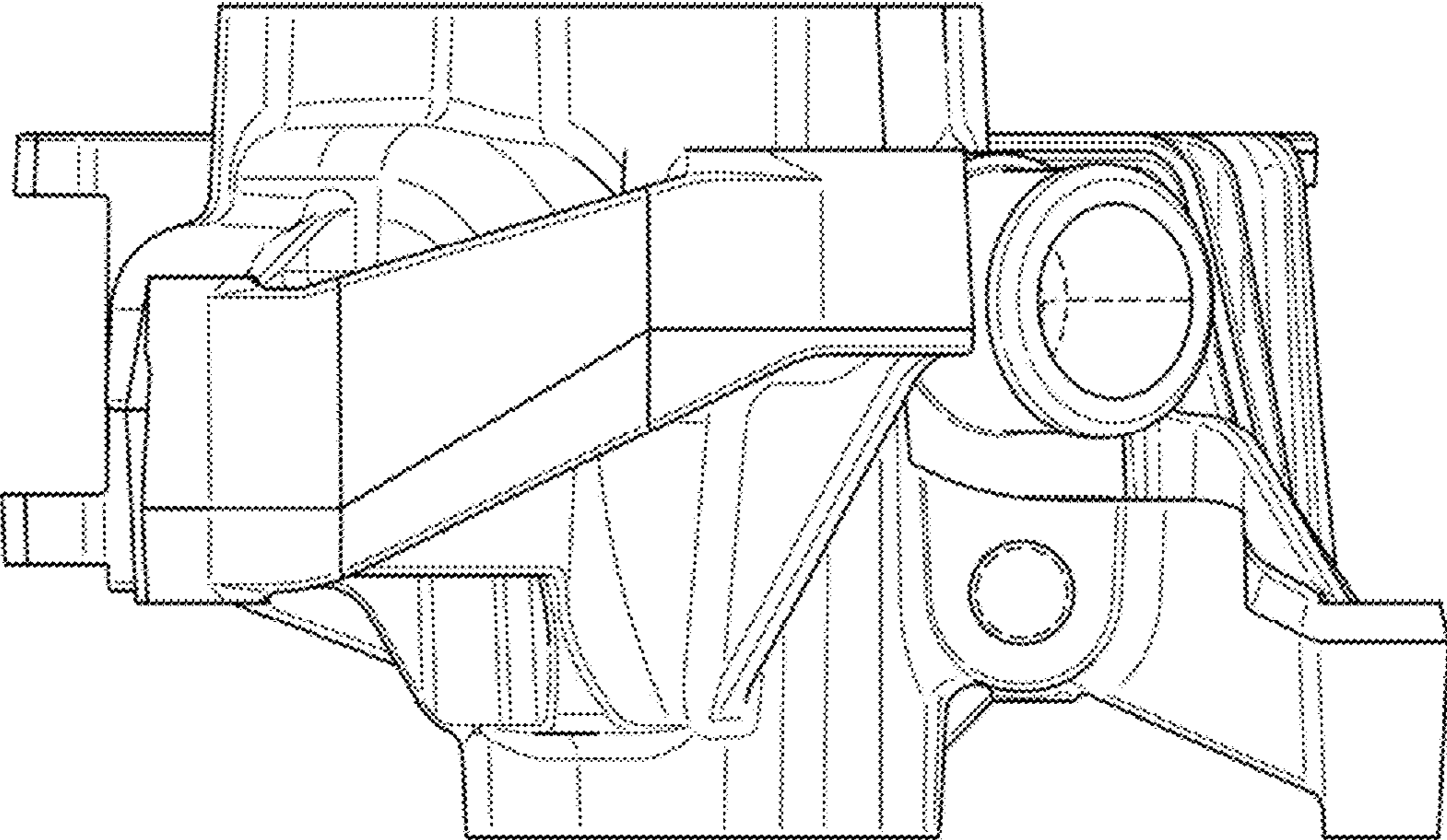


FIG. 4

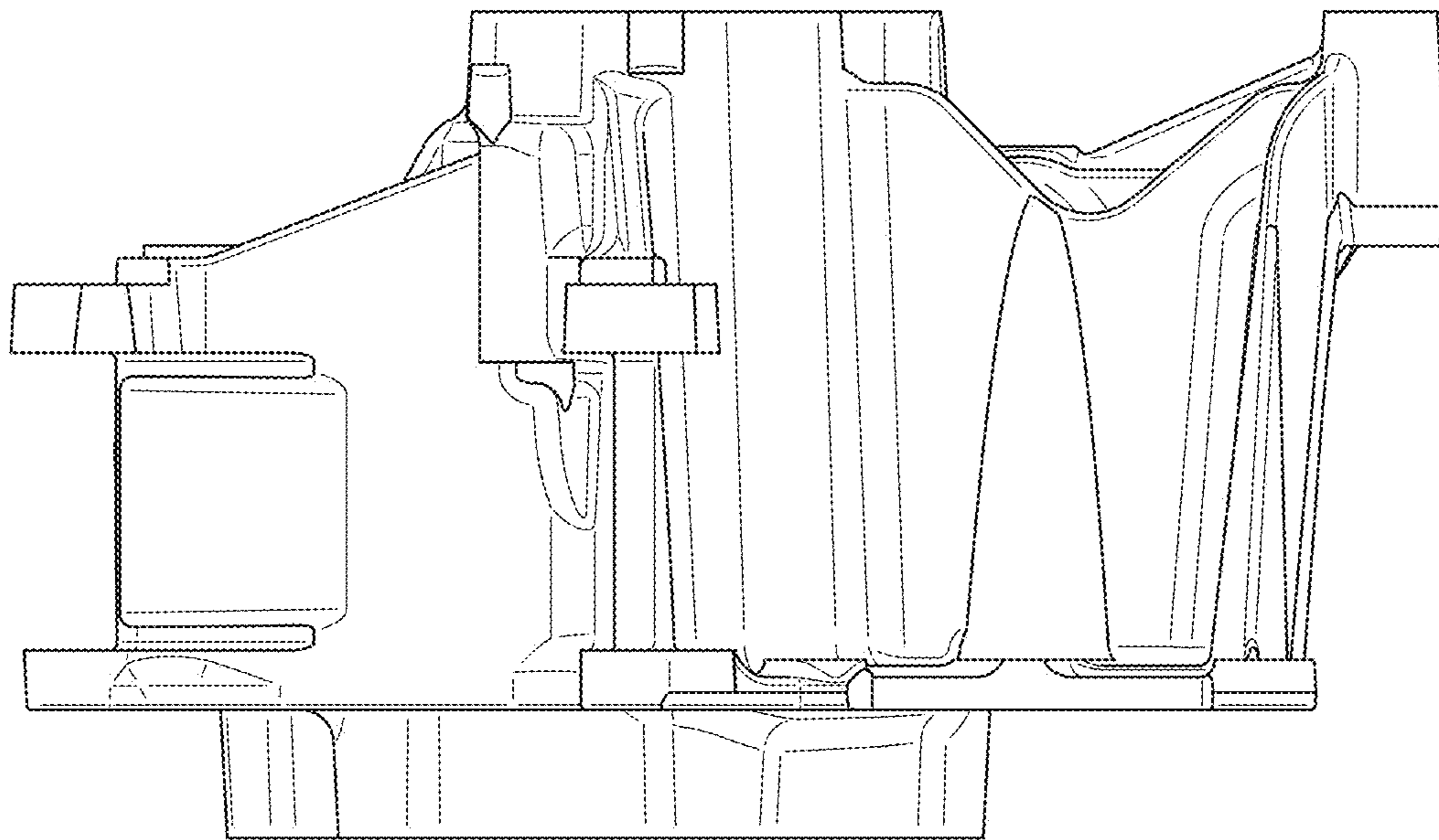


FIG. 5

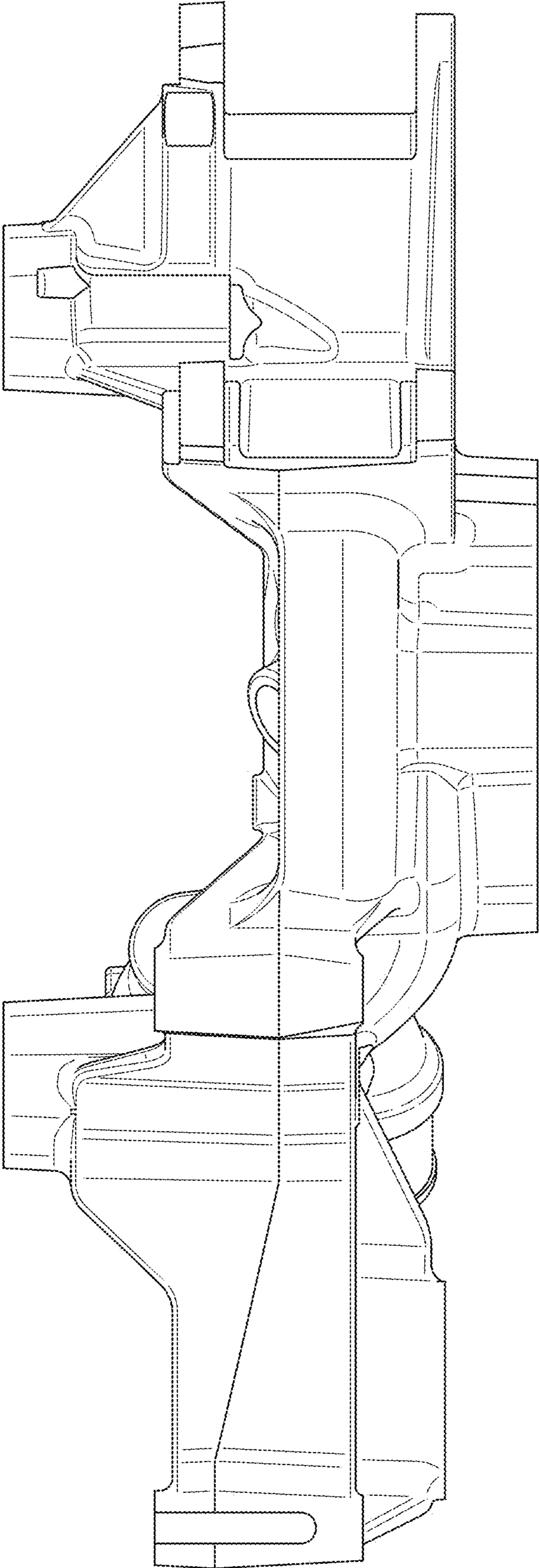


FIG. 6

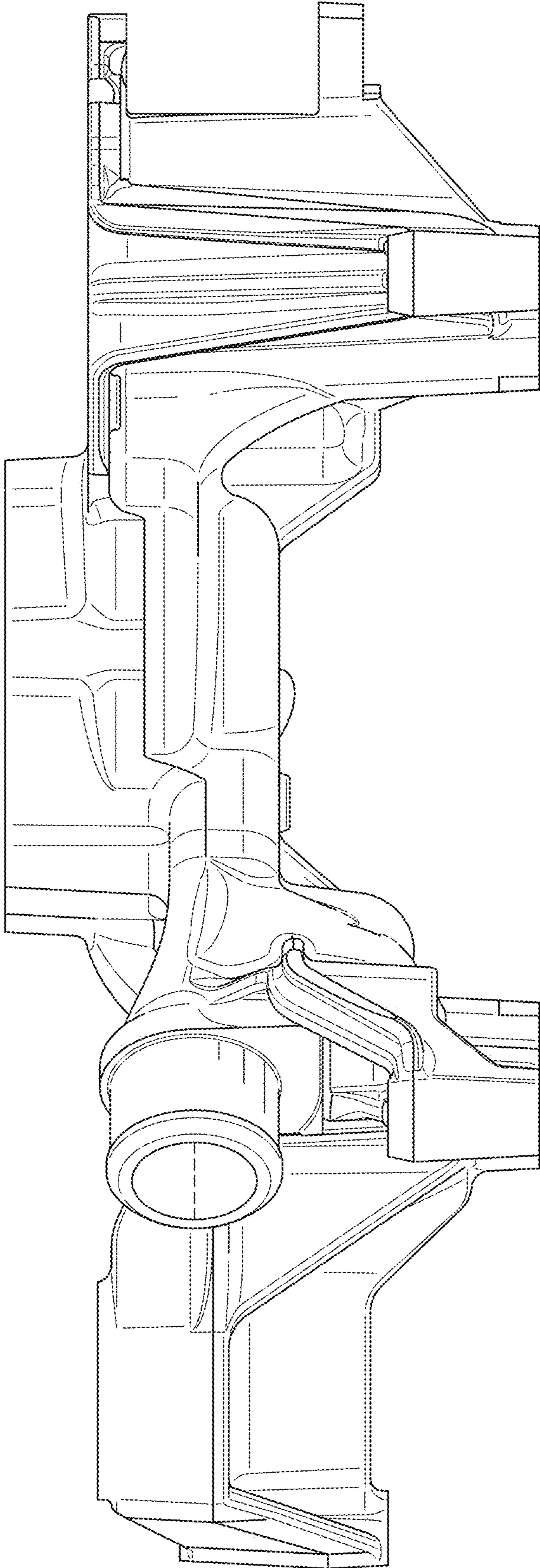


FIG. 7

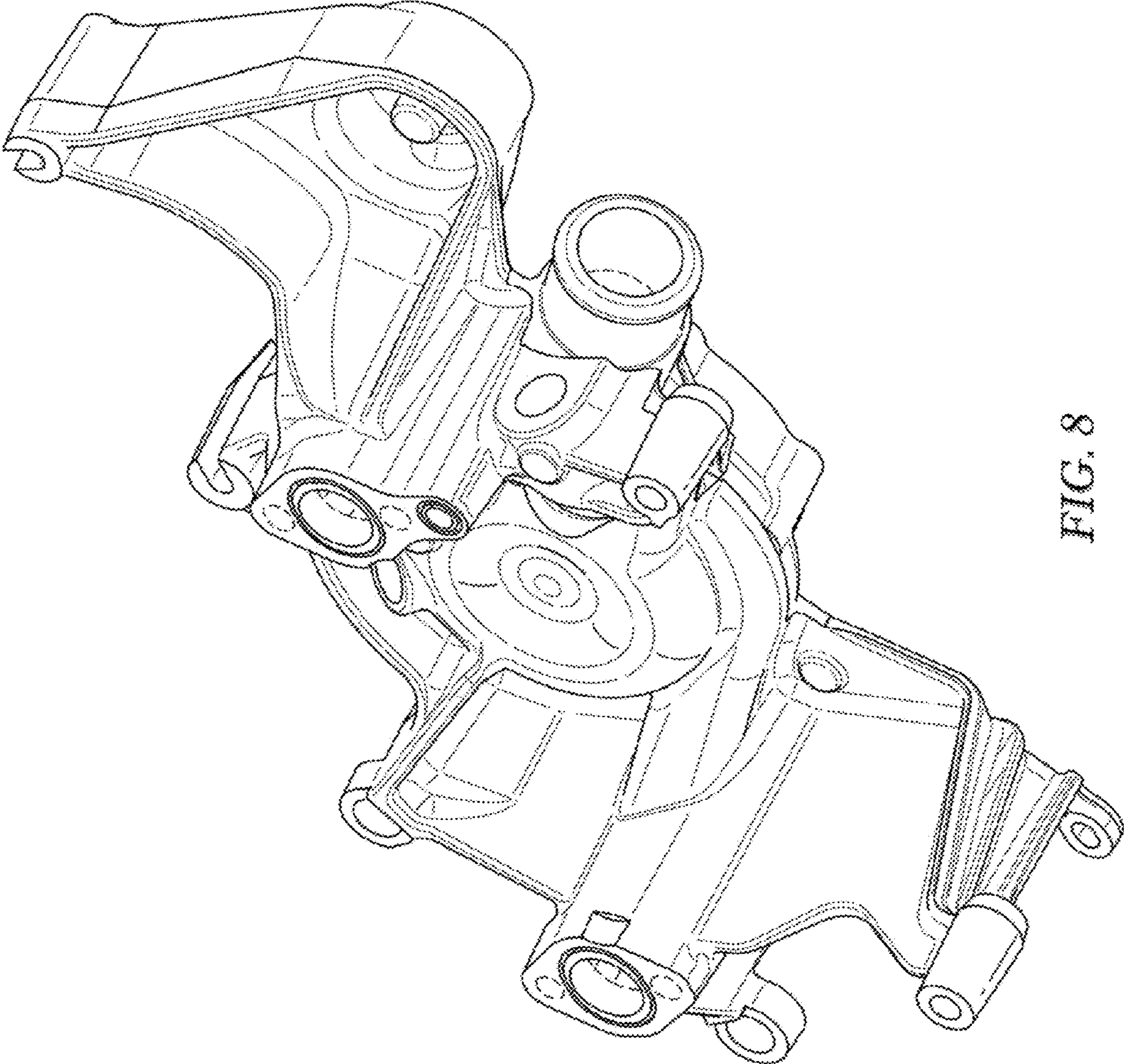


FIG. 8

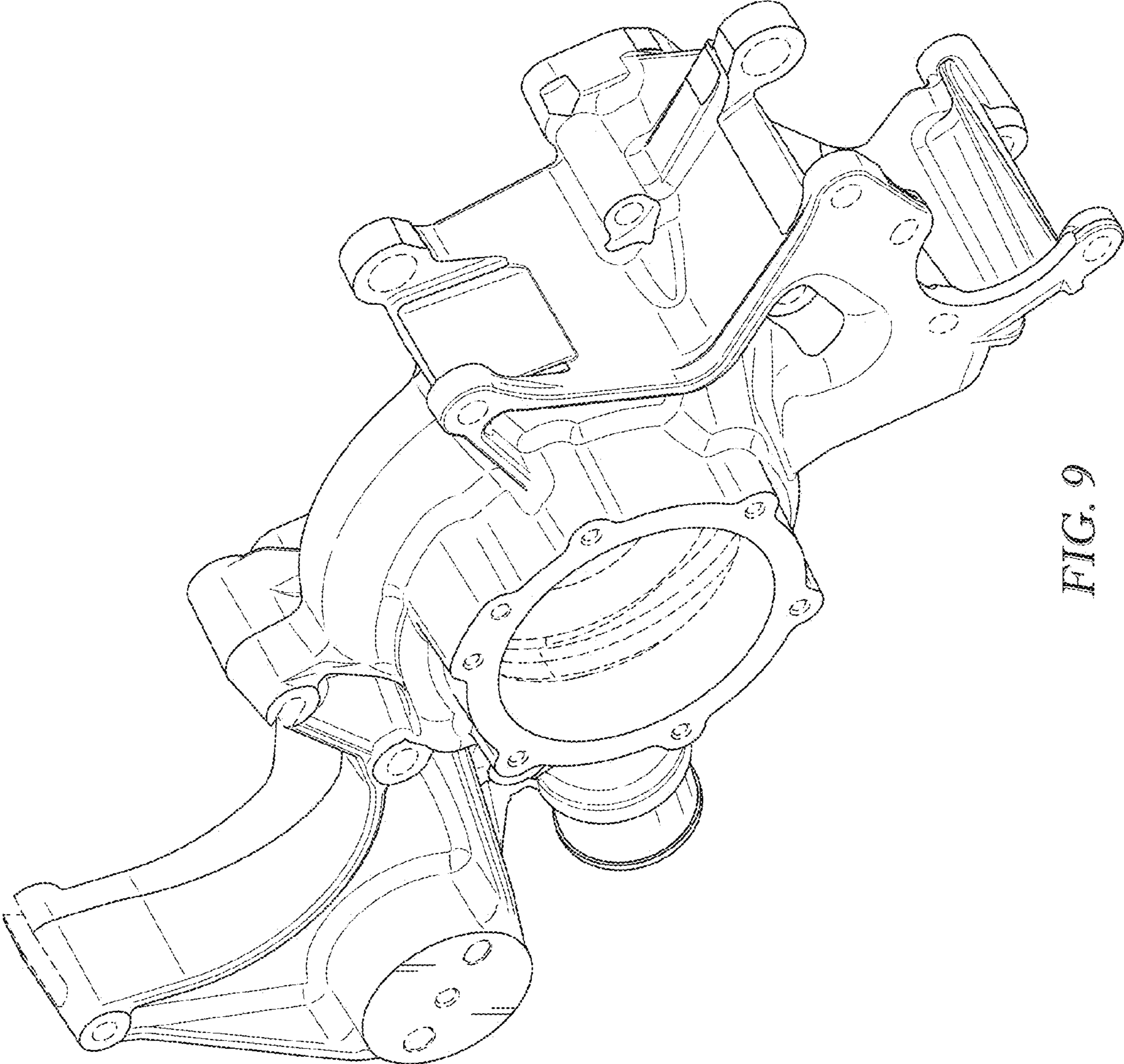


FIG. 9

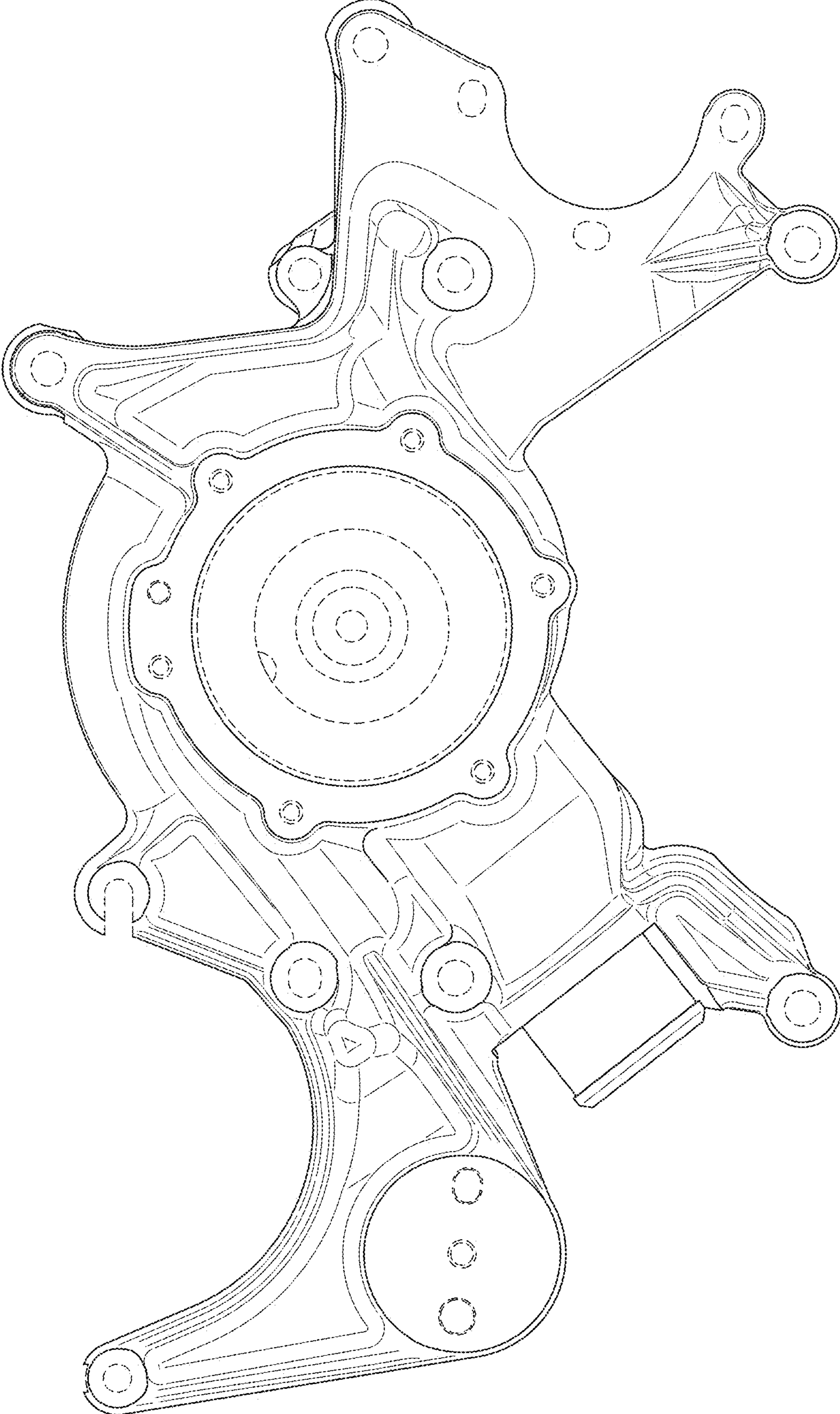


FIG. 10

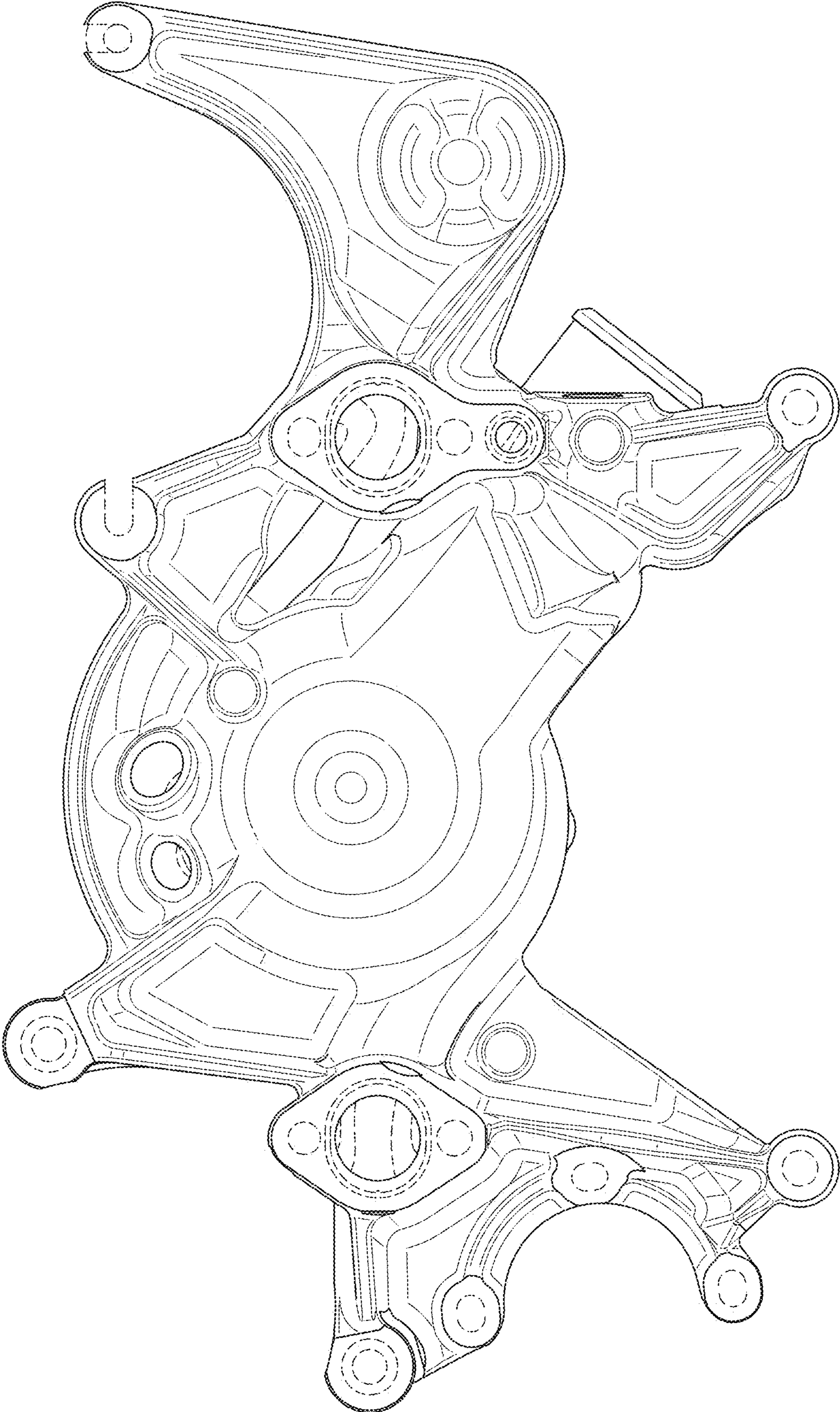


FIG. 11

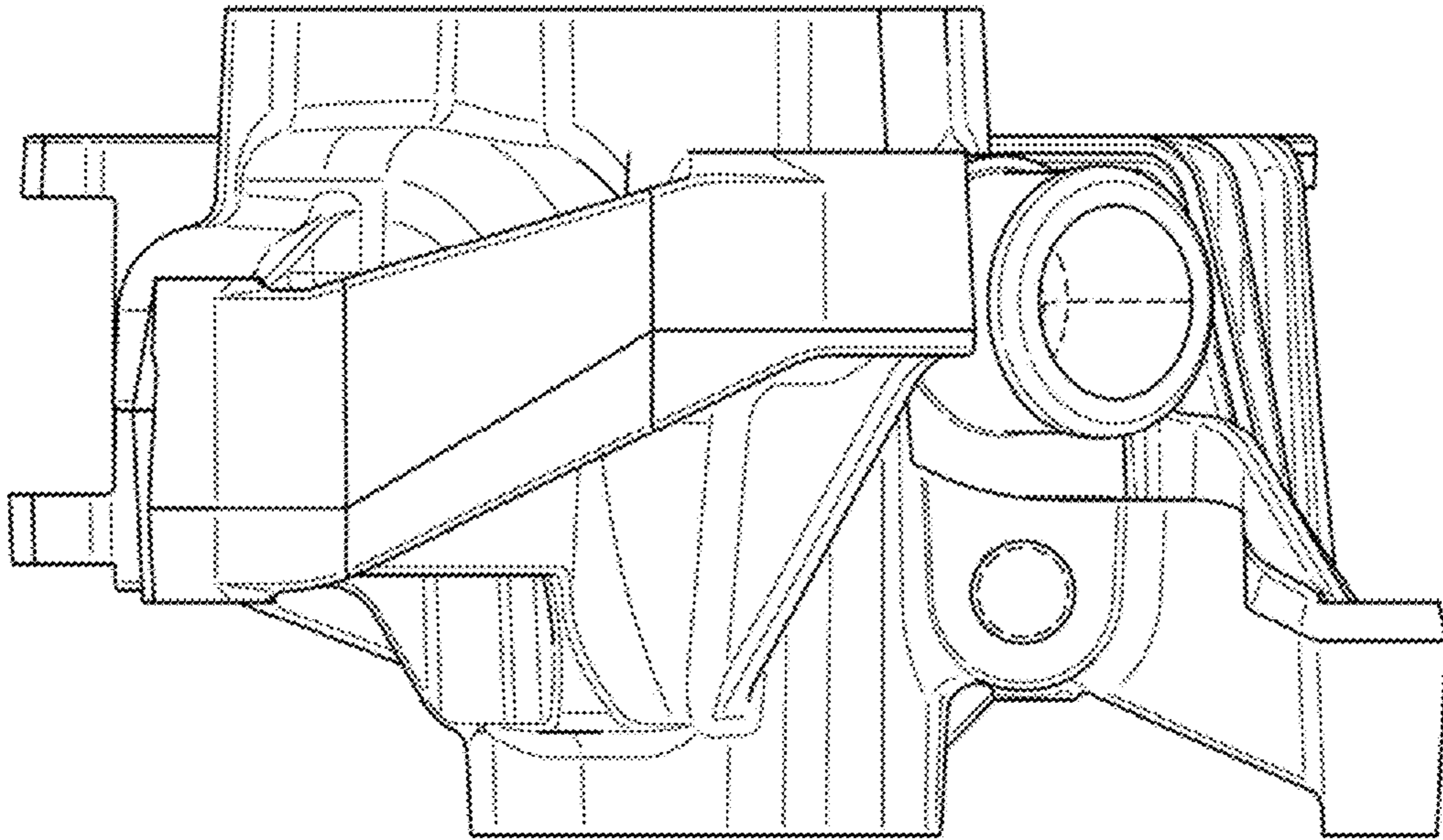


FIG. 12

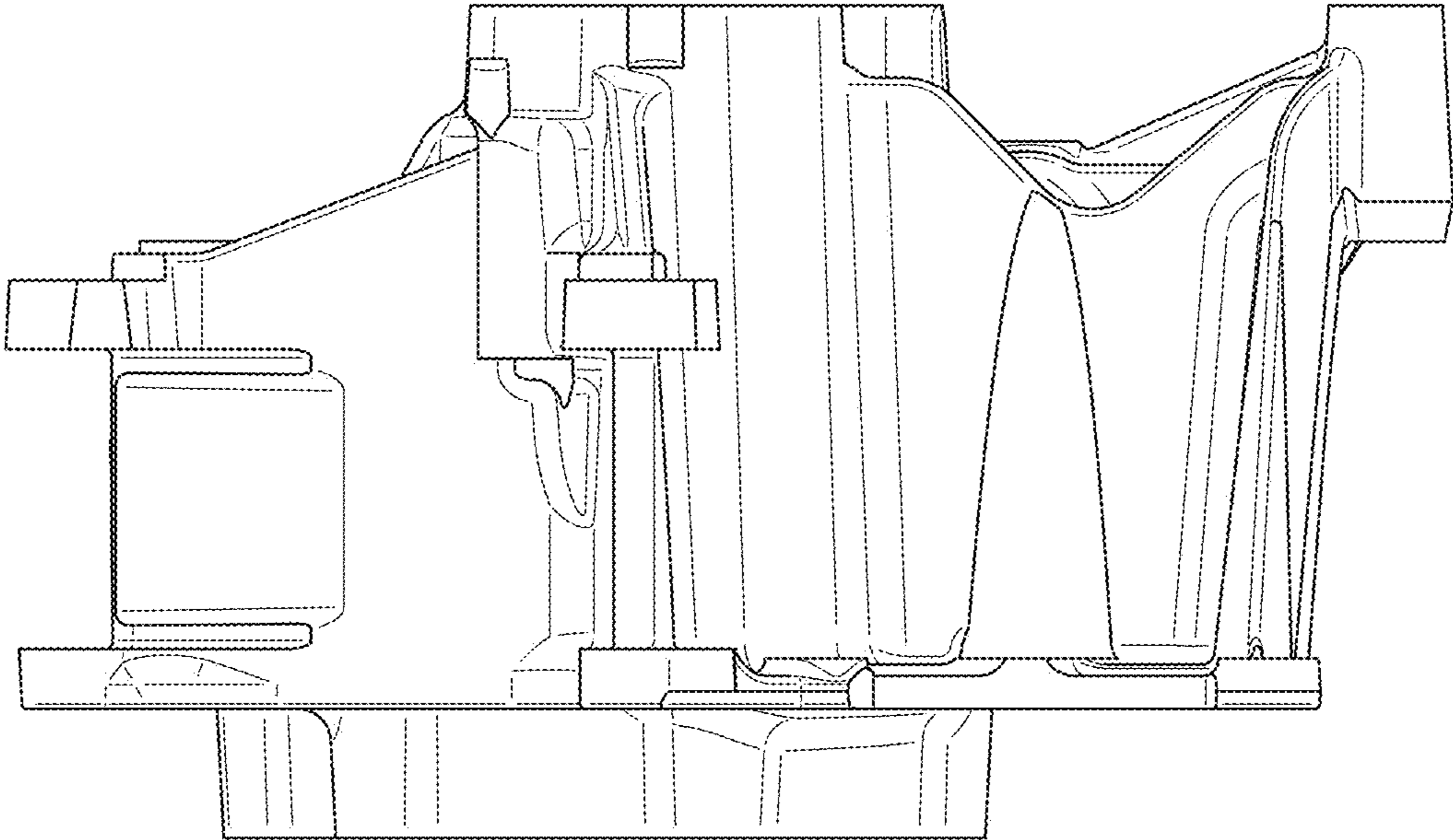


FIG. 13

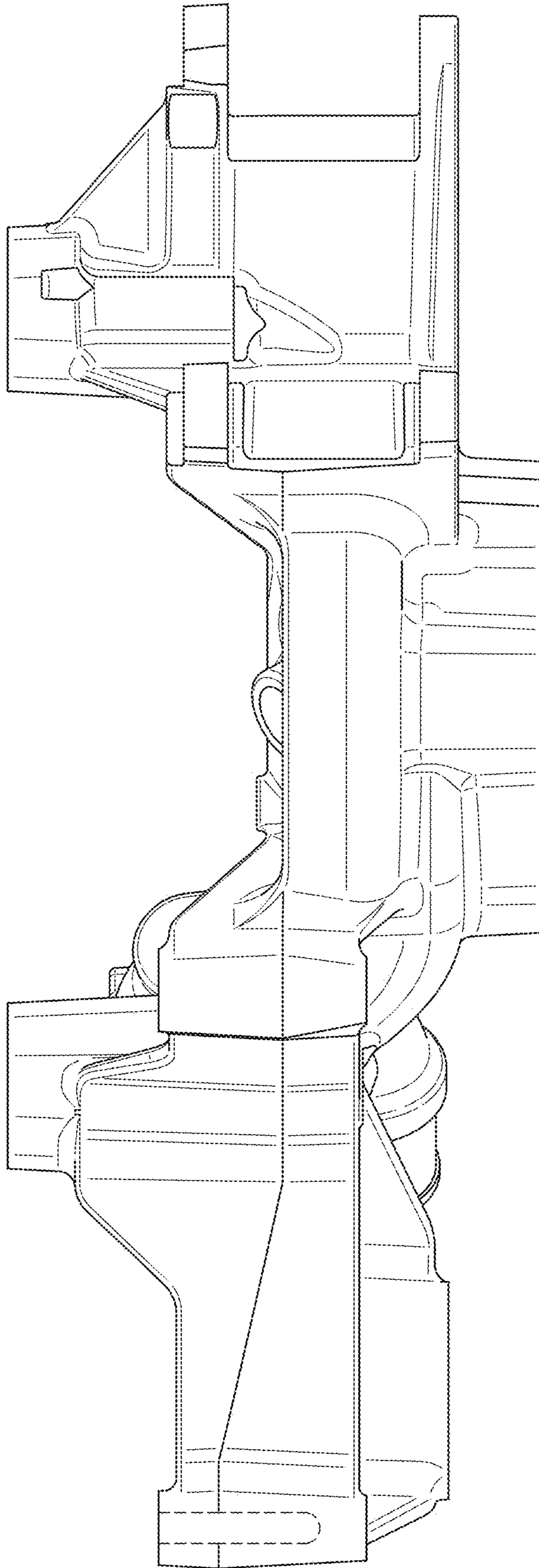


FIG. 14

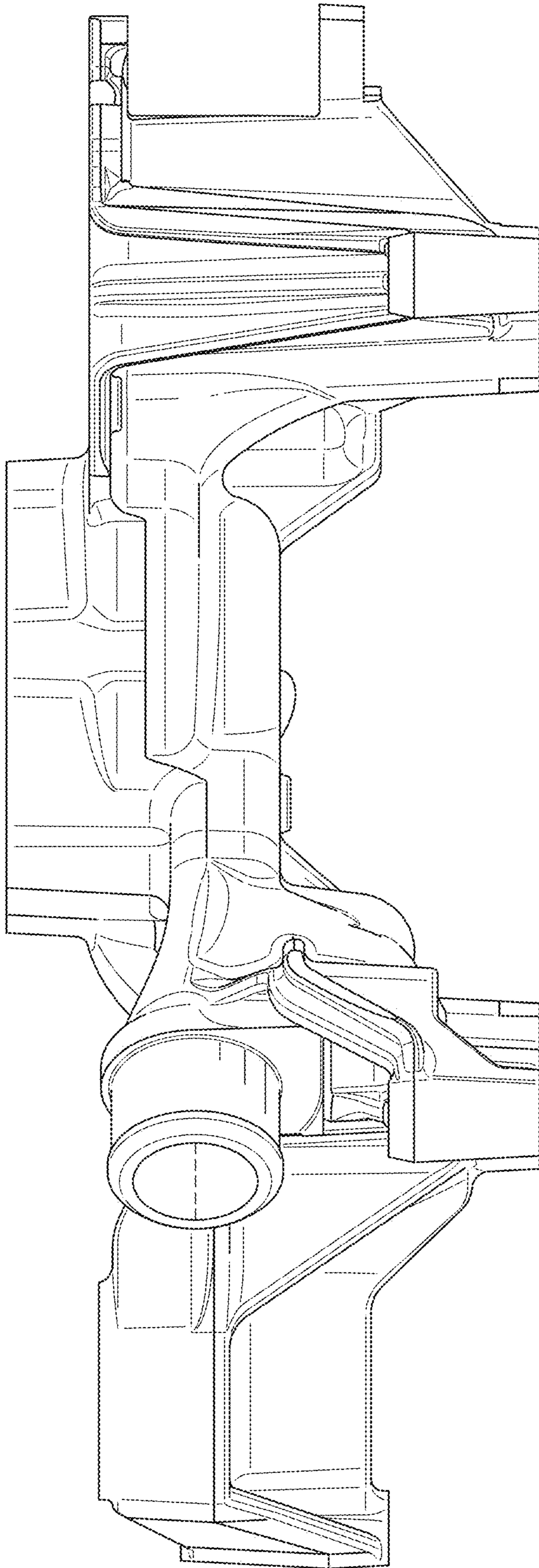


FIG. 15

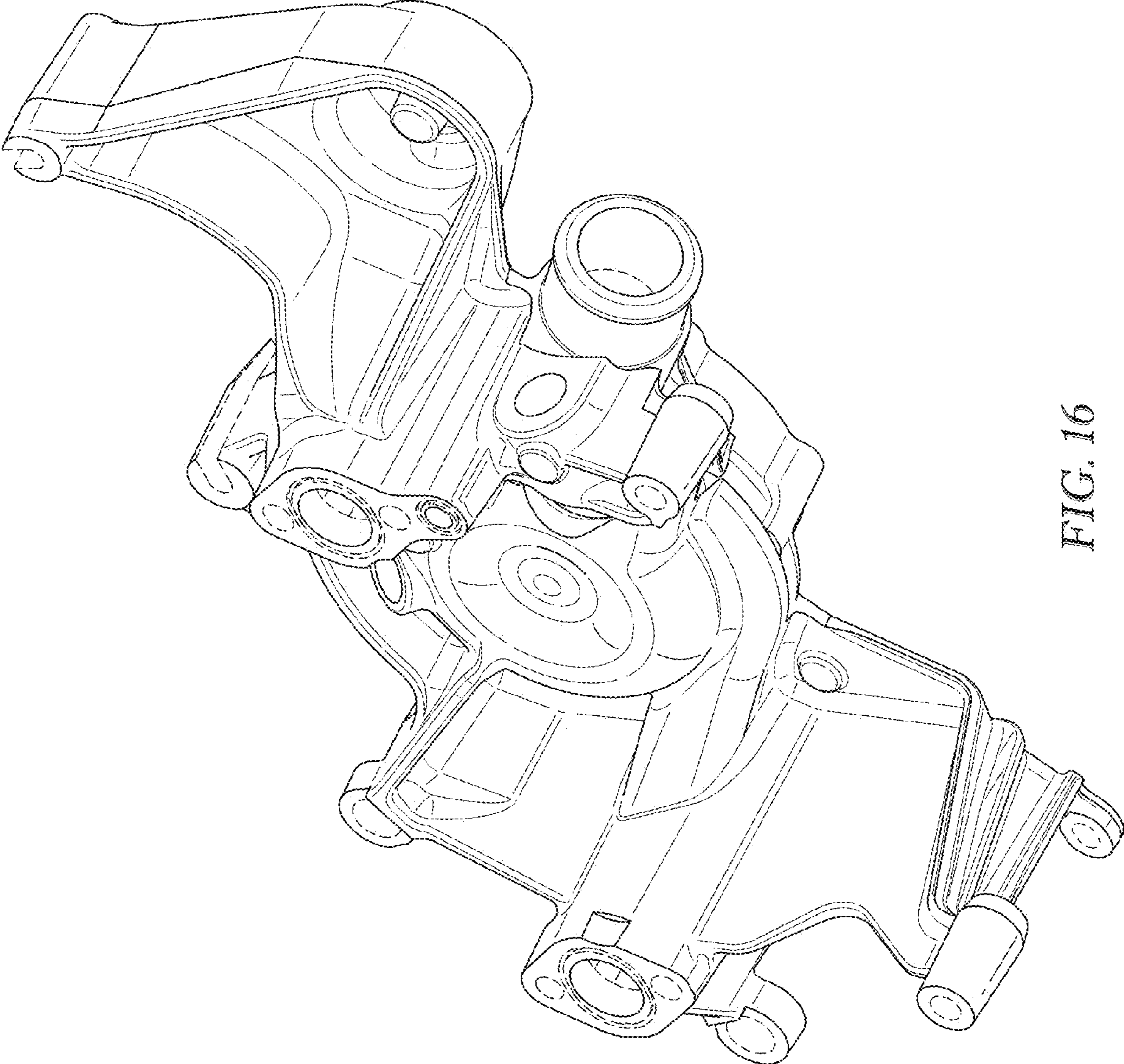


FIG. 16