



US00D902255S

(12) **United States Design Patent** (10) **Patent No.:** **US D902,255 S**
Greenawalt (45) **Date of Patent:** **** Nov. 17, 2020**

(54) **INTAKE SYSTEM**
(71) Applicant: **Jason R Greenawalt**, Greensburg, PA (US)
(72) Inventor: **Jason R Greenawalt**, Greensburg, PA (US)
(73) Assignee: **PRL Motorsports LLC**, Export, PA (US)
(**) Term: **15 Years**
(21) Appl. No.: **29/700,145**
(22) Filed: **Jul. 31, 2019**
(51) **LOC (12) Cl.** **15-01**
(52) **U.S. Cl.**
USPC **D15/5**
(58) **Field of Classification Search**
USPC D15/1, 2, 3, 4, 5, 6, 7; D23/259-269
CPC G01F 1/6842; F02M 35/10; F02M 35/10032; F02M 35/10078
See application file for complete search history.

(56) **References Cited**
U.S. PATENT DOCUMENTS
5,738,059 A * 4/1998 Van Dyne, II F02M 35/04 123/184.21
5,771,695 A * 6/1998 Halimi F02B 37/10 60/608
6,021,660 A * 2/2000 Pike F02M 69/48 29/799
6,467,359 B1 * 10/2002 Atwood G01F 1/44 73/861.52
7,302,843 B2 * 12/2007 Bender G01F 1/6842 73/202.5
D828,399 S * 9/2018 Fitzgerald D15/5
D829,315 S * 9/2018 Williams D23/365
D896,351 S * 9/2020 Banks, III D23/262
2002/0046724 A1 * 4/2002 Trautmann F02M 35/10059 123/184.21

2004/0055570 A1 * 3/2004 Bielicki F15D 1/04 123/402
2005/0153593 A1 * 7/2005 Takayanagi F02M 35/10354 439/352
2006/0185639 A1 * 8/2006 Rosenbaum F16L 41/023 123/184.21
2007/0021049 A1 * 1/2007 Bender G01F 1/6842 454/141

(Continued)

FOREIGN PATENT DOCUMENTS

GB 2394254 A * 4/2004 F02M 35/021
WO WO-2019127187 A1 * 7/2019 F02M 35/10

OTHER PUBLICATIONS

PRL motorsports Instagram page <https://www.instagram.com/p/BtO4SowB2HU/?igshid=1rit34mhi1cxv> (Year: 2019).*

Primary Examiner — Ania Aman
(74) *Attorney, Agent, or Firm* — Dentons Cohen & Grigsby P.C.

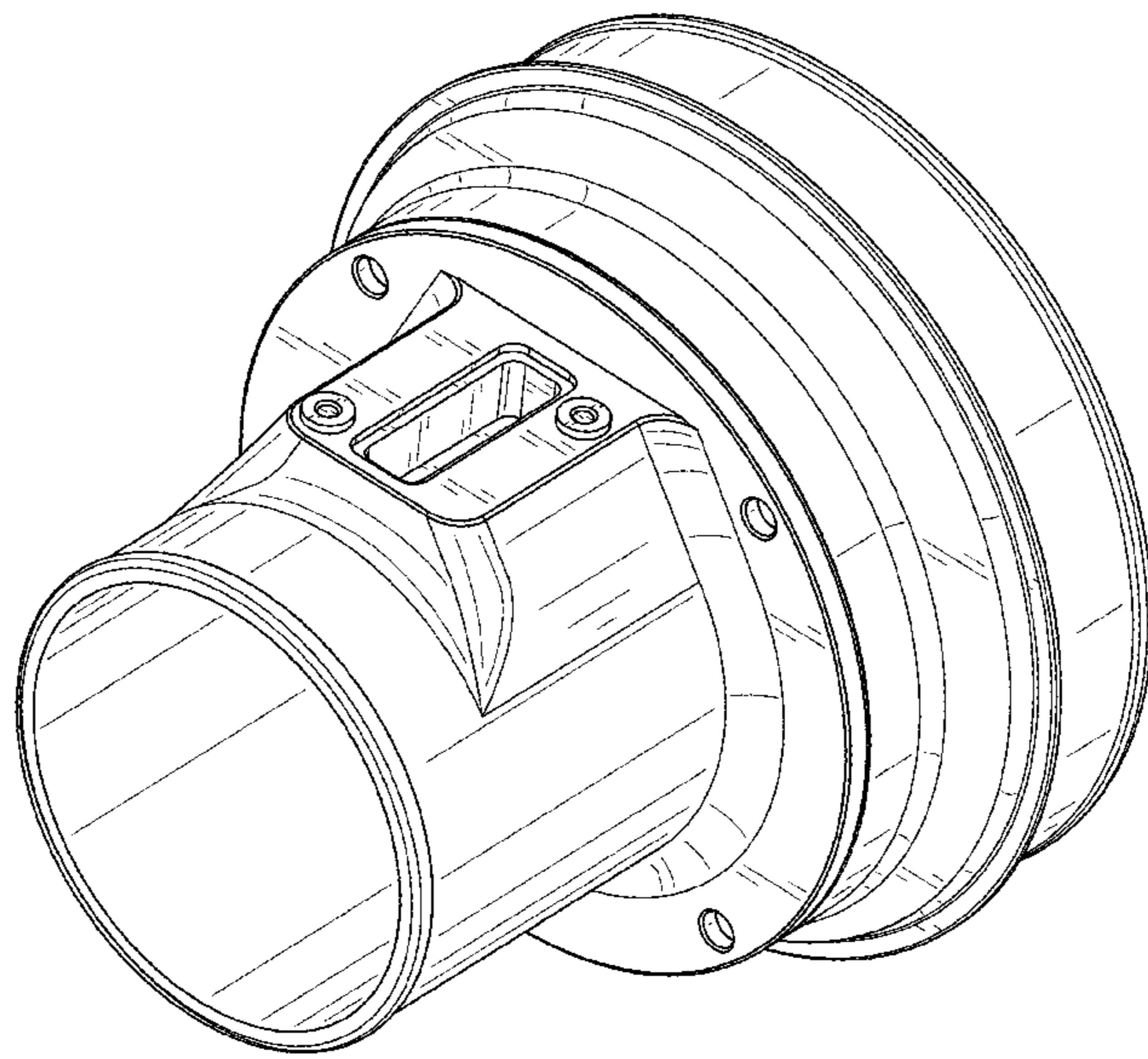
(57) **CLAIM**

The ornamental design for an intake system, as shown and described.

DESCRIPTION

FIG. 1 is a front perspective view of the intake system.
FIG. 2 is a front view of the intake system.
FIG. 3 is a rear view of the intake system.
FIG. 4 is a right side view of the intake system.
FIG. 5 is a left side view of the intake system.
FIG. 6 is a top view of the intake system.
FIG. 7 is a bottom view of the intake system.
FIG. 8 is a top perspective exploded view of the intake system; and,
FIG. 9 is a cross-sectional view taken along line 9 in FIG. 8.

1 Claim, 9 Drawing Sheets



(56)

References Cited

U.S. PATENT DOCUMENTS

2009/0102181 A1* 4/2009 Hartmann F02M 35/10144
285/26
2009/0241683 A1* 10/2009 Perr G01F 15/185
73/861
2010/0018400 A1* 1/2010 Dirnberger F02M 35/10386
96/422
2012/0312270 A1* 12/2012 Kaiser G01F 1/684
123/184.21
2013/0025353 A1* 1/2013 Setescak G01F 15/00
73/114.32
2013/0036806 A1* 2/2013 Kohno G01F 1/684
73/114.33
2016/0059171 A1* 3/2016 Lukasavitz B01D 46/0049
96/422
2017/0260940 A1* 9/2017 Williams F02M 35/02483
2018/0372040 A1* 12/2018 French B29C 45/14598

* cited by examiner

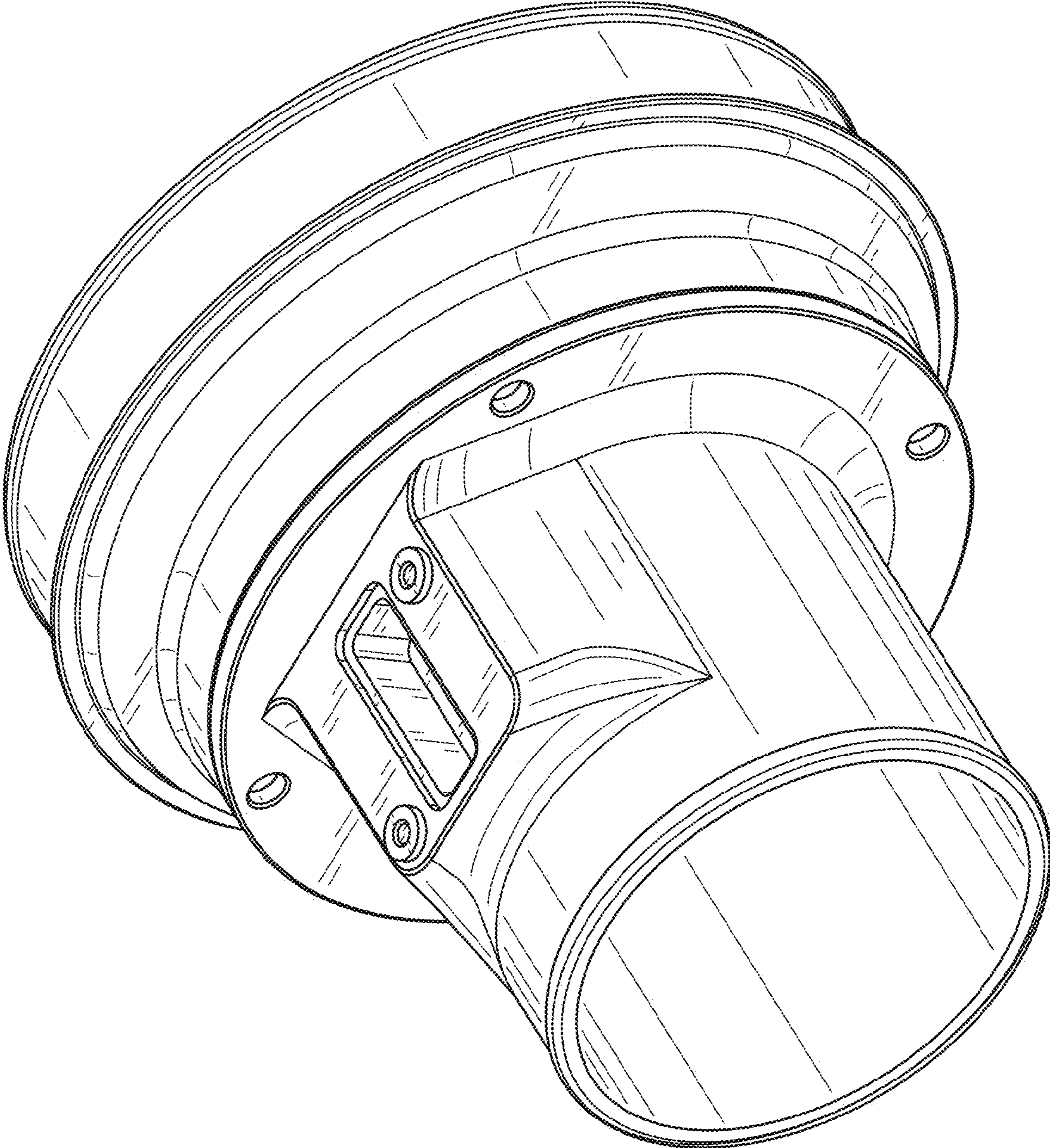


FIG. 1

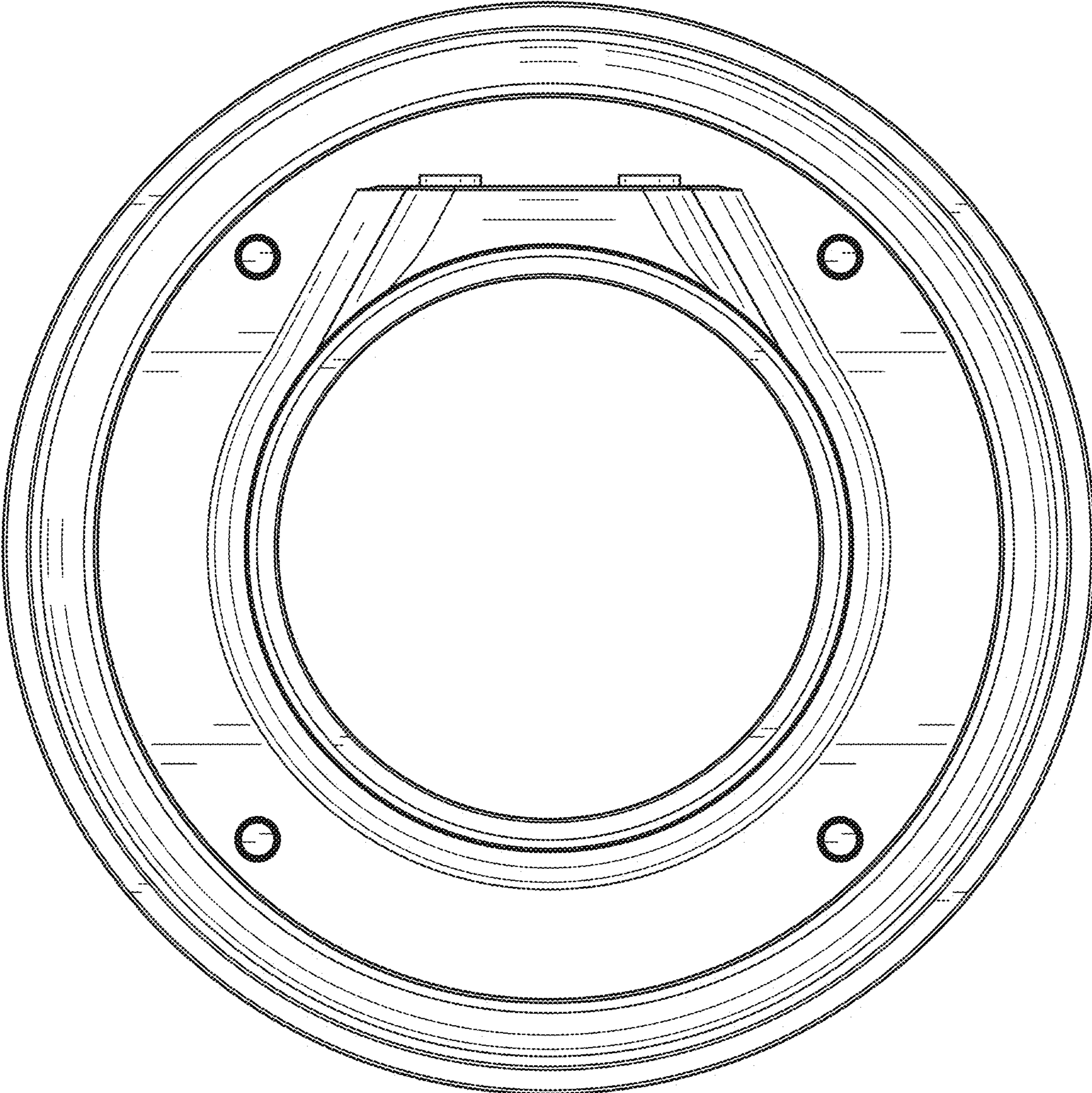


FIG. 2

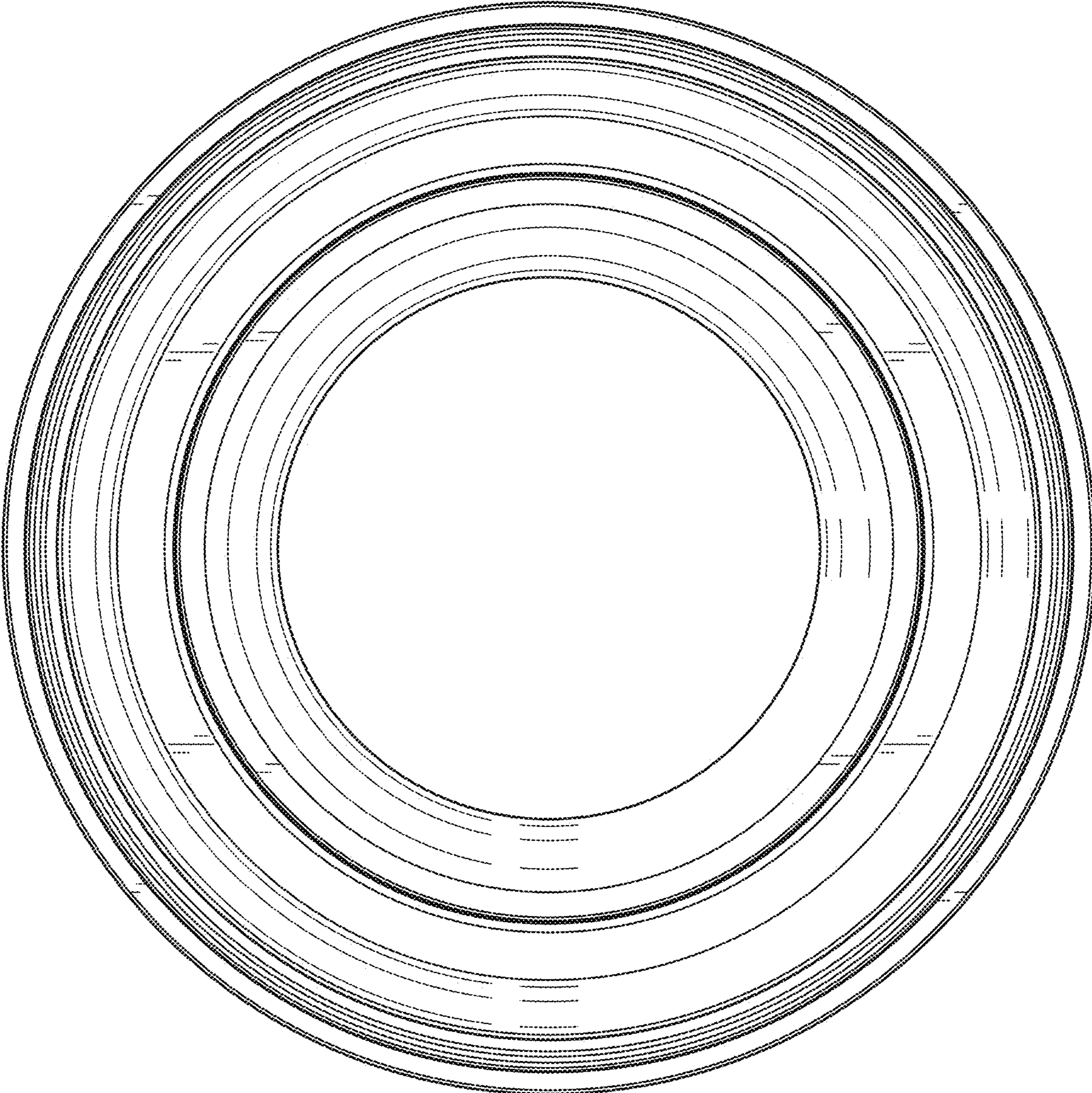


FIG. 3

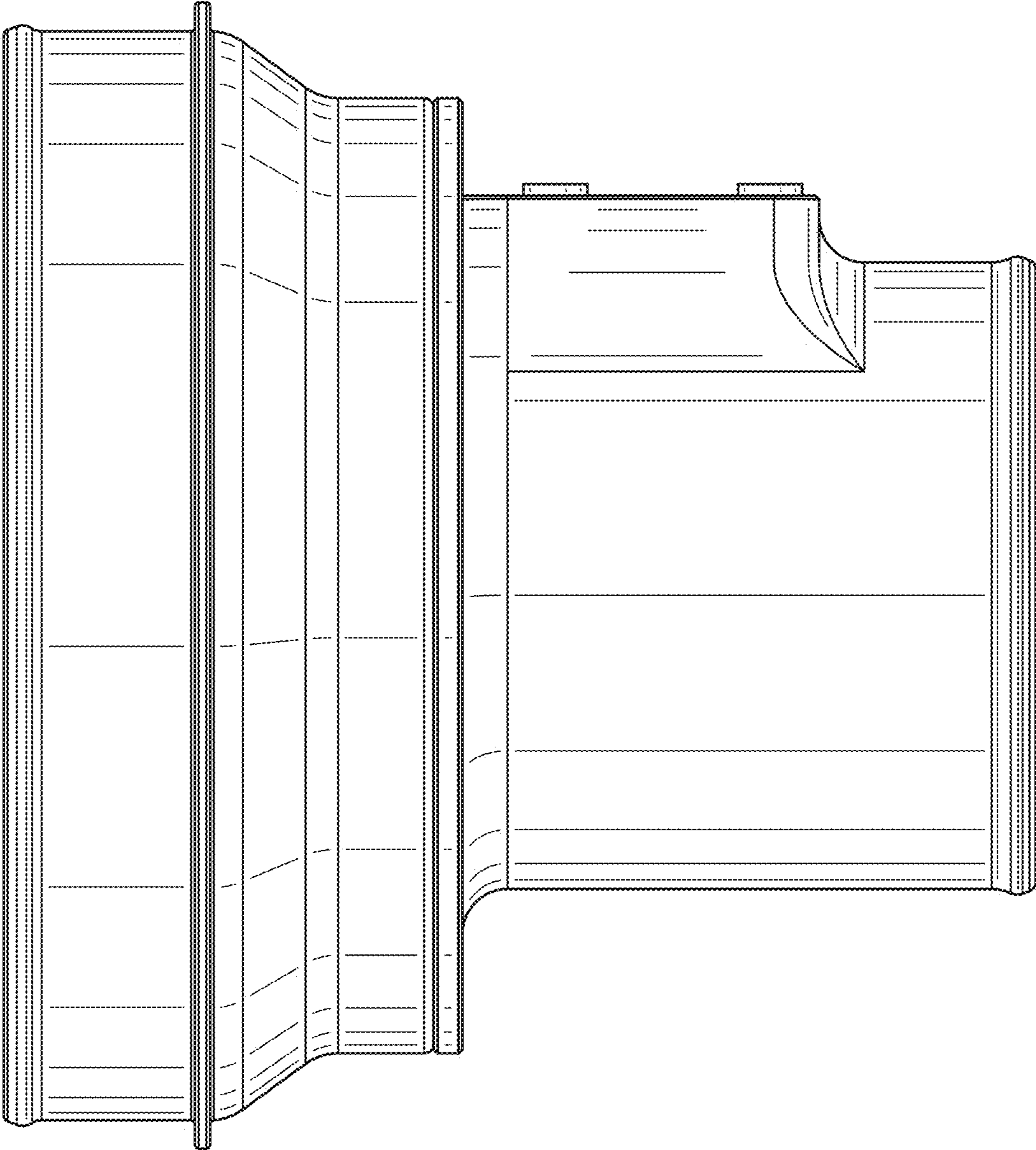


FIG. 4

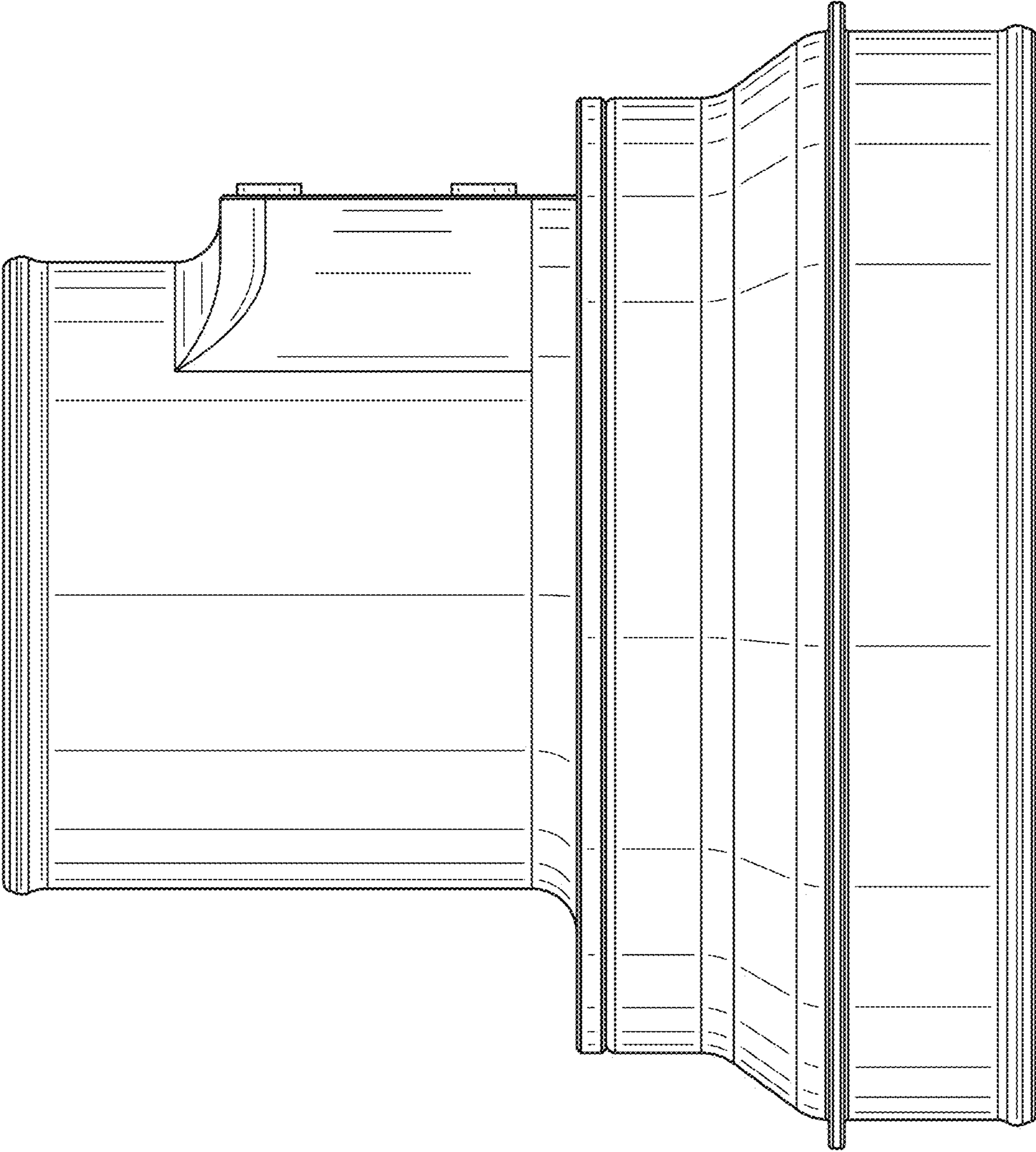


FIG. 5

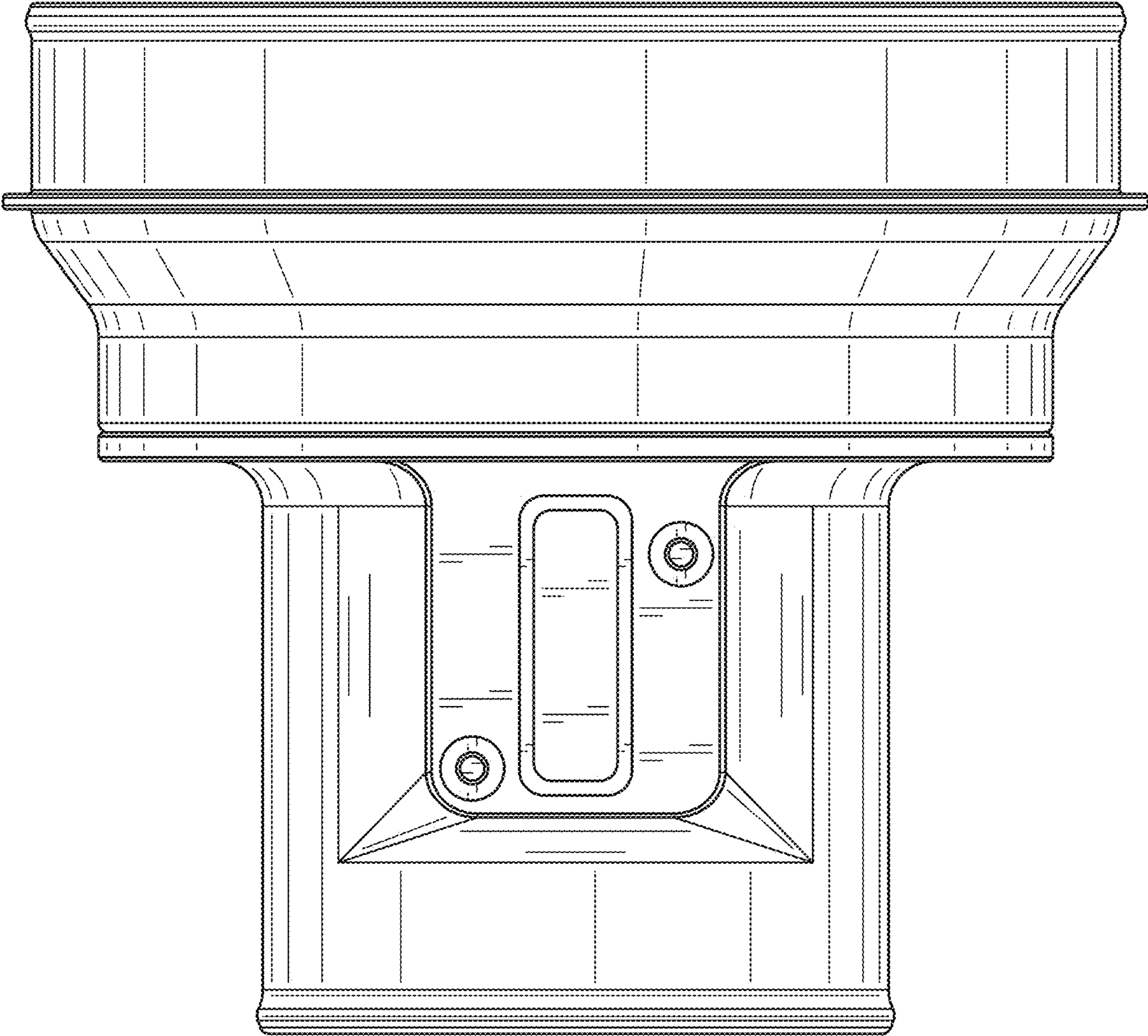


FIG. 6

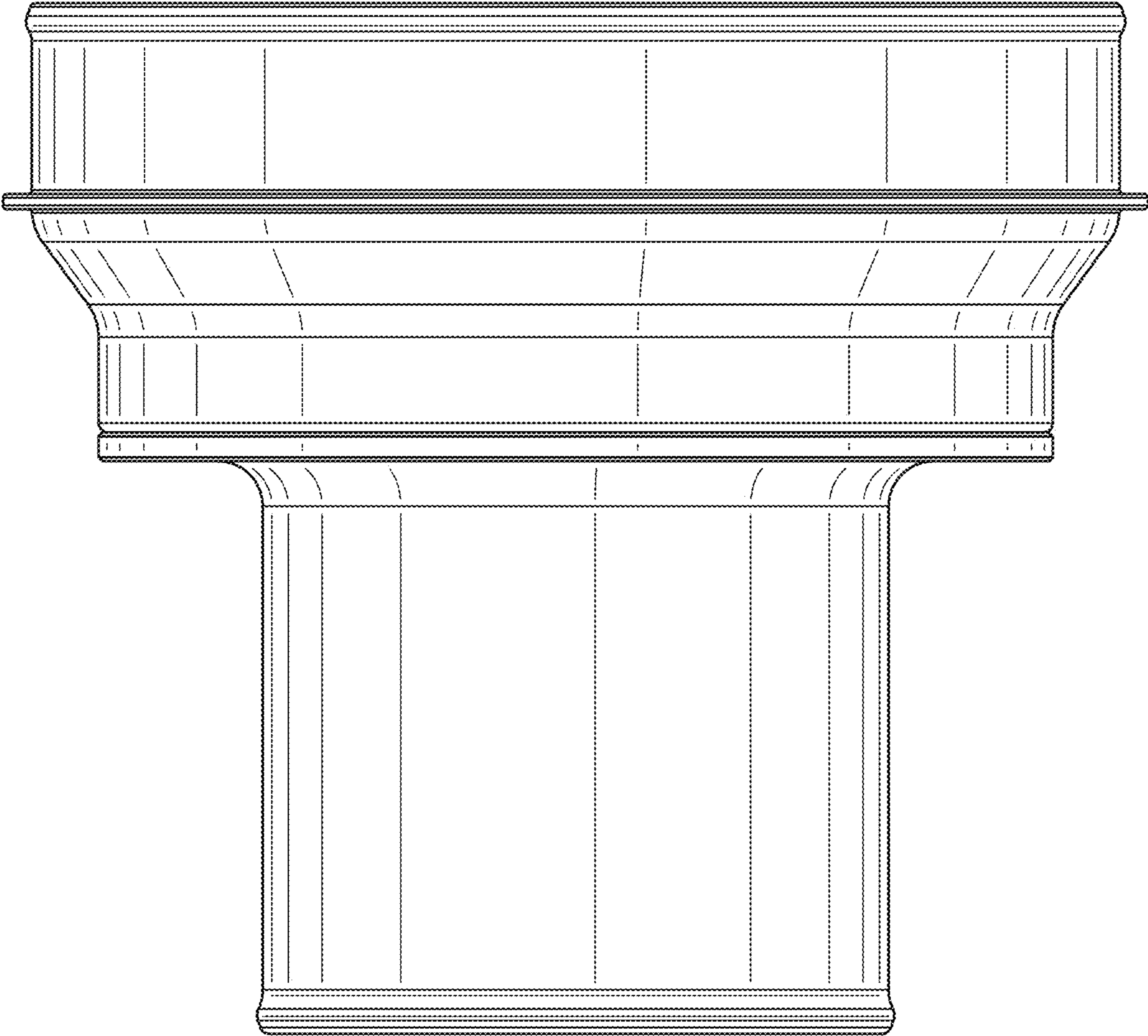


FIG. 7

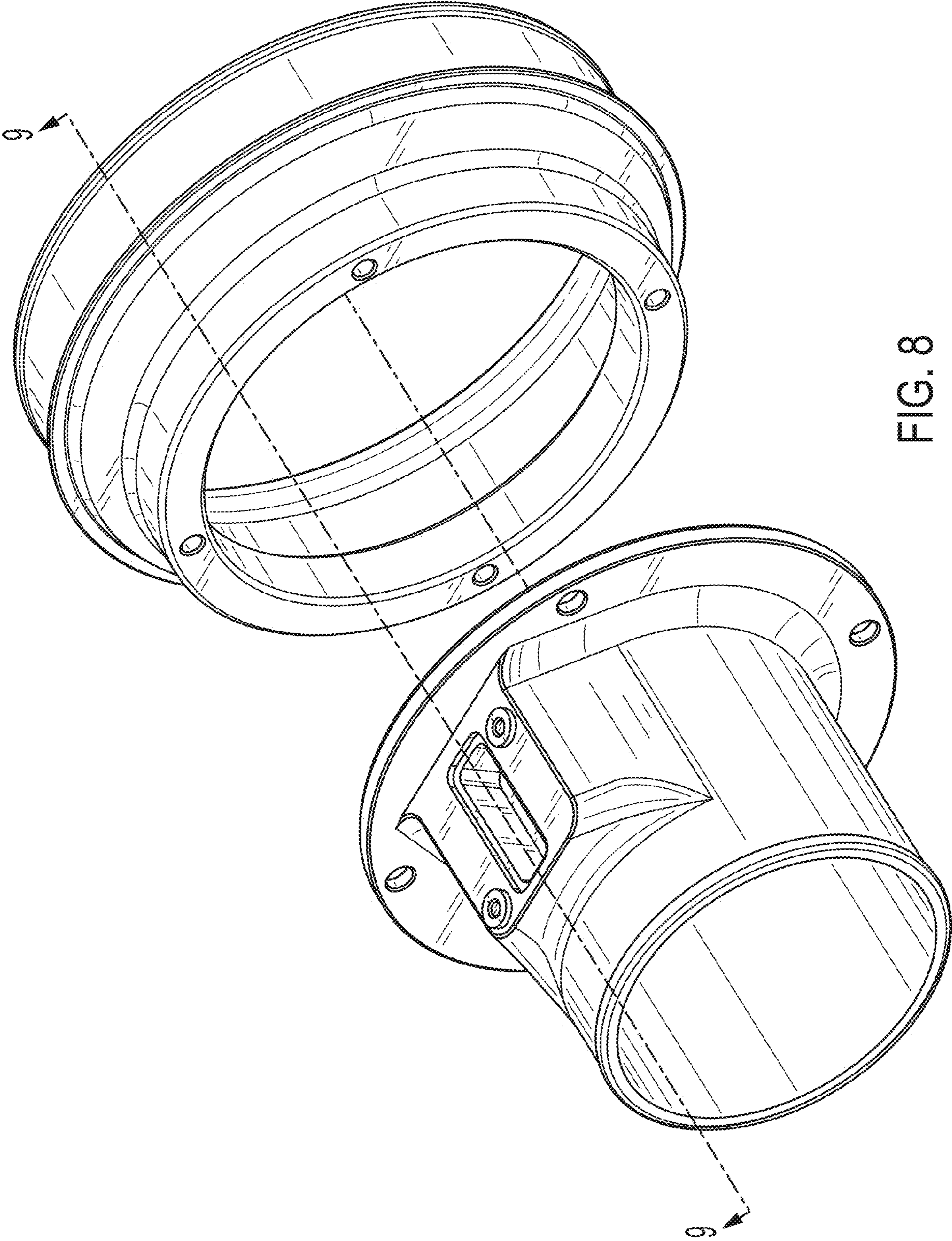


FIG. 8

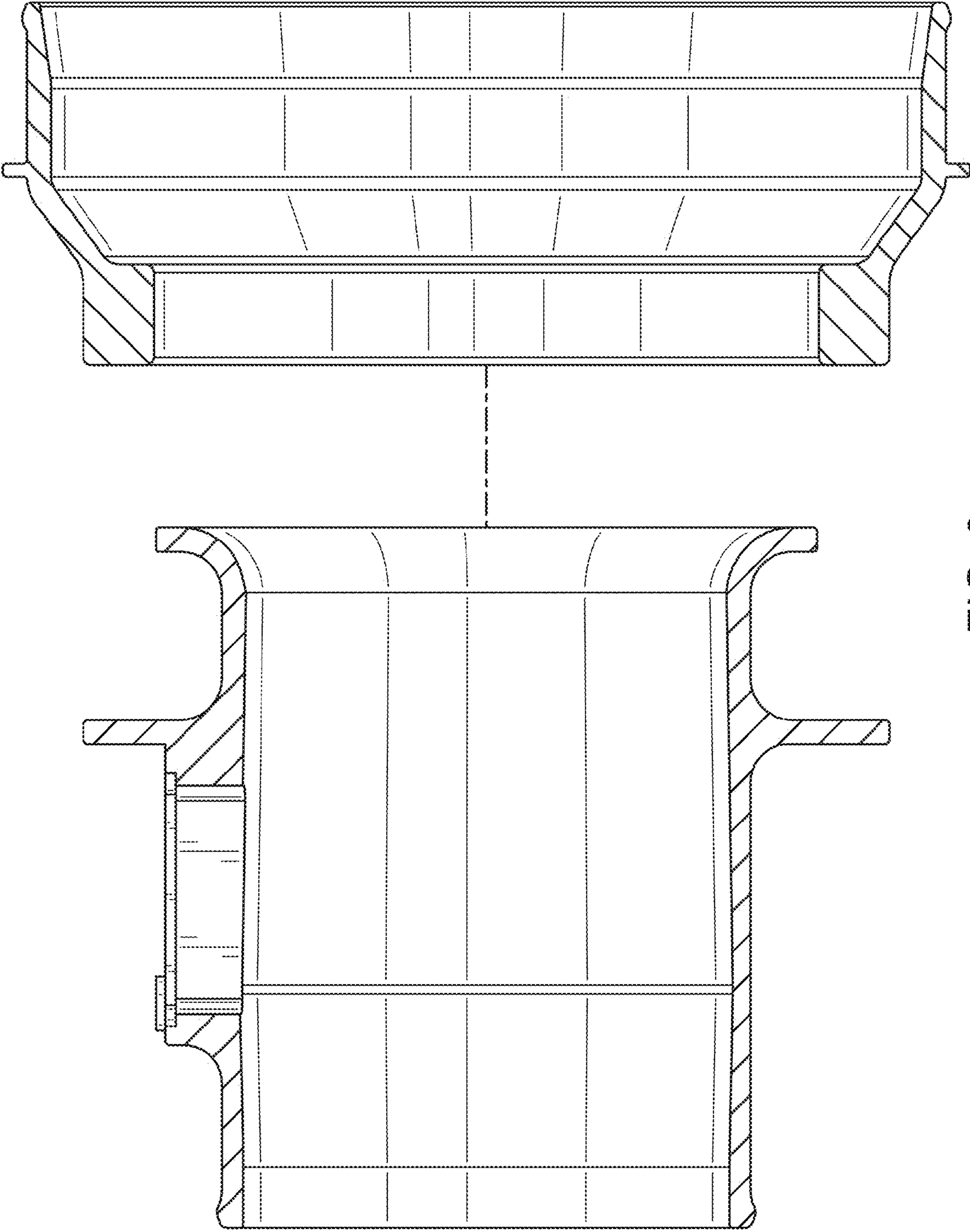


FIG. 9