



US00D902253S

(12) **United States Design Patent**  
**Now**

(10) **Patent No.:** **US D902,253 S**

(45) **Date of Patent:** **\*\* Nov. 17, 2020**

(54) **ADJUSTABLE EXHAUST OXYGEN SENSOR FLOW RESTRICTOR**

(71) Applicant: **Leo Now**, San Francisco, CA (US)

(72) Inventor: **Leo Now**, San Francisco, CA (US)

(\*\*) Term: **15 Years**

(21) Appl. No.: **29/670,274**

(22) Filed: **Nov. 14, 2018**

(51) **LOC (12) Cl.** ..... **15-01**

(52) **U.S. Cl.**  
USPC ..... **D15/5; D10/96**

(58) **Field of Classification Search**

USPC ..... D10/46, 96; D15/5; D23/233, 235, 247, D23/248, 249, 259, 262, 263, 264, 266  
CPC H01F 7/1638; F02M 51/0685; F02M 61/165; F02M 51/0614; F02M 51/0632; F02M 51/005; F02M 51/0625; F02M 51/08; F02M 69/08; F02M 51/02; F02M 7/20; F02M 7/28; F02M 7/23; Y10S 239/90; F02D 35/0053

See application file for complete search history.

(56) **References Cited**

**U.S. PATENT DOCUMENTS**

4,135,482 A \* 1/1979 Bier ..... F02M 7/23  
123/680  
4,524,743 A \* 6/1985 McAuliffe, Jr. .... F02M 51/02  
123/438

4,725,041 A \* 2/1988 Chauvin ..... F02M 51/005  
251/129.15  
2005/0258266 A1\* 11/2005 Elia ..... F02M 61/1853  
239/5  
2018/0023438 A1\* 1/2018 McFarland ..... F01N 3/2066  
422/168

\* cited by examiner

*Primary Examiner* — Antoine Duval Davis

(74) *Attorney, Agent, or Firm* — Quickpatents, LLC; Kevin Prince

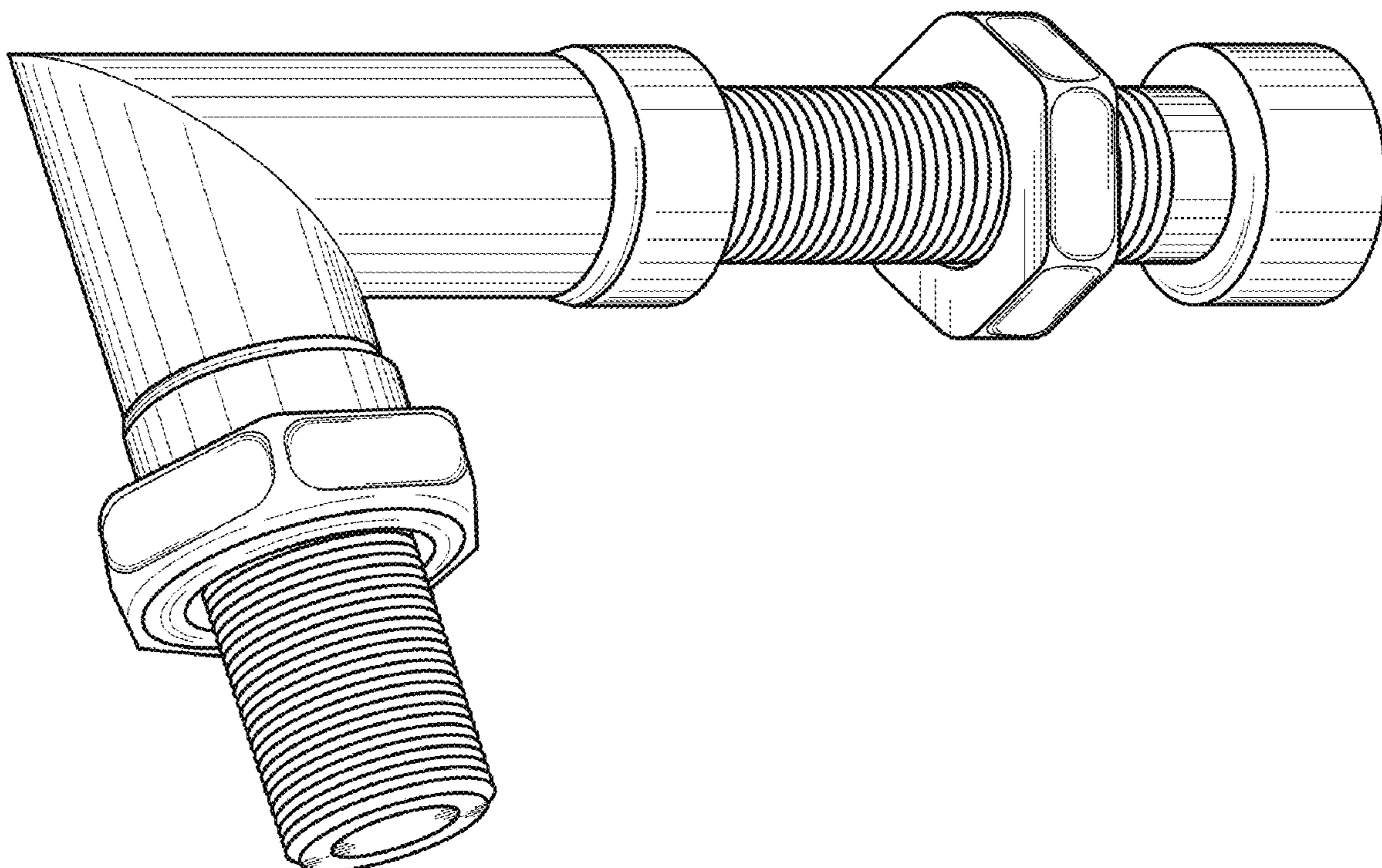
(57) **CLAIM**

I claim the ornamental design for an adjustable exhaust oxygen sensor flow restrictor, as shown and described.

**DESCRIPTION**

FIG. 1 is a perspective view of an adjustable exhaust oxygen sensor flow restrictor, showing my new design; FIG. 2 is a front elevational view thereof; FIG. 3 is a bottom plan view thereof; FIG. 4 is a top plan view thereof; FIG. 5 is a rear elevational view thereof; FIG. 6 is a right-side elevational view thereof; FIG. 7 is a left-side elevational view thereof; FIG. 8 is an exploded perspective view thereof; FIG. 9 is an exploded right-side elevational view thereof; FIG. 10 is an exploded left-side elevational view thereof; FIG. 11 is an exploded bottom plan view thereof; FIG. 12 is an exploded front elevational view thereof; FIG. 13 is an exploded top plan view thereof; and, FIG. 14 is an exploded rear elevational view thereof. The broken lines in the figures depict portions of the adjustable exhaust oxygen sensor flow restrictor that form no part of the claimed design.

**1 Claim, 7 Drawing Sheets**



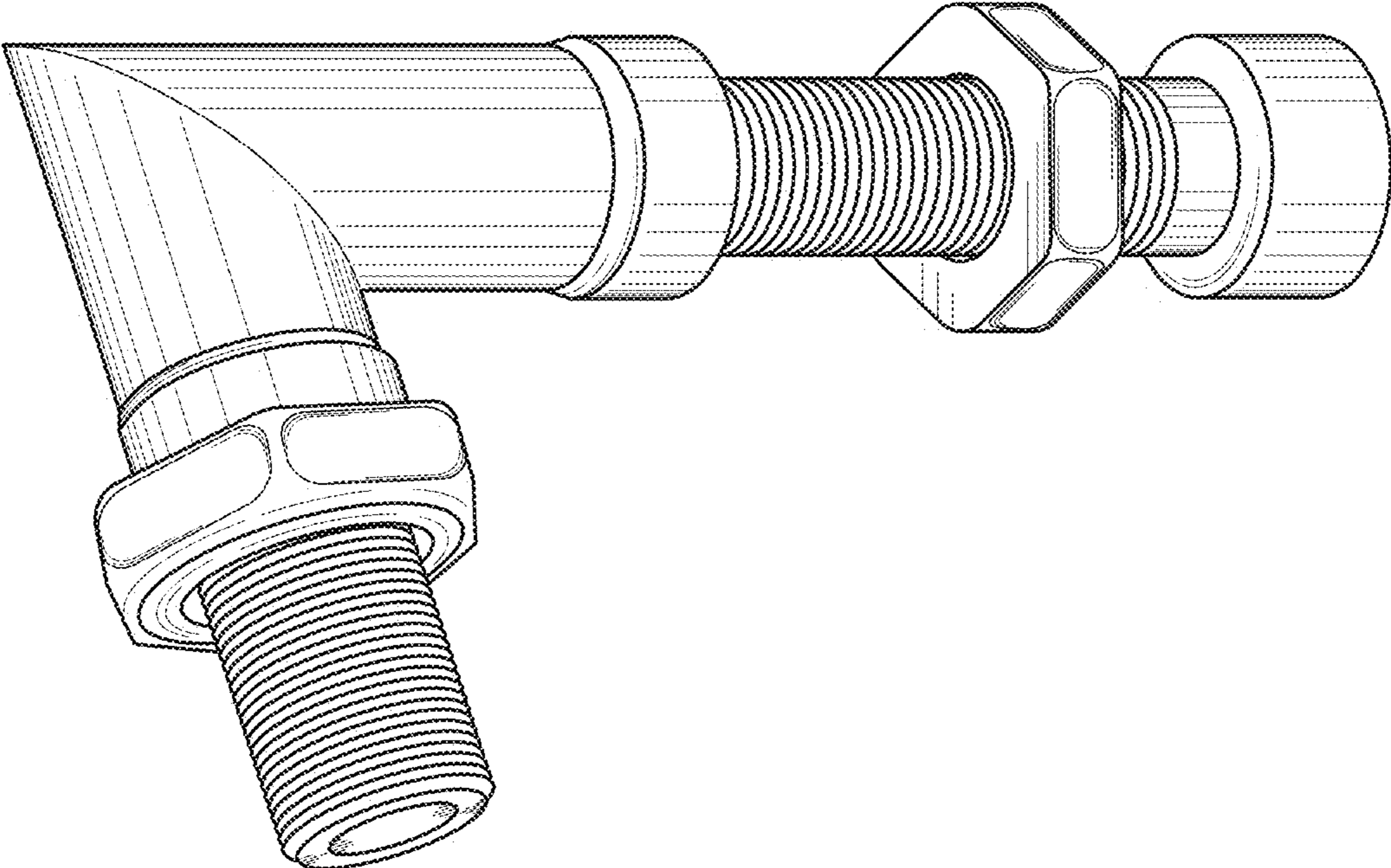


FIG. 1

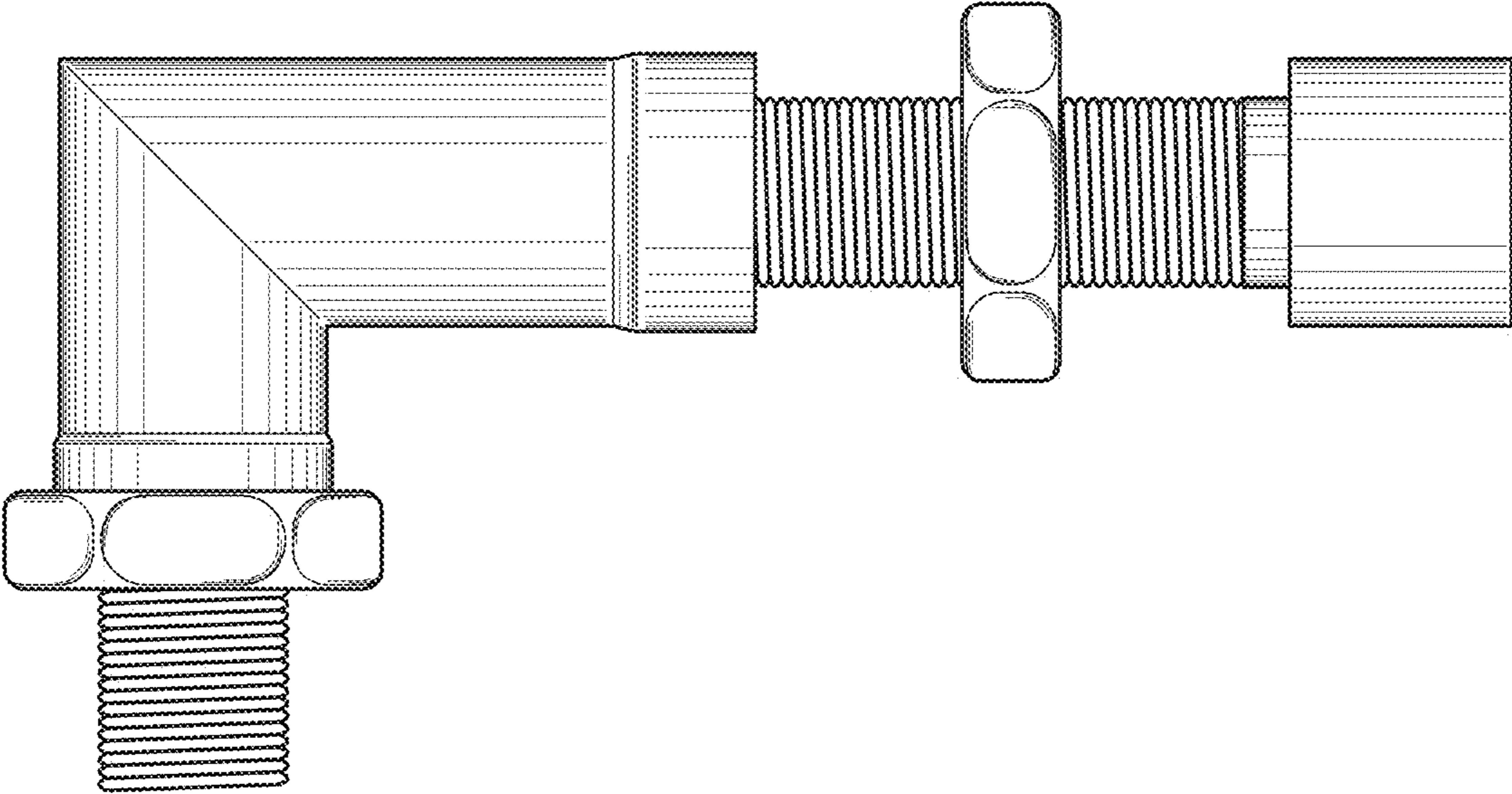


FIG. 2



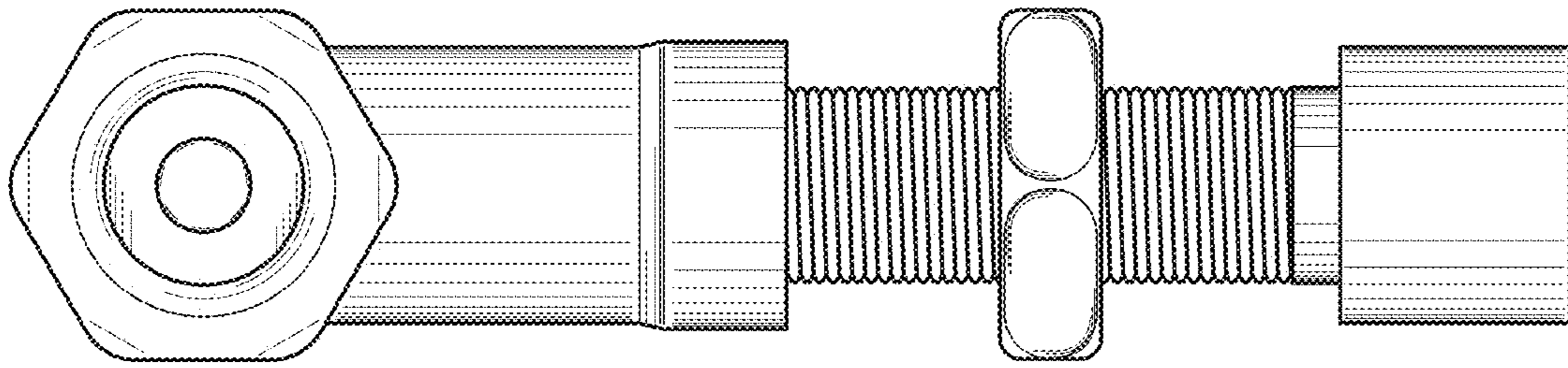


FIG. 3

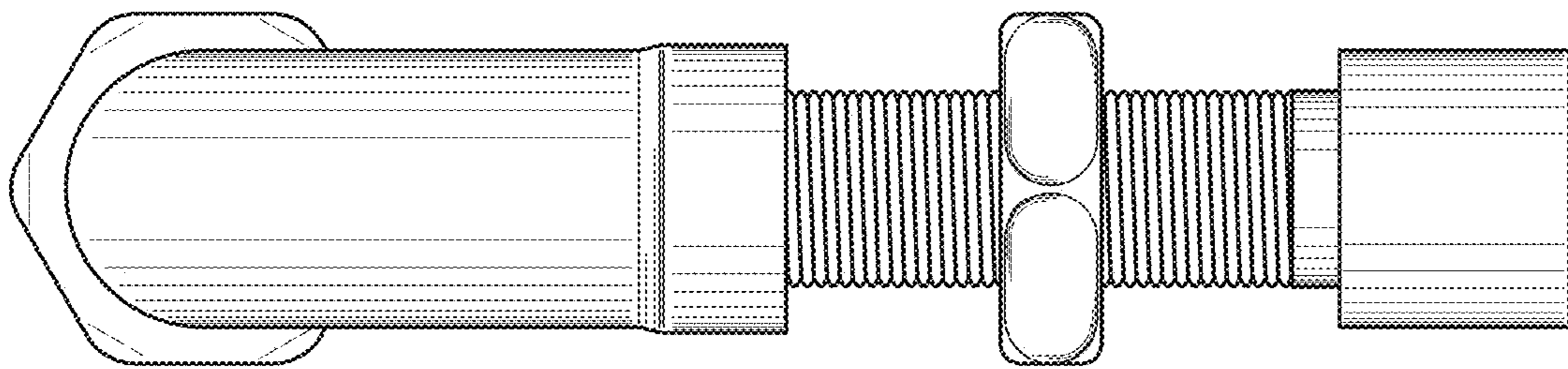


FIG. 4

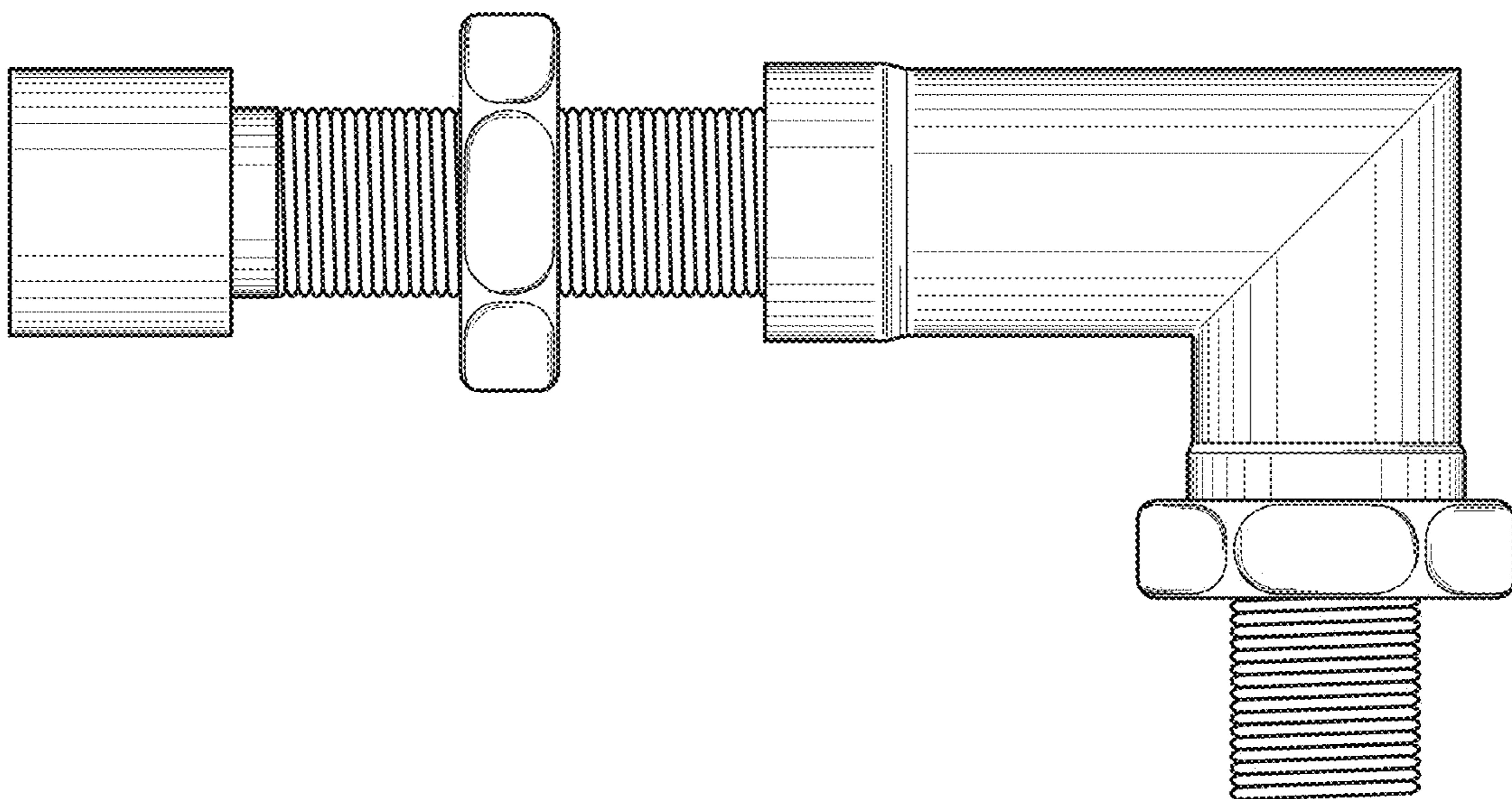


FIG. 5

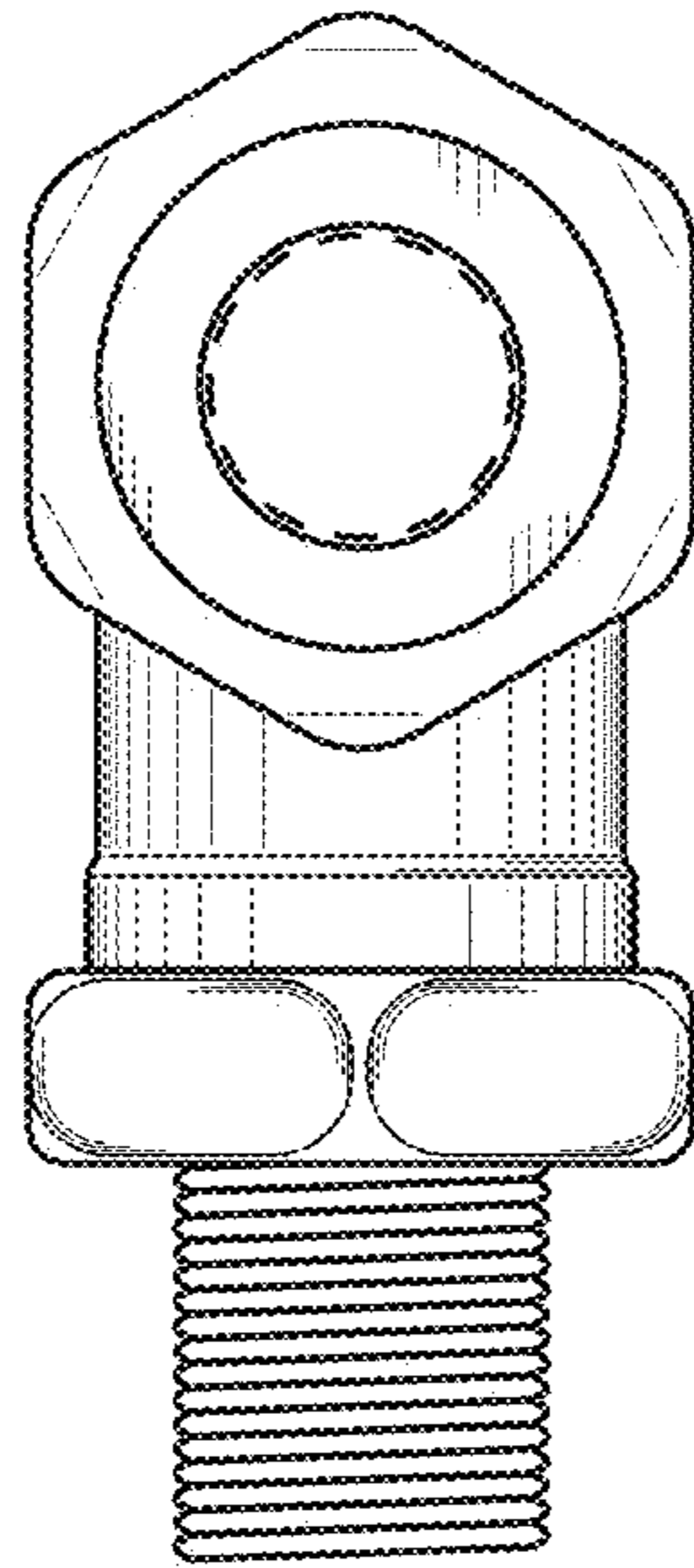


FIG. 6

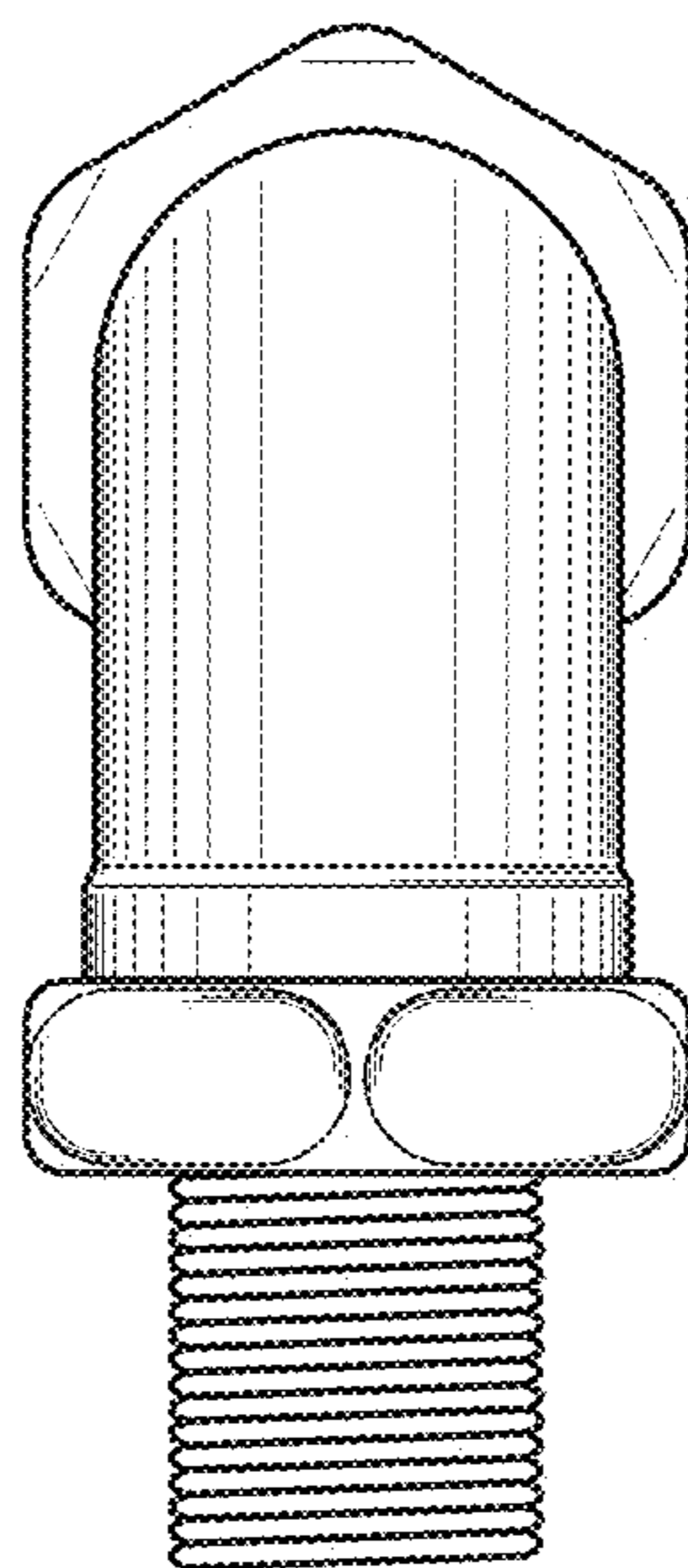


FIG. 7

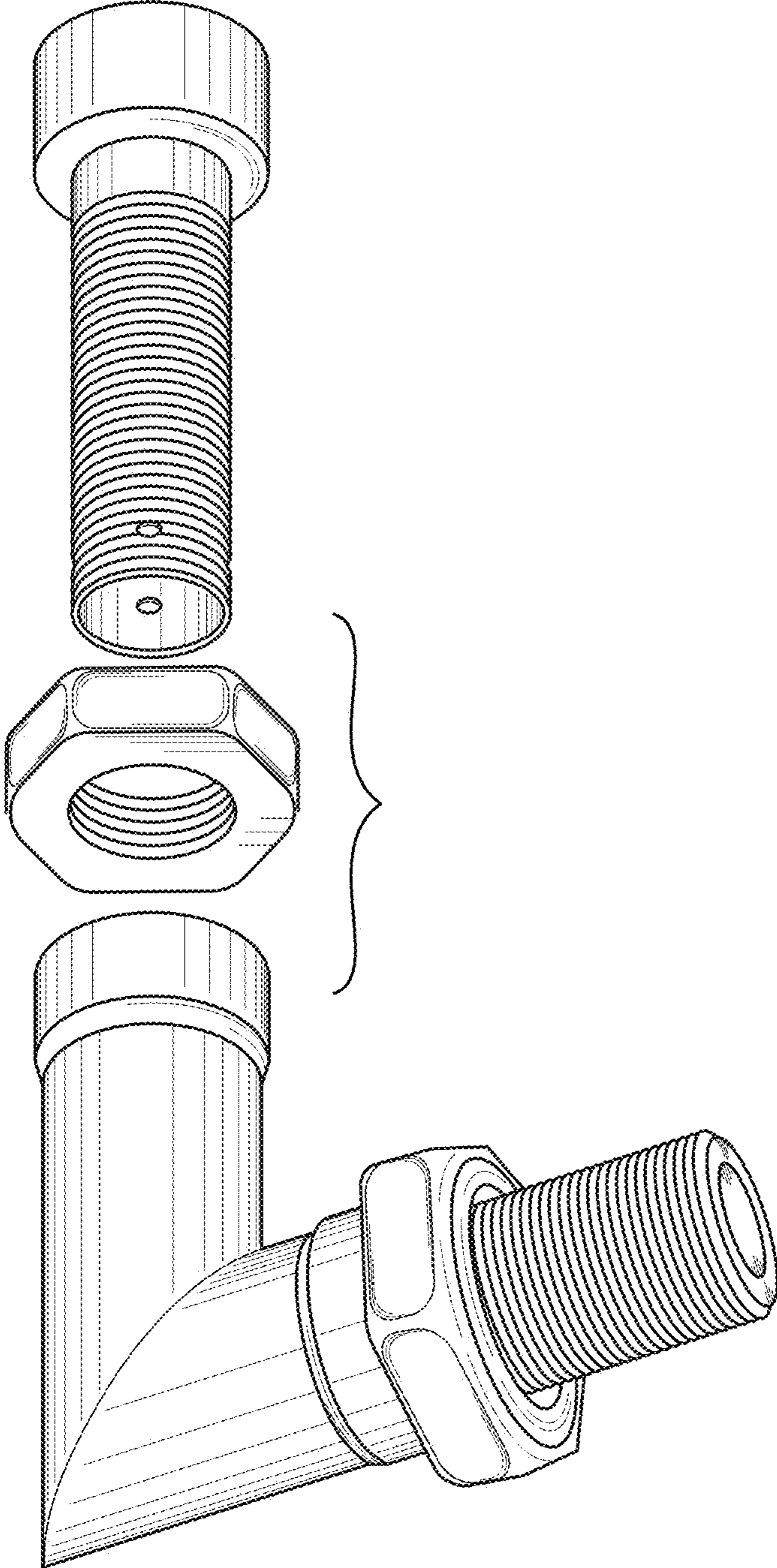


FIG. 8

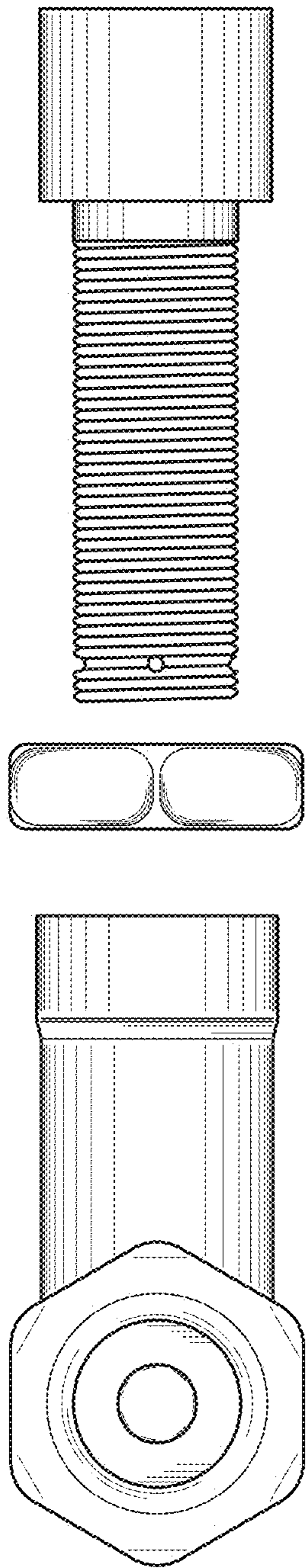


FIG. 9

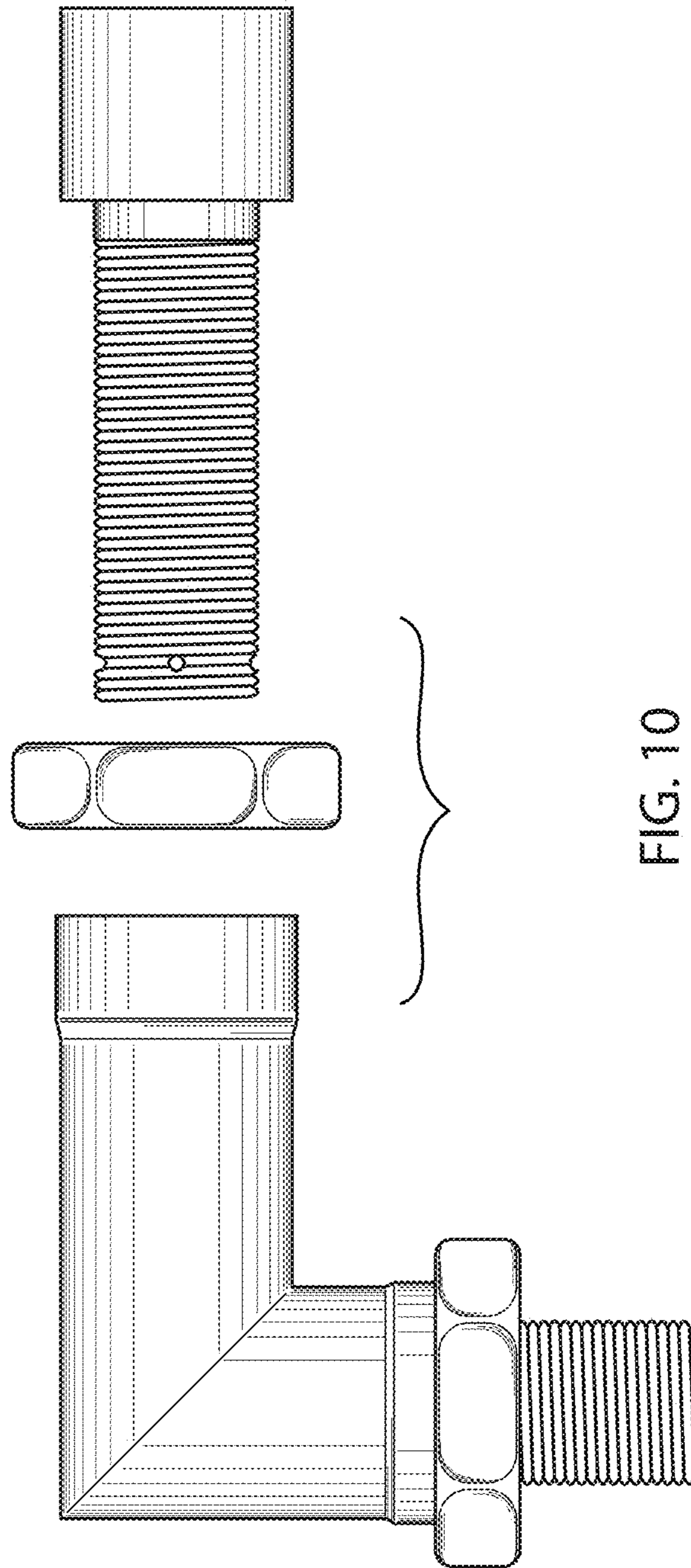


FIG. 10



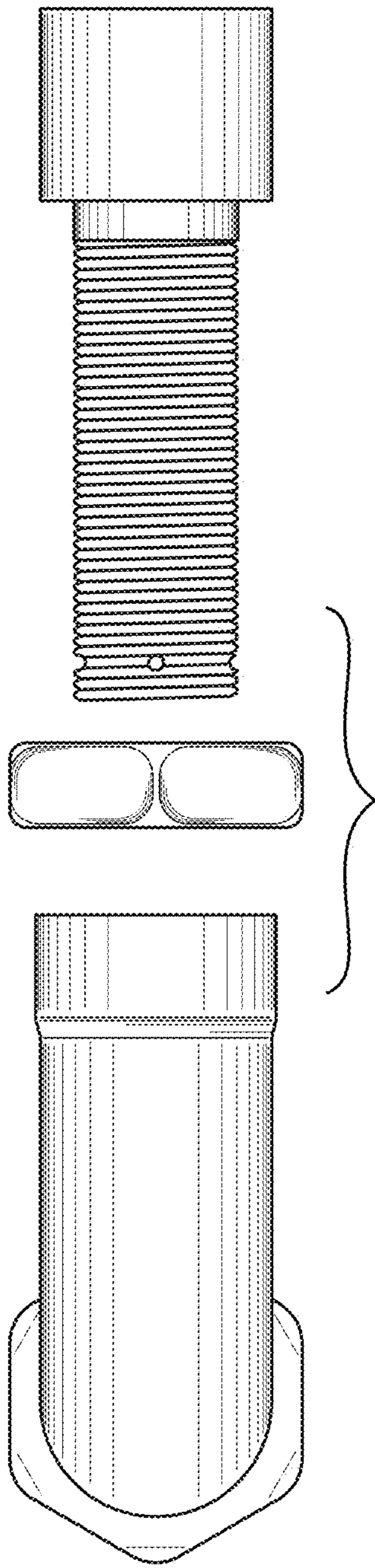


FIG. 11

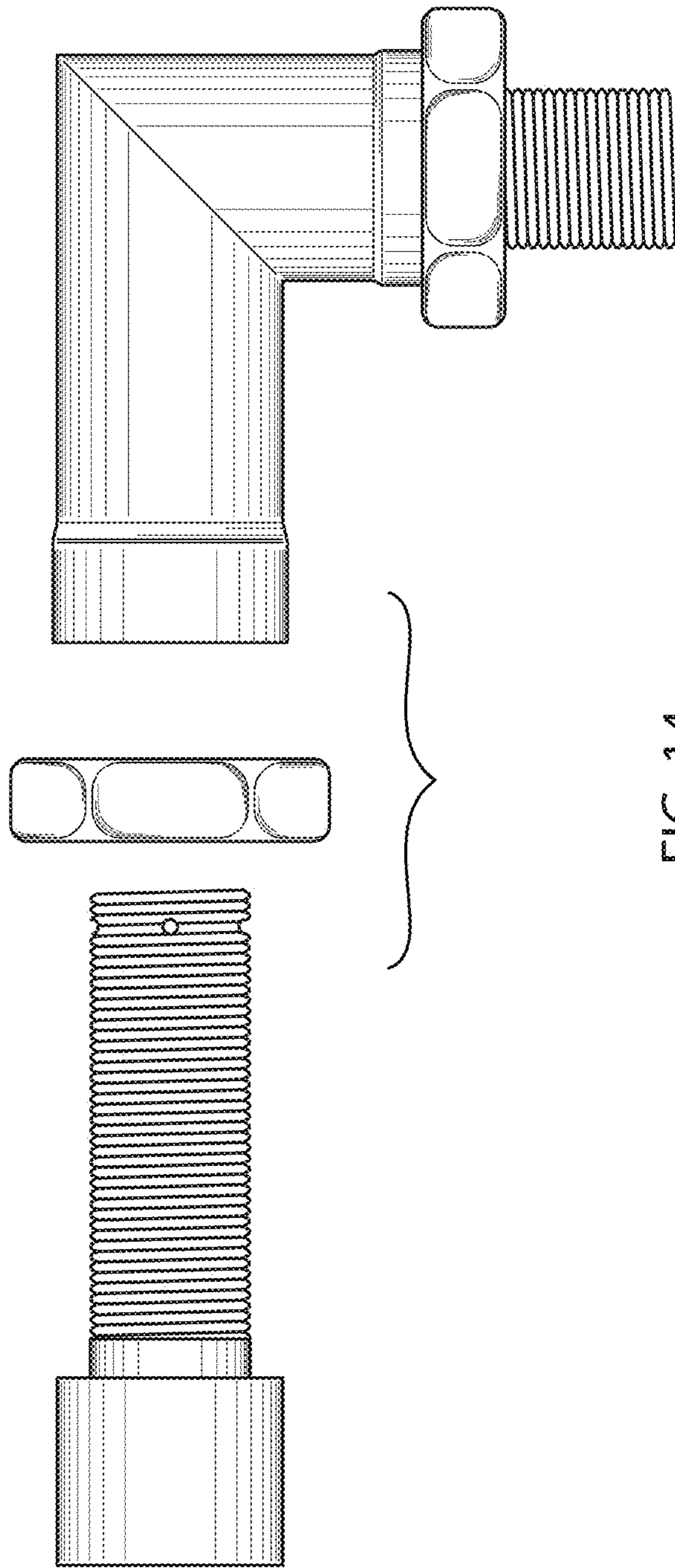


FIG. 14

