



US00D902252S

(12) **United States Design Patent** (10) **Patent No.:** **US D902,252 S**
Joshi et al. (45) **Date of Patent:** **** Nov. 17, 2020**

(54) **MODULAR CAM SHAFT**

(71) Applicant: **Transportation IP Holdings, LLC**,
Norwalk, CT (US)
(72) Inventors: **Samir Vikas Joshi**, Bangalore (IN);
Sandeep Kanzal Venkatesha,
Bangalore (IN); **Sandeep Namadev**
Kamble, Bangalore (IN); **John Patrick**
Dowell, Grove City, PA (US)
(73) Assignee: **Transportation IP Holdings, LLP**,
Norwalk, CT (US)

(**) Term: **15 Years**

(21) Appl. No.: **29/649,945**

(22) Filed: **Jun. 4, 2018**

(51) **LOC (12) Cl.** **15-01**

(52) **U.S. Cl.**
USPC **D15/5**

(58) **Field of Classification Search**
USPC D15/5, 3; D12/122–123
CPC F01L 2001/0535; F01L 2001/0473
See application file for complete search history.

(56) **References Cited**

U.S. PATENT DOCUMENTS

2,107,747	A *	2/1938	Campbell	F01L 1/047 74/567
3,877,259	A *	4/1975	Bishop	F16D 3/76 464/37
4,470,384	A *	9/1984	Umemura	F02P 7/10 123/146.5 A
4,638,683	A *	1/1987	Ogawa	F01L 1/047 74/54
4,688,441	A *	8/1987	Yasukawa	F16H 55/18 74/409
4,798,178	A *	1/1989	Greulich	F16H 53/025 123/90.6
4,829,951	A *	5/1989	Hafele	F02M 59/102 123/495
5,778,841	A *	7/1998	Reedy	F01L 1/053 123/90.34

(Continued)

OTHER PUBLICATIONS

Found on Velocity Factor [online], [site visited Apr. 2, 2020].
Available from internet, URL: <https://www.velocityfactor.net/
cosworth-mitsubishi-evoix-4g63-mivec-camshaft-m3/> (Year:2020)
(Year: 2020).*

(Continued)

Primary Examiner — Sheryl Lane
Assistant Examiner — Mark T Phillips
(74) *Attorney, Agent, or Firm* — McCoy Russell LLP

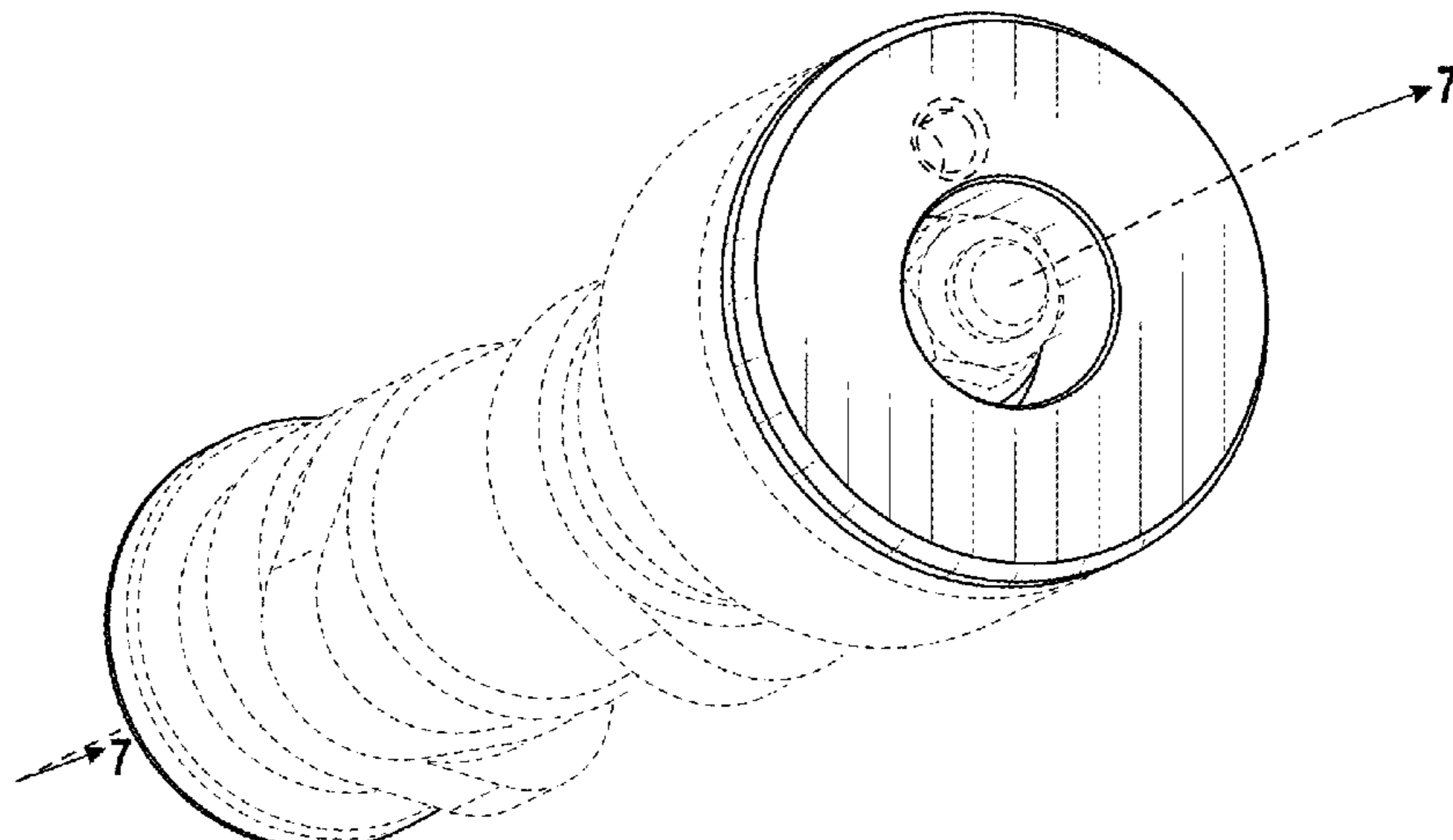
(57) **CLAIM**

The ornamental design for a modular cam shaft, as shown
and described.

DESCRIPTION

FIG. 1 is a perspective view of a modular cam shaft
according to the invention;
FIG. 2 is a second perspective view thereof;
FIG. 3 is a left view thereof;
FIG. 4 is a right view thereof;
FIG. 5 is a top view thereof;
FIG. 6 is a bottom view thereof; and,
FIG. 7 is a cross-sectional view taken along section lines set
forth in FIG. 1 thereof.
The broken line portion of the figures is included to show
unclaimed subject matter only and forms no part of the
claimed design. The “dash-dot-dash” broken line portion of
FIG. 7 is included as a boundary line to differentiate portions
of the design that are claimed from those are not claimed
when the boundary itself does not exist in the reality of the
article embodying the design and forms no part of the
claimed design.

1 Claim, 4 Drawing Sheets



(56)

References Cited

U.S. PATENT DOCUMENTS

6,302,073 B1 * 10/2001 Heer F01L 1/34
123/90.15
6,473,964 B1 * 11/2002 Anderson B22F 7/062
29/447
6,591,713 B2 * 7/2003 Jesel F01L 1/047
123/90.6
6,725,818 B2 * 4/2004 Methley F01L 1/047
123/90.16
7,241,263 B2 * 7/2007 Boulais A61B 1/00128
403/164
7,284,517 B2 * 10/2007 Lancefield F01L 1/022
123/90.15
7,341,032 B1 * 3/2008 Del Santo F01L 1/04
123/90.18
8,225,762 B2 * 7/2012 Lancefield F01L 1/047
123/90.17
10,024,206 B2 * 7/2018 Boyle F01L 13/0036
10,047,639 B2 * 8/2018 Sato F01L 1/047
10,060,304 B2 * 8/2018 Meusel F01L 1/047
10,132,210 B1 * 11/2018 Mossberg F01L 1/352
10,337,364 B2 * 7/2019 Kim F01L 1/344
10,393,241 B2 * 8/2019 Kunz F01L 1/047
10,480,356 B2 * 11/2019 Sung F16D 1/06
10,494,961 B2 * 12/2019 Wigsten F01L 1/3442
2008/0289592 A1 * 11/2008 Flender F01L 1/047
123/90.6
2010/0288217 A1 * 11/2010 Stolk F01L 1/047
123/90.17
2013/0306014 A1 * 11/2013 Stolk F01L 13/0036
123/90.18

2015/0204219 A1 * 7/2015 Takagi F01L 13/0036
123/90.18
2016/0237863 A1 * 8/2016 Ceur F01L 13/00
2019/0112950 A1 * 4/2019 Nitz F01L 1/08
2019/0323387 A1 * 10/2019 Gramkow F16H 53/04

OTHER PUBLICATIONS

Found on kustom1warehouse [online], [site visited Apr. 2, 2020]. Available from internet, URL: <Found on Velocity Factor [online], [site visited Apr. 2, 2020]. Available from internet, URL: <<https://www.velocityfactor.net/cosworth-mitsubishi-evoix-4g63-mivec-camshaft-m3/>> (Year:2020) (Year: 2020).*

Found on Kleemann [online], [site visited Apr. 2, 2020]. Available from internet, URL:<<https://catalog.kleemann.dk/catalog/byengine/32-amg320-v6-m112k/super-sport-camshaft-kit-112/>> (Year 2020) (Year: 2020).*

Found on Velocity Factor [online], Mivec Camshaft, [site visited Apr. 2, 2020]. Available from internet, URL: <<https://www.velocityfactor.net/cosworth-mitsubishi-evoix-4g63-mivec-camshaft-m3/>> (Year:2020) (Year: 2020).*

Found on kustom1warehouse [online], W100 Engle high performance camshafts for VW, [site visited Apr. 2, 2020]. Available from internet, URL: <www.kustom1warehouse.net/Engle_W100_cam_for_VW_Volkswagen_p/englew100.htm> (Year:2020) (Year: 2020).*

Found on Kleemann [online], Super Sport Camshaft Kit, [site visited Apr. 2, 2020]. Available from internet, URL:<<https://catalog.kleemann.dk/catalog/byengine/32-amg320-v6-m112k/super-sport-camshaft-kit-112/>> (Year 2020) (Year: 2020).*

* cited by examiner

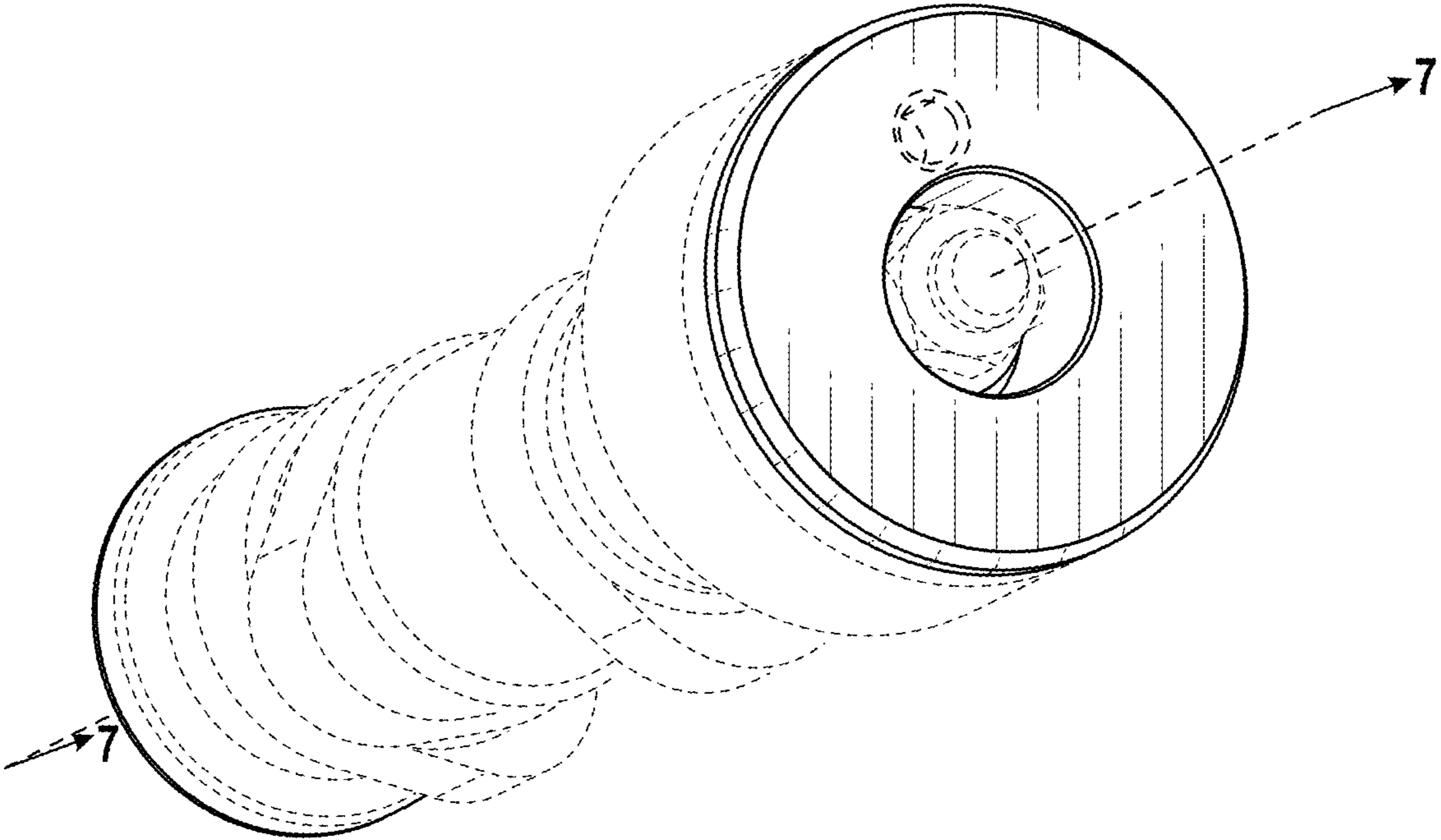


FIG. 1

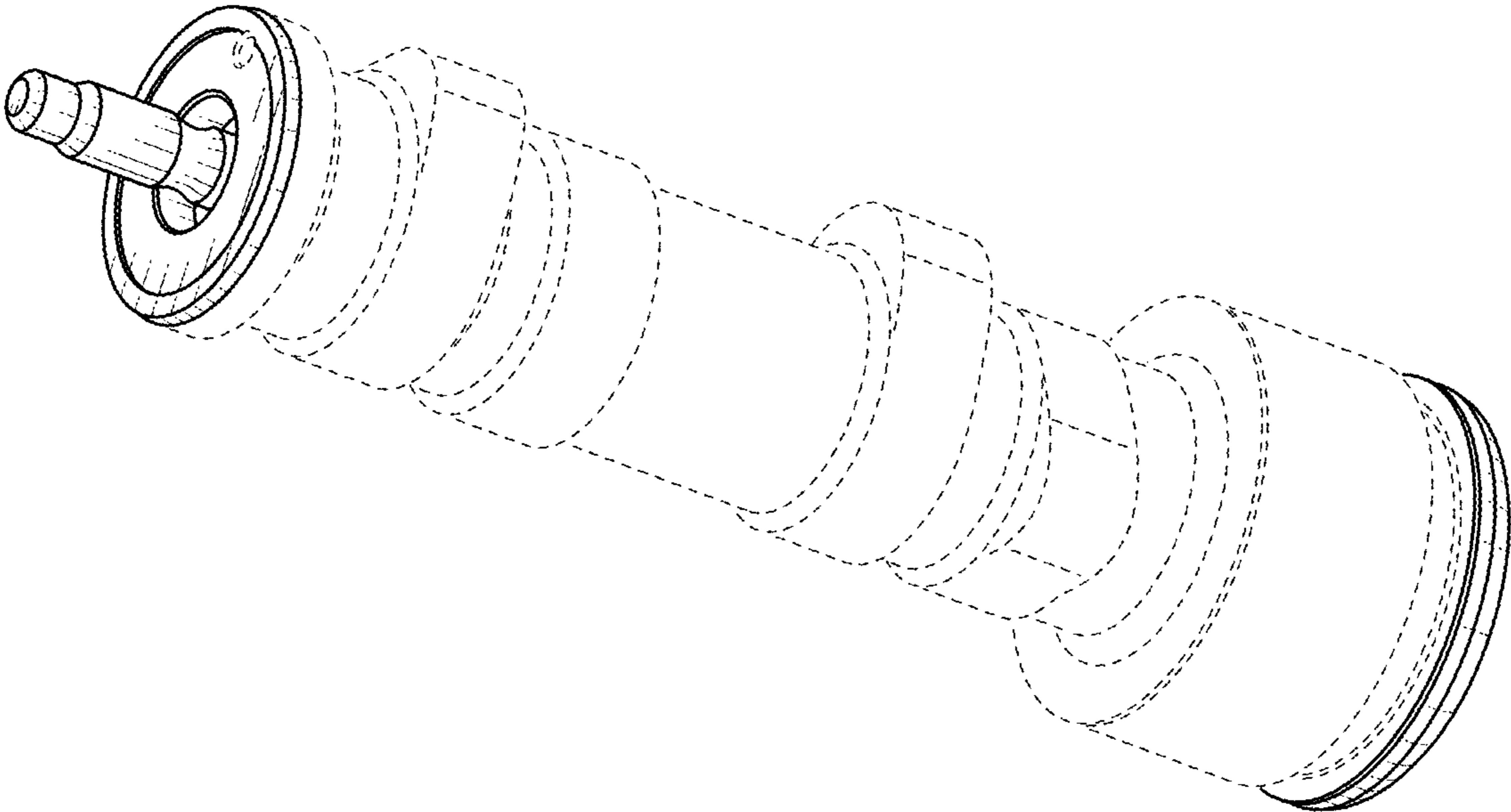


FIG. 2

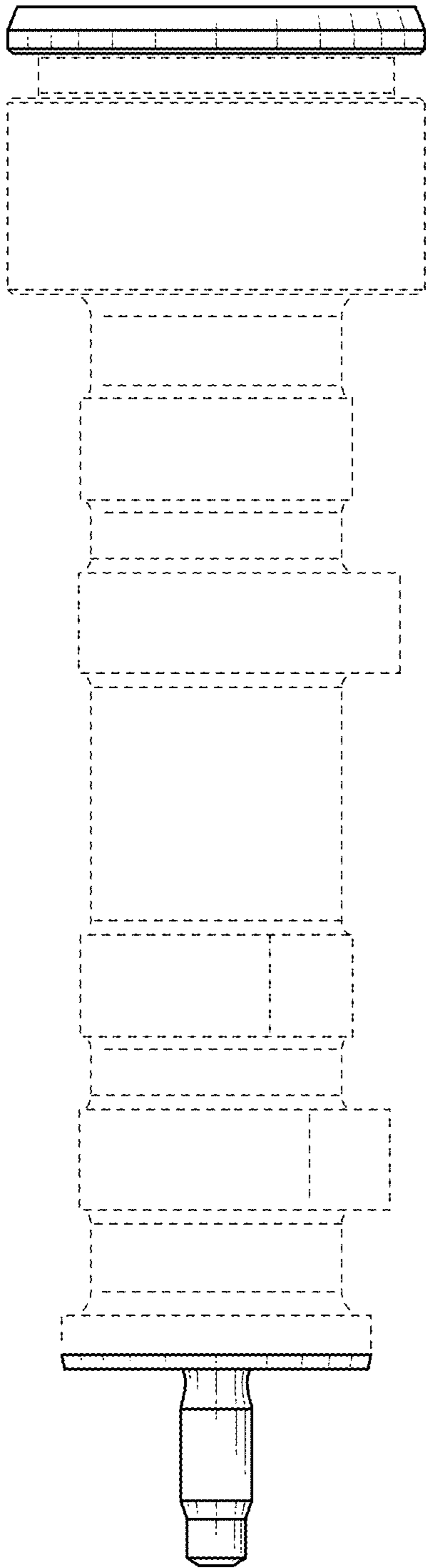


FIG. 3

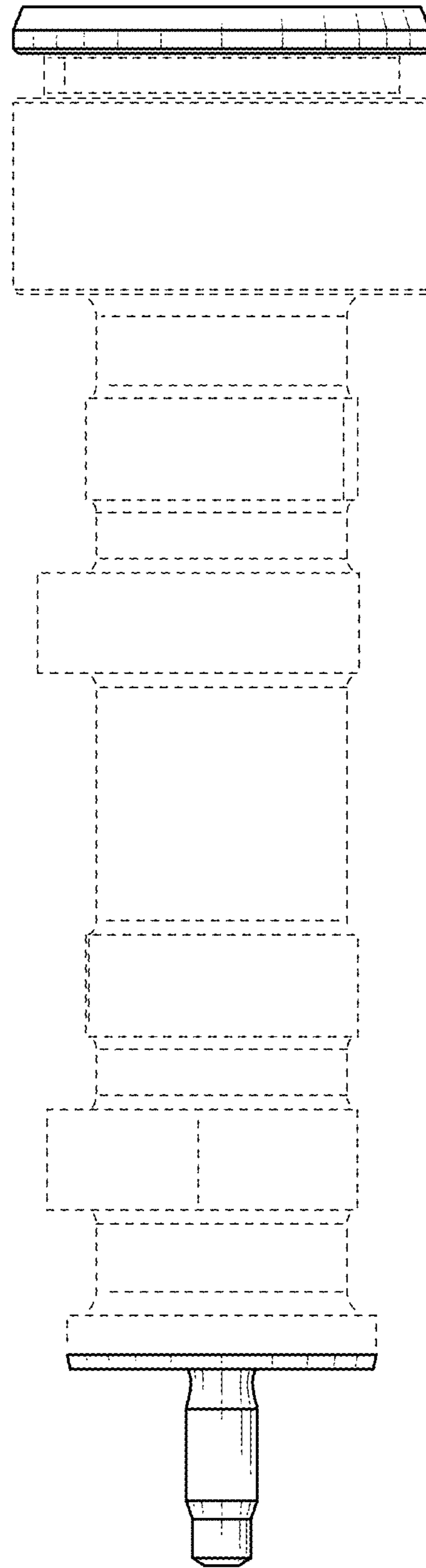


FIG. 4

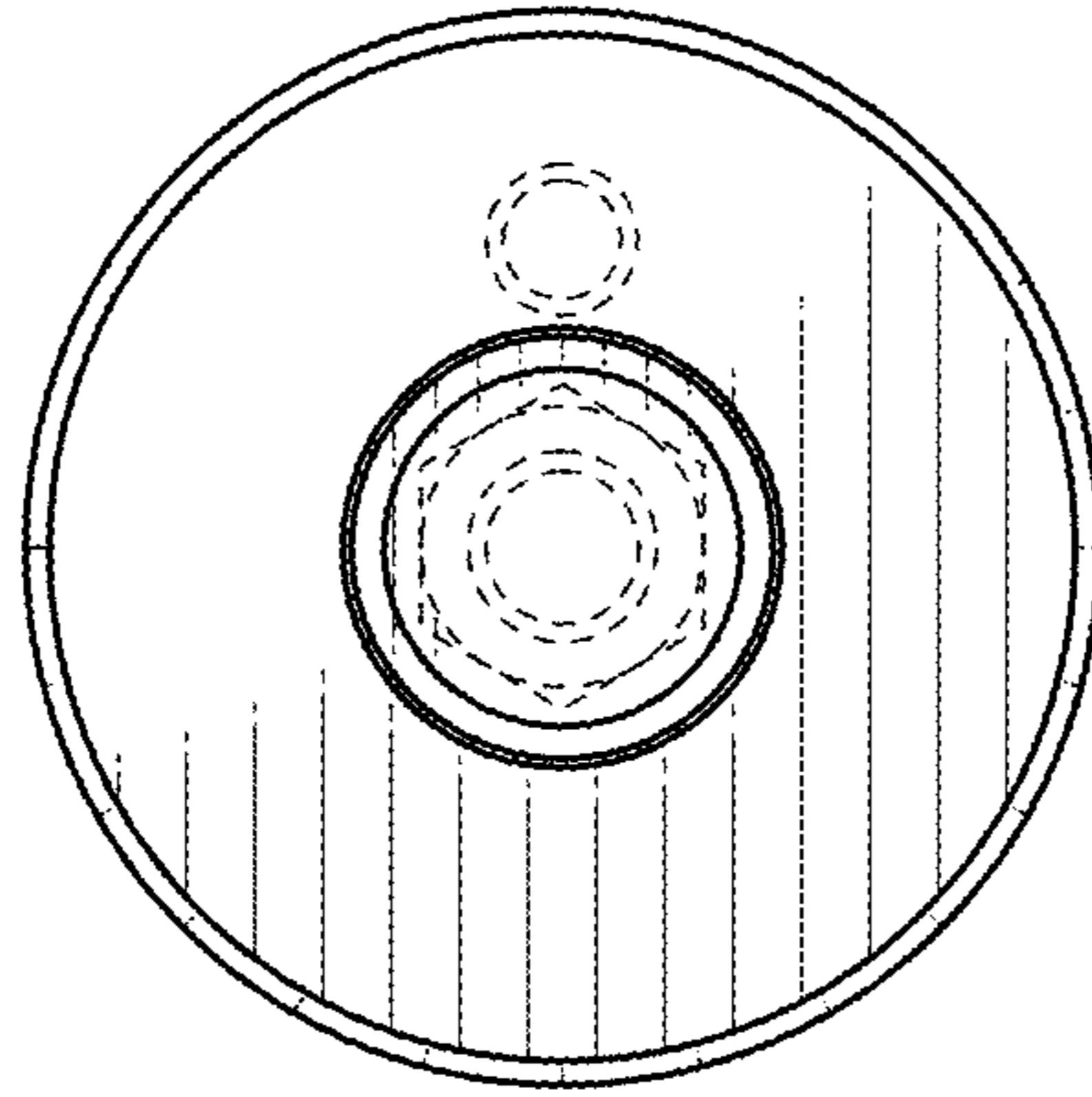


FIG. 5

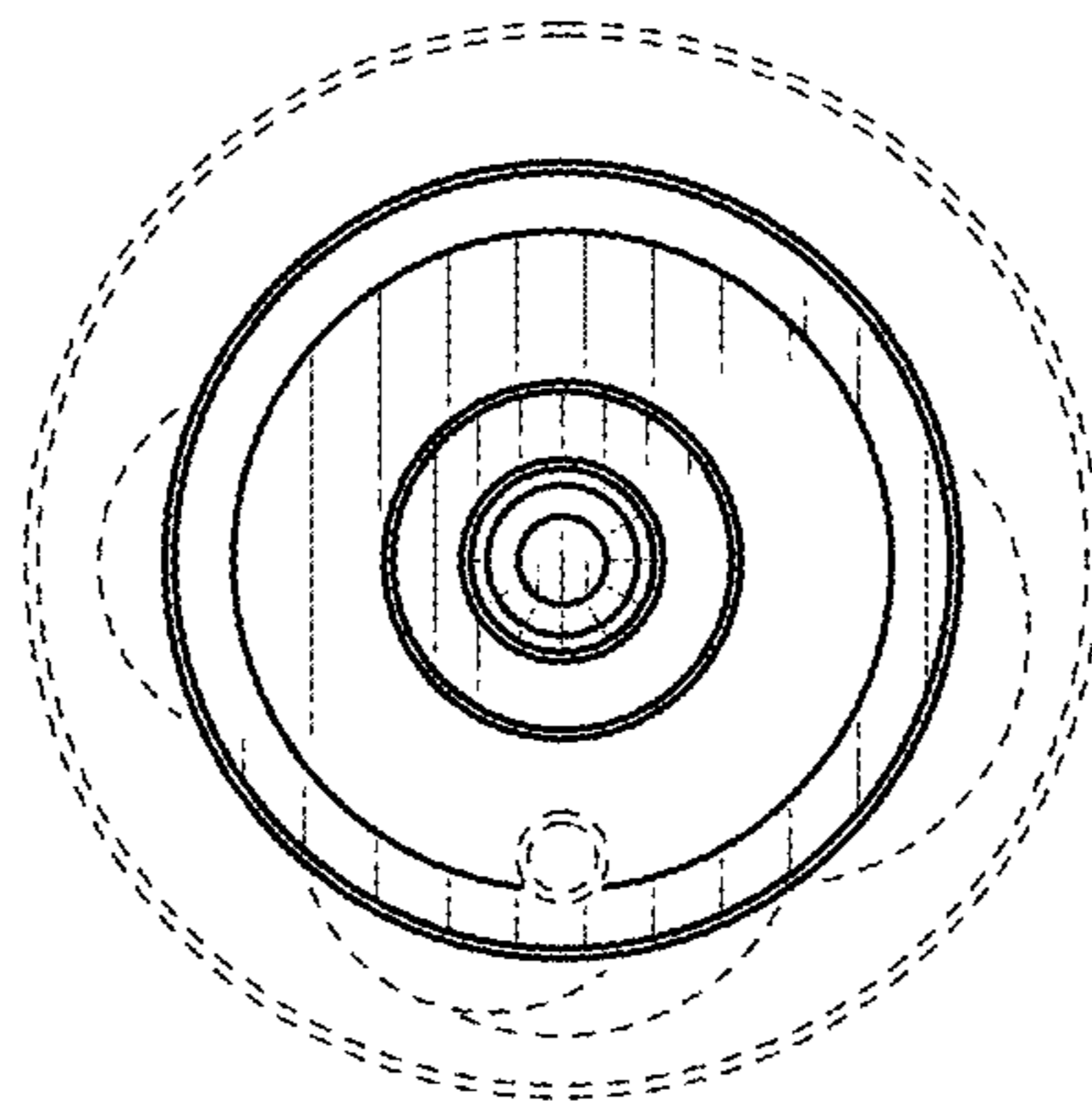


FIG. 6

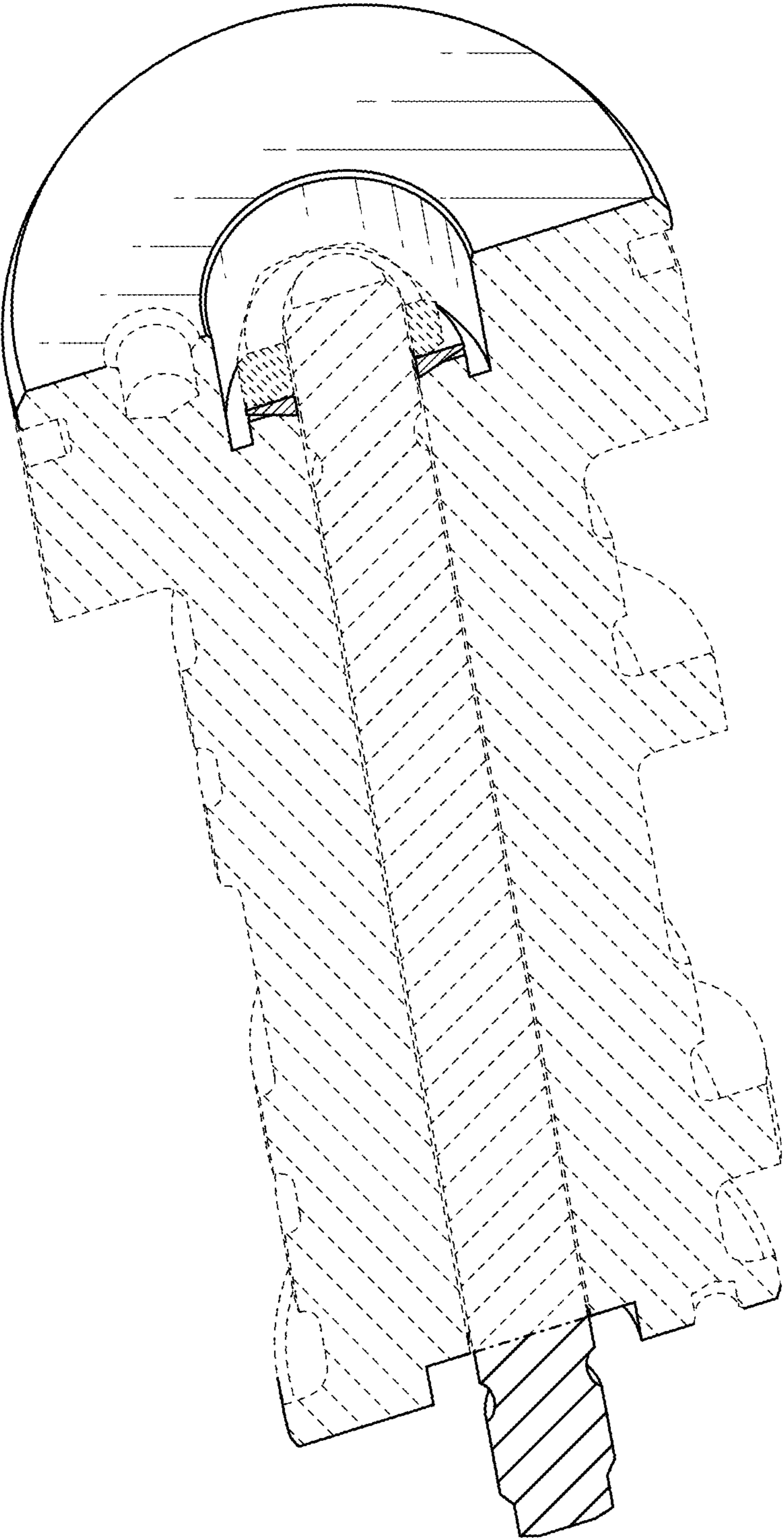


FIG. 7