



US00D902217S

(12) **United States Design Patent**
Zhang et al.

(10) **Patent No.:** **US D902,217 S**

(45) **Date of Patent:** **** Nov. 17, 2020**

(54) **PHONE AND TABLET HOLDER**

(71) Applicant: **UGREEN GROUP LIMITED**,
Shenzhen (CN)

(72) Inventors: **Qingsen Zhang**, Shenzhen (CN);
Junling Chen, Shenzhen (CN); **Jirun Zhou**, Shenzhen (CN)

(**) Term: **15 Years**

(21) Appl. No.: **29/700,758**

(22) Filed: **Aug. 5, 2019**

(51) **LOC (12) Cl.** **08-07**

(52) **U.S. Cl.**
USPC **D14/447**; D14/253

(58) **Field of Classification Search**
USPC D14/447, 432, 434, 439, 440, 451, 452,
D14/457, 239, 253; D8/363, 373, 380;
D6/406.3, 406.4, 406.5, 406.6; D12/415
CPC A47B 21/04; A47B 2097/006; A47B
2097/005; A47B 2023/049; A45C
2011/002; A45C 2011/003; F16M
2200/00; F16M 13/00
See application file for complete search history.

(56) **References Cited**

U.S. PATENT DOCUMENTS

D640,707 S * 6/2011 Yeh D14/447
D652,045 S * 1/2012 Hong D14/447

D703,676 S * 4/2014 Smith D14/447
D714,775 S * 10/2014 Yoo D14/253
D791,861 S * 7/2017 Battle D18/4.5
D792,415 S * 7/2017 Tsai D14/447
D795,266 S * 8/2017 Williams D14/447
D839,869 S * 2/2019 Wang D14/253
D865,747 S * 11/2019 Sage D14/253
D879,090 S * 3/2020 Chung D14/253
D881,201 S * 4/2020 Lou D14/447
D884,711 S * 5/2020 Zhang D14/447

* cited by examiner

Primary Examiner — Angela J Lee

(74) *Attorney, Agent, or Firm* — ZANIP

(57) **CLAIM**

The ornamental design for a phone and tablet holder, as shown and described.

DESCRIPTION

FIG. 1 is a perspective view of a phone and tablet holder showing our new design;

FIG. 2 is a front view thereof;

FIG. 3 is a back view thereof;

FIG. 4 is a left side view thereof;

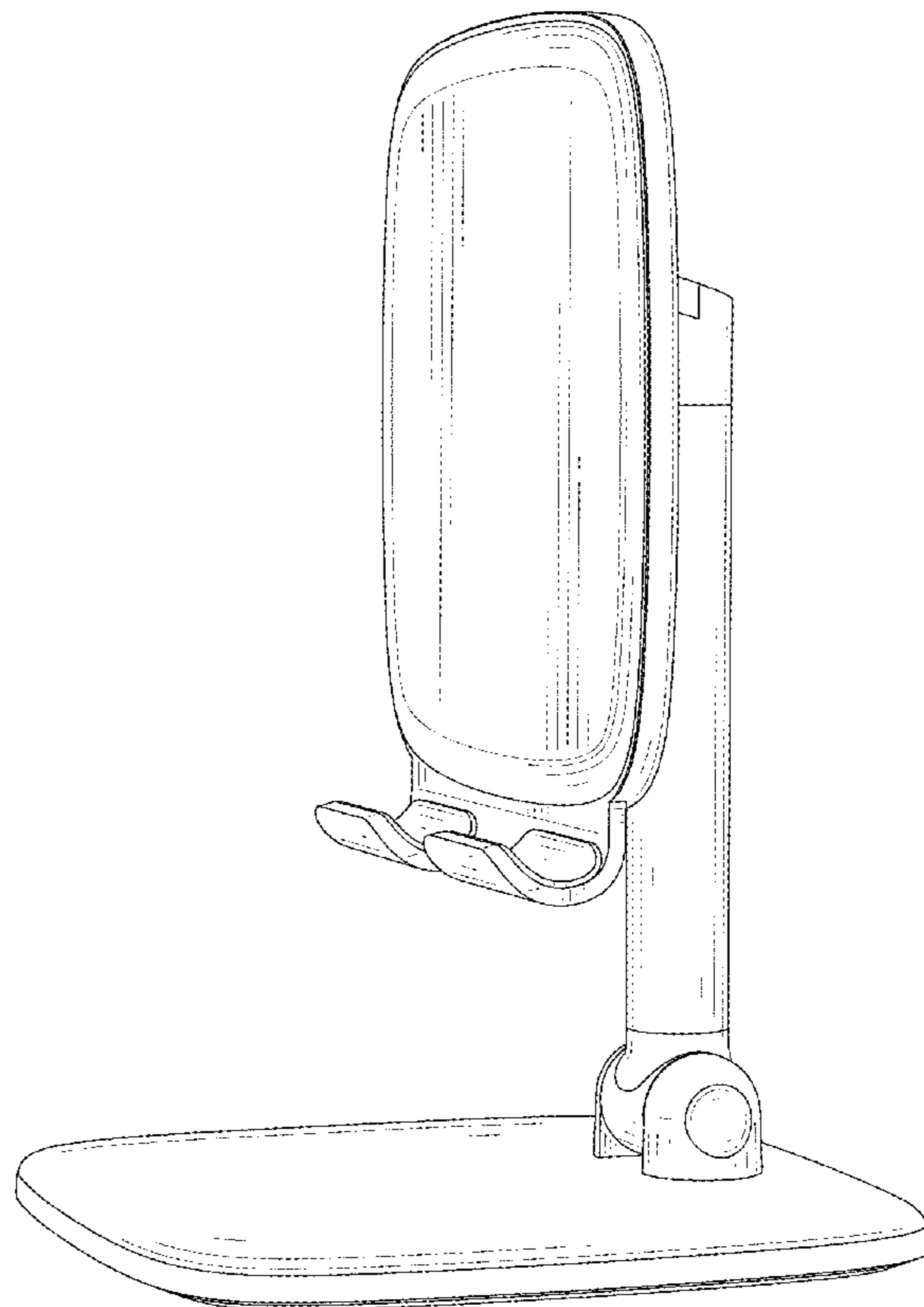
FIG. 5 is a right side view thereof;

FIG. 6 is a top view thereof; and,

FIG. 7 is a bottom view thereof.

The broken lines in the figures illustrate portions of the phone and tablet holder that form no part of the claimed design.

1 Claim, 7 Drawing Sheets



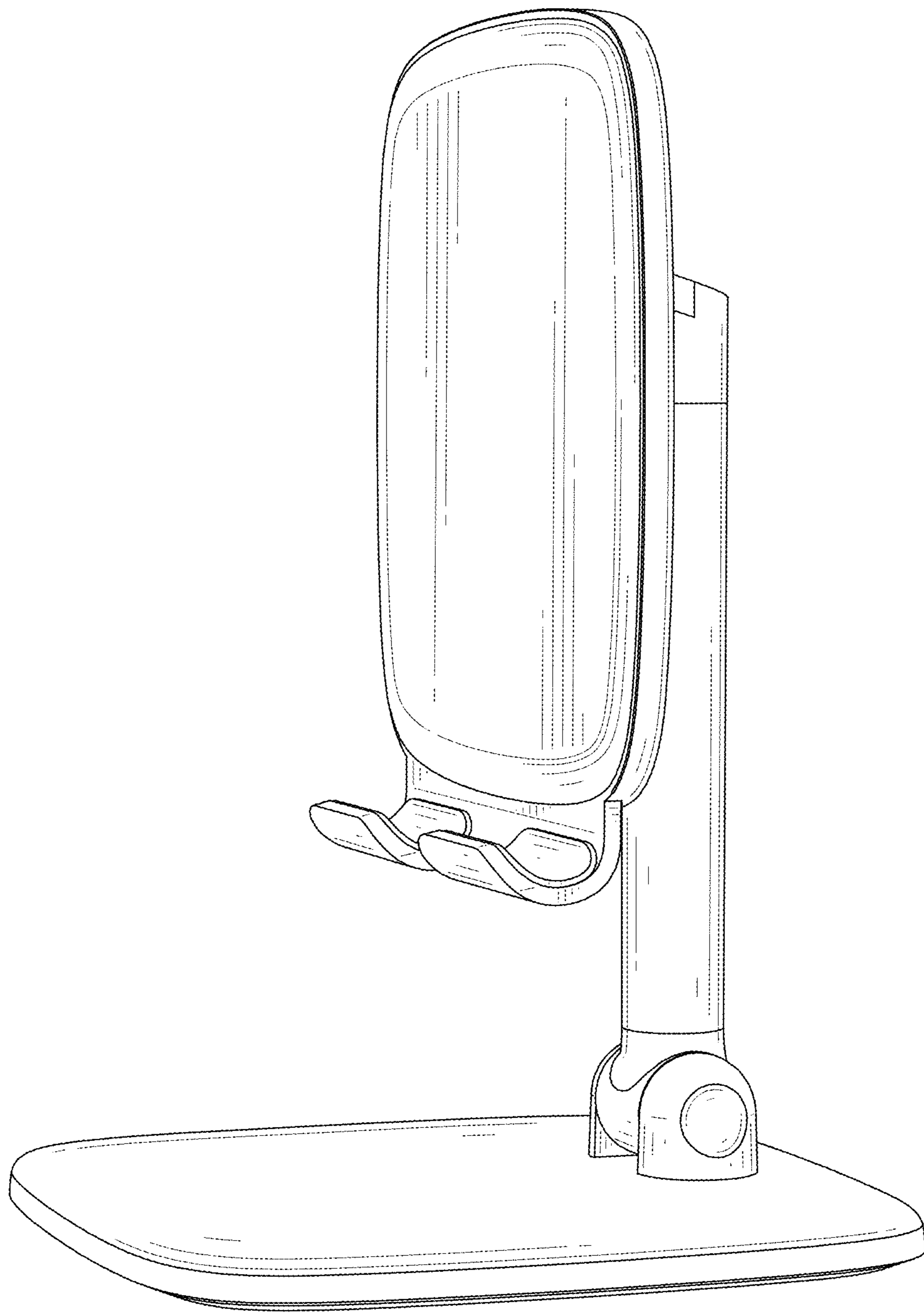


FIG. 1

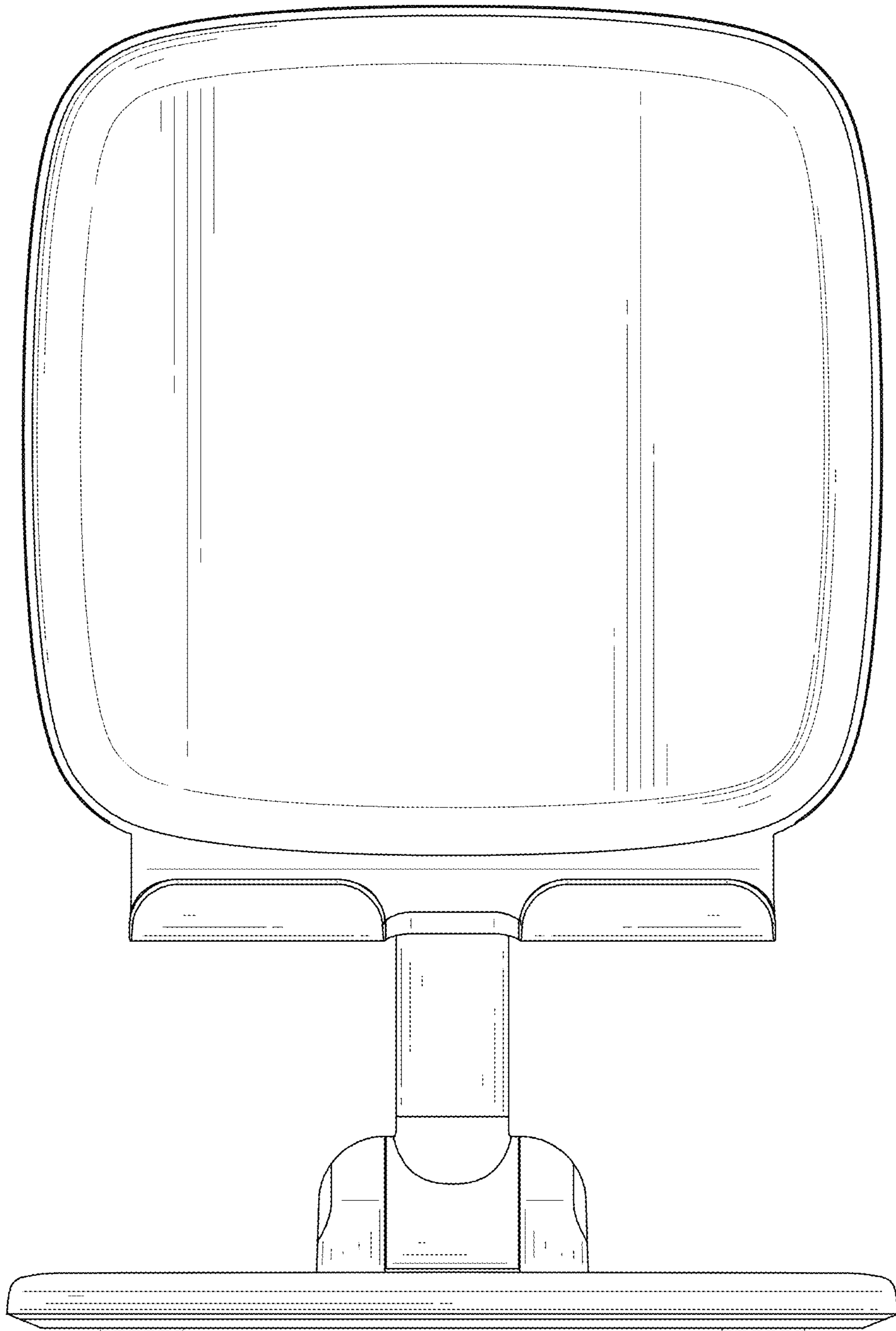


FIG. 2

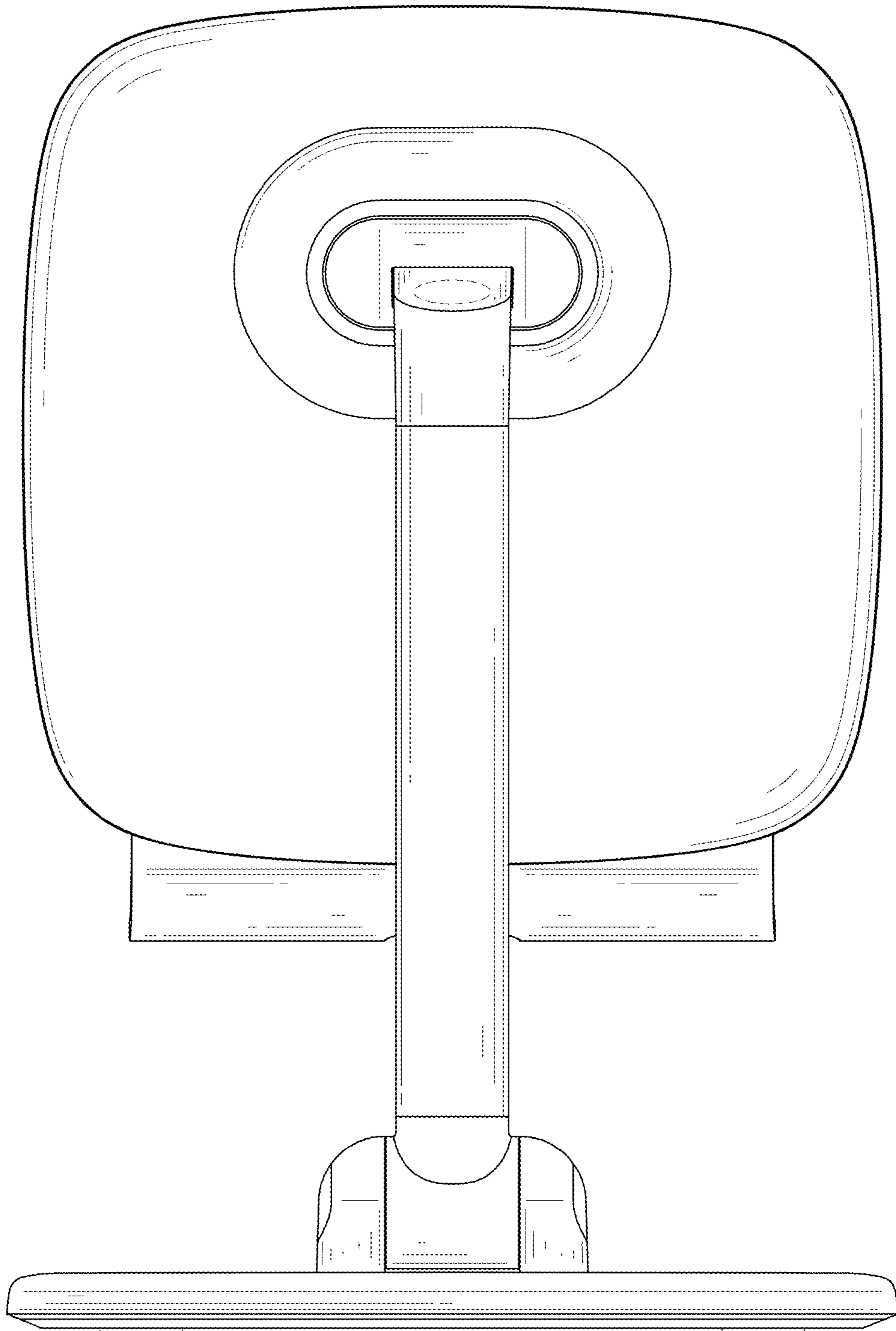


FIG. 3

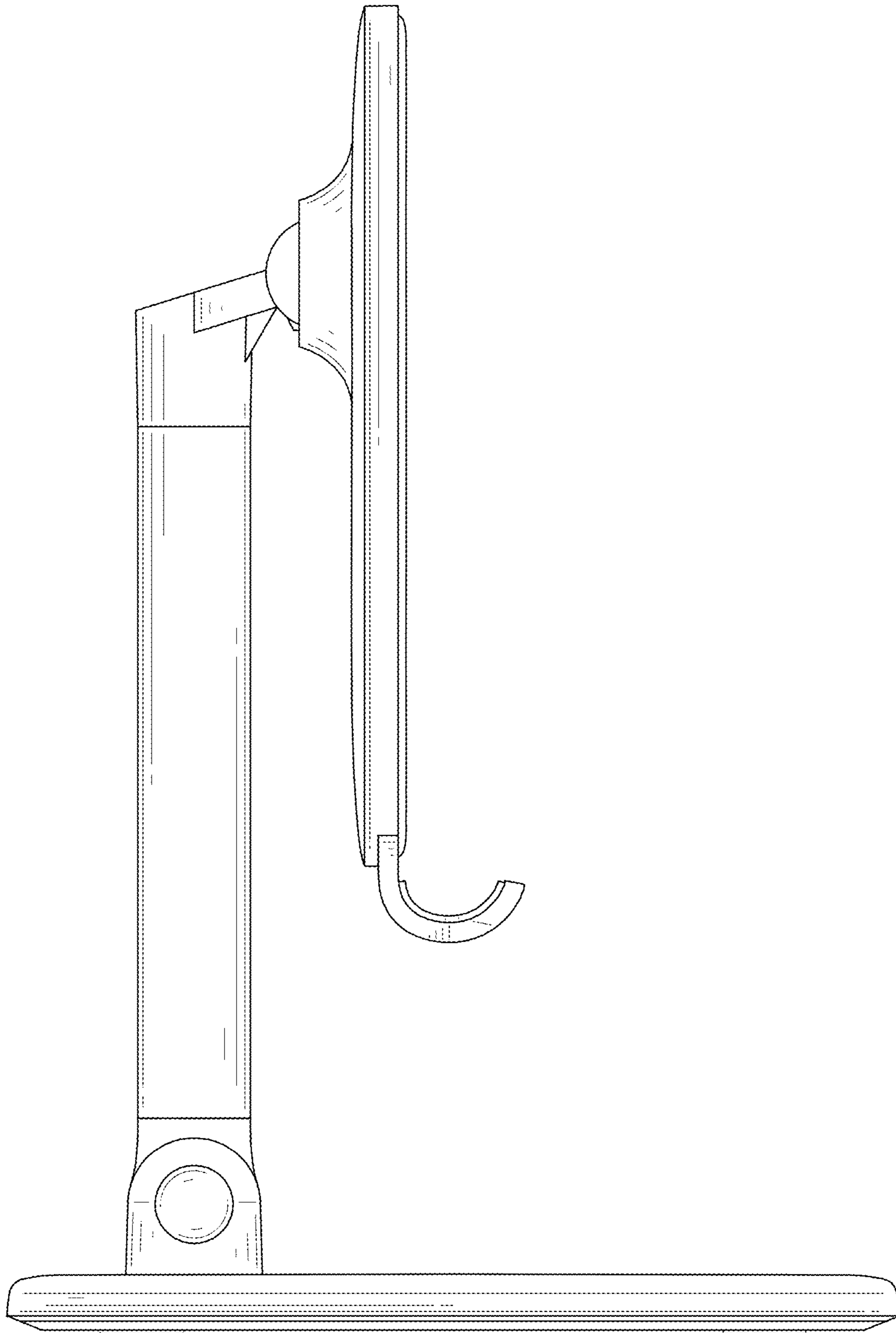


FIG. 4

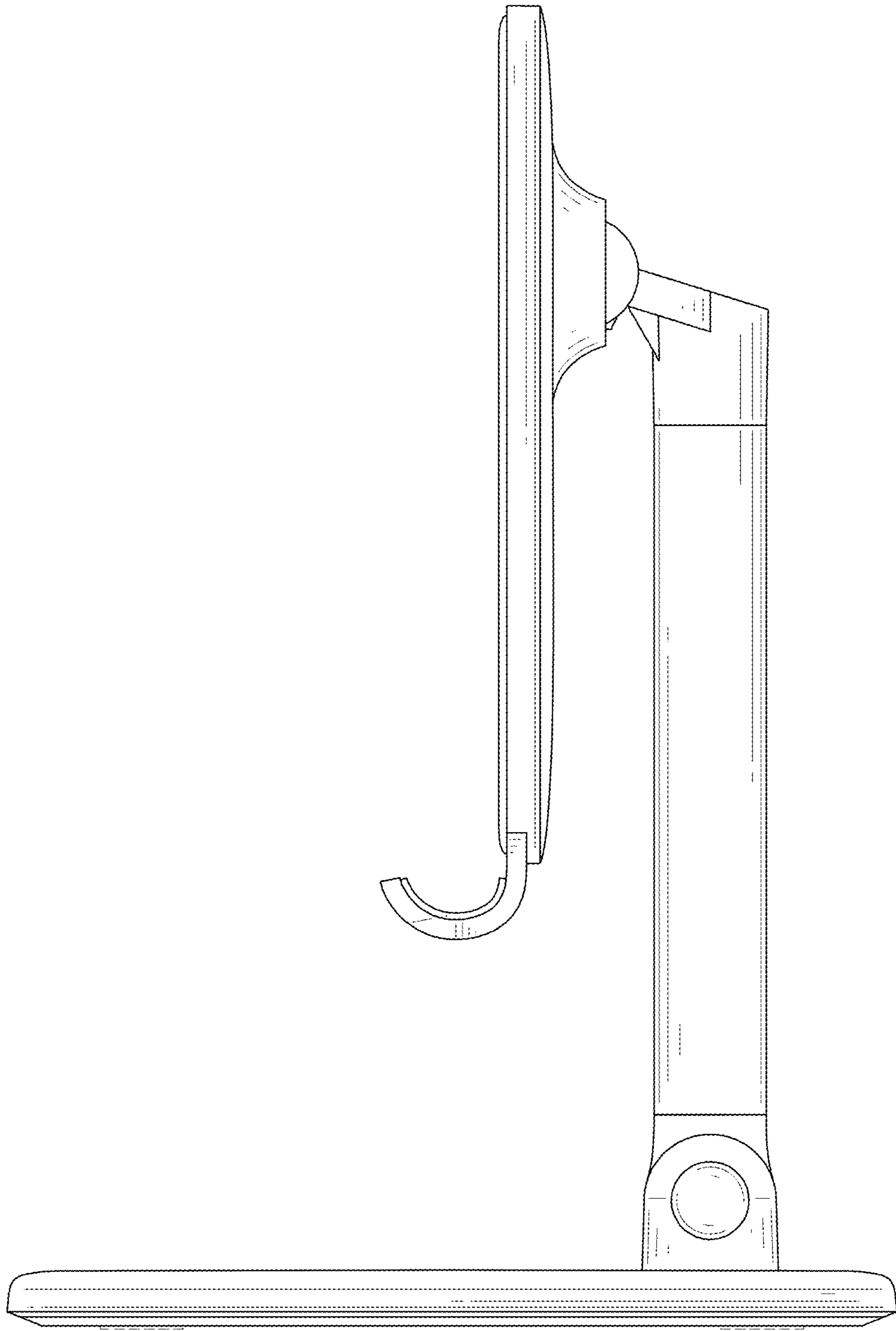


FIG. 5

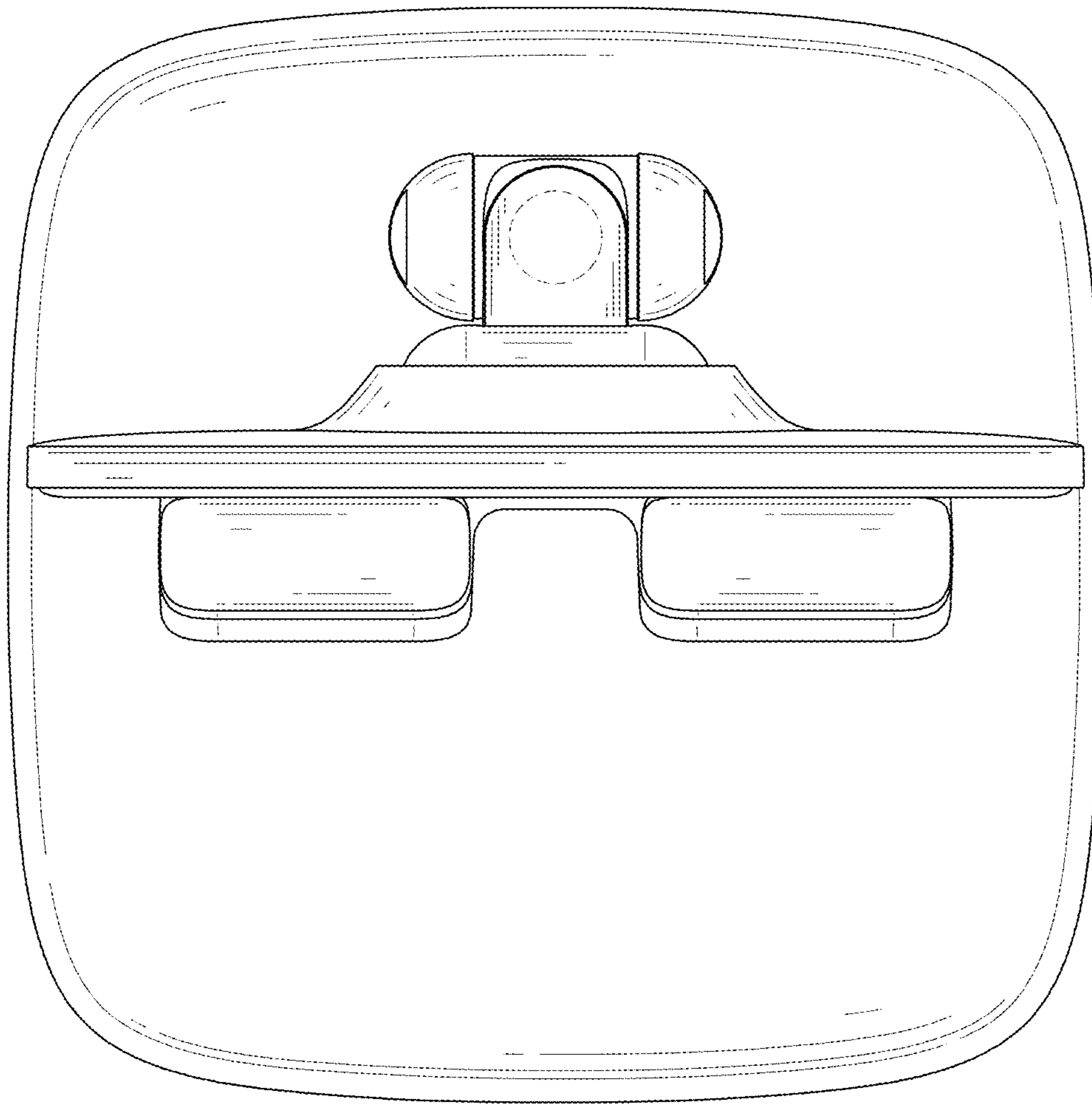


FIG. 6

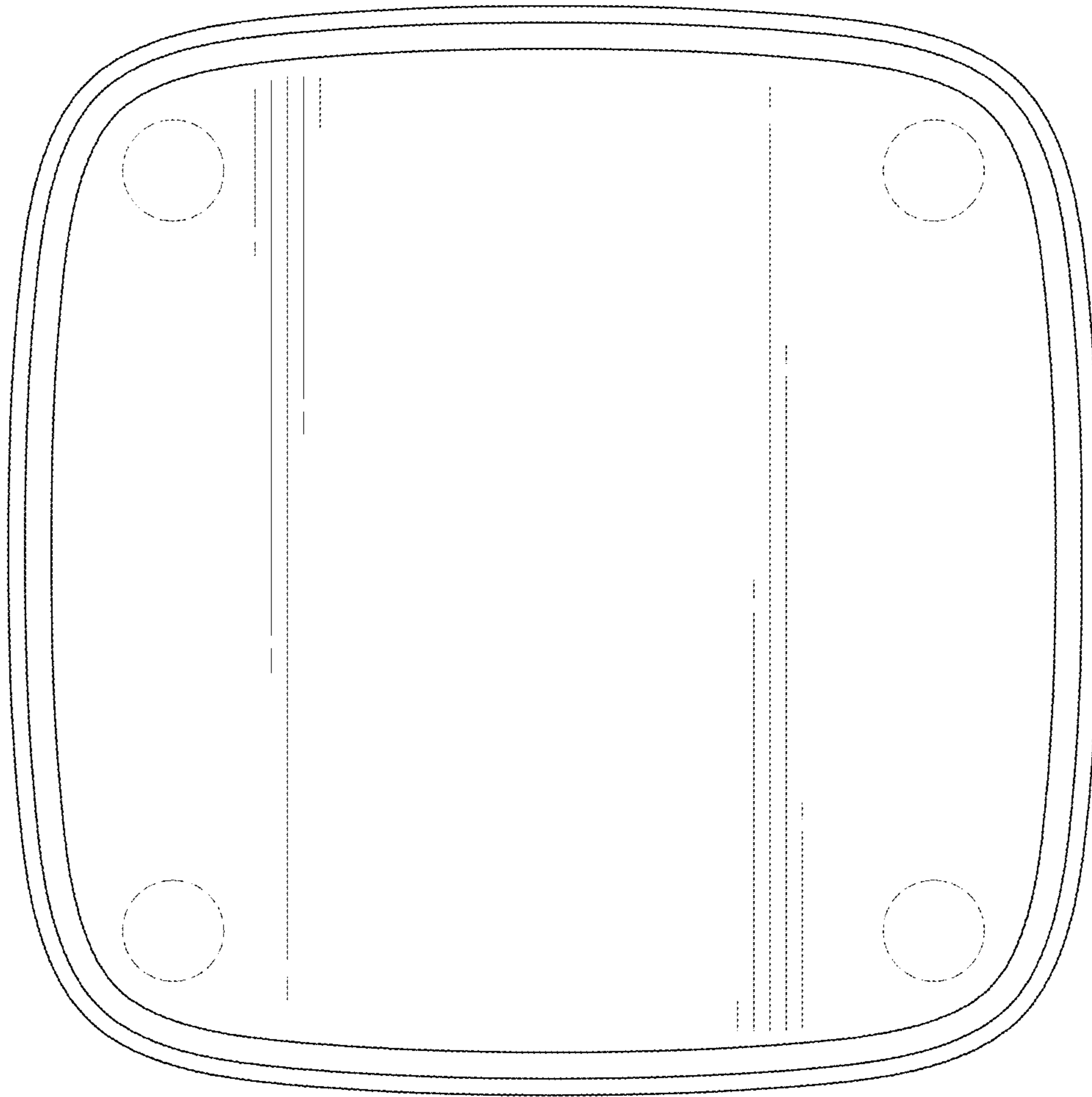


FIG. 7