



US00D902215S

(12) **United States Design Patent**  
**Quan**

(10) **Patent No.:** **US D902,215 S**

(45) **Date of Patent:** **\*\* Nov. 17, 2020**

(54) **PROTECTIVE CASE FOR LAPTOP**

(71) Applicant: **Hongfang Quan**, Guangdong (CN)

(72) Inventor: **Hongfang Quan**, Guangdong (CN)

(\*\*) Term: **15 Years**

(21) Appl. No.: **29/700,382**

(22) Filed: **Aug. 1, 2019**

(51) **LOC (12) Cl.** ..... **14-02**

(52) **U.S. Cl.**  
USPC ..... **D14/440**; D8/323

(58) **Field of Classification Search**  
USPC ..... D14/440, 447, 250; 206/45.23, 320,  
206/45.2; 361/679.55; 294/25; 224/218;  
455/575.8

CPC ... G06F 1/1628; G06F 1/1626; A47B 23/044;  
H04B 1/3888; A45C 11/00

See application file for complete search history.

(56) **References Cited**

**U.S. PATENT DOCUMENTS**

D388,250 S *	12/1997	Robinson	.....	D3/232
D591,508 S *	5/2009	Lown	.....	D3/201
D594,659 S *	6/2009	Lown	.....	D3/299
D681,951 S *	5/2013	Phillips	.....	D3/299
D696,864 S *	1/2014	Phillips	.....	D3/299
D742,385 S *	11/2015	Chaney	.....	D14/440
D752,594 S *	3/2016	Matsuoka	.....	D14/440

D761,563 S *	7/2016	Requa	.....	D3/249
D763,856 S *	8/2016	Moore	.....	D14/440
D786,257 S *	5/2017	Feldman	.....	D14/440
D801,976 S *	11/2017	Li	.....	D14/440
D812,620 S *	3/2018	Cheng	.....	D14/440
D858,987 S *	9/2019	Zhang	.....	D3/283
D868,790 S *	12/2019	Weng	.....	D14/440
D875,102 S *	2/2020	Gao	.....	D14/440
D883,295 S *	5/2020	Han	.....	D14/440

\* cited by examiner

*Primary Examiner* — Cynthia R Underwood

(57) **CLAIM**

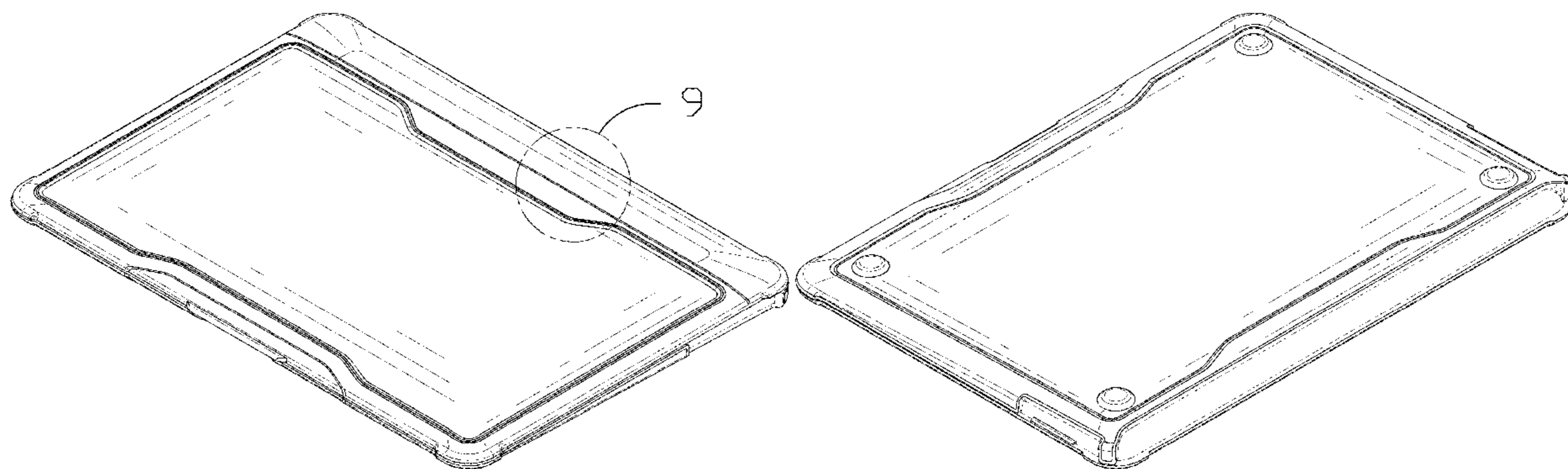
The ornamental design for a protective case for laptop, as shown and described.

**DESCRIPTION**

FIG. 1 is a front perspective view of a protective case for laptop showing my new design;  
FIG. 2 is a back perspective view thereof;  
FIG. 3 is a front view thereof;  
FIG. 4 is a back view thereof;  
FIG. 5 is a left side view thereof;  
FIG. 6 is a right side view thereof;  
FIG. 7 is a top view thereof;  
FIG. 8 is a bottom view thereof; and,  
FIG. 9 is an enlarged view of a portion of the protective case for laptop indicated in FIG. 1.

The broken lines in the figures illustrate portions of the protective case for laptop that form no part of the claimed design.

**1 Claim, 9 Drawing Sheets**



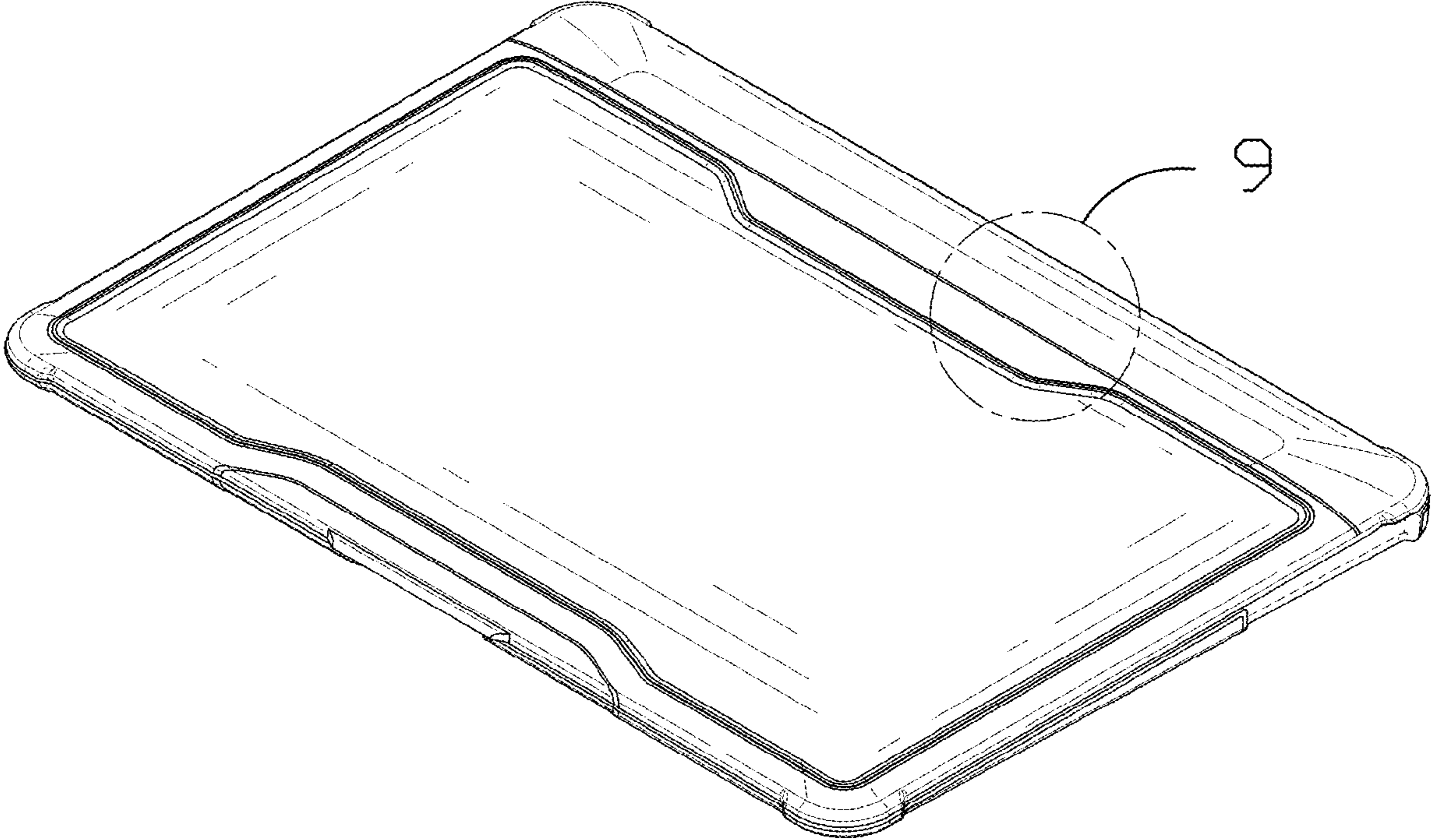


FIG. 1

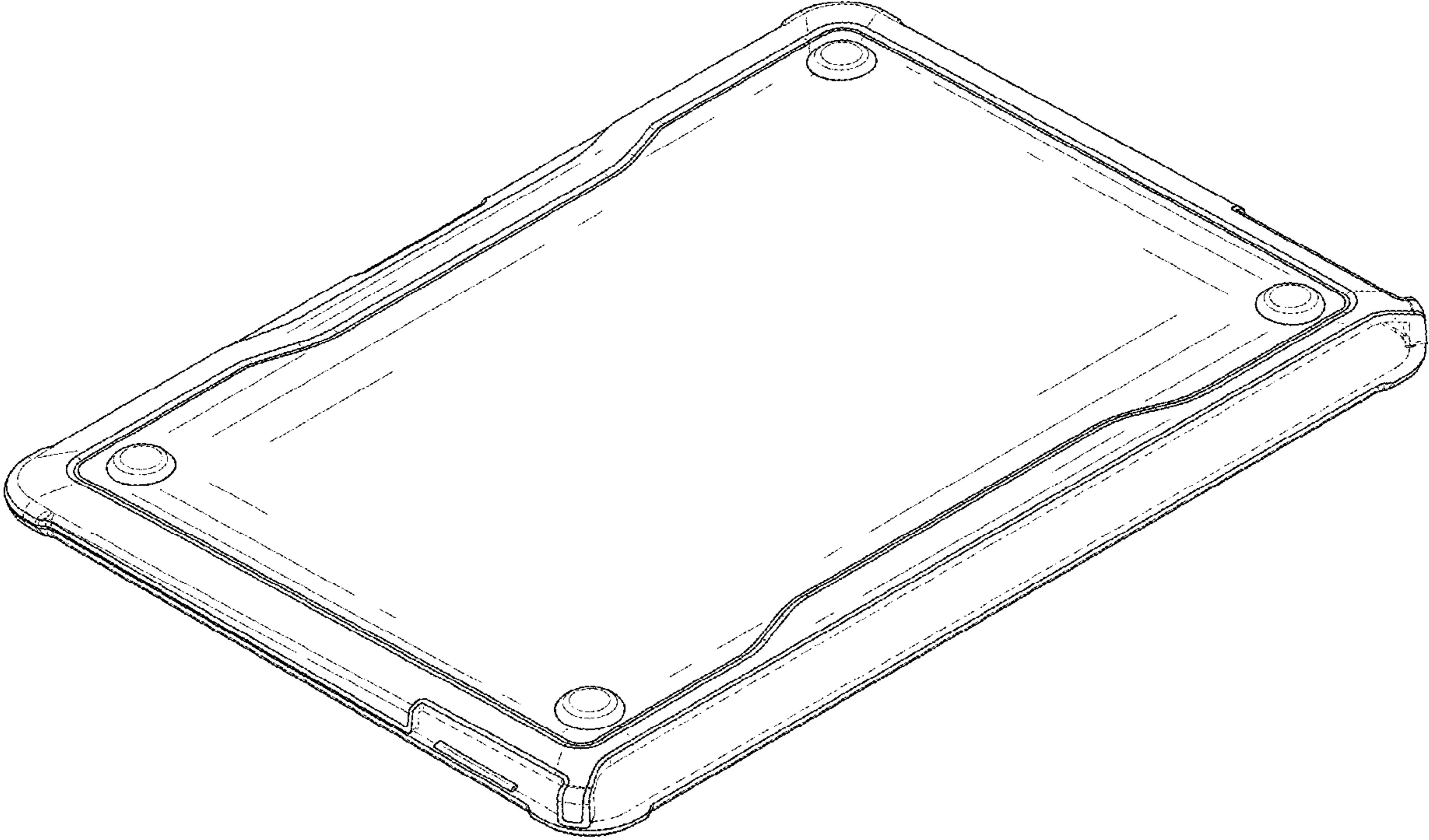


FIG. 2

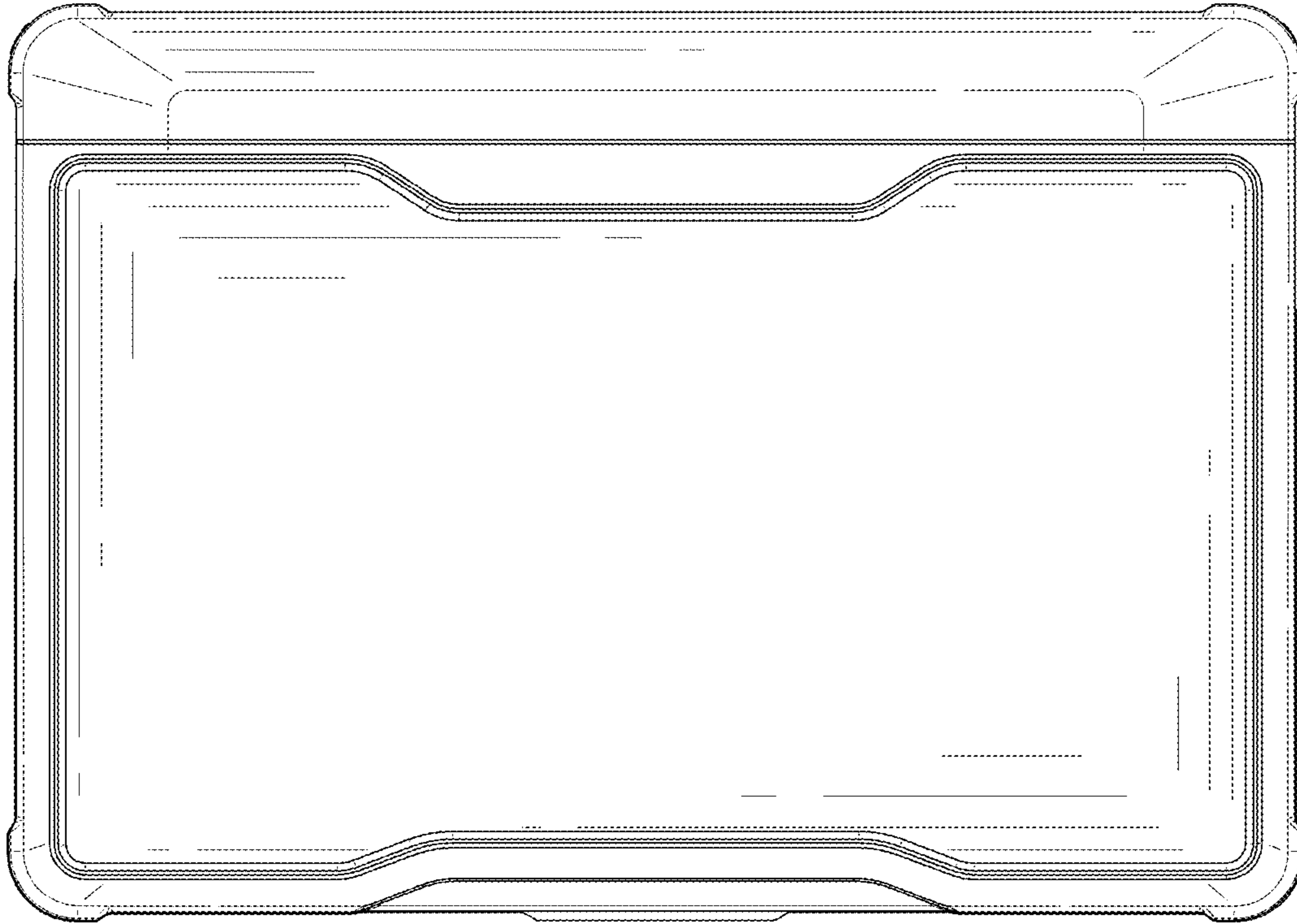


FIG. 3

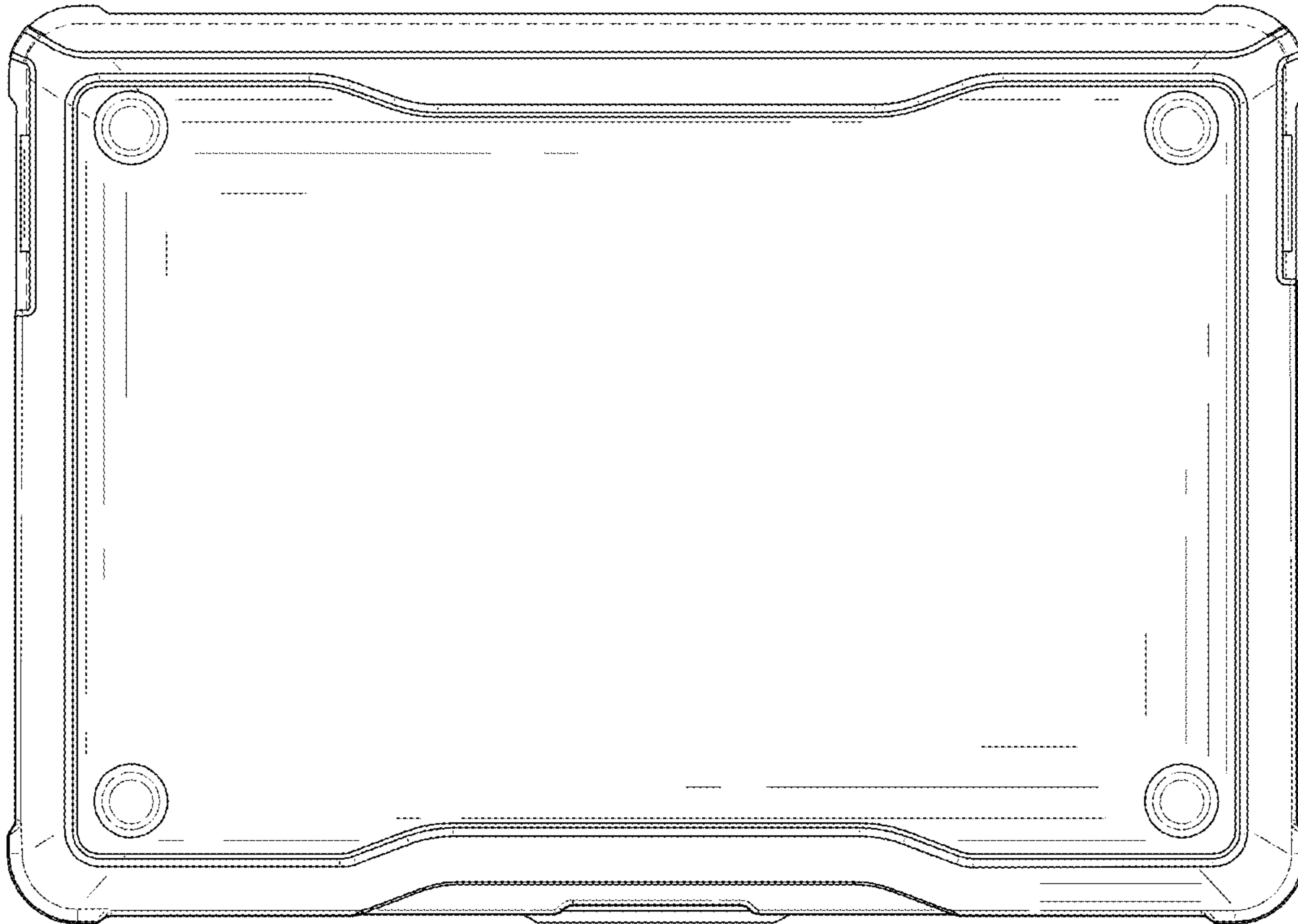


FIG. 4

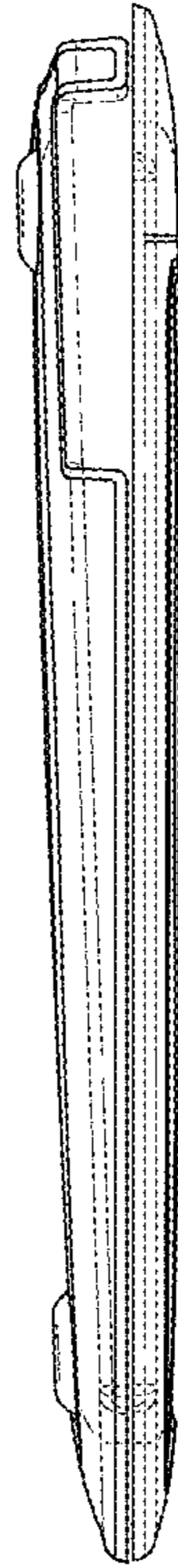


FIG. 5

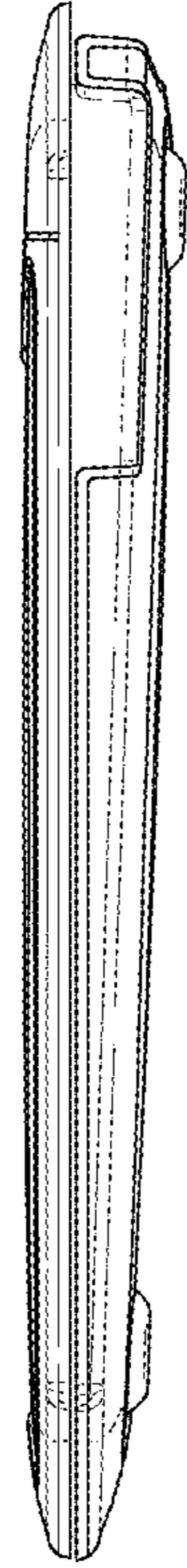


FIG. 6

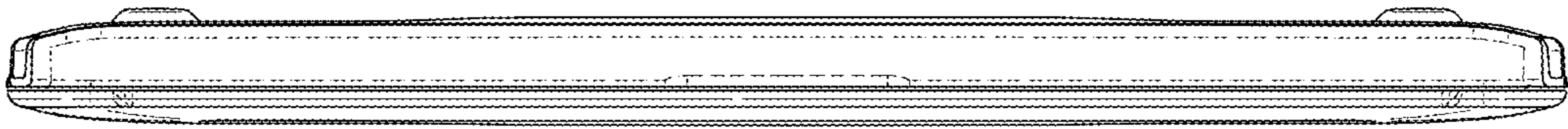


FIG. 7



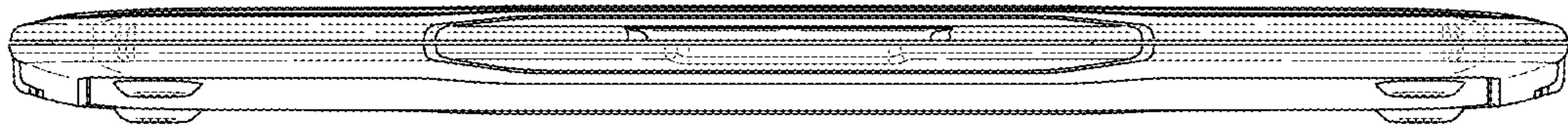


FIG. 8

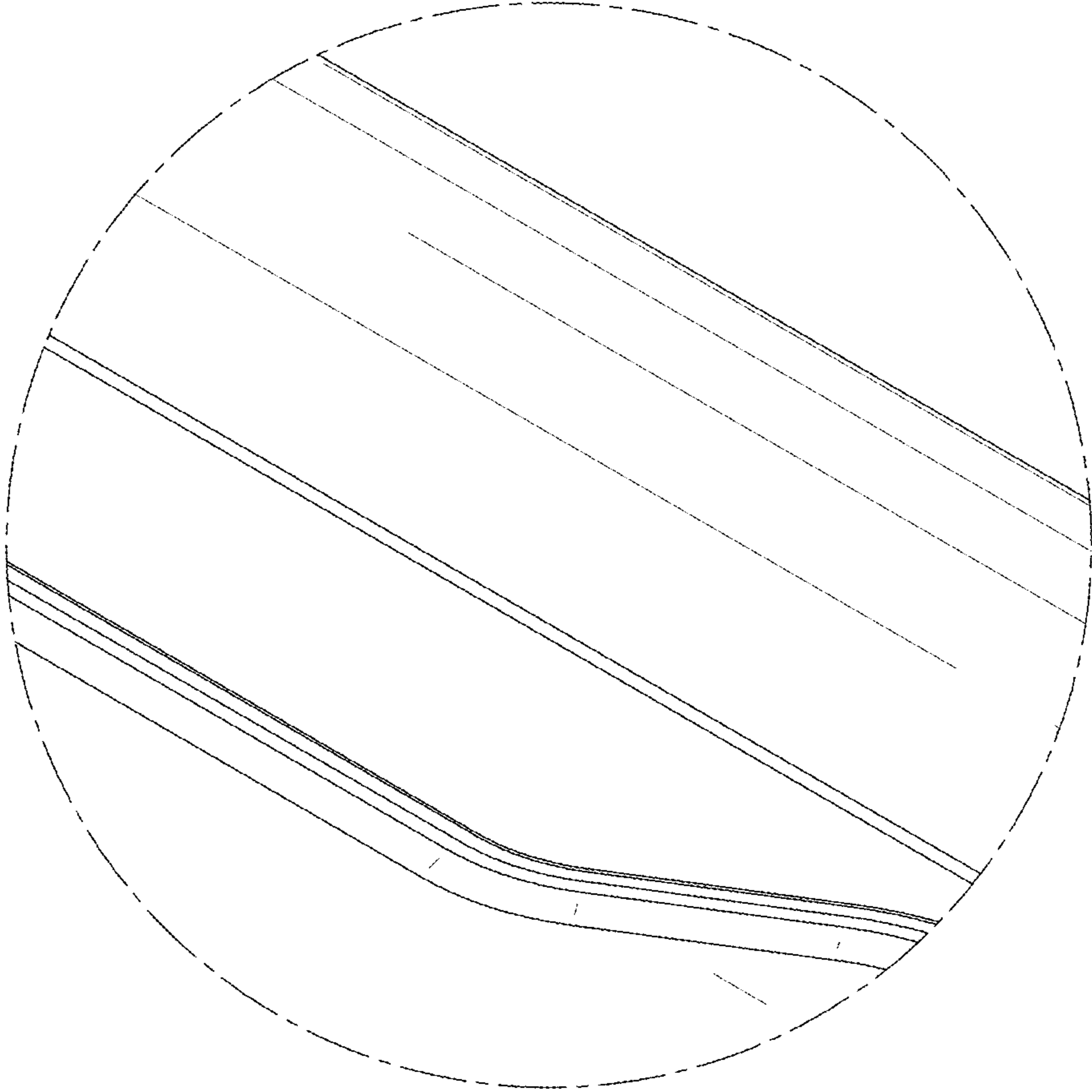


FIG. 9