



US00D902212S

(12) **United States Design Patent** (10) **Patent No.:** **US D902,212 S**
Sjögren et al. (45) **Date of Patent:** **** *Nov. 17, 2020**

(54) **DOCKING STATION**

(71) Applicant: **Axis AB**, Lund (SE)

(72) Inventors: **Jonas Sjögren**, Lund (SE); **Mathias Walter**, Lund (SE); **Anson Yang**, Shanghai (CN)

(73) Assignee: **AXIS AB**, Lund (SE)

(*) Notice: This patent is subject to a terminal disclaimer.

(**) Term: **15 Years**

(21) Appl. No.: **29/702,929**

(22) Filed: **Aug. 22, 2019**

(30) **Foreign Application Priority Data**

Feb. 27, 2019 (EM) 006269502

(51) **LOC (12) Cl.** **14-02**

(52) **U.S. Cl.**
USPC **D14/434**; D13/108; D16/242

(58) **Field of Classification Search**
USPC D14/356, 358, 432, 433, 434, 447, 149,
D14/168, 217, 224, 224.1, 238.1, 251,
D14/252, 253, 125, 126, 239, 392, 455;
D13/107, 108, 146; D16/237, 242
CPC G06F 1/16; G06F 1/1626; G06F 1/1632;
G06F 1/1675; G06F 1/1688; F16M 11/10;
F16M 11/24; H05K 5/0234; H04M 1/04
See application file for complete search history.

(56) **References Cited**

U.S. PATENT DOCUMENTS

D278,426 S * 4/1985 Lanci D13/107
D350,540 S * 9/1994 Hyvonen D13/108
D359,474 S * 6/1995 Palatov D13/108
D388,764 S * 1/1998 Bartling D13/107
D476,659 S 7/2003 Ying et al.
D532,365 S * 11/2006 Shen D13/107

D647,907 S * 11/2011 Perry D14/434
D749,042 S * 2/2016 Gecawicz D13/107
D780,116 S * 2/2017 Bing D13/107
D795,841 S * 8/2017 Mistry D14/217

(Continued)

FOREIGN PATENT DOCUMENTS

TW D145228 A 2/2012

OTHER PUBLICATIONS

Axis body worn solution—system highlights, YouTube online, post date Mar. 16, 2020, URL: https://www.youtube.com/watch?time_continue=27&v=sPplhaGMT3M&feature=emb_logo, retrieved Jul. 27, 2020.*

(Continued)

Primary Examiner — Angela J Lee
Assistant Examiner — Rebekah A Caruso
(74) *Attorney, Agent, or Firm* — Tucker Ellis LLP

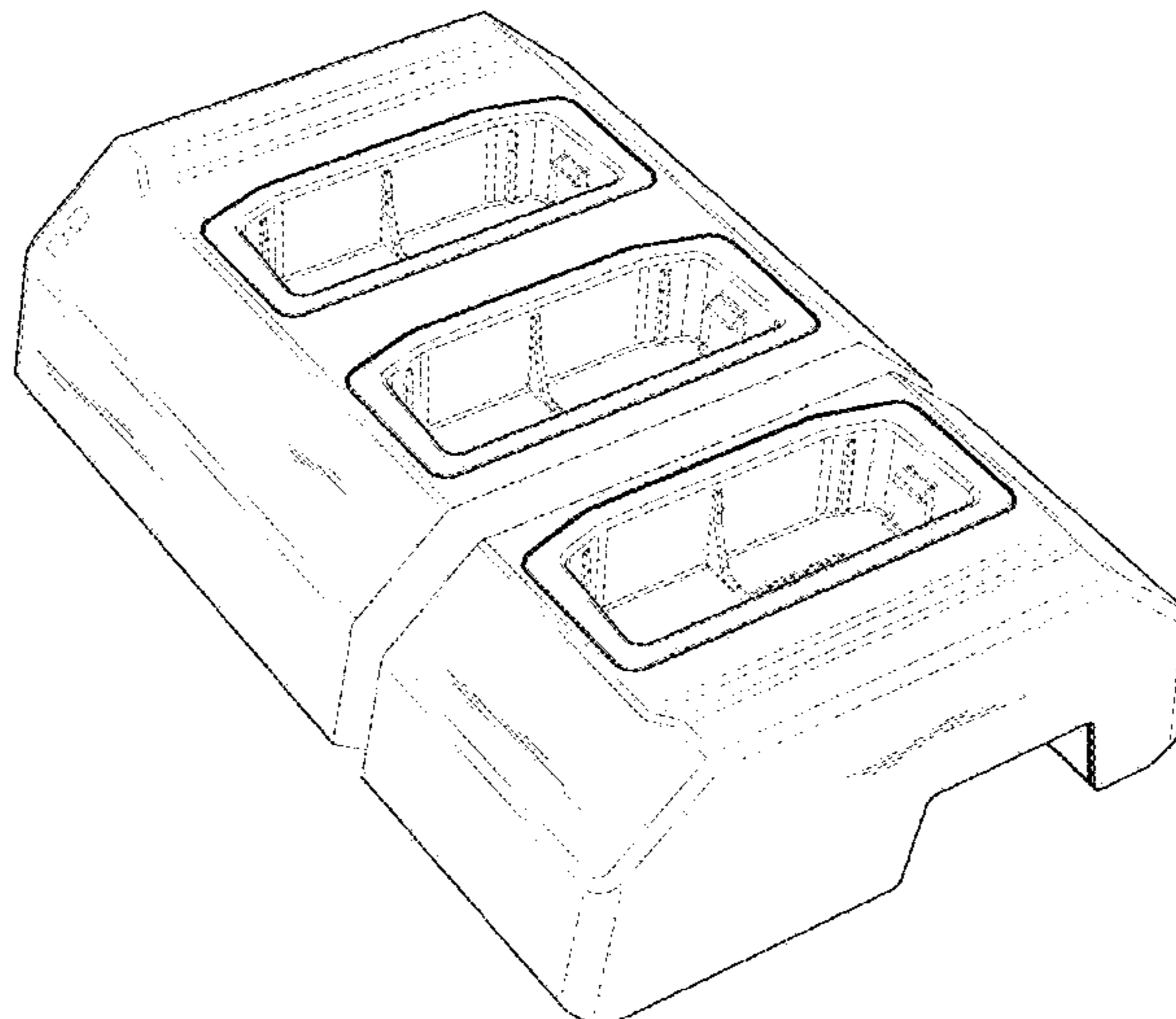
(57) **CLAIM**

The ornamental design for a docking station, as shown and described.

DESCRIPTION

FIG. 1 is a front-left-top perspective view of a docking station showing our new design; FIG. 2 is a front view thereof; FIG. 3 is a rear view thereof; FIG. 4 is a left side view thereof; FIG. 5 is a right side view thereof; FIG. 6 is a top view thereof; and, FIG. 7 is a bottom view thereof. The broken lines are for the purpose of illustrating portions of the docking station and form no part of the claimed design. The dash dot lines illustrate boundaries of the claimed design, wherein the dash dot lines and the portion between the dash dot lines forms no part of the claimed design.

1 Claim, 5 Drawing Sheets



(56)

References Cited

U.S. PATENT DOCUMENTS

D816,028	S	*	4/2018	Chen	D13/108
D820,783	S	*	6/2018	Gelder	D13/107
D833,451	S	*	11/2018	Paolizzi	D14/453
D866,460	S	*	11/2019	Komoni	D13/108
D868,074	S	*	11/2019	Paolizzi	D14/453
D884,610	S	*	5/2020	Heath	D13/107
D887,975	S	*	6/2020	O'Malley	D13/108
D894,906	S	*	9/2020	Li	D14/434
D896,227	S	*	9/2020	Sjogren	D14/434
D896,228	S	*	9/2020	Sjogren	D14/434
2011/0134601	A1	*	6/2011	Sa	G06F 1/1632 361/679.43

OTHER PUBLICATIONS

“T2 bodyworn camera released from Zepcam,” Zepcam T2 bodyworn camera docking station pictured therein, online, post date Mar. 22, 2017, URL: <https://www.securityworldmarket.com/me/News/Product-News/t2-bodyworn-camera-released-from-zepcam>, retrieved Jul. 27, 2020.*

Search Report from Taiwanese Design Patent Application No. 108305139, dated Apr. 15, 2020, 4 pages.

* cited by examiner

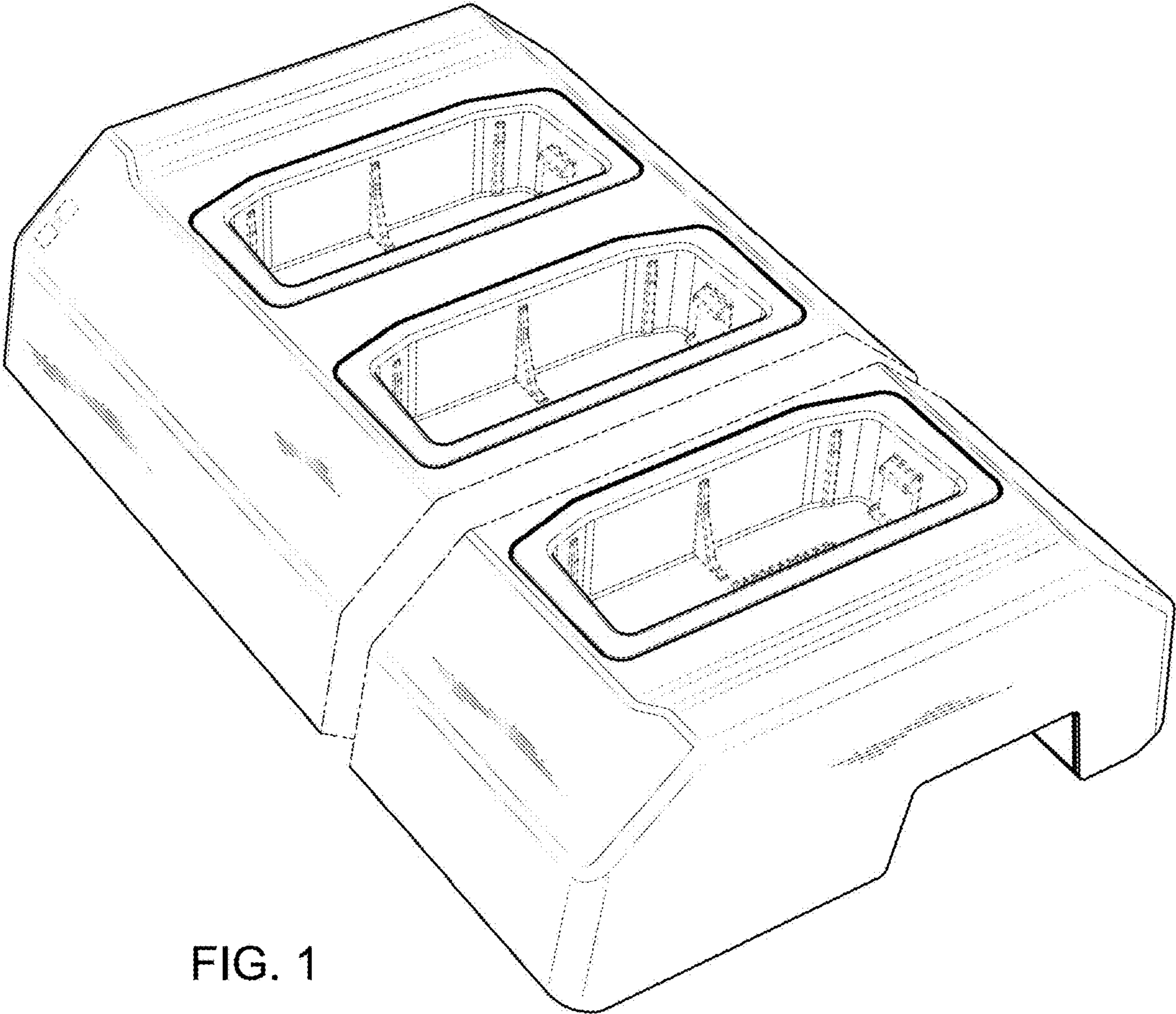


FIG. 1

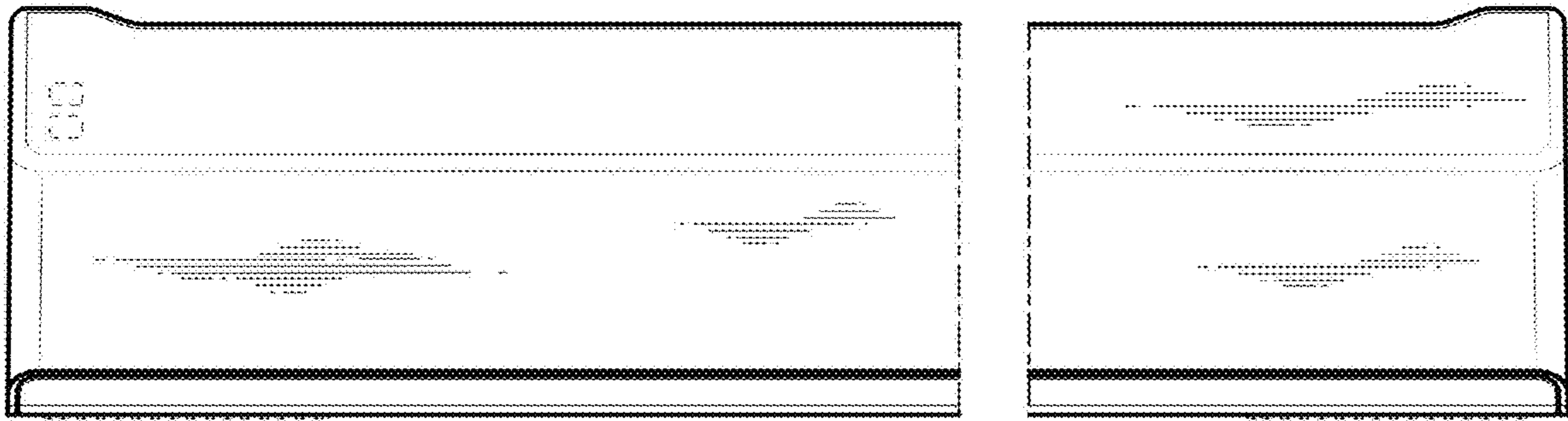


FIG. 2

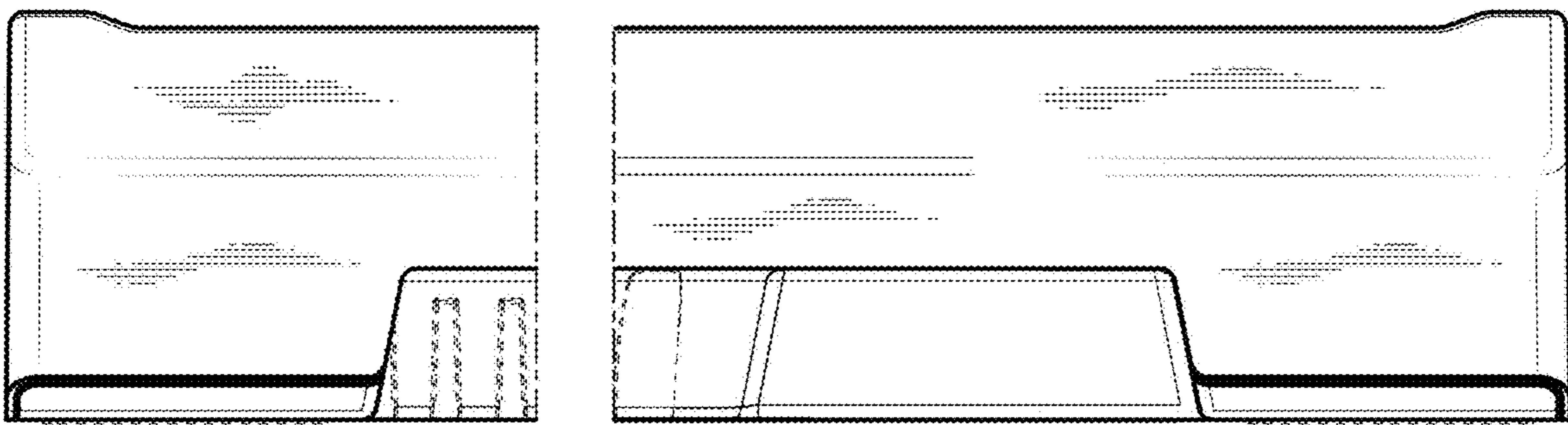


FIG. 3

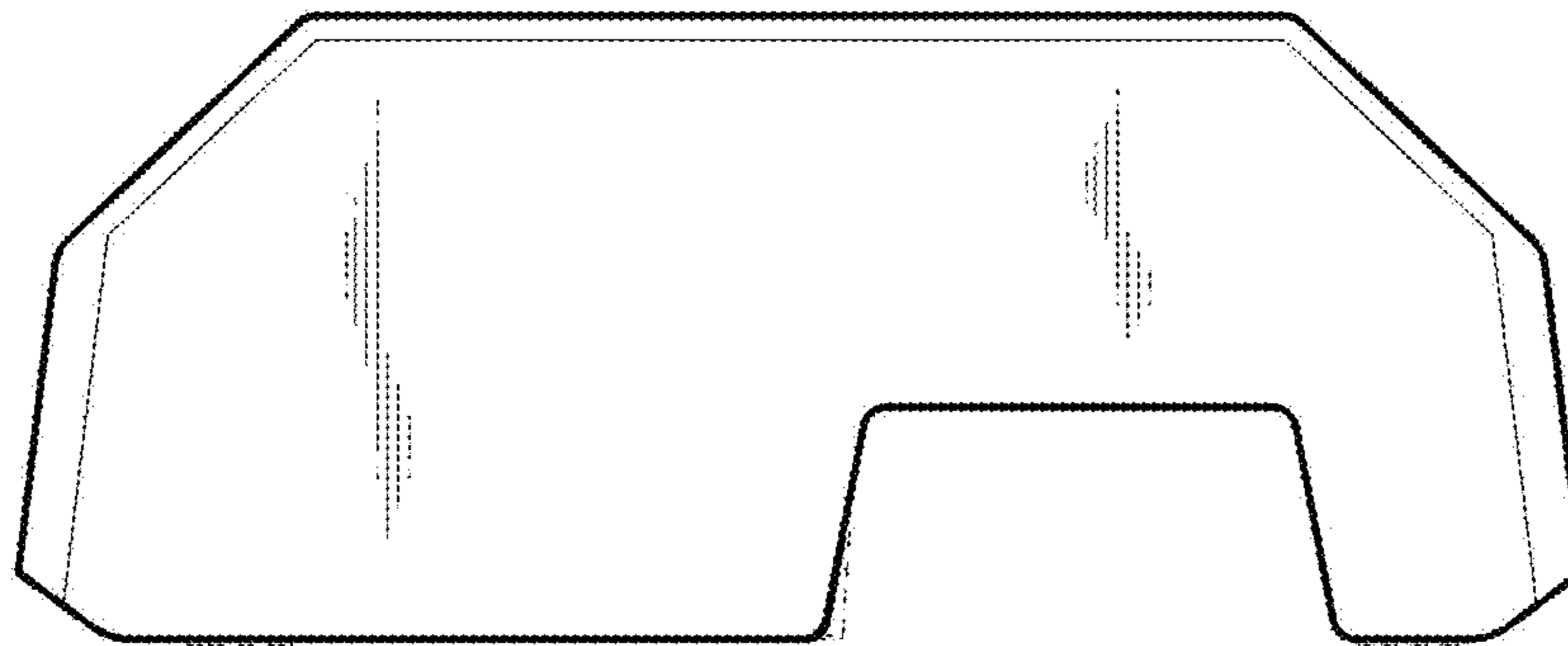


FIG. 4

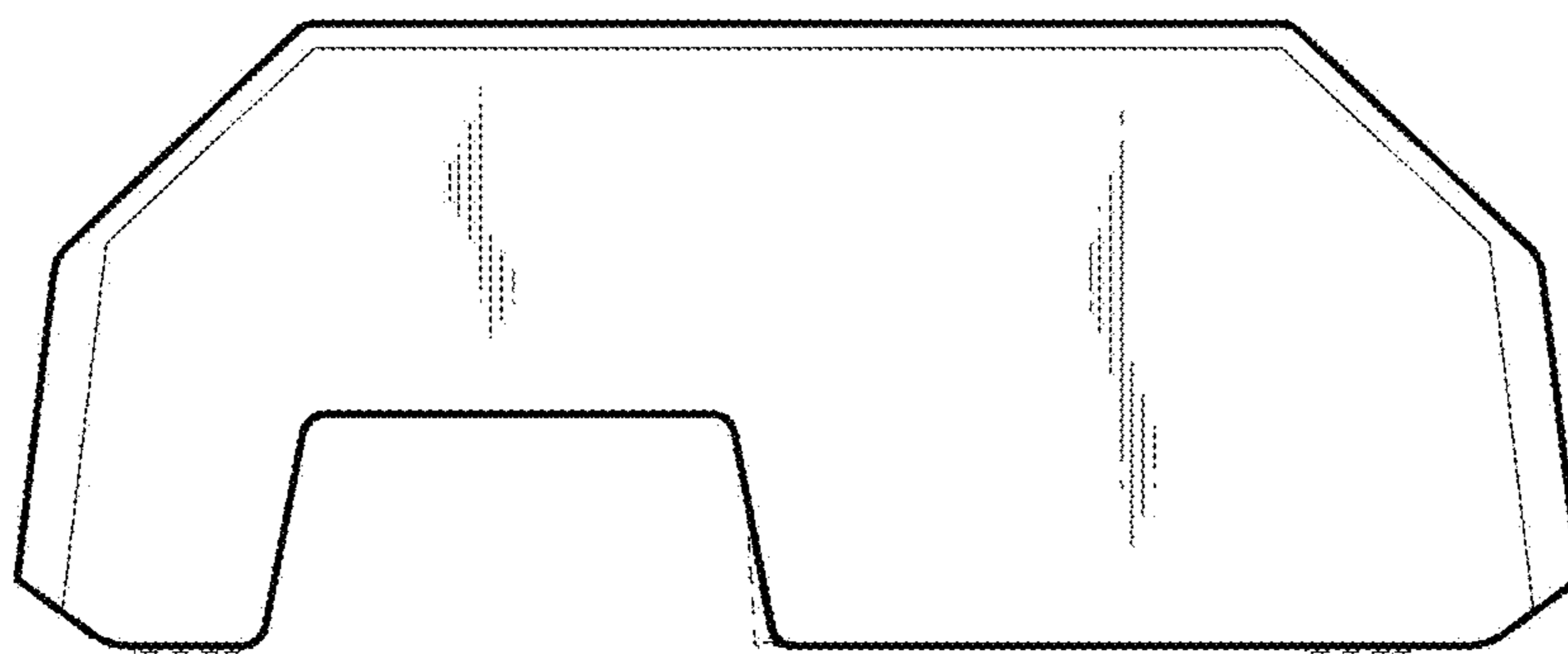


FIG. 5

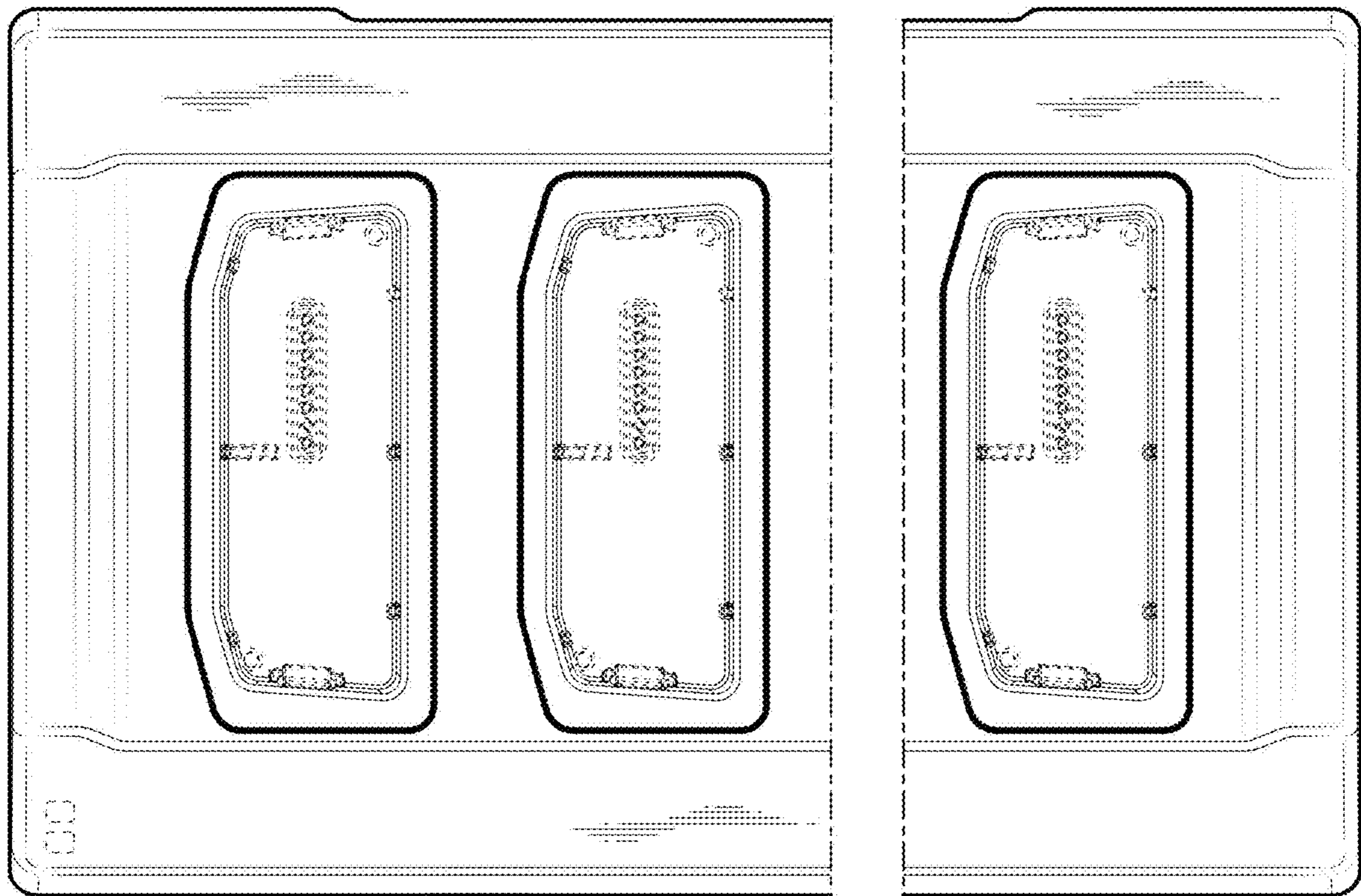


FIG. 6

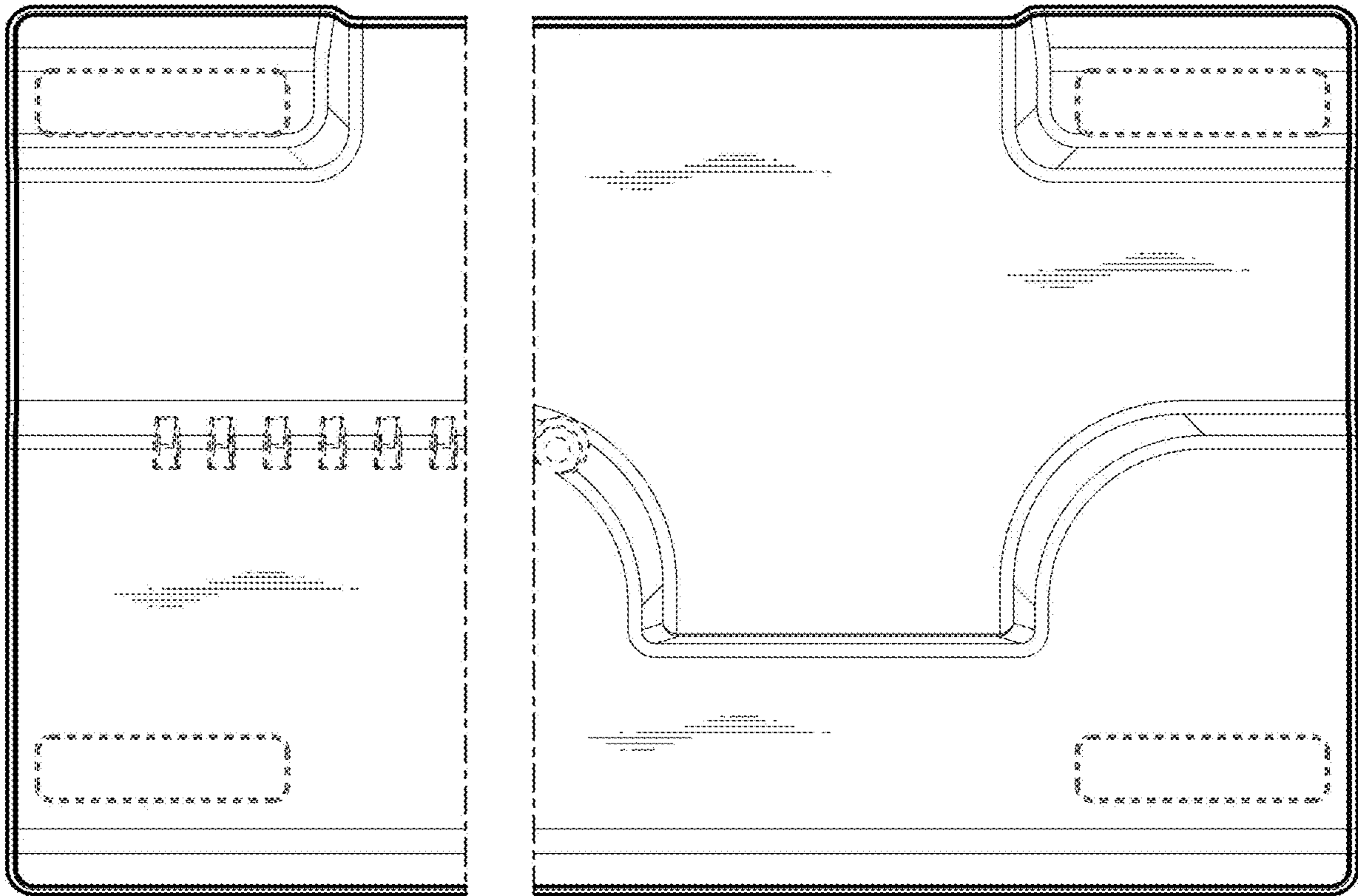


FIG. 7