



US00D902211S

(12) **United States Design Patent**
Jiang

(10) **Patent No.:** **US D902,211 S**

(45) **Date of Patent:** **** Nov. 17, 2020**

(54) **USB HUB**

(71) Applicant: **SHENZHEN BAIKERUI INDUSTRIAL CO., LTD**, Shenzhen (CN)

(72) Inventor: **Lifang Jiang**, Guangdong (CN)

(**) Term: **15 Years**

(21) Appl. No.: **29/701,035**

(22) Filed: **Aug. 8, 2019**

(51) **LOC (12) Cl.** **14-99**

(52) **U.S. Cl.**
USPC **D14/433**

(58) **Field of Classification Search**
USPC D14/433, 434, 435.1, 480.1-480.7, 436, D14/484.1, 155, 203.1-203.8, 240, 242, D14/133, 154; D13/107, 108
CPC G06F 13/122; G06F 13/382; G06F 13/385; G06F 13/4022; G06F 13/4282; G06F 1/1632; G06F 1/1684; H01R 25/006; H05K 5/0278; G06K 19/07732
See application file for complete search history.

(56) **References Cited**

U.S. PATENT DOCUMENTS

D413,574 S *	9/1999	Goto	D13/146
D718,735 S *	12/2014	Lockenwitz	D14/155
D838,241 S *	1/2019	Xie	D13/108
D864,209 S *	10/2019	Wang	D14/434
D868,784 S *	12/2019	Turksu	D14/385
D880,483 S *	4/2020	Fan	D14/433
D885,339 S *	5/2020	Duan	D13/110

D889,469 S *	7/2020	Zhang	D14/433
D890,151 S *	7/2020	Gao	D14/240
D893,486 S *	8/2020	Liao	D14/433
D894,828 S *	9/2020	Chen	D13/108
D895,625 S *	9/2020	Turksu	D14/433

OTHER PUBLICATIONS

Shenzhen Baikerui 11 in 1 USB-C Hub (DS-P01S), online, no post date, URL: <https://www.magbac.com/en/products/11-in-1-usb-c-hub-ds-p01s.html>, retrieved Sep. 8, 2020.*

* cited by examiner

Primary Examiner — Angela J Lee
Assistant Examiner — Rebekah A Caruso

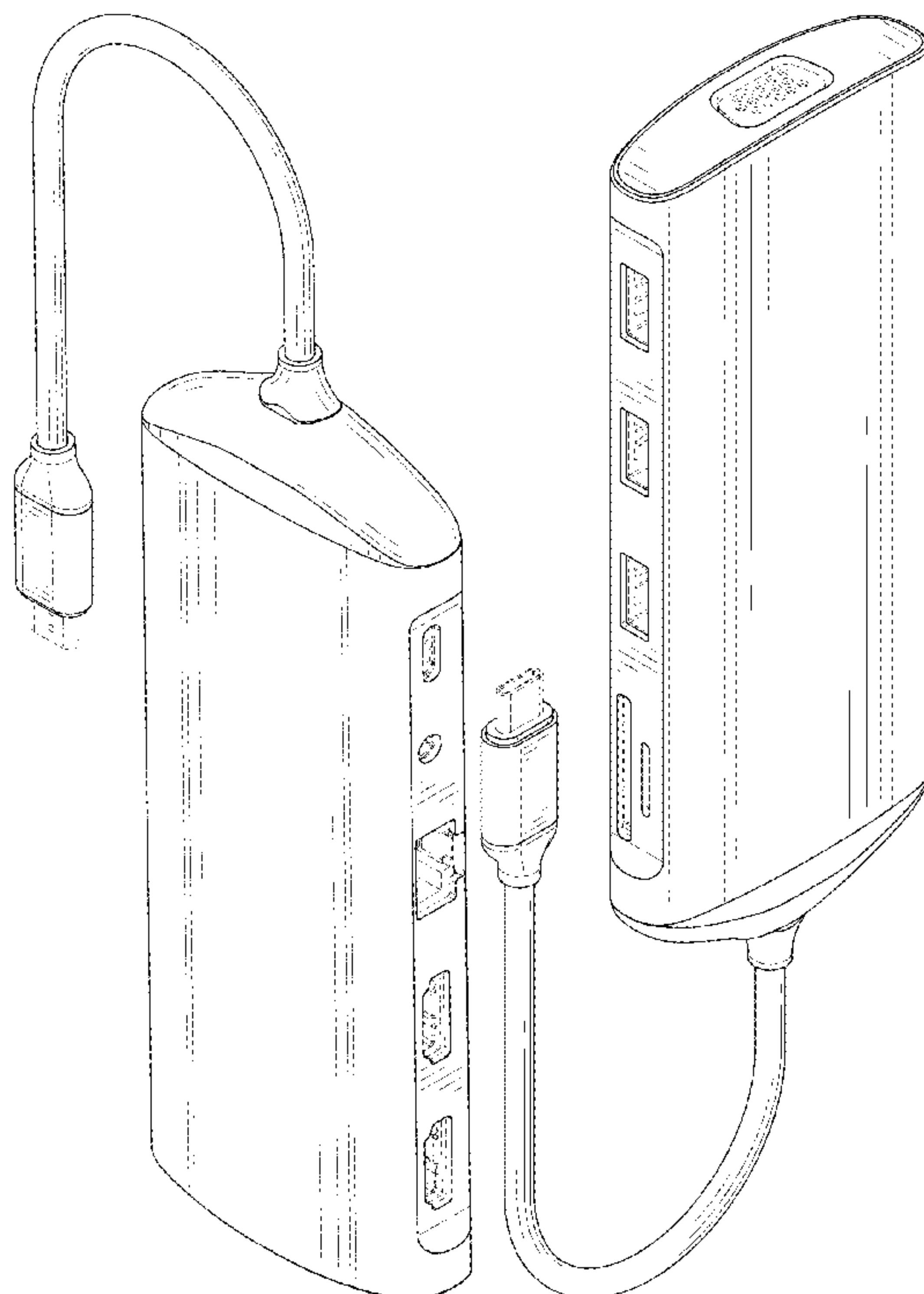
(57) **CLAIM**

The ornamental design for a USB hub, as shown and described.

DESCRIPTION

FIG. 1 is a front and top perspective view of a USB hub, showing my new design;
FIG. 2 is a back and bottom perspective view thereof;
FIG. 3 is a front view thereof;
FIG. 4 is a back view thereof;
FIG. 5 is a left side view thereof;
FIG. 6 is a right side view thereof;
FIG. 7 is a top view thereof; and,
FIG. 8 is a bottom view thereof.
The broken lines in the figures illustrate portions of the USB hub that form no part of the claimed design.

1 Claim, 8 Drawing Sheets



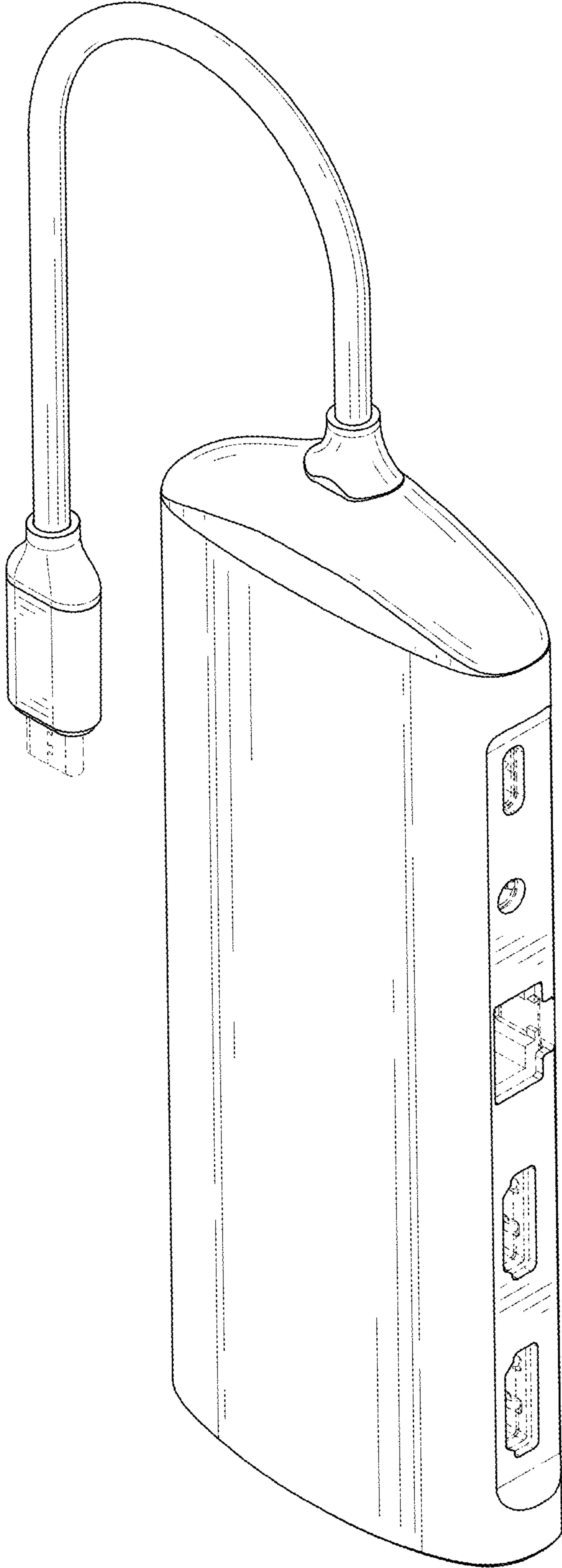


FIG. 1

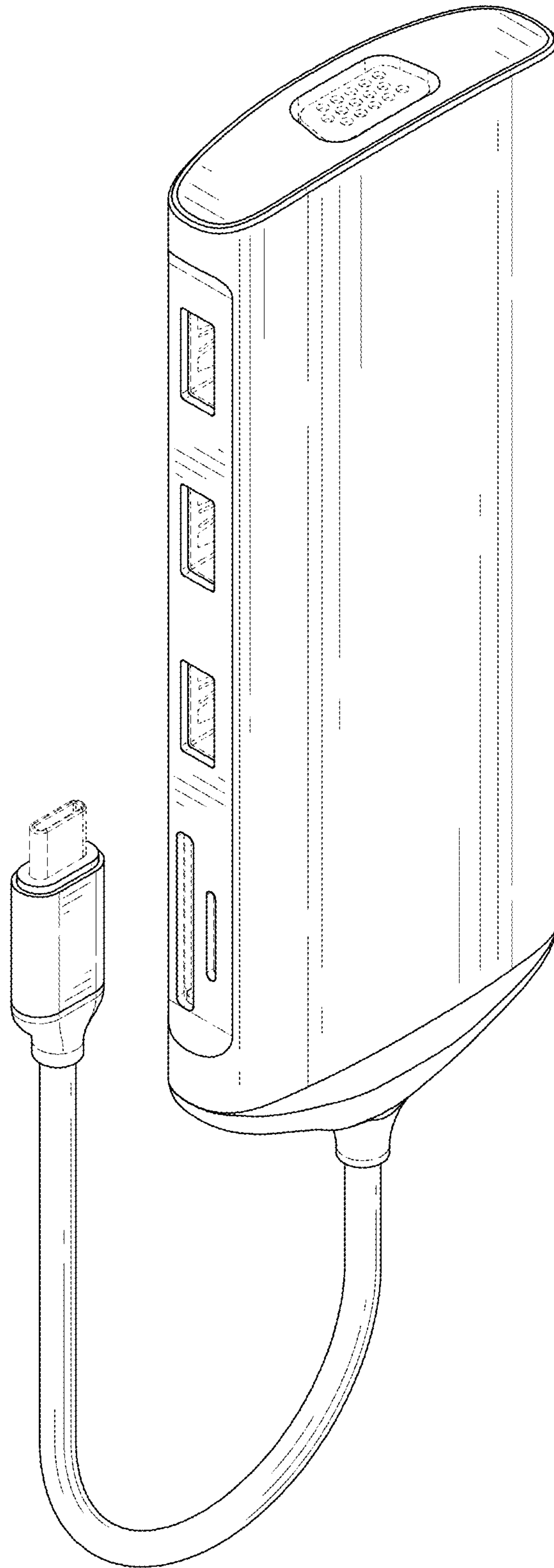


FIG. 2

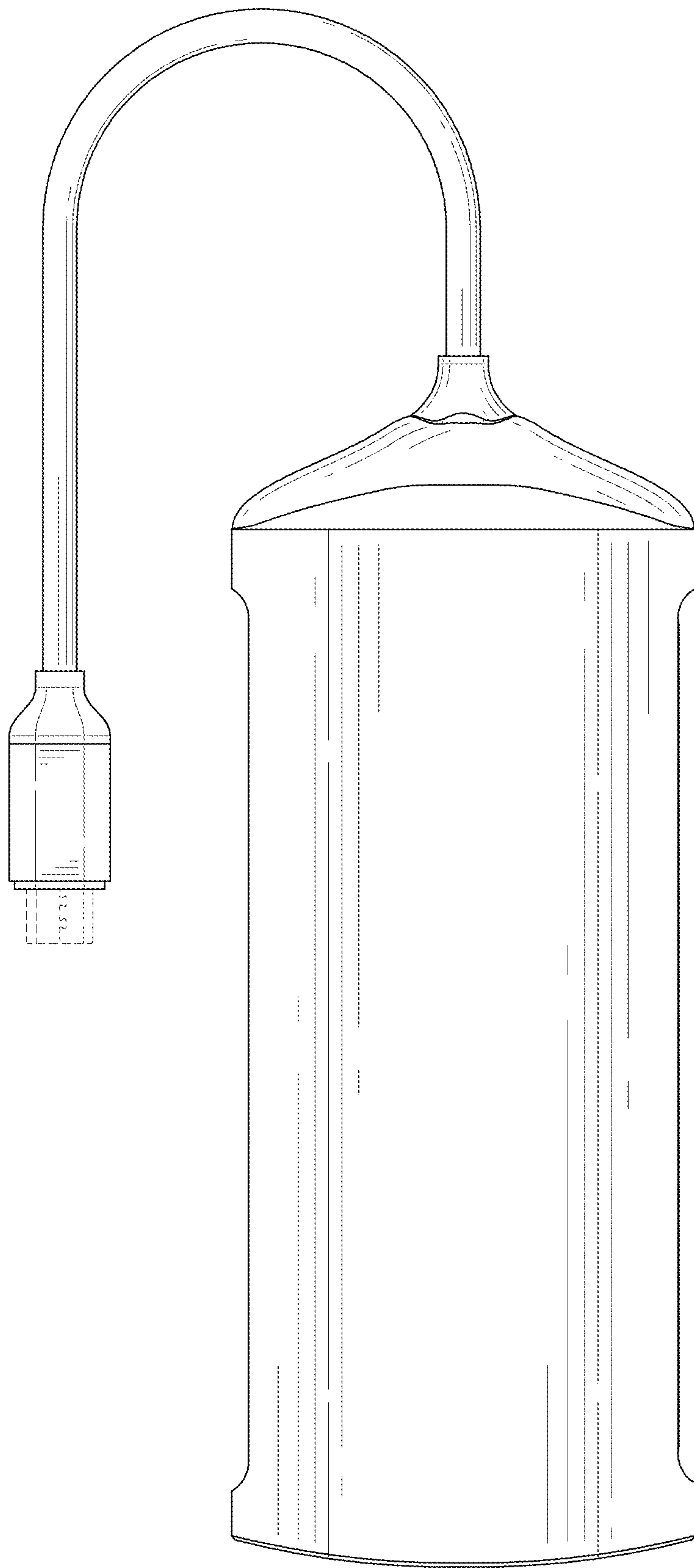


FIG. 3

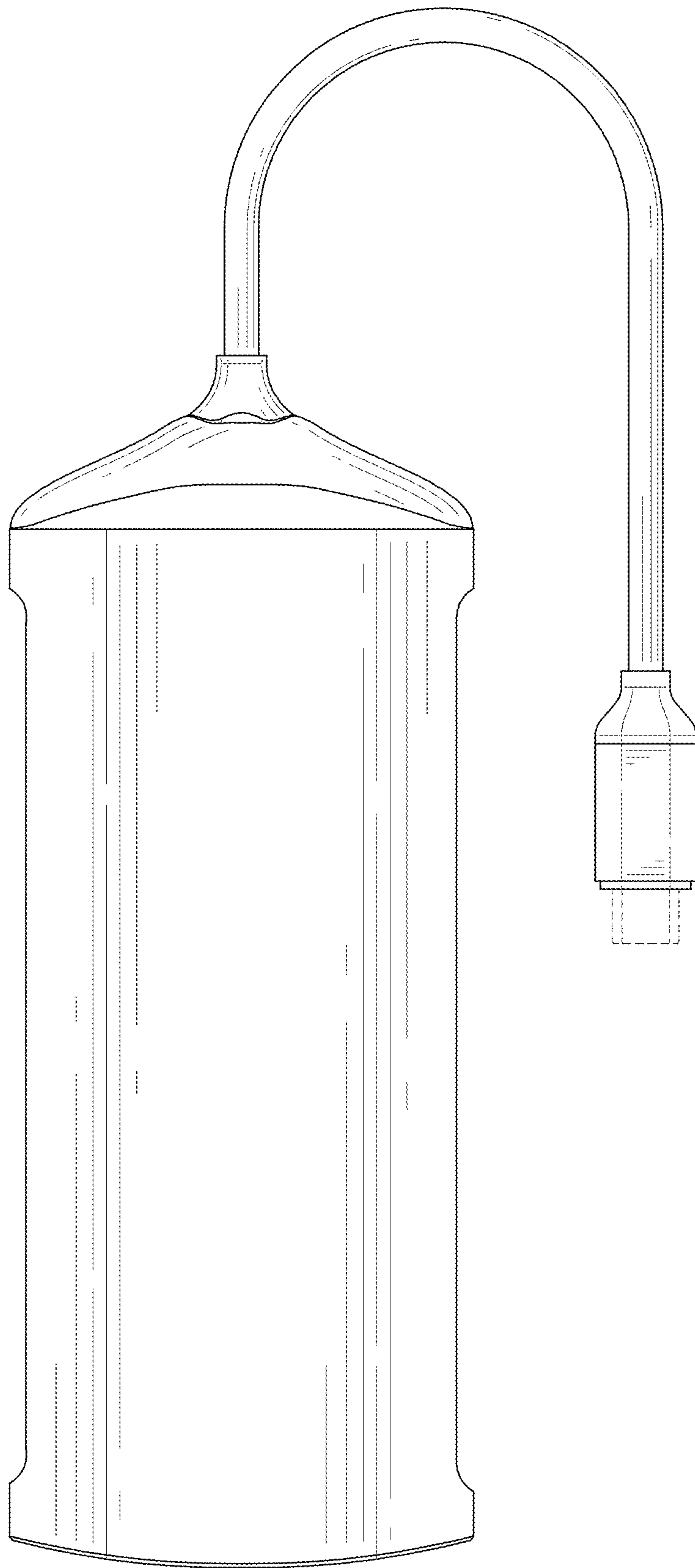


FIG. 4

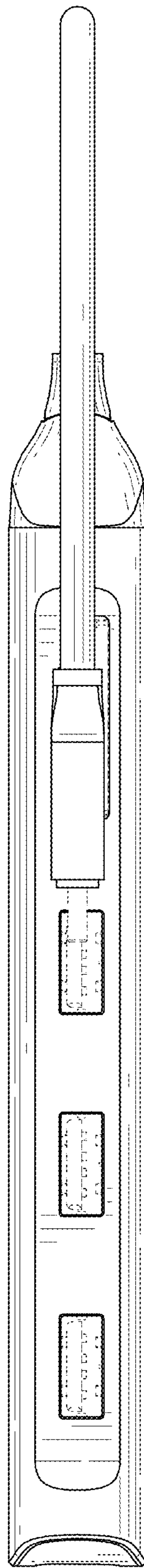


FIG. 5

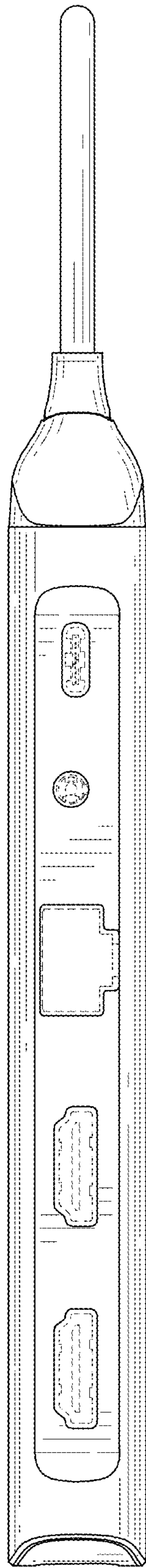


FIG. 6

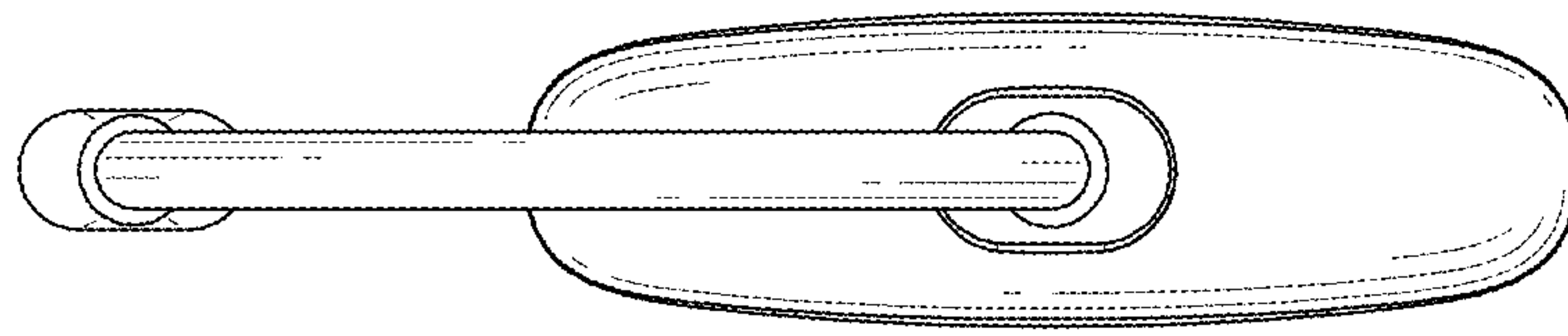


FIG. 7

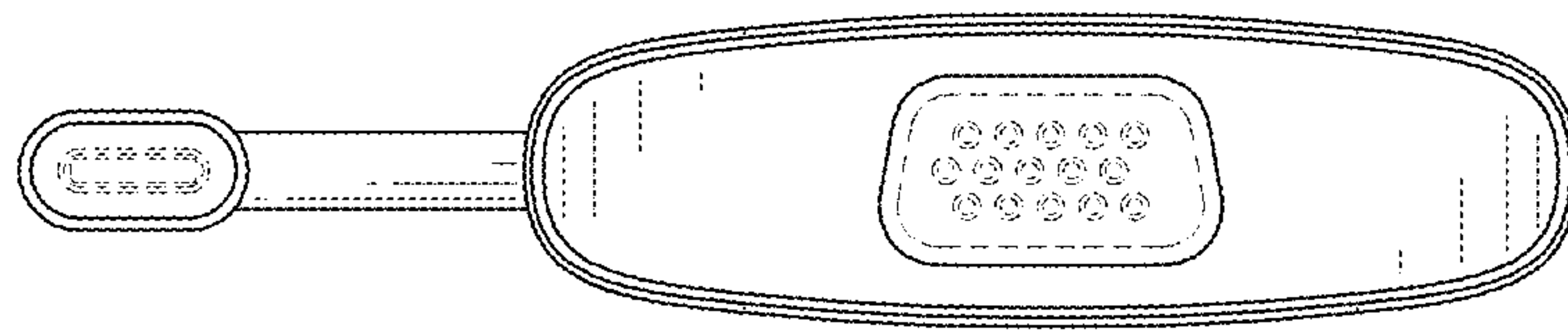


FIG. 8